

US00D663079S

(12) **United States Design Patent**  
**Greenwood et al.**

(10) **Patent No.:** **US D663,079 S**  
(45) **Date of Patent:** **\*\* Jul. 3, 2012**

- (54) **WILD BIRD FEEDER**
- (75) Inventors: **Mark Greenwood**, Arlington Heights, IL (US); **Larry Sternal**, Bartlett, IL (US); **Robert Krause**, Barrington Hills, IL (US)
- (73) Assignee: **Pets International, Ltd.**, Elk Grove Village, IL (US)
- (\*\*) Term: **14 Years**
- (21) Appl. No.: **29/412,599**
- (22) Filed: **Feb. 6, 2012**

3,399,650 A	9/1968	Goodman	
3,648,661 A *	3/1972	Moore	119/53
D228,769 S *	10/1973	Bower	D30/128
3,780,703 A *	12/1973	Boehland, Jr.	119/53
3,788,279 A *	1/1974	Boehland, Jr.	119/52.3
3,822,674 A *	7/1974	Tobin	119/53
3,948,220 A *	4/1976	Fiedler	119/51.03
D241,149 S *	8/1976	Miller et al.	D30/128
D244,098 S *	4/1977	Kilham	D30/128
4,030,451 A *	6/1977	Miller	119/57.9
4,031,856 A *	6/1977	Chester	119/57.9
D245,030 S *	7/1977	Fiedler	D30/128
4,102,308 A *	7/1978	Kilham	119/52.3
D252,162 S *	6/1979	Barry	D30/128
4,207,839 A *	6/1980	Barry	119/57.9
4,331,104 A *	5/1982	Clarke	119/52.3
D265,939 S *	8/1982	Kilham	D30/124

(Continued)

**Related U.S. Application Data**

- (62) Division of application No. 12/006,569, filed on Jan. 3, 2008.
- (51) **LOC (9) Cl.** ..... **30-03**
- (52) **U.S. Cl.** ..... **D30/128**
- (58) **Field of Classification Search** ..... D30/121, D30/124, 126-129, 133, 199, 110-112, 123, D30/125; 119/52.2, 51.5, 61.5, 57.8, 57.9, 119/52.3, 61.1, 531, 63, 428-435, 52.4, 55, 119/61.3, 69.5, 75, 76; 47/67, 83; 248/318; D11/164, 152; 211/128.1; D27/123; D6/495, D6/460, 461, 476, 405  
See application file for complete search history.

Primary Examiner — Susan Moon Lee

(74) *Attorney, Agent, or Firm* — Knechtel, Demeur & Samlan

(57) **CLAIM**

We claim the ornamental design for a wild bird feeder, as shown and described.

**DESCRIPTION**

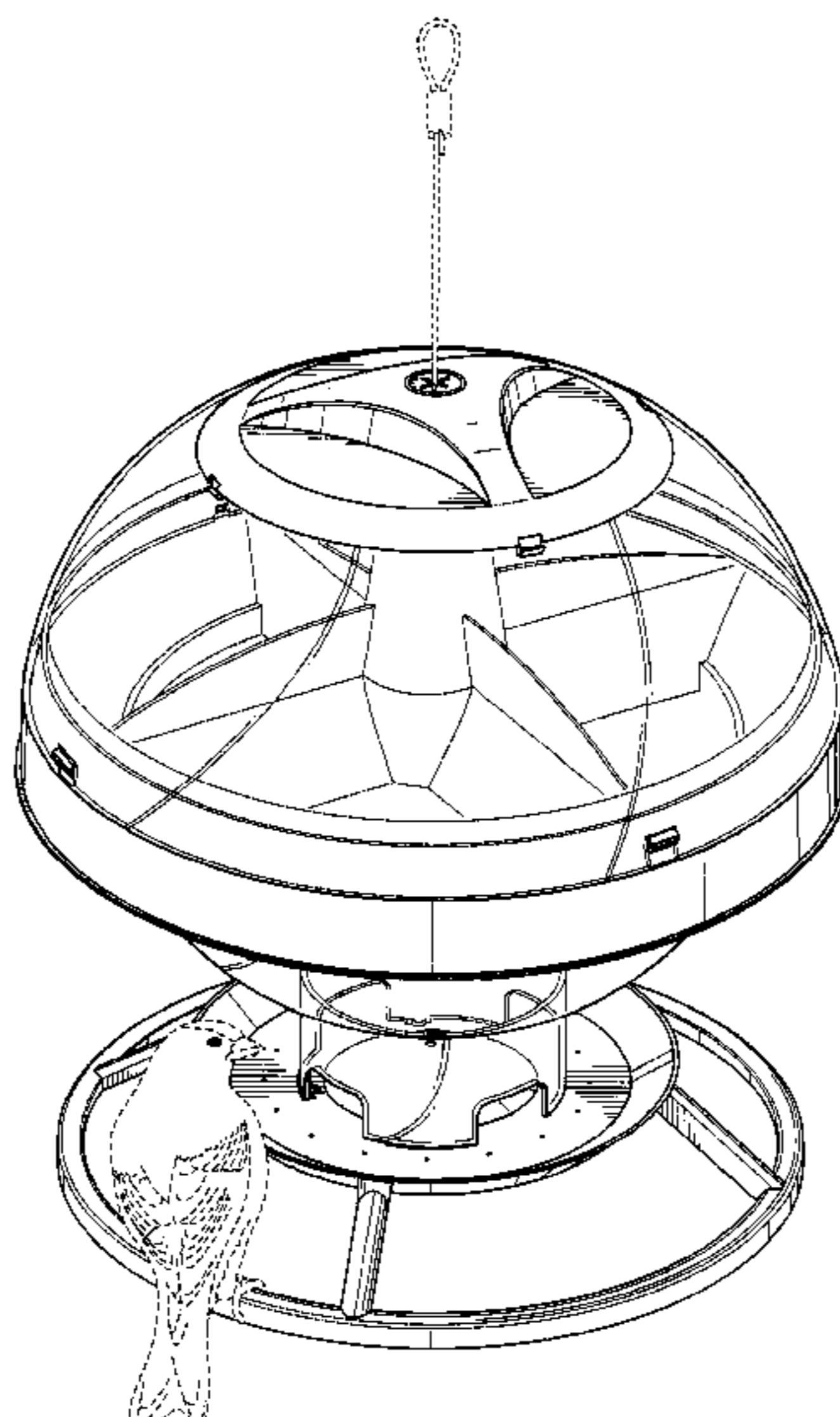
FIG. 1 is a side perspective view of a wild bird feeder showing the new design thereof;  
 FIG. 2 is an exploded side perspective view of the wild bird feeder with portions detached;  
 FIG. 3 is a top side elevational view of the wild bird feeder thereof;  
 FIG. 4 is a front side elevational view, taken along line 4-4 of FIG. 3, of the wild bird feeder thereof;  
 FIG. 5 is a back side elevational view, taken along line 5-5 of FIG. 3, of the wild bird feeder thereof; and,  
 FIG. 6 is a side perspective view, taken along line 6-6 of FIG. 3, of the wild bird feeder thereof.  
 The broken line portions are not claimed.

**1 Claim, 6 Drawing Sheets**

(56) **References Cited**

**U.S. PATENT DOCUMENTS**

D115,321 S *	6/1939	Pueschel	D30/128
D144,271 S *	3/1946	Stollsteimier	D30/125
D165,628 S	1/1952	Blazier	
2,786,446 A *	3/1957	Newman	119/52.2
2,856,898 A *	10/1958	Doubleday et al.	119/57.9
2,866,435 A	12/1958	Blazier	
3,182,635 A *	5/1965	Waite	119/57.9
3,244,150 A	4/1966	Blair	



# US D663,079 S

Page 2

## U.S. PATENT DOCUMENTS

4,361,116	A *	11/1982	Kilham	119/51.01	D483,529	S	12/2003	Fort, II	
4,462,337	A *	7/1984	Kilham	119/57.9	6,679,197	B1	1/2004	Reilly	
D277,703	S *	2/1985	Kilham	D30/128	D486,278	S *	2/2004	Nauert	D30/199
D278,166	S	3/1985	Kilham		D490,576	S *	5/2004	Rich et al.	D30/128
4,732,112	A	3/1988	Fenner et al.		6,834,616	B2 *	12/2004	Fort, II	119/57.8
4,798,172	A *	1/1989	Clarke	119/57.9	6,866,004	B1	3/2005	Lush	
D299,770	S	2/1989	Coffer		D504,547	S *	4/2005	Nauert	D30/199
4,821,681	A *	4/1989	Tucker	119/51.01	6,877,459	B2	4/2005	Ruff	
4,917,050	A *	4/1990	Clarke	119/52.3	6,901,882	B2	6/2005	Kuelbs	119/452
4,940,019	A *	7/1990	Coffer	119/52.2	6,986,322	B2 *	1/2006	Lumpkin et al.	119/52.3
5,044,319	A *	9/1991	Blasbalg	119/57.9	7,032,538	B1	4/2006	Lush	
5,095,847	A *	3/1992	Coffer	119/52.2	7,040,251	B2	5/2006	Fort, II	
5,150,665	A *	9/1992	Boaz	119/52.3	7,096,821	B2	8/2006	Ruff	
D335,006	S *	4/1993	Blasbalg	D30/127	7,131,395	B1	11/2006	Lush	
D343,030	S	1/1994	Harwick, Jr.		7,162,975	B1 *	1/2007	Nauert	119/72
D351,262	S	10/1994	Fasino		7,185,605	B1 *	3/2007	Lush	119/52.2
5,361,723	A	11/1994	Burleigh		7,237,507	B1 *	7/2007	Colwell	119/51.01
D360,496	S *	7/1995	Norman	D30/124	7,275,500	B2 *	10/2007	Fort, II	119/57.8
5,533,467	A *	7/1996	Lancia	119/57.9	D566,344	S *	4/2008	Schatz	D30/124
5,558,040	A	9/1996	Colwell et al.		7,409,922	B1 *	8/2008	Baynard et al.	119/52.3
D383,878	S *	9/1997	Merino et al.	D30/124	7,503,282	B1 *	3/2009	Lush	119/52.2
5,791,286	A	8/1998	Taussig et al.	119/52.3	D603,567	S *	11/2009	Chen et al.	D30/124
6,047,661	A	4/2000	Lush		7,654,225	B2 *	2/2010	Madsen et al.	119/52.3
6,067,934	A	5/2000	Harwich		D612,549	S *	3/2010	Garcia-Lucio et al.	D30/128
6,073,582	A	6/2000	Lush		7,921,808	B2 *	4/2011	Frazier	119/52.2
D429,852	S *	8/2000	Hogarty	D30/128	D649,299	S *	11/2011	Lush	D30/127
6,155,205	A *	12/2000	Coates	119/57.9	D652,175	S *	1/2012	Schatz	D30/124
6,269,769	B1	8/2001	Wenstrand		D652,260	S *	1/2012	Miller	D7/592
D452,048	S *	12/2001	Colwell	D30/119	2003/0197013	A1	10/2003	Conti et al.	
6,360,690	B1 *	3/2002	Canby	119/52.2	2005/0005865	A1	1/2005	Rich et al.	
6,427,629	B1	8/2002	Lush		2006/0201062	A1	9/2006	Ruff	
6,439,158	B1	8/2002	Blohm		2006/0207512	A1	9/2006	Fort, II	
6,463,878	B1 *	10/2002	Moody	119/57.9	2006/0288944	A1	12/2006	Hoff	
6,532,896	B1	3/2003	Hurlbert		2008/0102197	A1 *	5/2008	Chen et al.	427/157

\* cited by examiner

Fig. 1

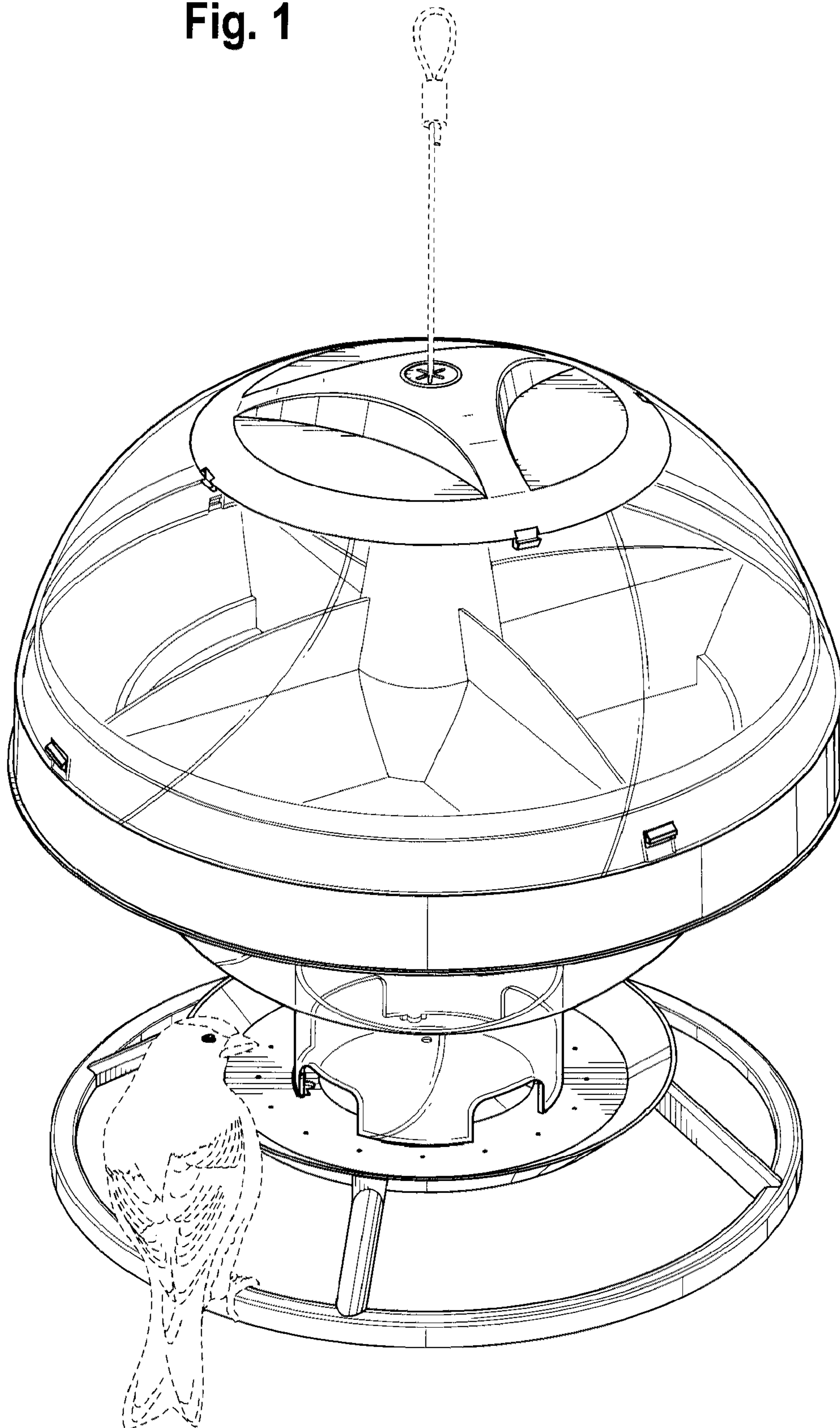


Fig. 2

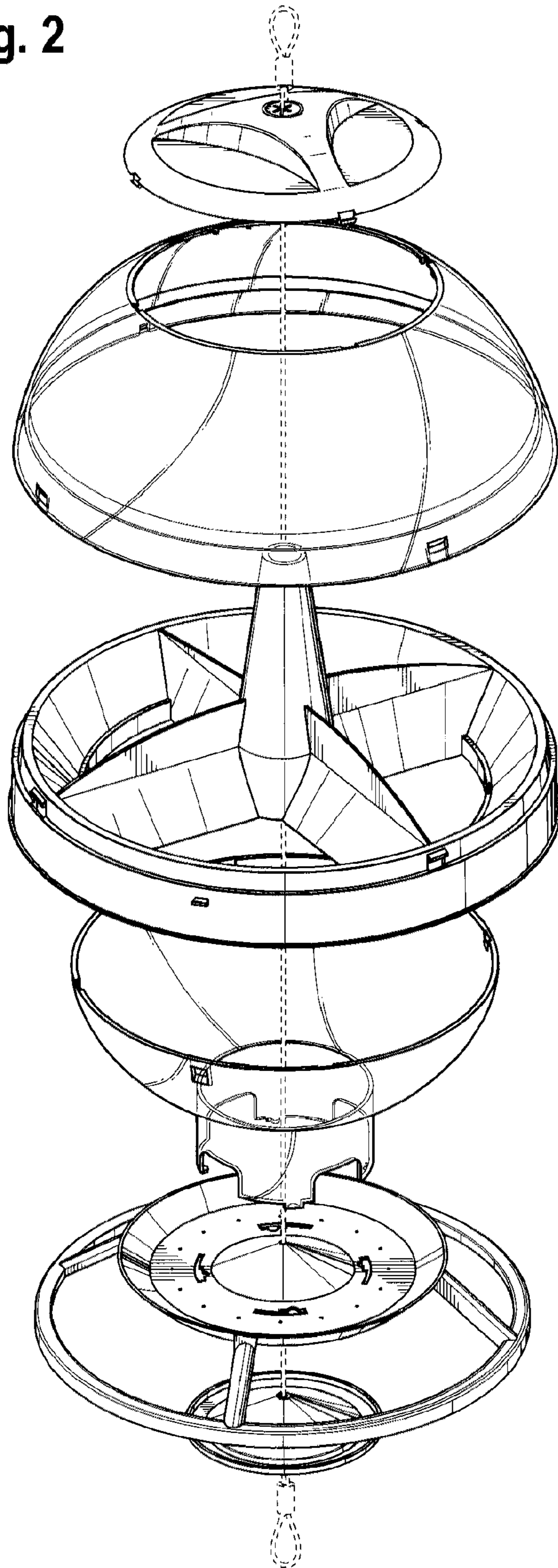


Fig. 3

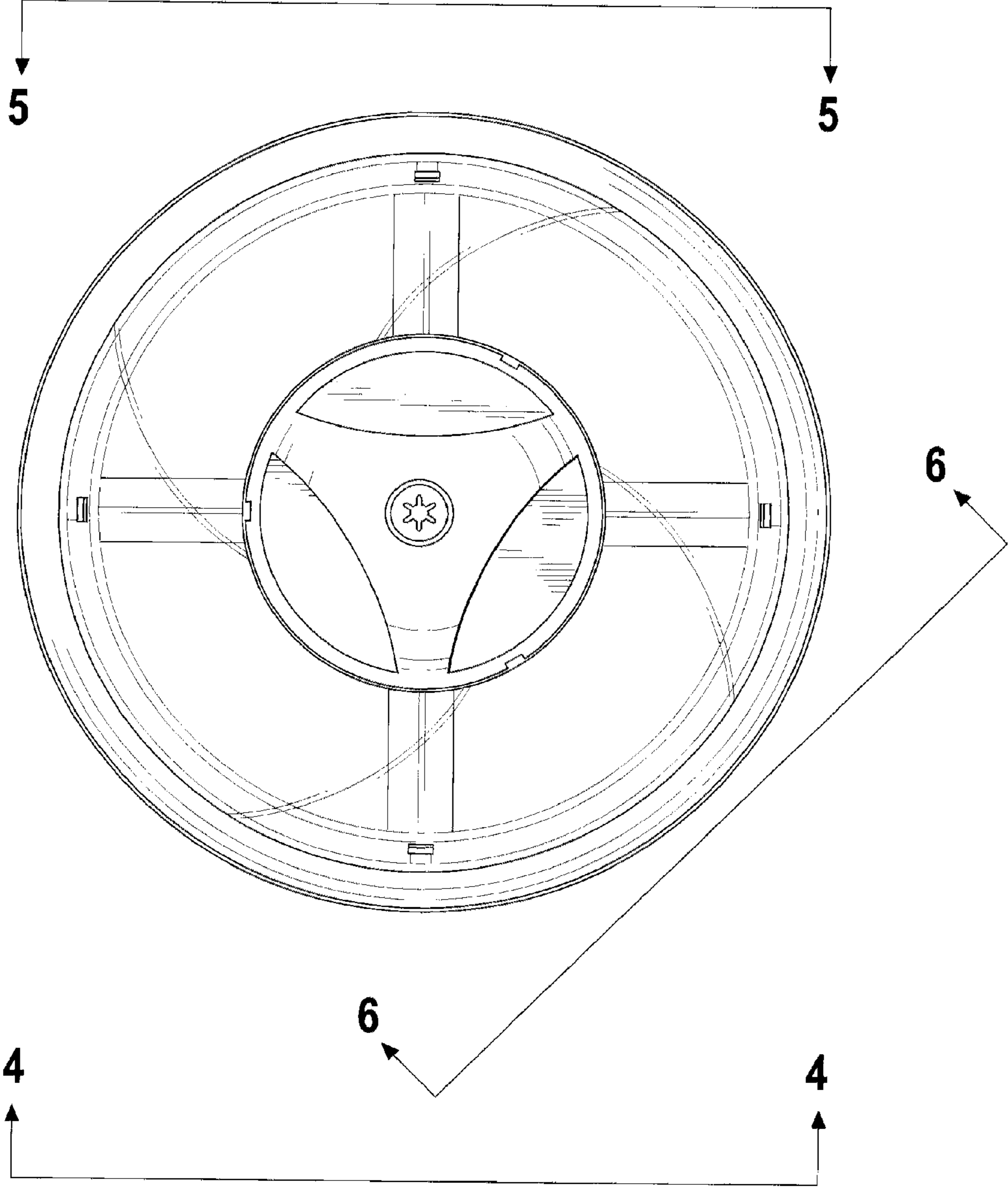


Fig. 4

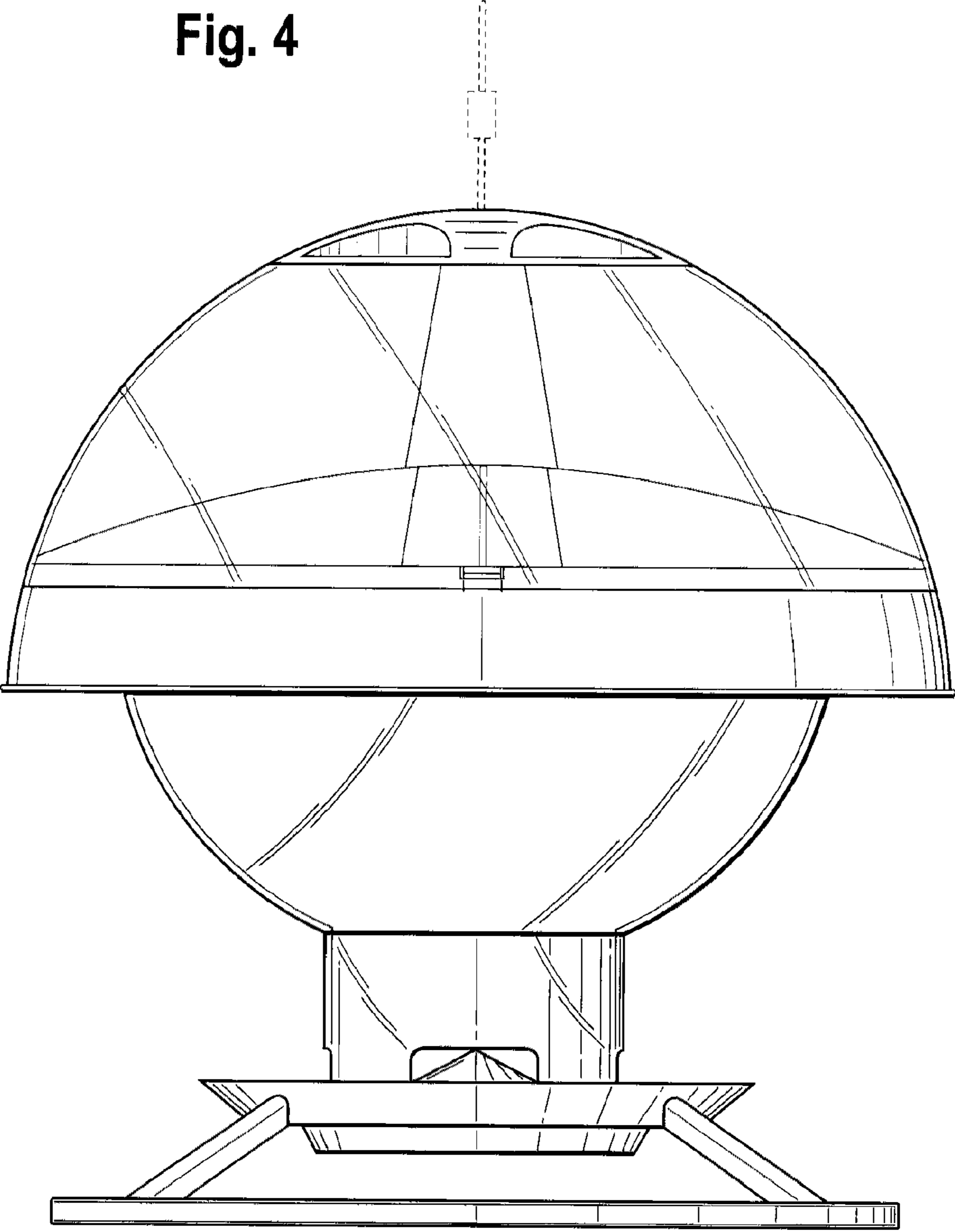


Fig. 5

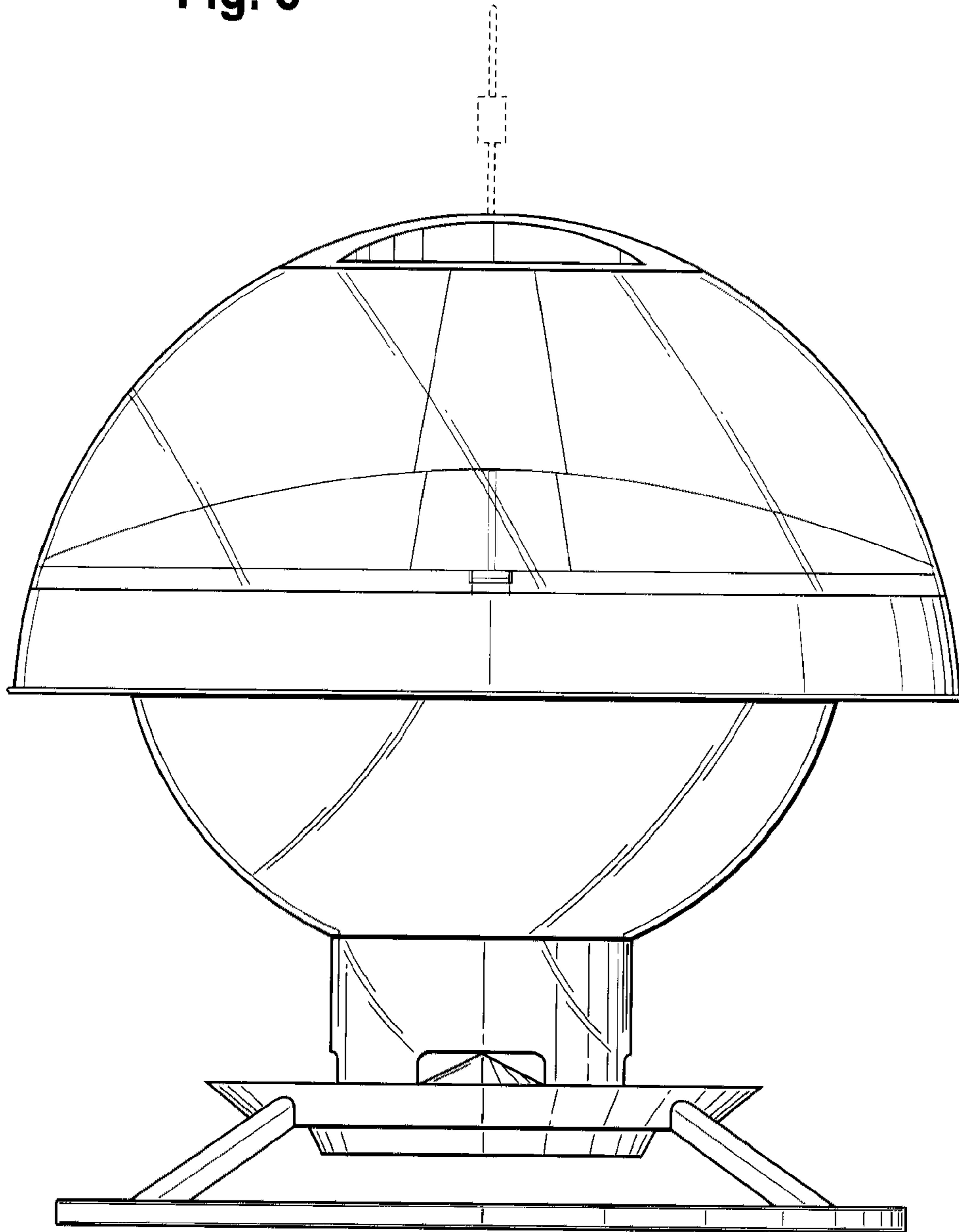


Fig. 6

