



US00D663078S

(12) **United States Design Patent**
Greenwood et al.

(10) **Patent No.:** **US D663,078 S**
(45) **Date of Patent:** **** Jul. 3, 2012**

(54) **THISTLE BIRD FEEDER**

(75) Inventors: **Mark Greenwood**, Arlington Heights, IL (US); **Larry Sternal**, Bartlett, IL (US); **Robert Krause**, Barrington Hills, IL (US)

(73) Assignee: **Pets International, Ltd.**, Elk Grove Village, IL (US)

(**) Term: **14 Years**

(21) Appl. No.: **29/407,934**

(22) Filed: **Dec. 5, 2011**

Related U.S. Application Data

(62) Division of application No. 12/006,568, filed on Jan. 3, 2008, now abandoned.

(51) **LOC (9) Cl.** **30-03**

(52) **U.S. Cl.** **D30/127; D30/128**

(58) **Field of Classification Search** D30/121, D30/124-128, 133, 110-112, 115, 117, 119; 119/51.01, 52.1-52.4, 57.8-57.9, 53, 428-429, 119/433-435, 469, 468, 459; D26/67, 72, D26/118, 84-91; 362/152, 153, 159, 183, 362/266, 363, 431, 432, 161, 163, 179-182, 362/313-316, 373, 392, 399, 810; 84/402, 84/404; D10/118.1, 118.2, 119.2; D11/115, D11/139; 446/421; 116/169

See application file for complete search history.

(56) **References Cited**

U.S. PATENT DOCUMENTS

864,461 A * 8/1907 Gibbs 116/169
(Continued)

FOREIGN PATENT DOCUMENTS

CA 2500058 A1 9/2006
(Continued)

Primary Examiner — Susan Moon Lee

(74) *Attorney, Agent, or Firm* — Knechtel, Demeur & Samlan

(57) **CLAIM**

We claim the ornamental design for a thistle bird feeder, as shown and described.

DESCRIPTION

FIG. 1 is a side perspective view of a thistle bird feeder showing the new design thereof;

FIG. 2 is a side perspective view of the thistle bird feeder with portions detached, as viewed from the bottom thereof;

FIG. 3 is an exploded side perspective view of the thistle bird feeder with portions detached, as viewed from the top thereof;

FIG. 4 is a front side elevational view of the thistle bird feeder thereof;

The left side elevational view, the right side elevational view, and the rear side elevational view of the thistle bird feeder are a mirror image of the front side elevational view.

FIG. 5 is a top view of the thistle bird feeder thereof;

FIG. 6 is a bottom view of the thistle bird feeder thereof;

FIG. 7 is a side perspective view of an alternate embodiment for the thistle bird feeder thereof;

FIG. 8 is a side perspective view of the alternate embodiment for the thistle bird feeder with portions detached, as viewed from the bottom thereof;

FIG. 9 is an exploded side perspective view of the alternate embodiment for the thistle bird feeder with portions detached, as viewed from the top thereof;

FIG. 10 is a front side elevational view of the alternate embodiment for the thistle bird feeder thereof;

The back side elevational view of the alternate embodiment for the thistle bird feeder is a mirror image of the front side elevational view.

FIG. 11 is a left side elevational view of the alternate embodiment for the thistle bird feeder thereof;

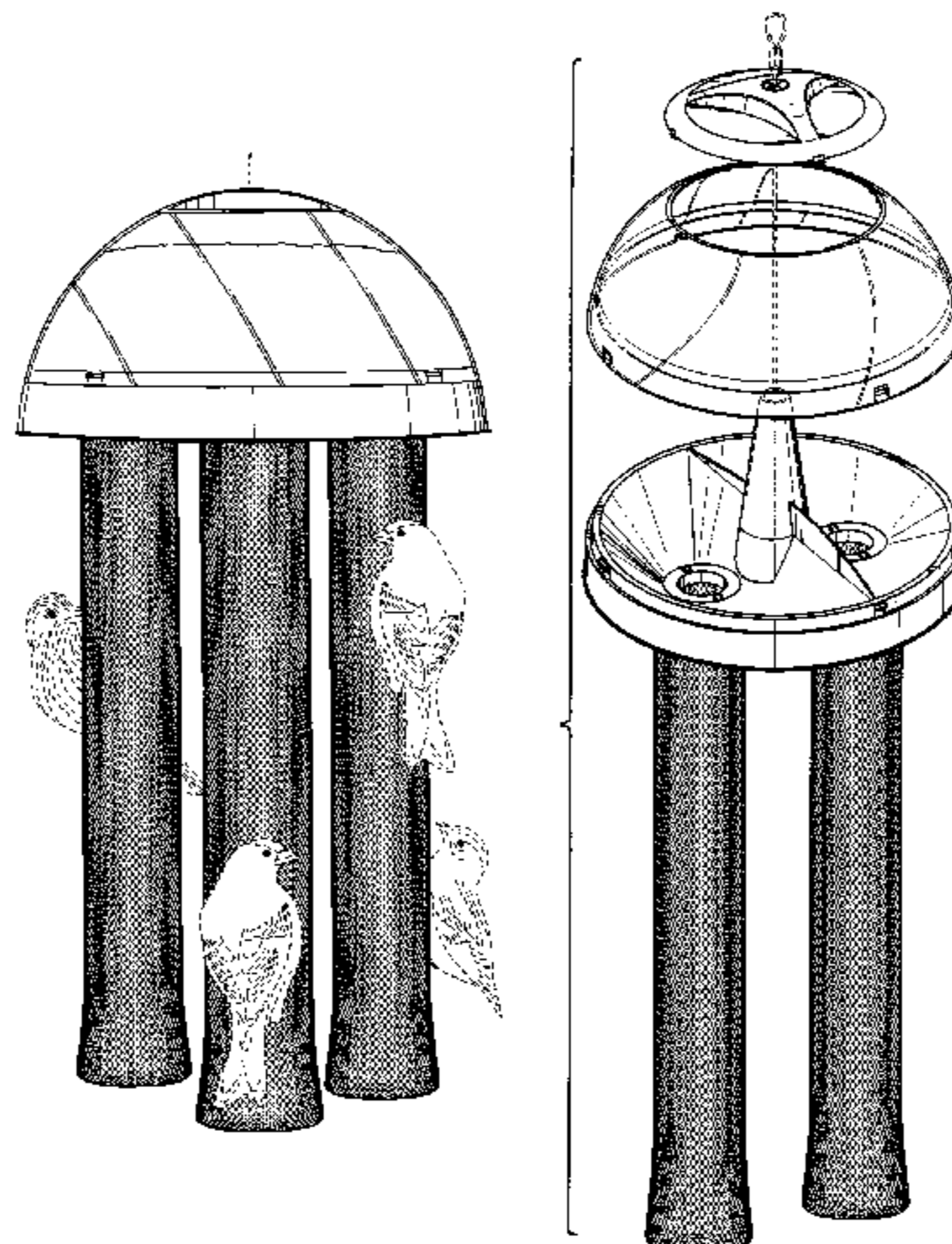
The right side elevational view of the alternate embodiment for the thistle bird feeder is a mirror image of the left side elevational view.

FIG. 12 is a top view of the alternate embodiment for the thistle bird feeder thereof; and,

FIG. 13 is a bottom view of the alternate embodiment for the thistle bird feeder thereof.

The broken line portions are not claimed.

1 Claim, 6 Drawing Sheets



US D663,078 S

Page 2

U.S. PATENT DOCUMENTS

978,761 A 12/1910 Leadbetter 119/65
D73,675 S * 10/1927 Solomon D26/88
1,772,673 A 8/1930 MacDonald 24/713
D81,960 S * 9/1930 Dickson D30/124
D100,939 S * 8/1936 D'aschbach D11/121
2,116,699 A * 5/1938 Hall 119/54
D120,852 S * 6/1940 Bishop D30/124
2,296,000 A * 9/1942 Ojalvo 472/132
2,344,367 A * 3/1944 Pueschel 119/52.3
2,513,565 A * 7/1950 Johnson 362/332
D165,628 S 1/1952 Blazier
2,866,435 A 12/1958 Blazier
D193,558 S * 9/1962 Parry D30/127
D198,539 S * 6/1964 Freed D26/70
3,212,713 A * 10/1965 Chatten 239/17
3,244,150 A 4/1966 Blair
3,399,650 A 9/1968 Goodman
D240,071 S * 5/1976 Lindquist D26/84
4,030,451 A * 6/1977 Miller 119/57.9
4,102,308 A * 7/1978 Kilham 119/52.3
4,207,839 A * 6/1980 Barry 119/57.9
4,327,669 A * 5/1982 Blasbalg 119/57.8
D267,355 S * 12/1982 Blasbalg D30/127
D274,377 S * 6/1984 Nock D30/126
4,462,337 A * 7/1984 Kilham 119/57.9
D278,166 S 3/1985 Kilham
D278,168 S * 3/1985 Latham et al. D30/127
D279,873 S * 7/1985 Neely D10/116.1
D285,669 S * 9/1986 Brockmann D10/118.1
4,798,172 A * 1/1989 Clarke 119/57.9
D299,770 S * 2/1989 Coffe D30/127
4,854,214 A * 8/1989 Lowe 84/404
D307,329 S * 4/1990 Segill et al. D26/91
4,967,633 A * 11/1990 Jewell, Jr. 84/404
5,016,573 A * 5/1991 Power 119/57.9
5,040,491 A * 8/1991 Yancy 119/57.8
5,044,319 A * 9/1991 Blasbalg 119/57.9
5,072,208 A * 12/1991 Christensen 340/392.4
5,086,730 A * 2/1992 Figley 119/52.3
5,095,847 A * 3/1992 Coffe 119/52.2
5,107,796 A * 4/1992 Embrey 119/72
5,168,830 A * 12/1992 Deglis 119/428
5,195,459 A * 3/1993 Ancketill 119/57.9
D335,006 S * 4/1993 Blasbalg D30/127
D338,372 S * 8/1993 Geneste D7/398
D343,030 S 1/1994 Harwick, Jr.
5,289,796 A * 3/1994 Armstrong 119/52.3
5,309,809 A * 5/1994 Sambuchi 84/404
D351,262 S 10/1994 Fasino
D351,691 S * 10/1994 Lipton D30/127
5,452,638 A * 9/1995 Yancy 84/404
5,533,467 A * 7/1996 Lancia 119/57.9
D373,547 S * 9/1996 Stratford D10/118
5,558,040 A 9/1996 Colwell et al.
5,647,298 A * 7/1997 Yancy 119/57.8
5,648,624 A * 7/1997 Smith 84/404
D383,878 S * 9/1997 Merino et al. D30/124
D386,835 S * 11/1997 Passamare D30/124
5,744,736 A * 4/1998 Chang 84/402
5,758,596 A * 6/1998 Loiselle 119/52.2
5,829,383 A * 11/1998 Blanding 119/52.3
5,829,384 A * 11/1998 Landry 119/52.3
5,831,516 A * 11/1998 Jennings 340/392.4
D414,283 S * 9/1999 Gibson D26/10
5,970,913 A * 10/1999 Bloedorn 119/57.8
5,980,056 A * 11/1999 West 362/86
6,047,661 A 4/2000 Lush
6,067,934 A 5/2000 Harwich
6,073,582 A 6/2000 Lush
6,103,962 A * 8/2000 Kirchner 84/402
6,112,382 A * 9/2000 Parker et al. 27/1
6,124,782 A * 9/2000 Kraft, Sr. 340/393.2
6,166,310 A * 12/2000 Carter 84/402
6,253,707 B1 * 7/2001 Cote 119/57.9

D446,337 S * 8/2001 Benghozi D26/86
6,269,769 B1 8/2001 Wenstrand
6,318,290 B1 * 11/2001 Fisher 119/51.5
6,386,142 B1 * 5/2002 Holscher et al. 119/57.8
6,427,629 B1 8/2002 Lush
6,439,158 B1 8/2002 Blohm
6,453,843 B2 * 9/2002 Bescherer 119/51.01
6,532,896 B1 3/2003 Hurlbert
D473,333 S * 4/2003 Willmorth D26/67
6,559,367 B1 * 5/2003 Yiu 84/405
6,561,128 B1 * 5/2003 Carter 119/57.9
6,591,781 B2 * 7/2003 Hardison 119/57.9
D483,529 S 12/2003 Fort, II
6,679,197 B1 1/2004 Reilly
D486,278 S * 2/2004 Nauert D30/199
6,736,088 B1 * 5/2004 McGregor et al. 119/708
D500,697 S * 1/2005 Cowan D10/118.1
D503,019 S * 3/2005 Swift et al. D30/127
6,866,004 B1 3/2005 Lush
6,877,459 B2 4/2005 Ruff
D504,746 S * 5/2005 Lee D30/124
D514,748 S * 2/2006 Sweasy D30/124
7,032,538 B1 4/2006 Lush
7,040,251 B2 5/2006 Fort, II
7,096,821 B2 8/2006 Ruff
7,131,395 B1 11/2006 Lush
7,191,731 B2 * 3/2007 Cote 119/57.9
7,198,004 B1 * 4/2007 Lush 119/57.8
D542,480 S * 5/2007 Barszcz et al. D30/124
7,237,507 B1 * 7/2007 Colwell 119/51.01
7,336,157 B2 * 2/2008 Richmond 340/326
D570,526 S * 6/2008 Cenedese D26/88
D571,056 S * 6/2008 Bloedorn D30/127
7,405,351 B2 * 7/2008 Maeng 84/404
7,485,788 B2 * 2/2009 Fennell et al. 84/402
7,739,982 B2 * 6/2010 Cote 119/57.9
D620,629 S * 7/2010 Sabernig D26/84
D622,437 S * 8/2010 Crosby D26/88
D634,047 S * 3/2011 Sabernig D26/84
7,954,264 B1 * 6/2011 Jost 40/431
8,006,642 B2 * 8/2011 Vosbikian 119/52.2
D647,660 S * 10/2011 Steenhoudt D26/83
D648,903 S * 11/2011 Lush D30/127
D649,299 S * 11/2011 Lush D30/127
D649,300 S * 11/2011 Lush D30/127
D649,301 S * 11/2011 Fink D30/127
D652,176 S * 1/2012 Tom D30/127
8,106,277 B2 * 1/2012 Barnett et al. 84/404
D655,852 S * 3/2012 Sabernig D26/88
8,129,850 B2 * 3/2012 Kuelbs et al. 290/1 R
2002/0092475 A1 * 7/2002 Paynton et al. 119/51.01
2003/0047059 A1 * 3/2003 Brown, Jr. 84/402
2003/0150391 A1 * 8/2003 Rich 119/57.8
2004/0011184 A1 * 1/2004 Prall 84/402
2004/0083876 A1 * 5/2004 Maegli et al. 84/410
2004/0123808 A1 * 7/2004 Dunn 119/57.9
2004/0194715 A1 * 10/2004 Zieff et al. 119/57.9
2006/0162665 A1 * 7/2006 George 119/52.3
2006/0201062 A1 9/2006 Ruff
2006/0207512 A1 9/2006 Fort, II
2006/0260553 A1 * 11/2006 Cote 119/57.8
2006/0272585 A1 12/2006 O'Dell
2006/0288944 A1 * 12/2006 Hoff 119/57.9
2007/0175315 A1 * 8/2007 Maeng 84/402
2008/0156268 A1 * 7/2008 Greenwood et al. 119/51.01
2010/0258055 A1 * 10/2010 Cote 119/52.3
2010/0288200 A1 * 11/2010 Lush 119/52.3
2010/0288201 A1 * 11/2010 Lush 119/52.4
2011/0126692 A1 * 6/2011 Barnett et al. 84/402
2011/0126771 A1 * 6/2011 Cote 119/52.3

FOREIGN PATENT DOCUMENTS

JP 2003250739 A 9/2003

* cited by examiner

Fig. 1

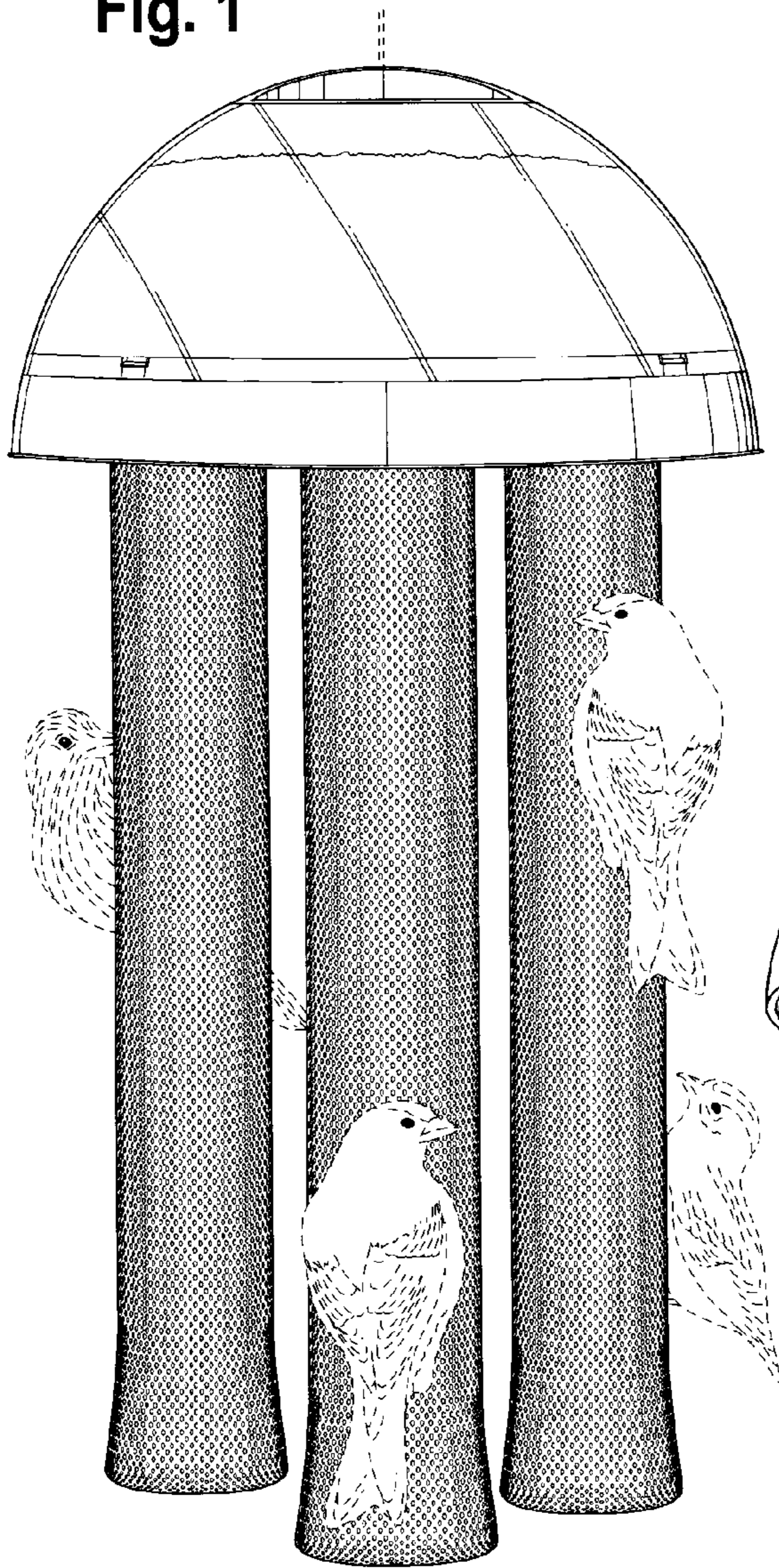


Fig. 2

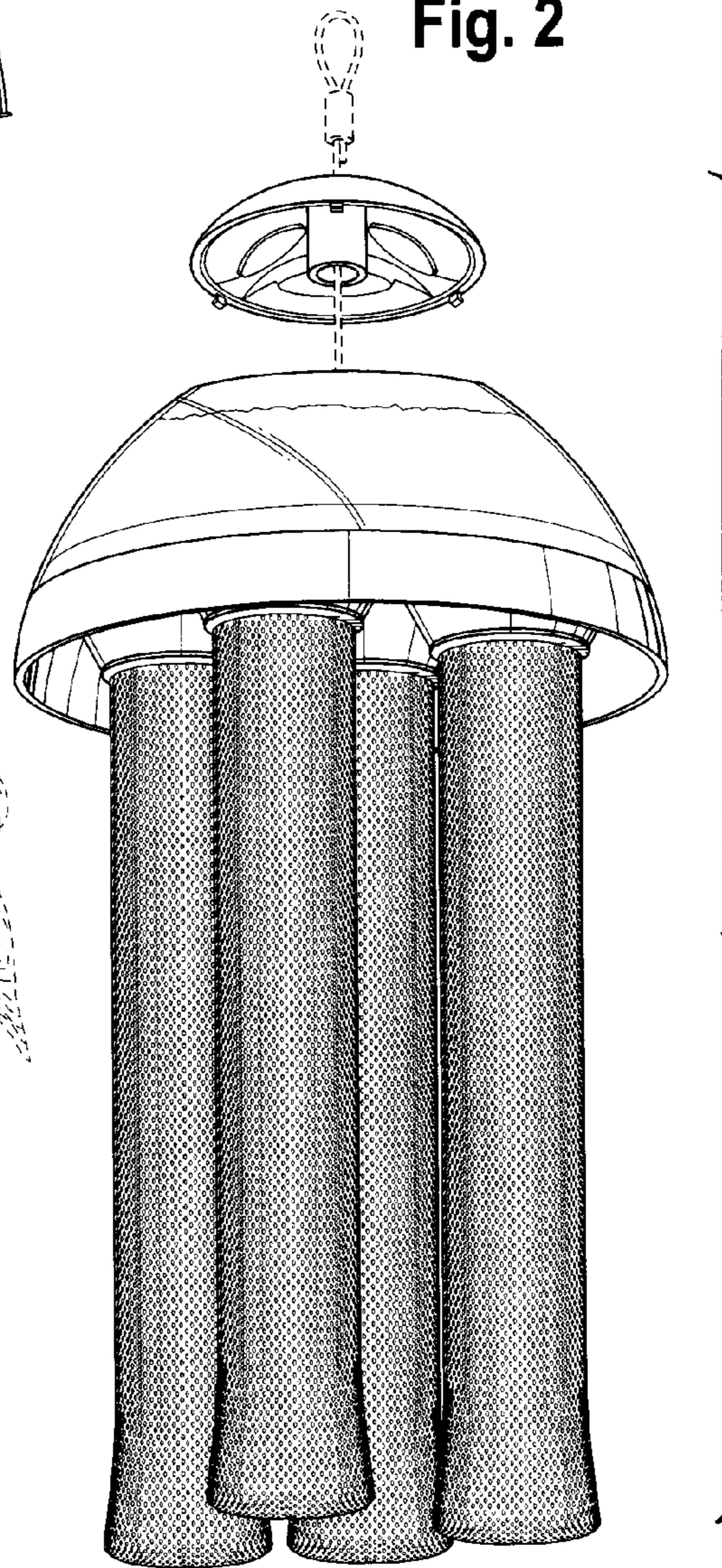


Fig. 3

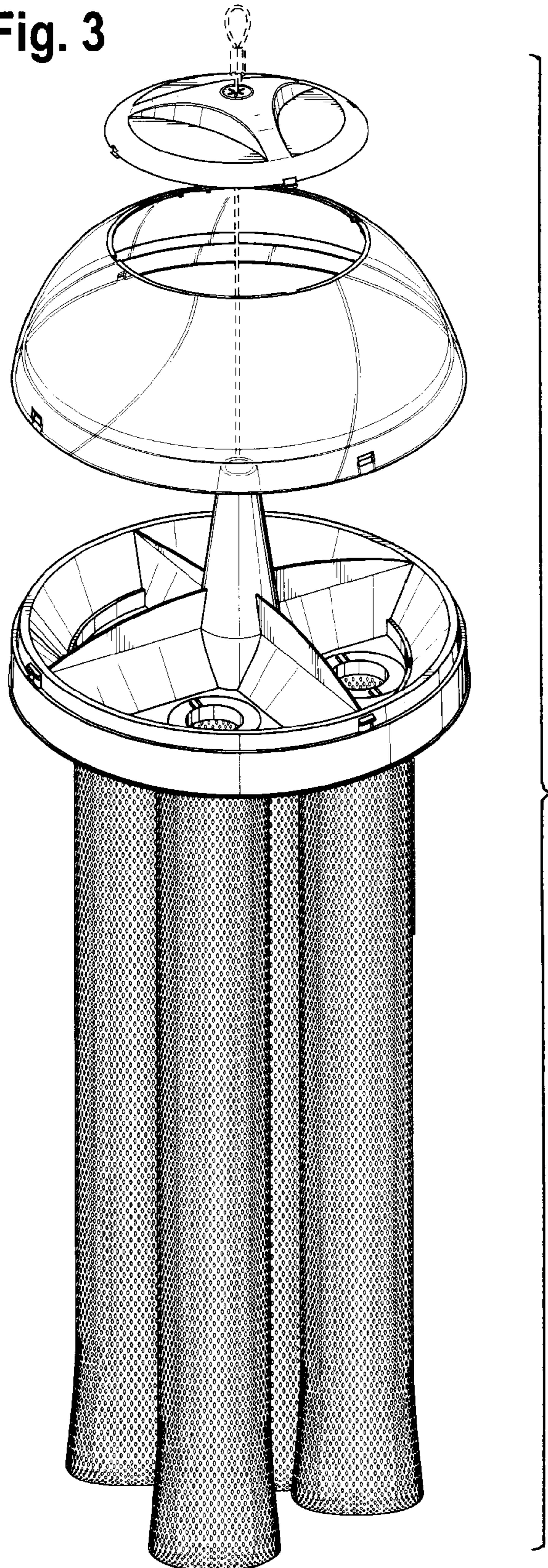


Fig. 4

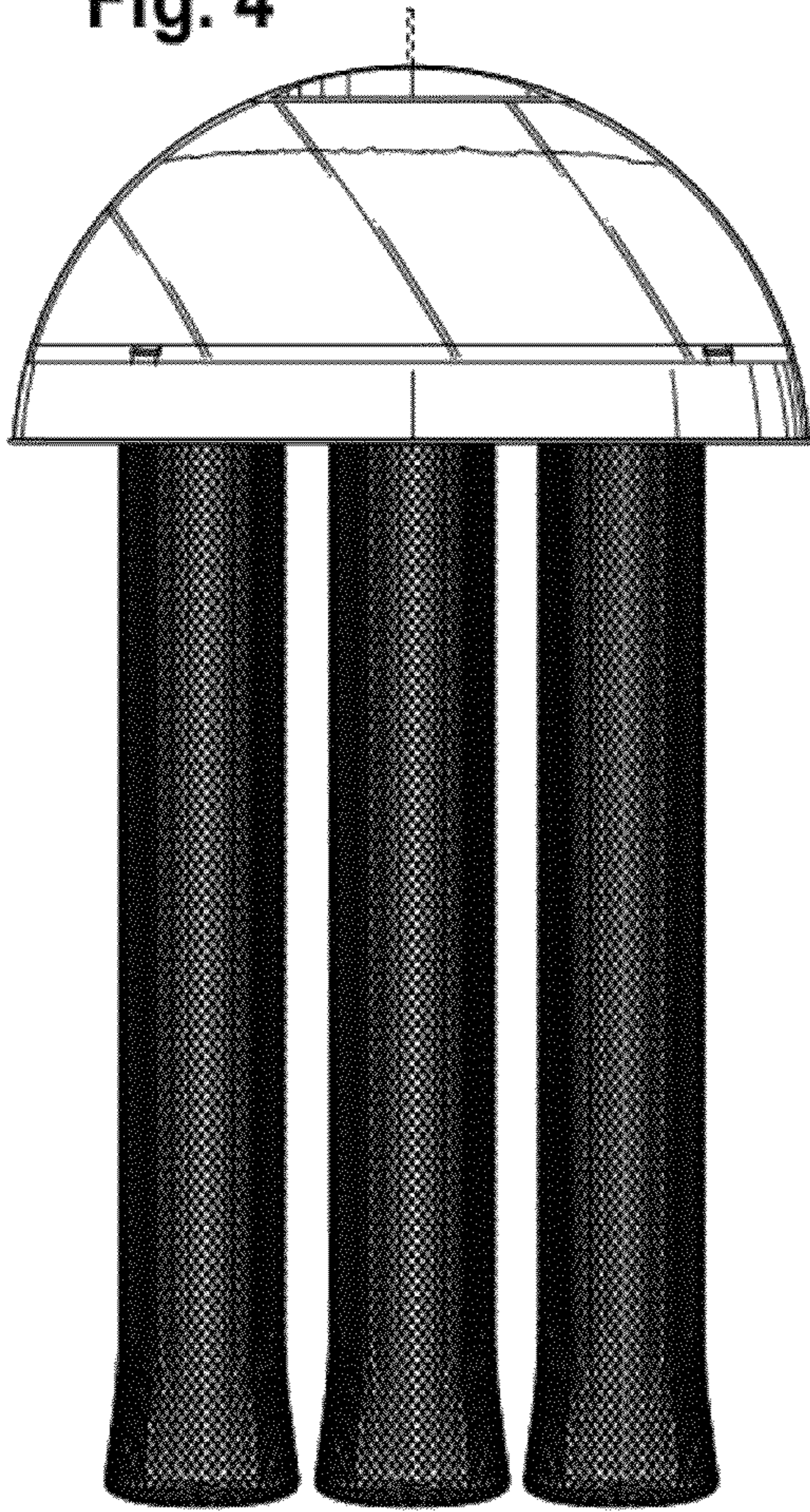


Fig. 5

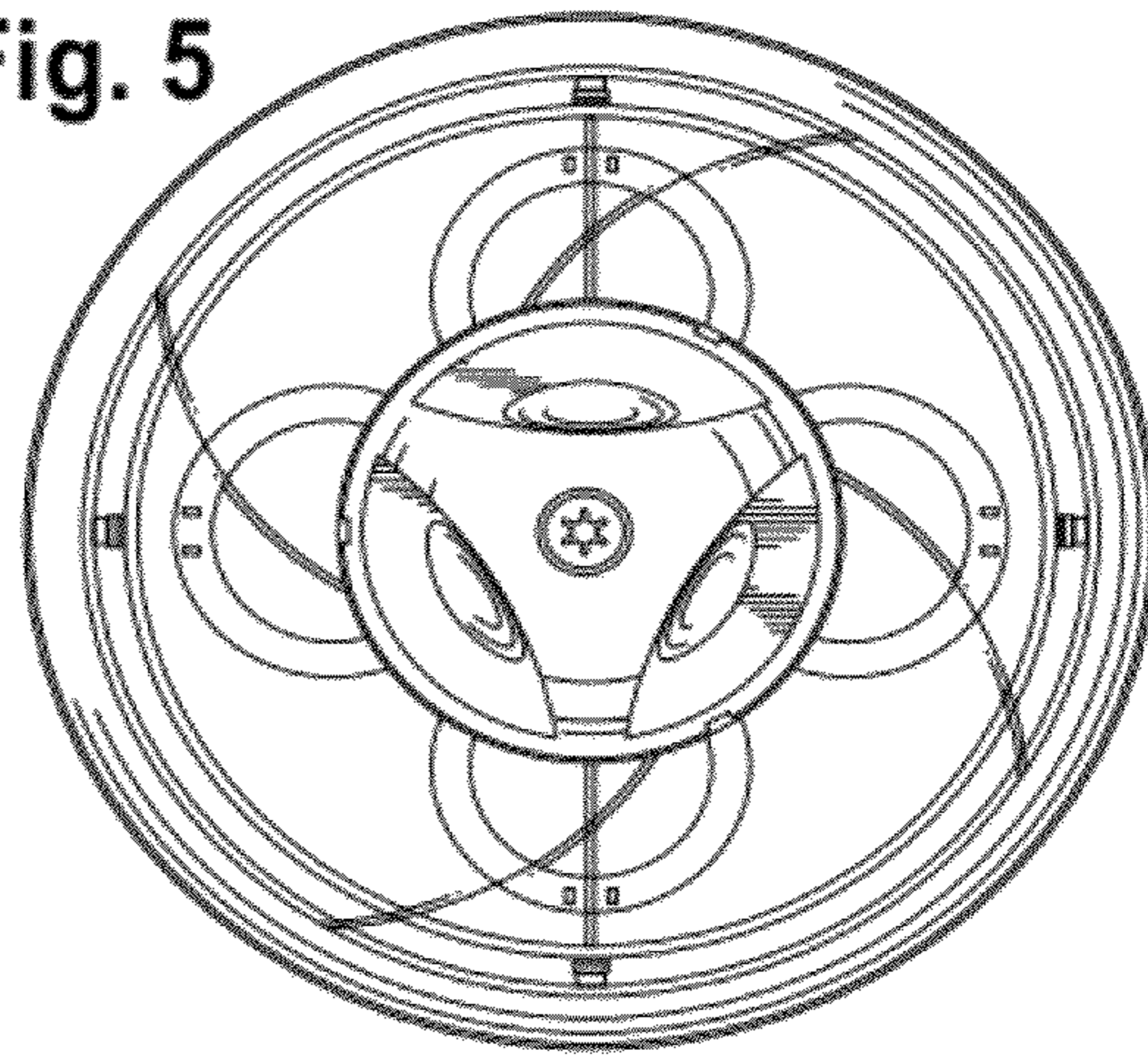


Fig. 6

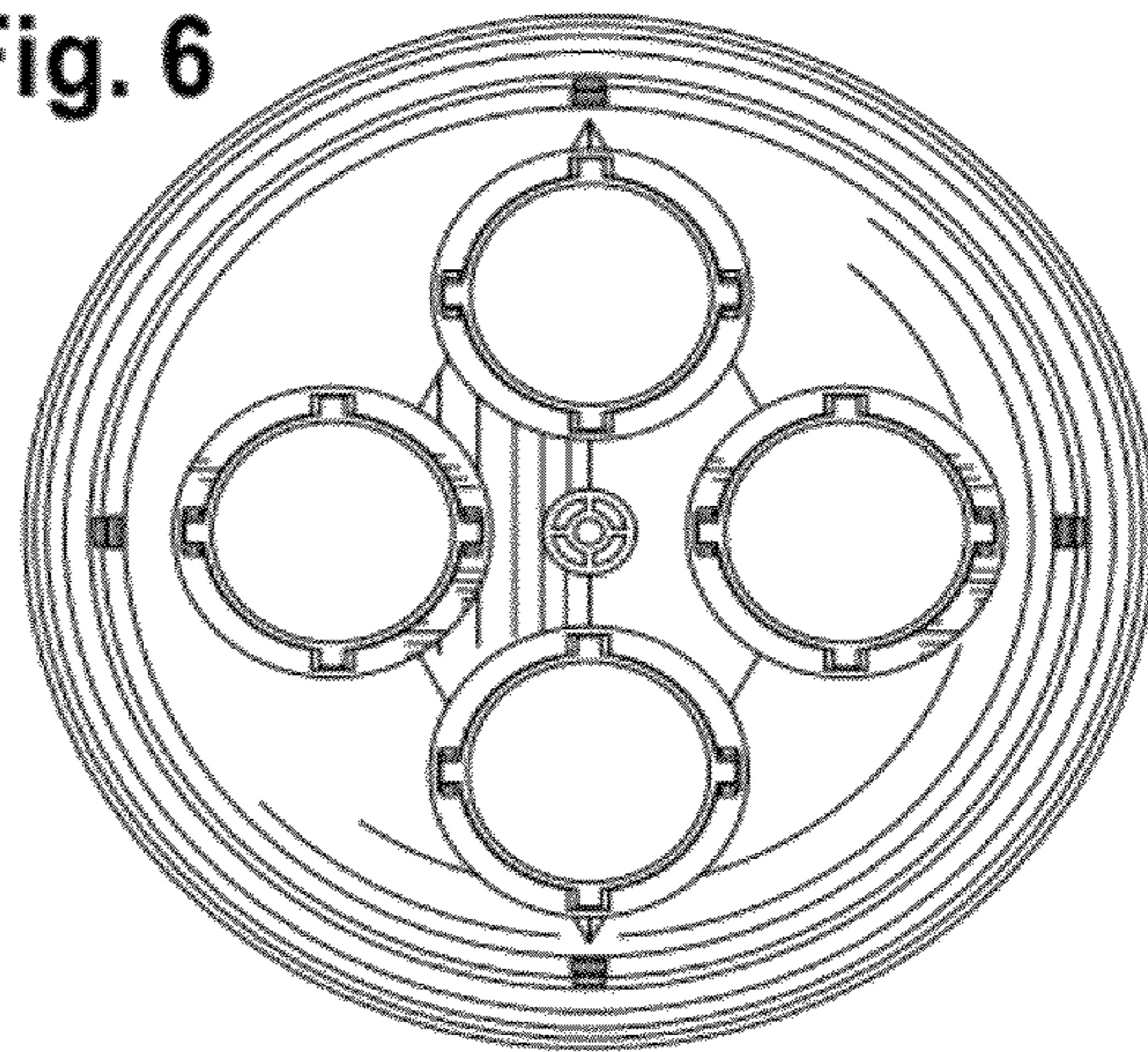


Fig. 7

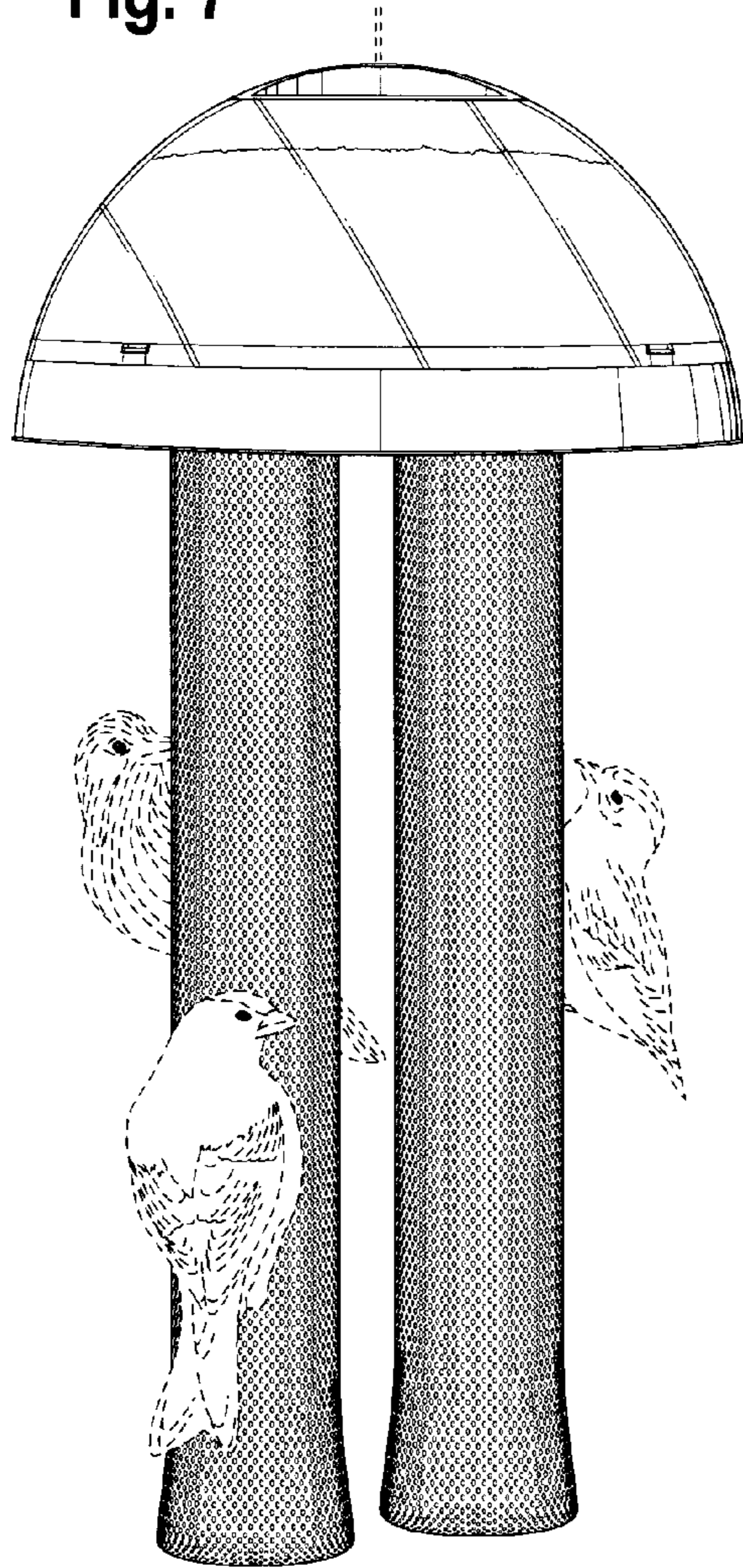


Fig. 8

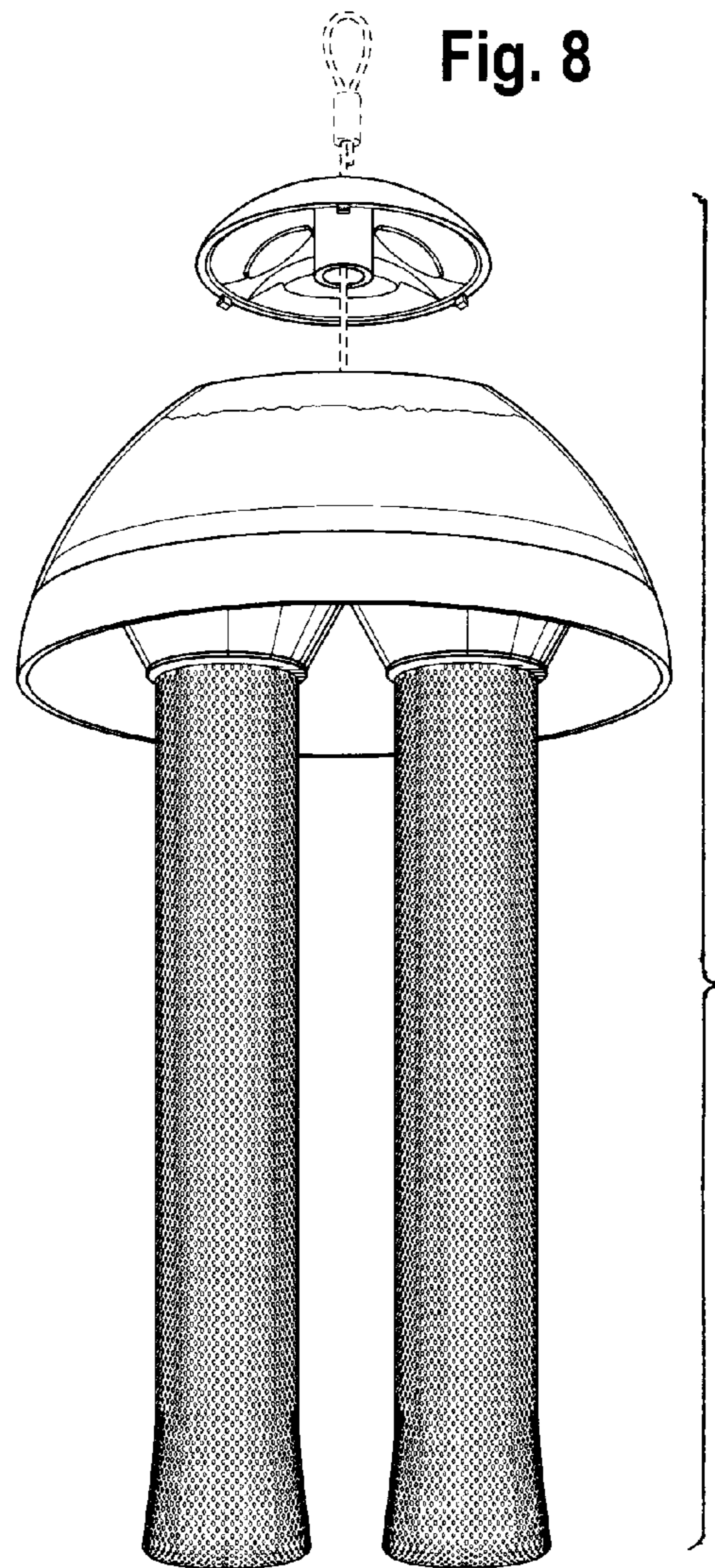


Fig. 9

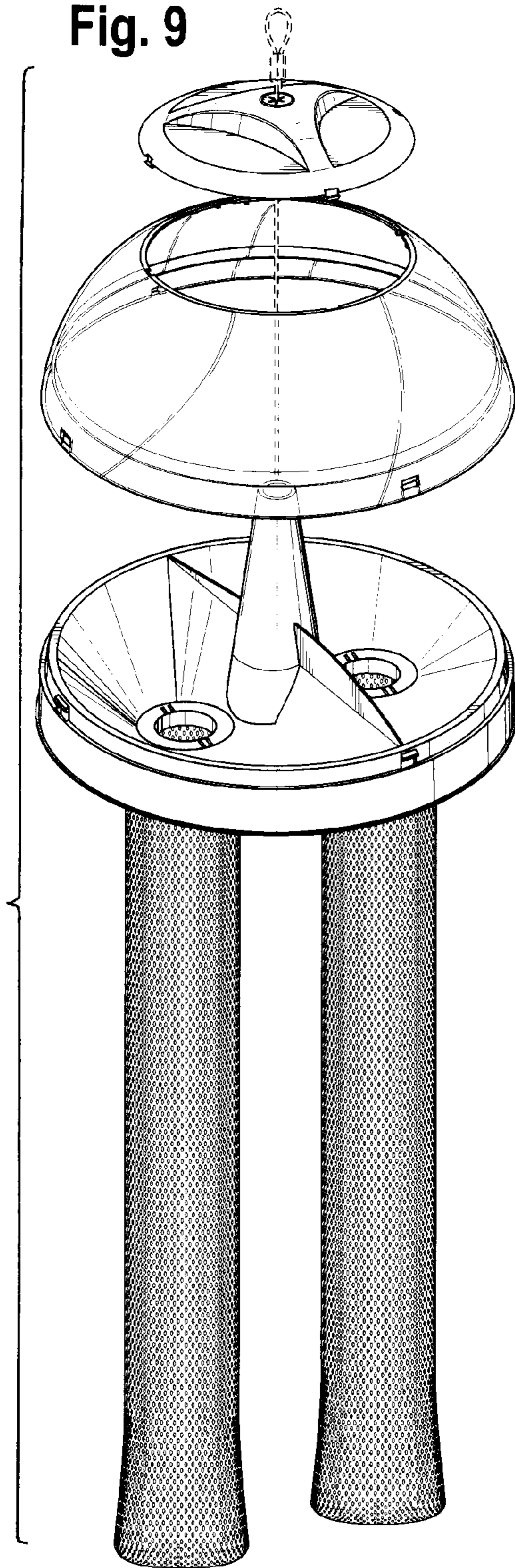


Fig. 10

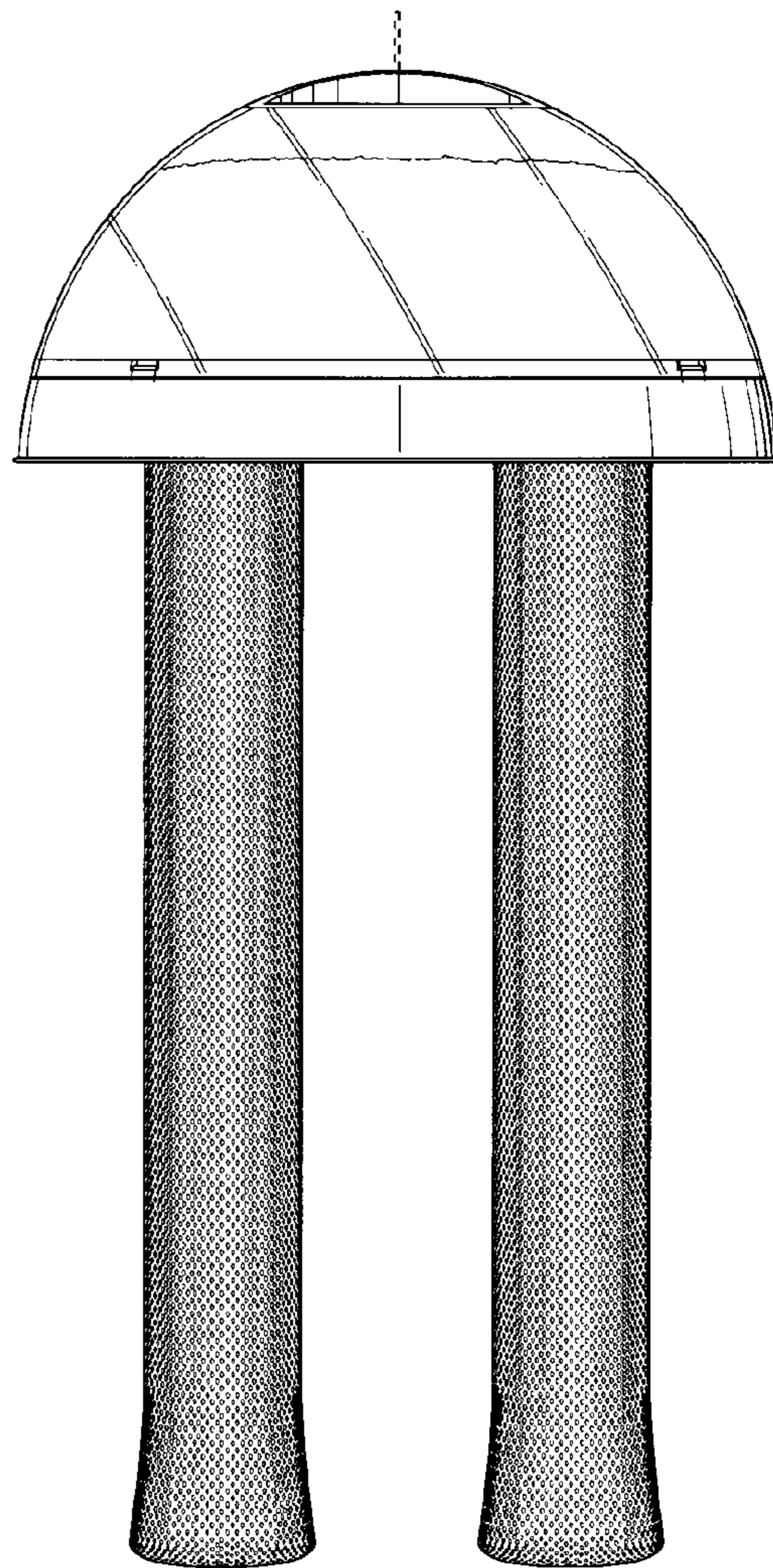


Fig. 11

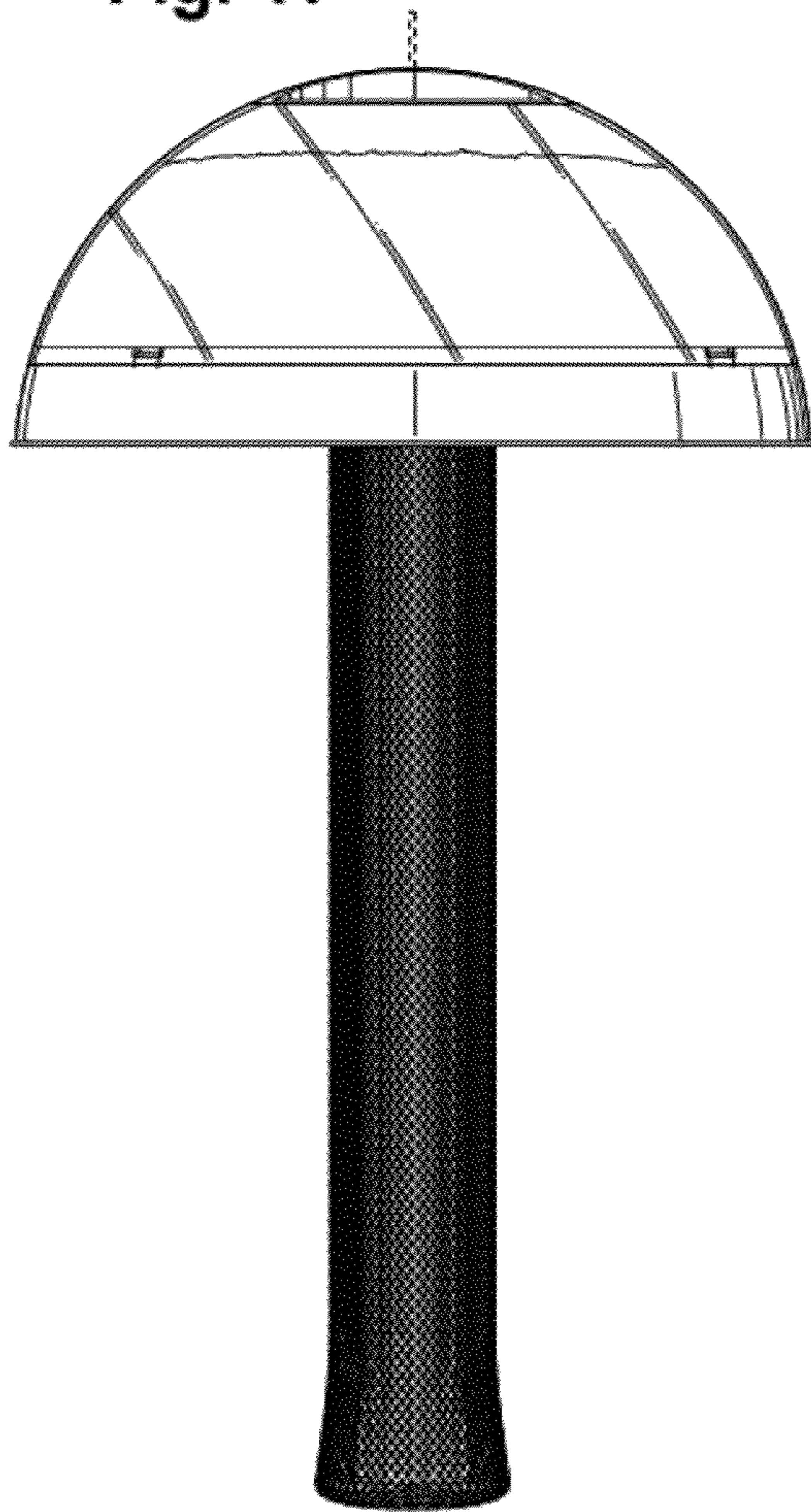


Fig. 12

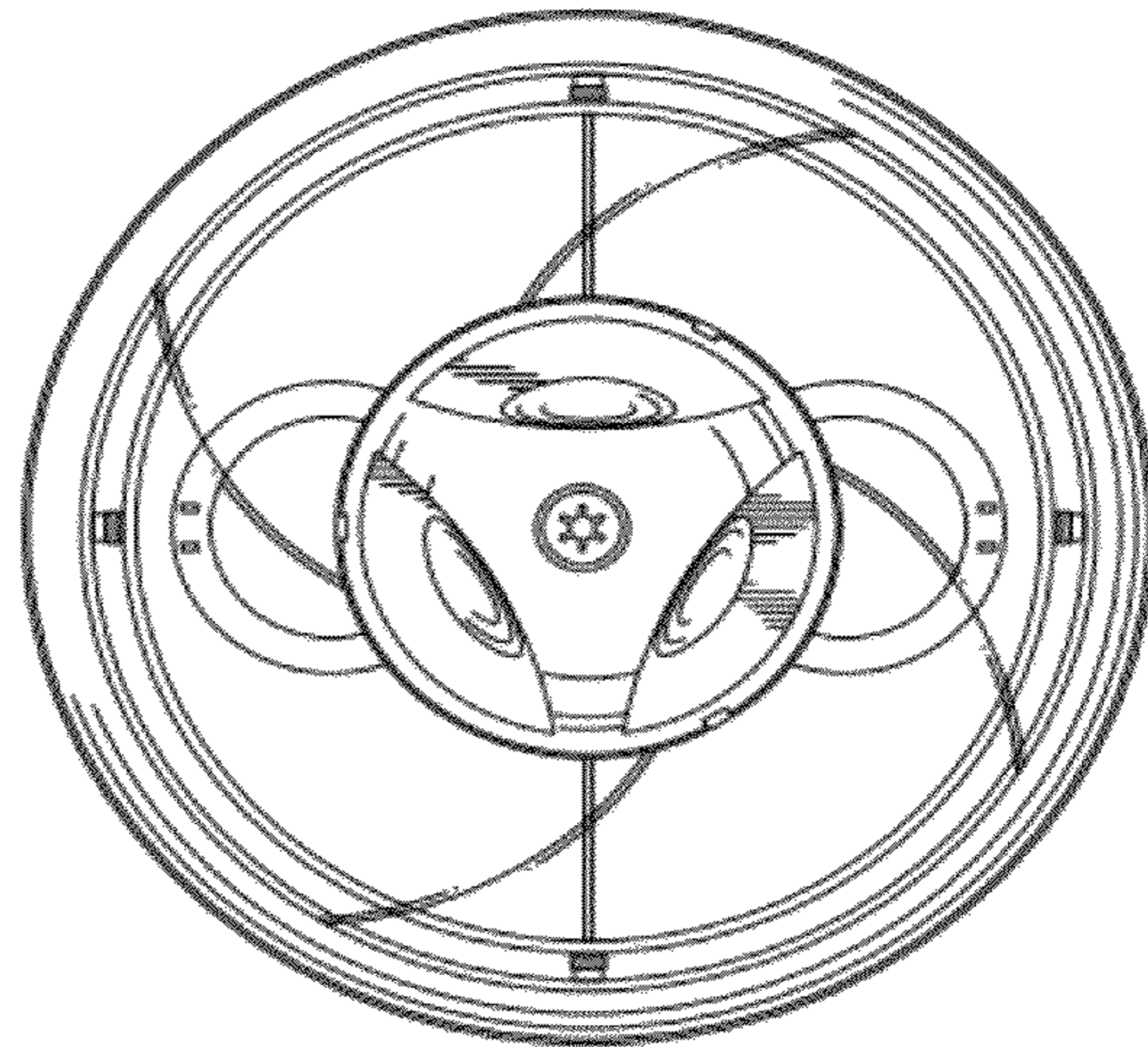


Fig. 13

