



US00D663077S

(12) **United States Design Patent**
Pohl

(10) **Patent No.:** **US D663,077 S**

(45) **Date of Patent:** **** Jul. 3, 2012**

(54) **PET BED**

(76) **Inventor:** **Carol L. Pohl**, Troy, MI (US)

(**) **Term:** **14 Years**

(21) **Appl. No.:** **29/401,352**

(22) **Filed:** **Sep. 11, 2011**

(51) **LOC (9) Cl.** **30-06**

(52) **U.S. Cl.** **D30/118; D6/361; D6/382**

(58) **Field of Classification Search** **D30/118,**
D30/199; 119/28.5; D6/601, 603, 361, 382
See application file for complete search history.

(56) **References Cited**

U.S. PATENT DOCUMENTS

2,263,050	A	*	11/1941	Rein	5/296
D256,527	S	*	8/1980	Guetat	D6/394
D287,911	S	*	1/1987	Teixeira	D6/382
D301,412	S	*	6/1989	Duvivier	D6/395
D314,875	S	*	2/1991	Juergens	D6/449
D338,744	S	*	8/1993	Marlon et al.	D30/118
D392,807	S	*	3/1998	Marks	D6/361
D405,288	S	*	2/1999	Woodhams	D6/382
D426,033	S	*	5/2000	Rooks	D6/382

D486,969	S	*	2/2004	Weaver	D6/361
D646,500	S	*	10/2011	Szekely	D6/382
2007/0095292	A1	*	5/2007	Musselman	119/28.5

* cited by examiner

Primary Examiner — Cathy A MacCormac

(74) *Attorney, Agent, or Firm* — QuickPatents, Inc.; Kevin Prince

(57) **CLAIM**

I claim the ornamental design for a pet bed, as shown and described.

DESCRIPTION

FIG. 1 is a perspective view of a pet bed, showing my new design;

FIG. 2 is a right-side elevational view thereof, the left-side elevational view being a mirror image thereof;

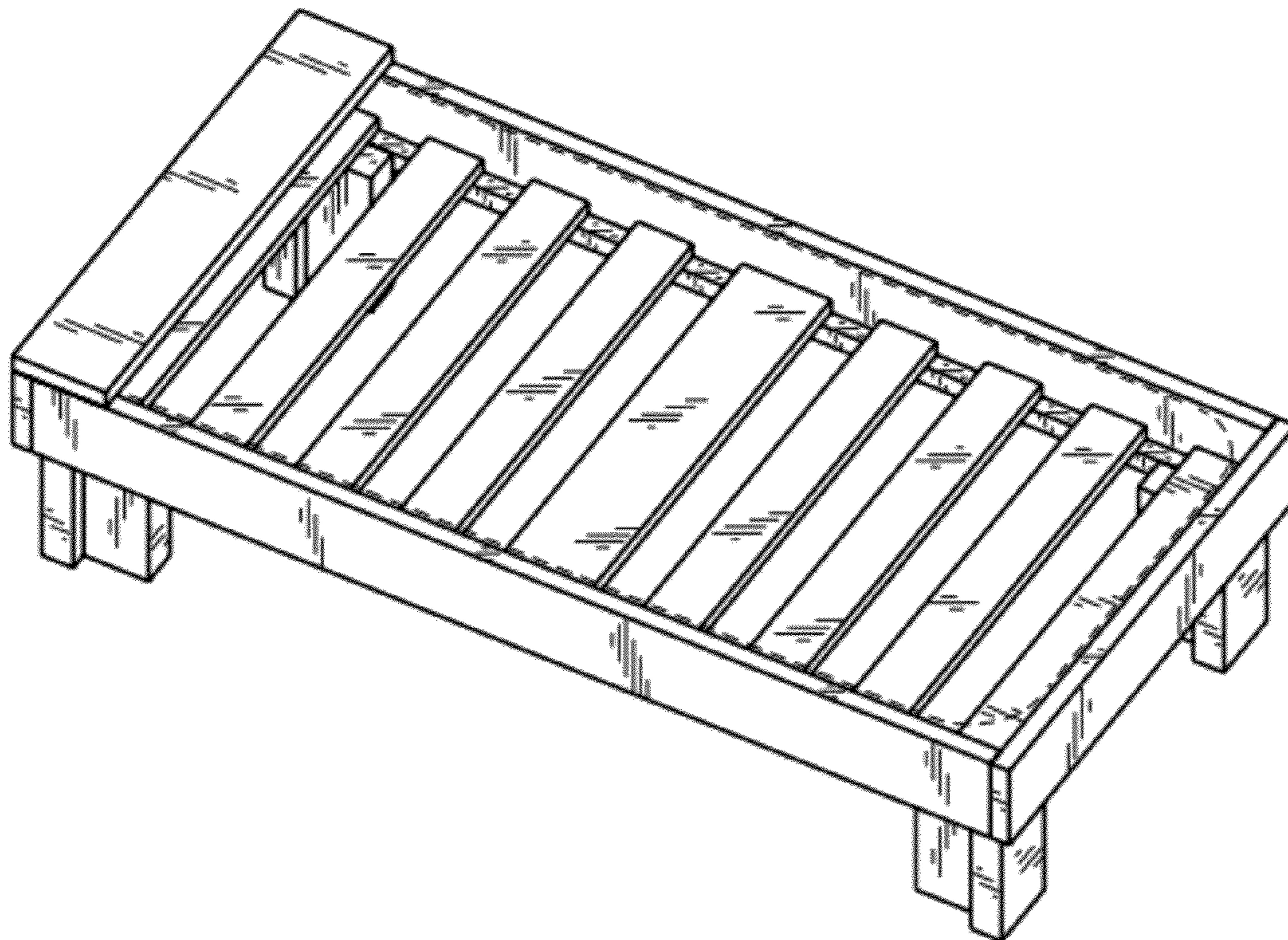
FIG. 3 is a front elevational view thereof, the rear elevational view being identical to the front view shown;

FIG. 4 is a top plan view thereof; and,

FIG. 5 is a bottom plan view thereof.

The broken lines showing a pad in FIG. 1 depict environmental matter and form no part of the claimed design.

1 Claim, 2 Drawing Sheets



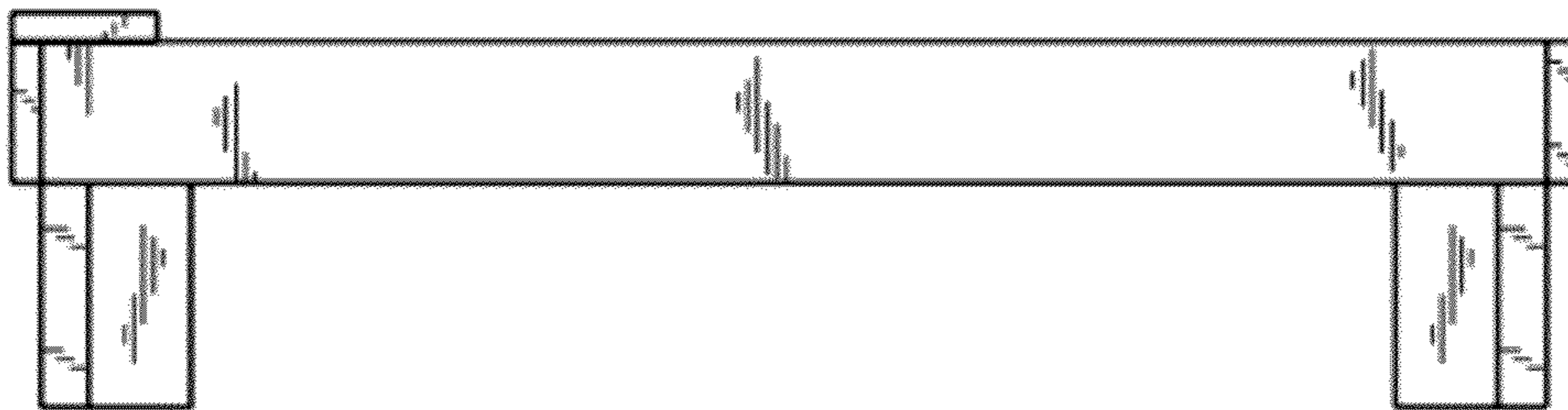
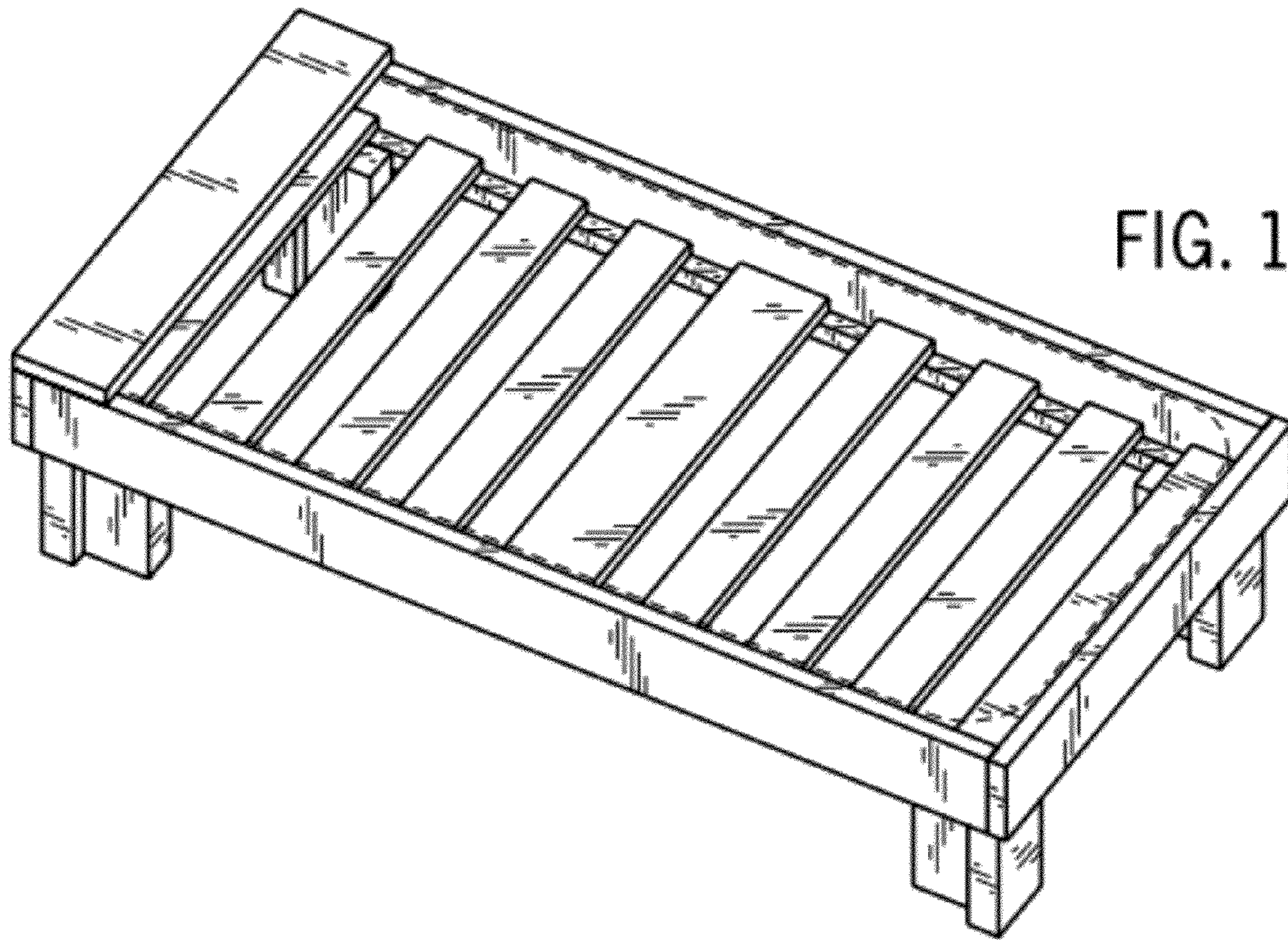


FIG. 2

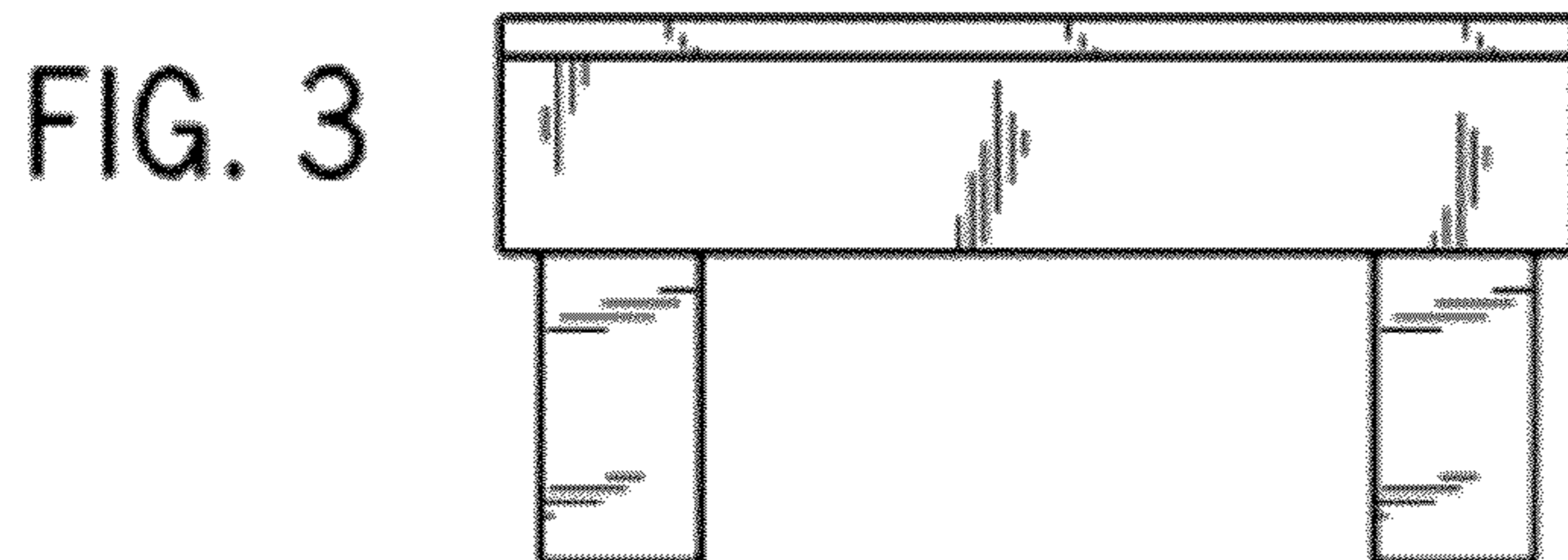


FIG. 3

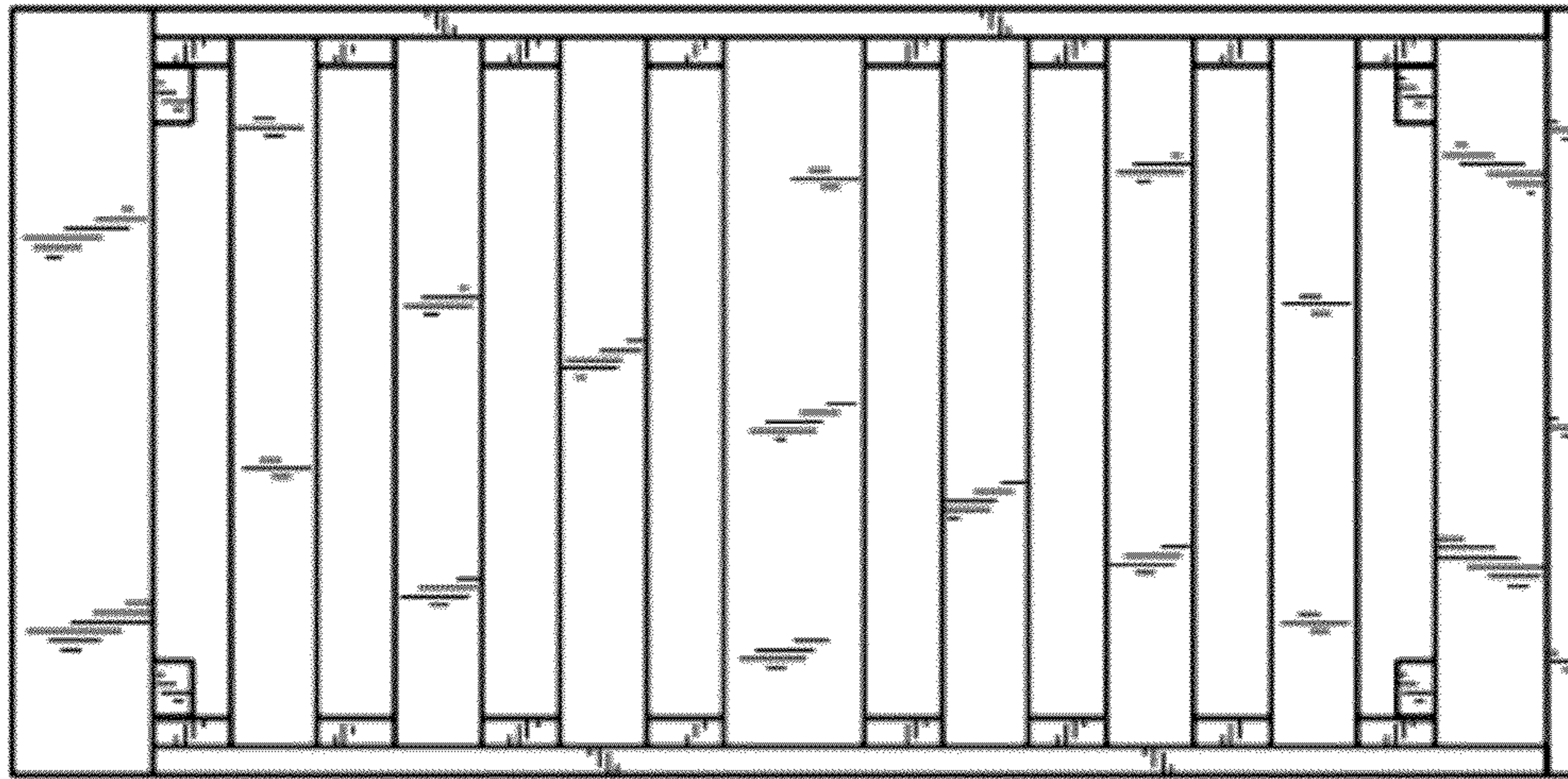


FIG. 4

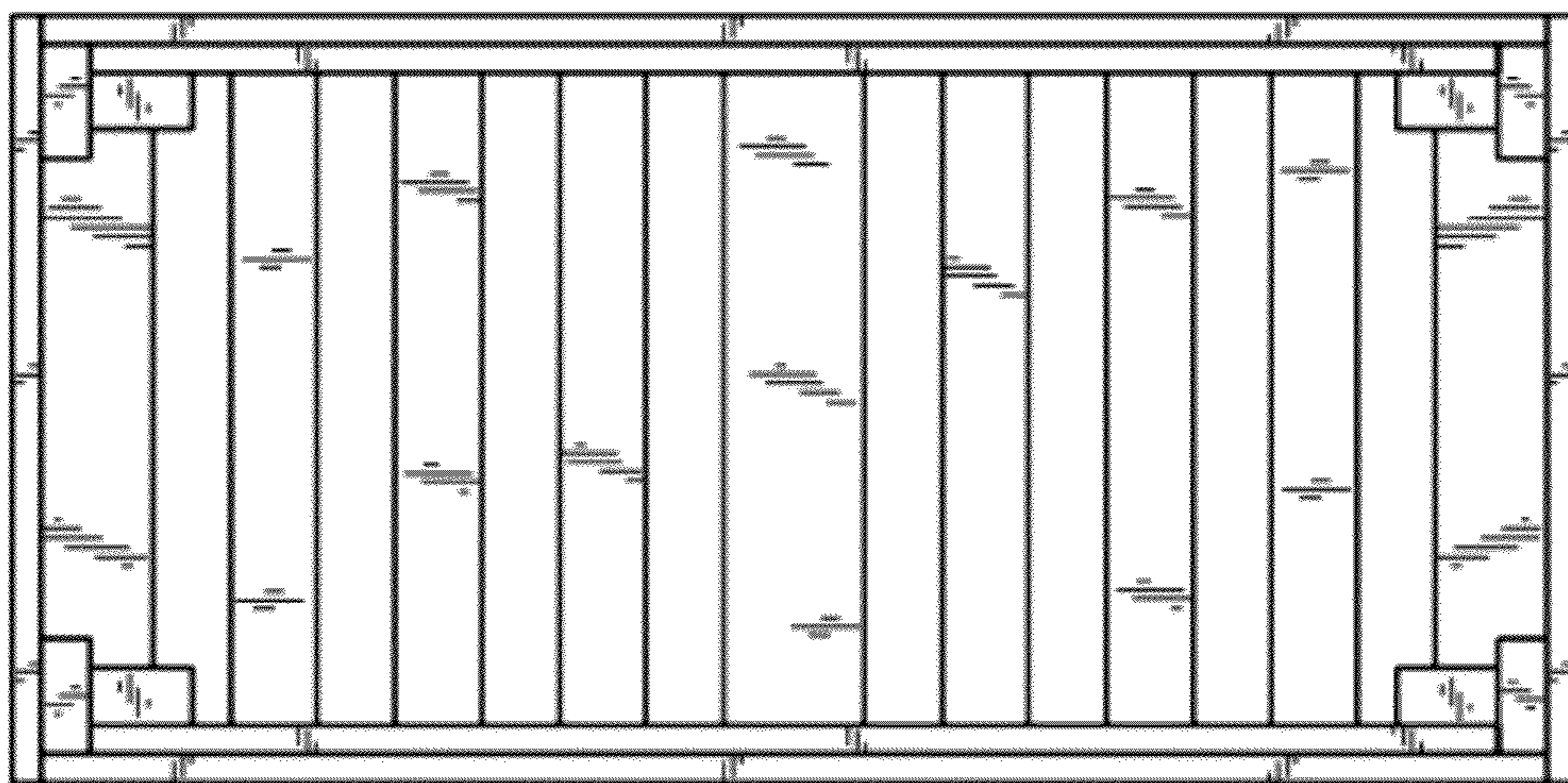


FIG. 5