

US00D663070S

(12) **United States Design Patent**
McNally

(10) **Patent No.:** **US D663,070 S**

(45) **Date of Patent:** **** Jul. 3, 2012**

(54) **HAIR ORNAMENT**

(76) Inventor: **Brenda M. McNally**, Wakefield, RI (US)

(**) Term: **14 Years**

(21) Appl. No.: **29/356,971**

(22) Filed: **Mar. 4, 2010**

(51) **LOC (9) Cl.** **28-03**

(52) **U.S. Cl.** **D28/39**

(58) **Field of Classification Search** D28/21-34,
D28/39-43; 132/101, 126, 128-131, 144,
132/148, 219, 275-284

See application file for complete search history.

(56) **References Cited**

U.S. PATENT DOCUMENTS

3,301,266	A *	1/1967	Hoffmann	132/273
3,535,746	A *	10/1970	Thomas, Jr.	24/30.5 P
D417,749	S *	12/1999	Kellmann	D28/10
D430,704	S *	9/2000	Spurrell et al.	D28/39
6,460,547	B1 *	10/2002	Williams	132/280
6,830,055	B1 *	12/2004	Frame et al.	132/275
D612,159	S *	3/2010	Lehr et al.	D6/328

* cited by examiner

Primary Examiner — Zenia Bennett

(74) *Attorney, Agent, or Firm* — QuickPatents, Inc.; Kevin Prince

(57) **CLAIM**

What is claimed is the ornamental design for a hair ornament, as shown and described.

DESCRIPTION

FIG. 1 is a perspective view of a first embodiment of a hair ornament, showing the new design;

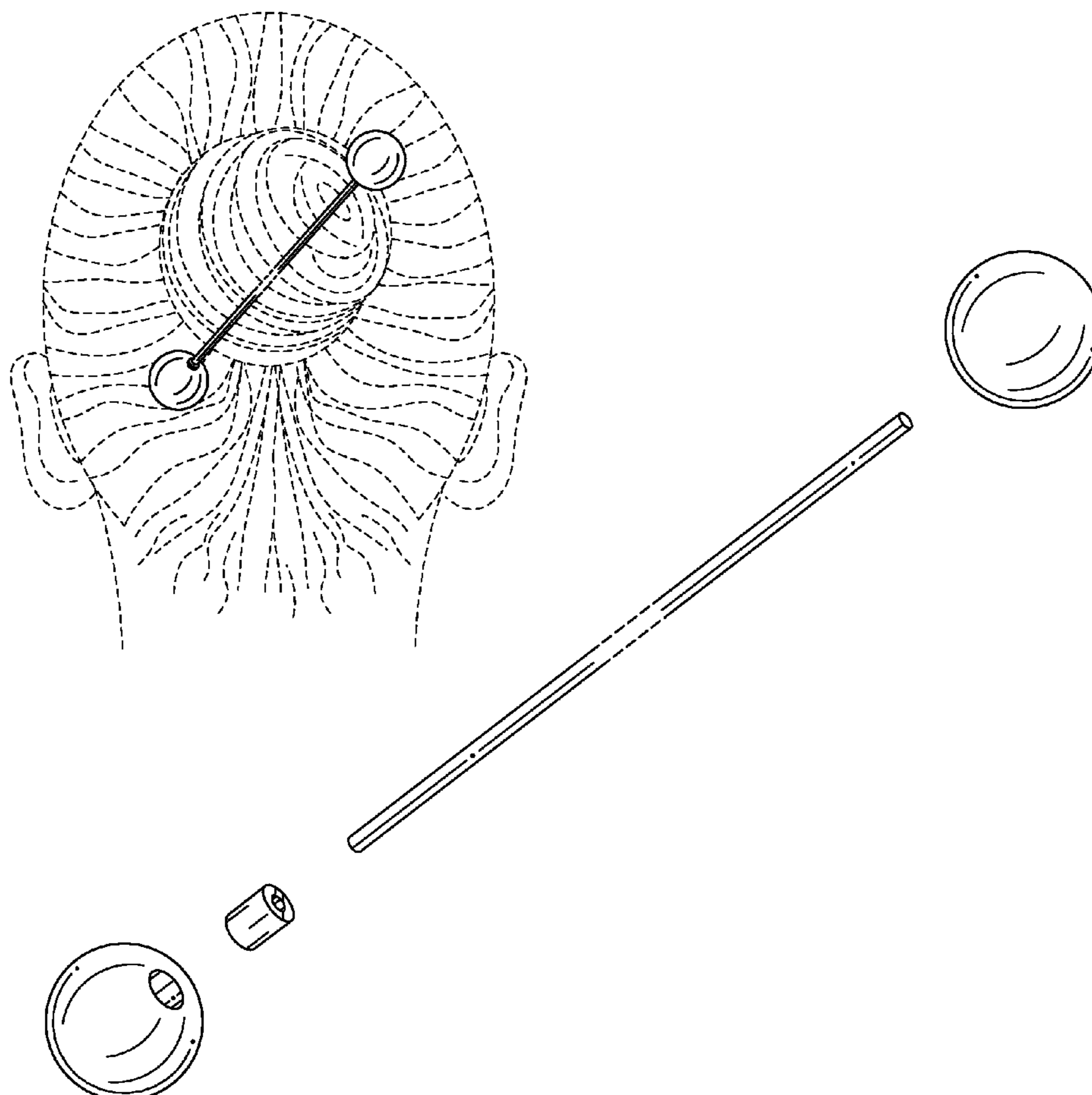
FIG. 2 is an exploded perspective view thereof;

FIG. 3 is a front elevational view thereof, the rear elevational view, top plan view, and bottom plan view all being a mirror image thereof; and,

FIG. 4 is a left-side elevational view thereof, the right-side elevational view being a mirror image thereof.

The broken lines showing a person in FIG. 1 are included for the purpose of illustrating the invention in use, and form no part of the claimed design. The broken lines along a shaft of the design in FIGS. 2 and 3 designate that the shaft has an indeterminate length.

1 Claim, 1 Drawing Sheet



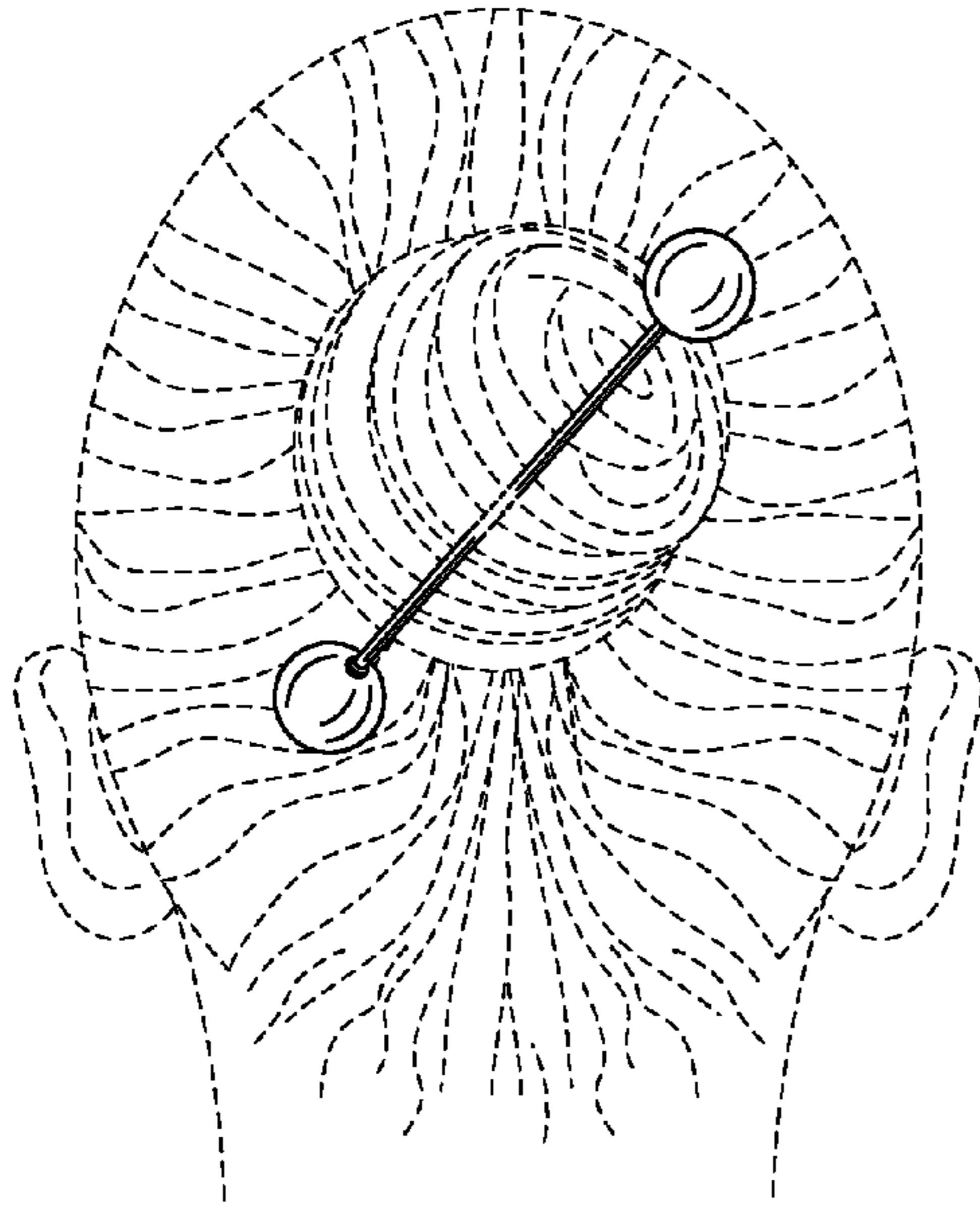


FIG. 1

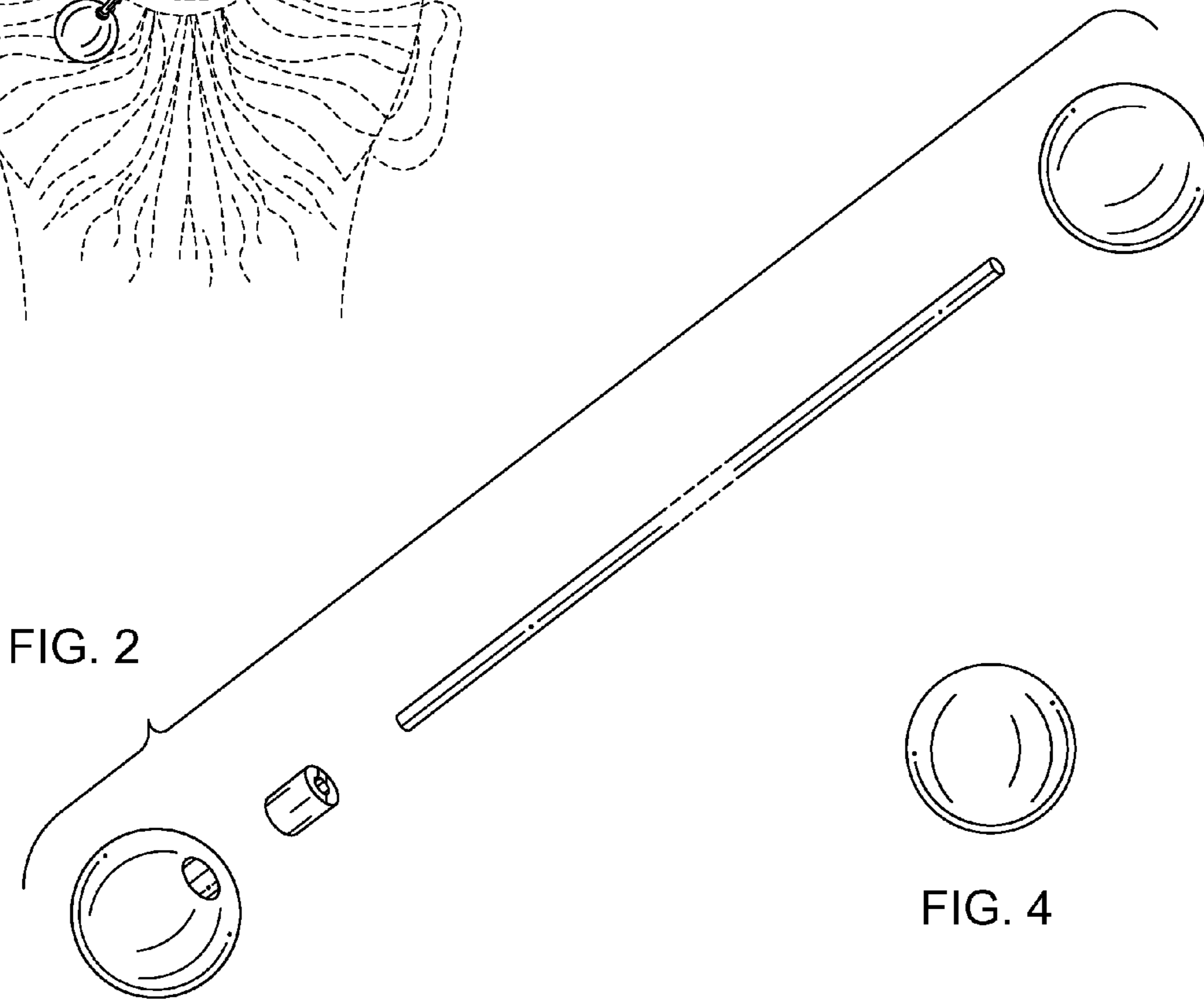


FIG. 2

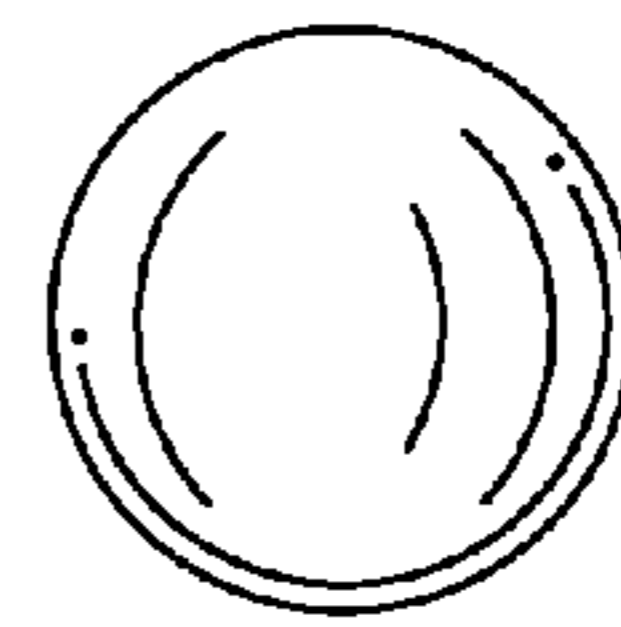


FIG. 4



FIG. 3