



US00D663068S

(12) **United States Design Patent**  
**Hochman**

(10) **Patent No.:** **US D663,068 S**

(45) **Date of Patent:** **\*\* Jul. 3, 2012**

(54) **LINEAR LIGHTING TRACK**

(75) **Inventor:** **Jeremy Hochman**, Glendale, CA (US)

(73) **Assignee:** **Full Throttle Films, Inc.**, Glendale, CA (US)

(\*\*) **Term:** **14 Years**

(21) **Appl. No.:** **29/407,472**

(22) **Filed:** **Nov. 29, 2011**

(51) **LOC (9) Cl.** ..... **26-99**

(52) **U.S. Cl.** ..... **D26/138**

(58) **Field of Classification Search** ..... D26/113, D26/71, 72, 73, 74, 75, 76, 78, 122, 121, D26/120, 119, 118, 1, 80, 86, 87, 88, 89, D26/90, 35, 36, 85, 62, 61, 63, 64, 65, 66, D26/67, 68, 28, 31, 24, 25, 26, 60, 103, 104, D26/105, 106, 109, 110, 93, 138, 140, 141, D26/142, 143, 144, 145, 152, 153, 154, 155, D26/41, 42, 51, 52, 50, 37, 128, 123, 124, D26/125, 129, 131, 134, 135, 136, 2, 3; D13/179, D13/180; D8/354, 382, 373, 377; 362/373, 362/294.02, 218, 510, 516, 410, 183, 396, 362/130, 190, 249.07, 249.09, 249.1, 249.11, 362/285, 413, 287, 220, 418, 419, 92, 249.08, 362/205, 184, 260, 399, 398, 397, 258, 374, 362/375, 216, 558, 561, 354, 249.06, 249.05, 362/132, 133, 249.03, 223, 241, 345, 327, 362/217.05, 247, 224, 297; 52/455; D25/124, D25/125, 60, 119; 349/113, 61, 59, 60, 62, 349/64, 65, 67, 66; 248/558, 339, 557; 438/15; 345/102; D12/406; D10/114.1, 111; D11/145, D11/144, 125, 121; 428/11; 257/96, 97, 257/98, 99

See application file for complete search history.

(56) **References Cited**

U.S. PATENT DOCUMENTS

D193,022	S	*	6/1962	Zurawski	.....	D26/76
D227,984	S	*	7/1973	Lang	.....	D25/125
D247,061	S	*	1/1978	Win	.....	D26/152
D247,194	S	*	2/1978	Win	.....	D26/152
D247,637	S	*	3/1978	Win	.....	D26/152
D286,194	S	*	10/1986	Bancroft	.....	D25/125
4,814,954	A	*	3/1989	Spitz	.....	362/217.07
5,031,083	A	*	7/1991	Claesson	.....	362/249.06
D329,707	S	*	9/1992	Embree et al.	.....	D25/119
5,499,170	A	*	3/1996	Gagne	.....	362/84
D384,178	S	*	9/1997	Costa	.....	D26/76
5,724,909	A	*	3/1998	Pitman et al.	.....	116/202
D437,944	S	*	2/2001	Neuhofer, Jr.	.....	D25/199
6,276,634	B1	*	8/2001	Bodle	.....	244/118.5
D453,971	S	*	2/2002	Baker	.....	D25/124
D459,014	S	*	6/2002	Chen	.....	D26/85
6,582,103	B1	*	6/2003	Popovich et al.	.....	362/307
6,659,623	B2	*	12/2003	Friend	.....	362/249.06
D489,465	S	*	5/2004	Allsopp	.....	D25/119

(Continued)

*Primary Examiner* — Kevin Rudzinski

(74) *Attorney, Agent, or Firm* — Arent Fox LLP

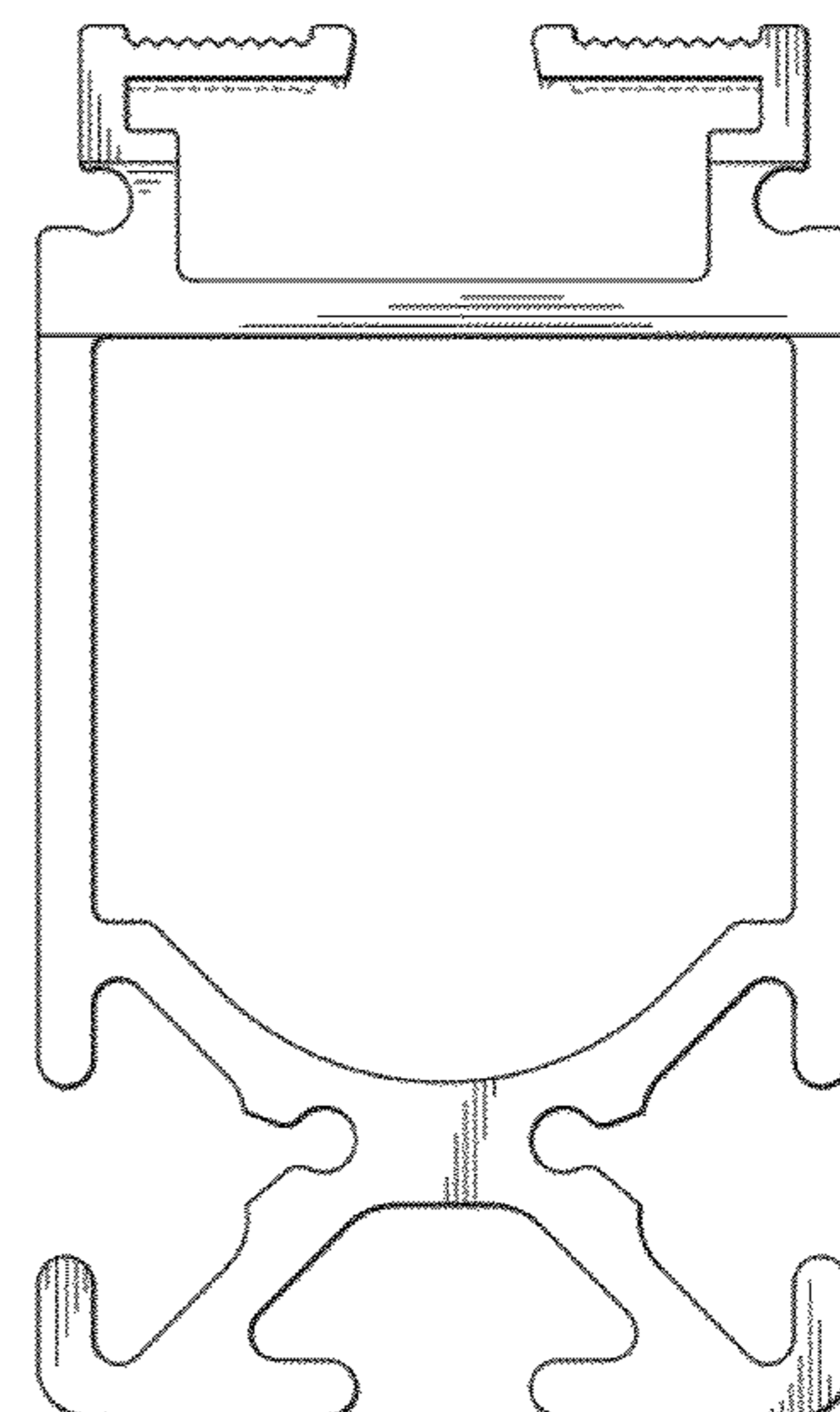
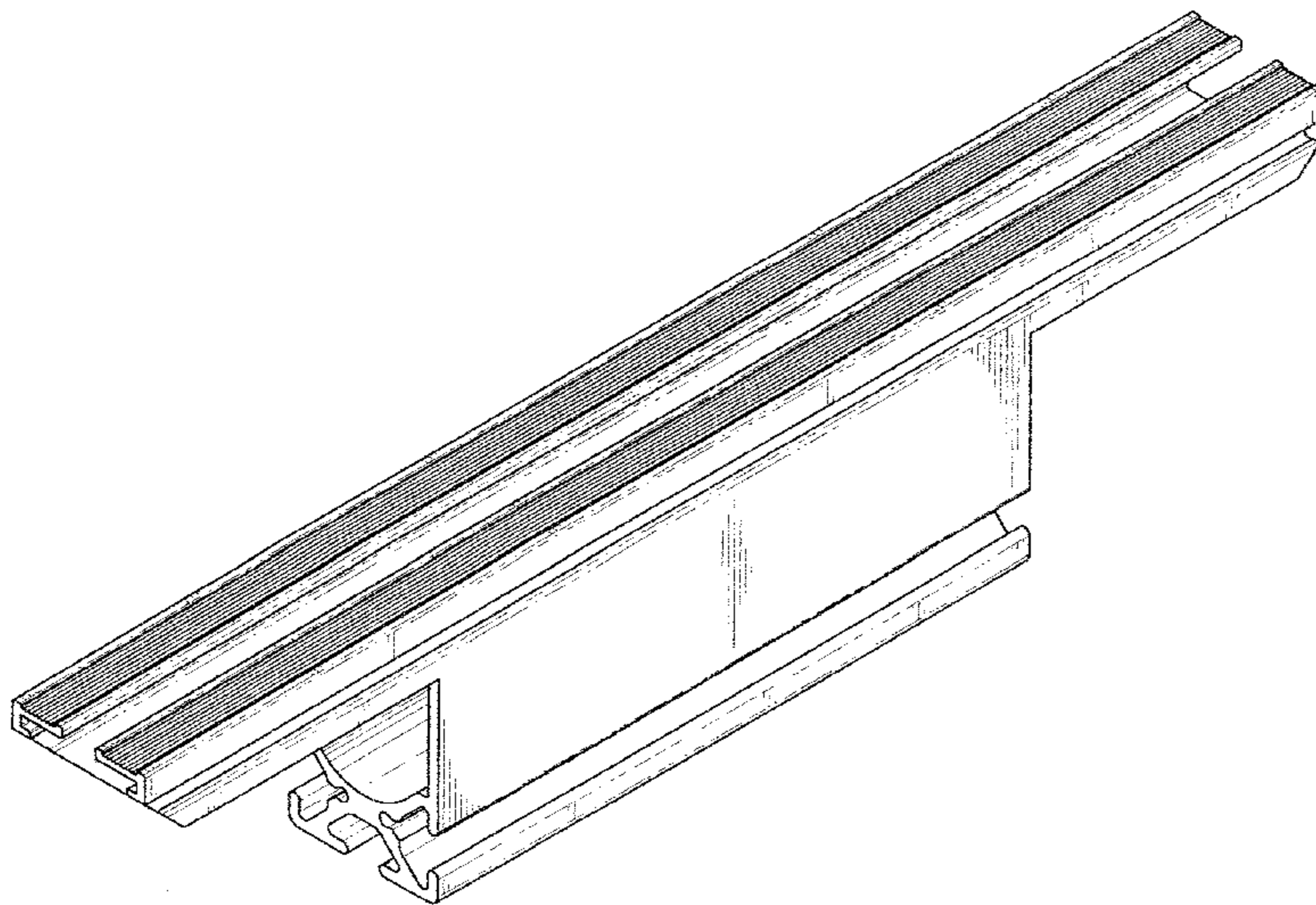
(57) **CLAIM**

The ornamental design for a linear lighting track, as shown and described.

**DESCRIPTION**

FIG. 1 is a perspective view of a linear lighting track showing the present invention;  
FIG. 2 is an enlarged front view of the linear lighting track in FIG. 1; and,  
FIG. 3 is a side view of the linear lighting track in FIG. 1. The broken lines show portions of the linear lighting track that form of the claimed design.

**1 Claim, 3 Drawing Sheets**



# US D663,068 S

Page 2

## U.S. PATENT DOCUMENTS

6,874,919	B2 *	4/2005	Stokes et al.	362/471	7,854,527	B2 *	12/2010	Anderson	362/133
6,929,382	B2 *	8/2005	Kuisma	362/219	D634,063	S *	3/2011	Peifer	D26/138
7,090,375	B2 *	8/2006	Kuisma	362/225	7,918,591	B2 *	4/2011	Lynch	362/365
7,331,689	B2 *	2/2008	Chen	362/240	7,926,985	B2 *	4/2011	Teng et al.	362/373
D578,705	S *	10/2008	Aberg et al.	D26/138	D649,680	S *	11/2011	Trzesniowski	D26/138
D582,602	S *	12/2008	Maxik et al.	D26/118	D649,686	S *	11/2011	Trzesniowski	D26/138
7,513,639	B2 *	4/2009	Wang	362/218	8,079,731	B2 *	12/2011	Lynch et al.	362/249.02
D610,736	S *	2/2010	Klaus	D26/76	D652,986	S *	1/2012	Trzesniowski	D26/138
7,654,703	B2 *	2/2010	Kan et al.	362/362	2003/0174517	A1 *	9/2003	Kiraly et al.	362/555
7,766,505	B2 *	8/2010	Tseng et al.	362/217.17	2008/0192462	A1 *	8/2008	Stedly et al.	362/218
D623,343	S *	9/2010	Klus	D26/138	2010/0103657	A1 *	4/2010	Teng et al.	362/223
D625,588	S *	10/2010	Norris et al.	D8/382	2010/0135020	A1 *	6/2010	Moore	362/249.02
D627,914	S *	11/2010	Couture	D26/76					

\* cited by examiner

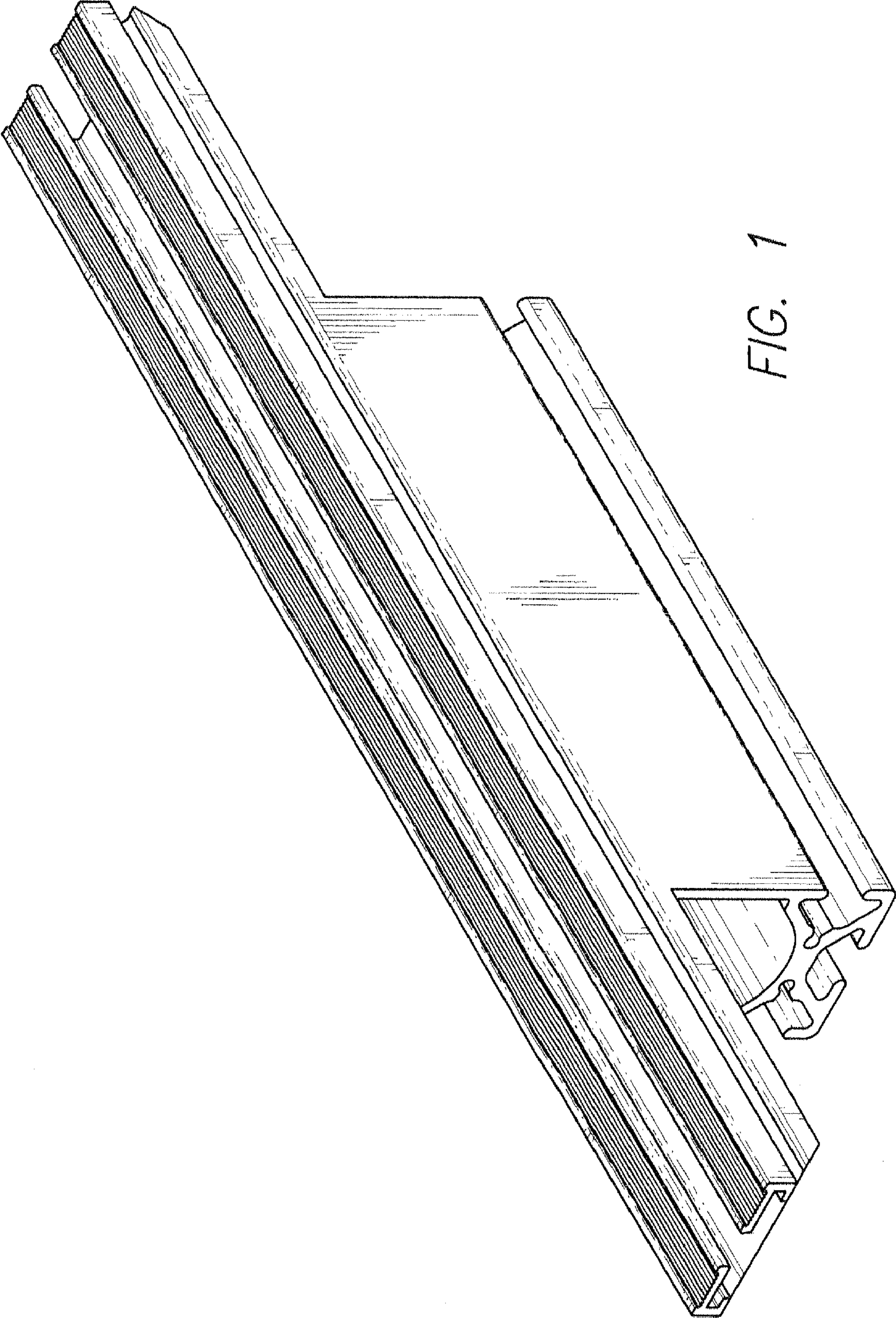


FIG. 1

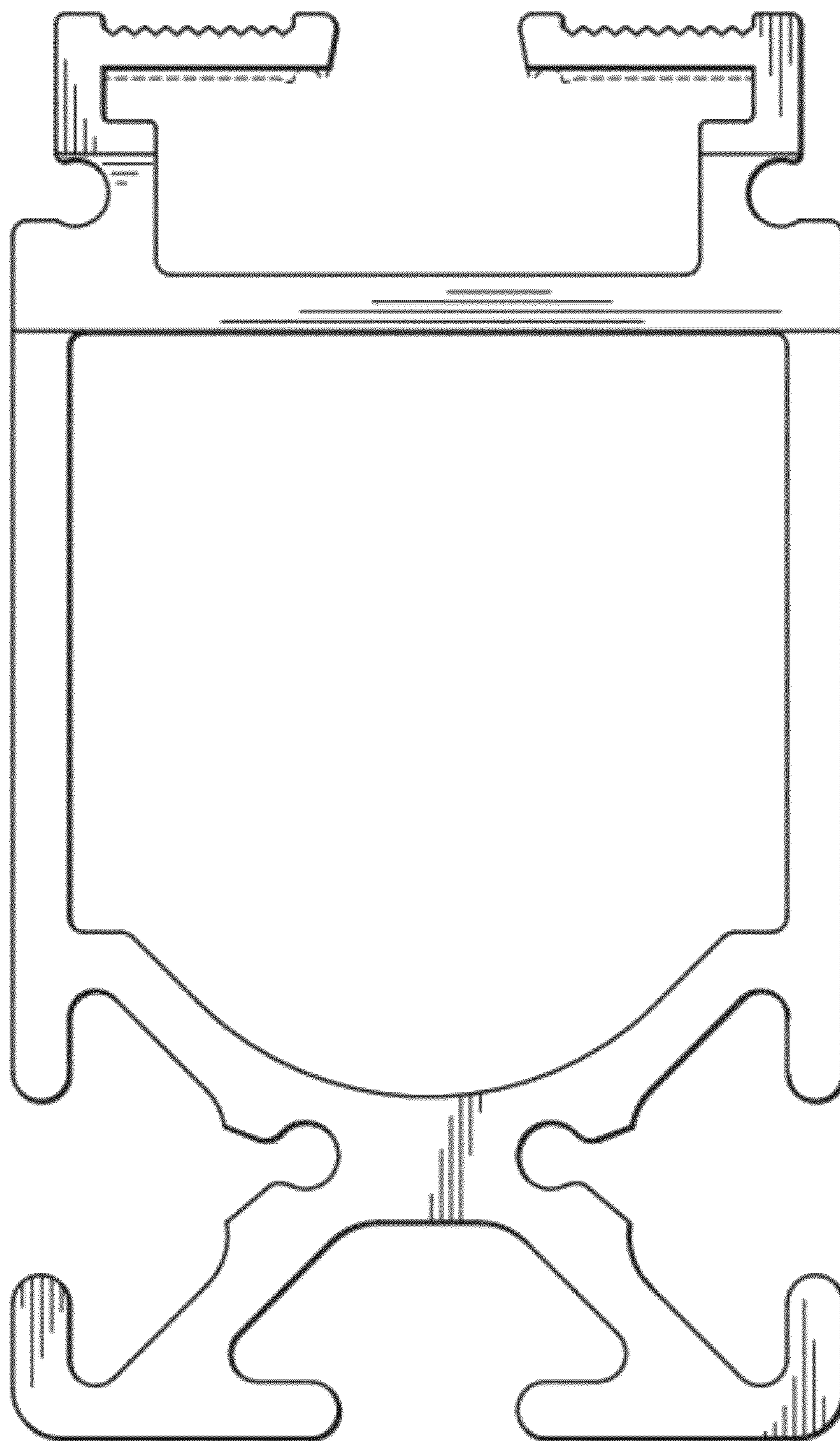


FIG. 2



FIG. 3