

US00D663066S

(12) **United States Design Patent**
Wang et al.

(10) **Patent No.:** **US D663,066 S**
(45) **Date of Patent:** **** Jul. 3, 2012**

(54) **LAMP**

(75) Inventors: **Wei Wang**, Shenzhen (CN);
Wen-Hsiang Lu, Tu-Cheng (TW);
Chiang-Kuo Tang, Tu-Cheng (TW)

(73) Assignee: **Hon Hai Precision Industry Co., Ltd.**,
Tu-Cheng, New Taipei (TW)

(**) Term: **14 Years**

(21) Appl. No.: **29/387,628**

(22) Filed: **Mar. 16, 2011**

(51) **LOC (9) Cl.** **26-03**

(52) **U.S. Cl.** **D26/93**

(58) **Field of Classification Search** D26/1,
D26/24, 67-6, 93-94, 101, 104-110, 113;
362/3, 153, 186, 217, 255, 257, 277, 317,
362/351, 353, 362, 363, 382, 431, 433, 458,
362/806

See application file for complete search history.

(56) **References Cited**

U.S. PATENT DOCUMENTS

D63,321 S	*	11/1923	Pirson	D26/93
D548,875 S	*	8/2007	Schieber	D26/93
D590,092 S	*	4/2009	Starck	D26/93
D610,739 S	*	2/2010	Jourdan	D26/93
D647,242 S	*	10/2011	Staples	D26/93

FOREIGN PATENT DOCUMENTS

JP	D1137106	3/2002
TW	D124682	1/2011

* cited by examiner

Primary Examiner — Brian N Vinson

(74) *Attorney, Agent, or Firm* — Altis Law Group, Inc.

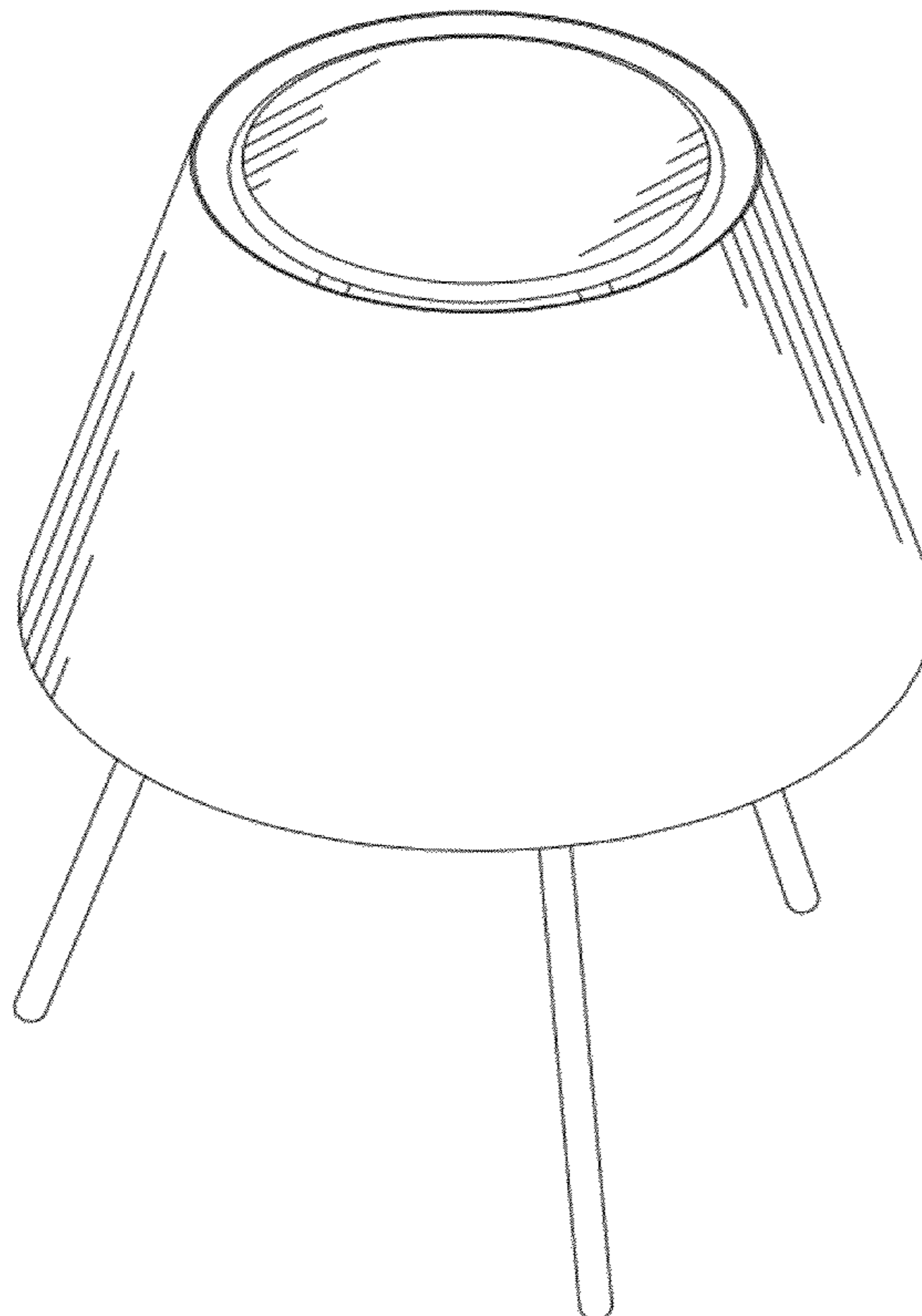
(57) **CLAIM**

The ornamental design for a lamp, as shown and described.

DESCRIPTION

FIG. 1 is a perspective view of one embodiment of a lamp showing our design;
 FIG. 2 is a front elevational view of the lamp of FIG. 1;
 FIG. 3 is a rear elevational view of the lamp of FIG. 1;
 FIG. 4 is a left side elevational view of the lamp of FIG. 1;
 FIG. 5 is a right side elevational view of the lamp of FIG. 1;
 FIG. 6 is a top plan view of the lamp of FIG. 1;
 FIG. 7 is a bottom plan view of the lamp of FIG. 1;
 FIG. 8 is a perspective view of another embodiment of a lamp showing our design;
 FIG. 9 is a front elevational view of the lamp of FIG. 8;
 FIG. 10 is a rear elevational view of the lamp of FIG. 8;
 FIG. 11 is a left side elevational view of the lamp of FIG. 8;
 FIG. 12 is a right side elevational view of the lamp of FIG. 8;
 FIG. 13 is a top plan view of the lamp of FIG. 8; and,
 FIG. 14 is a bottom plan view of the lamp of FIG. 8.

1 Claim, 14 Drawing Sheets



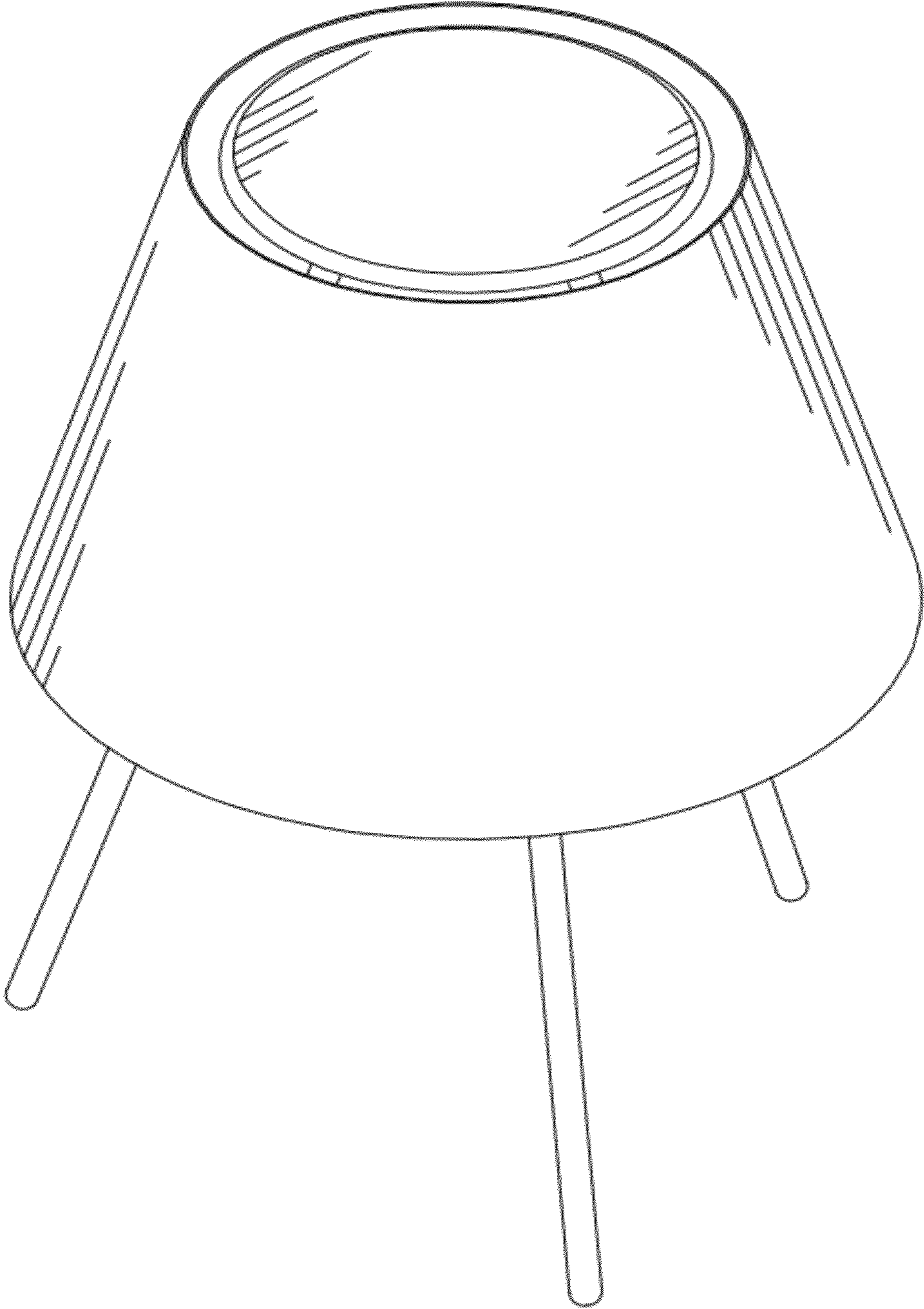


FIG. 1

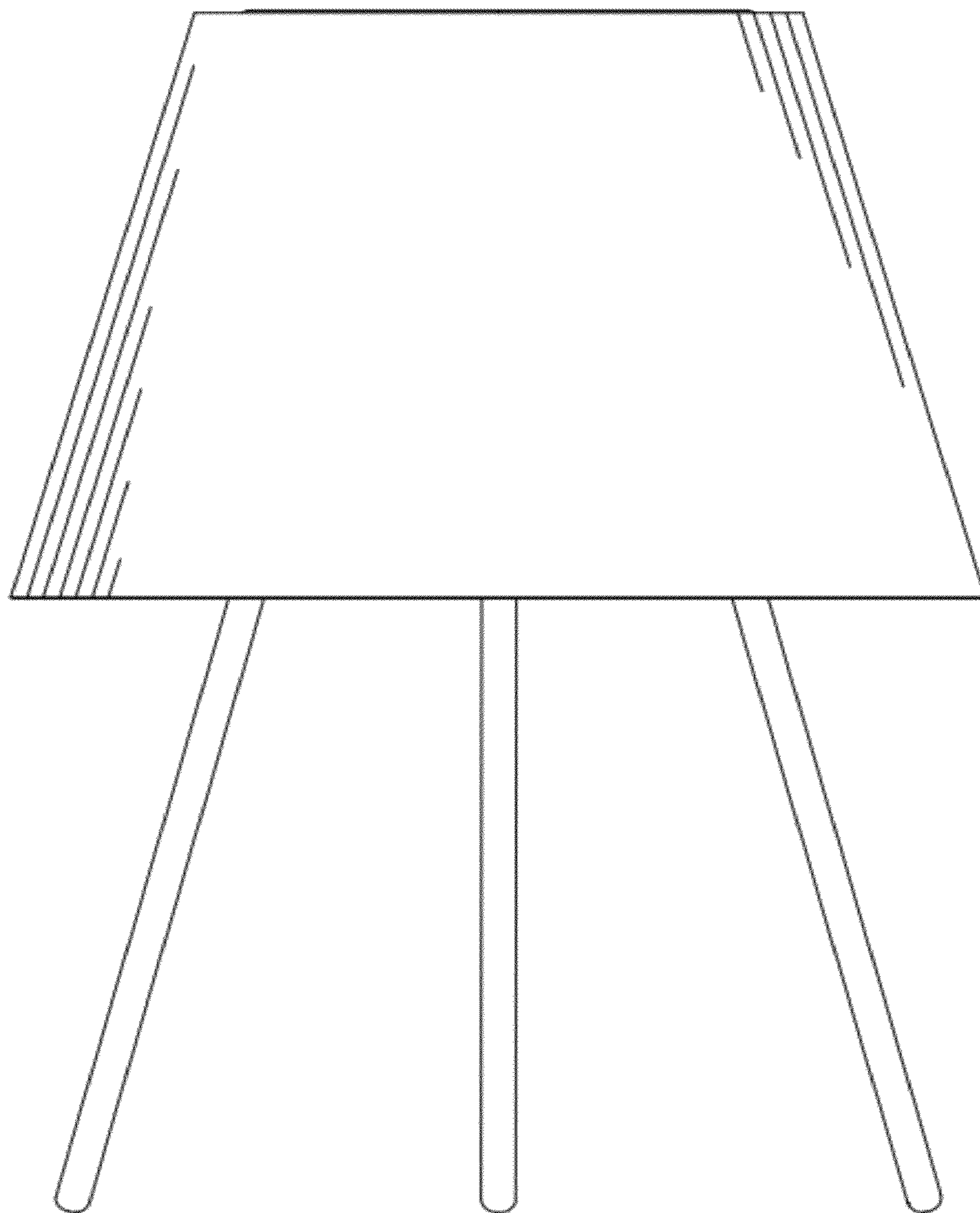


FIG. 2

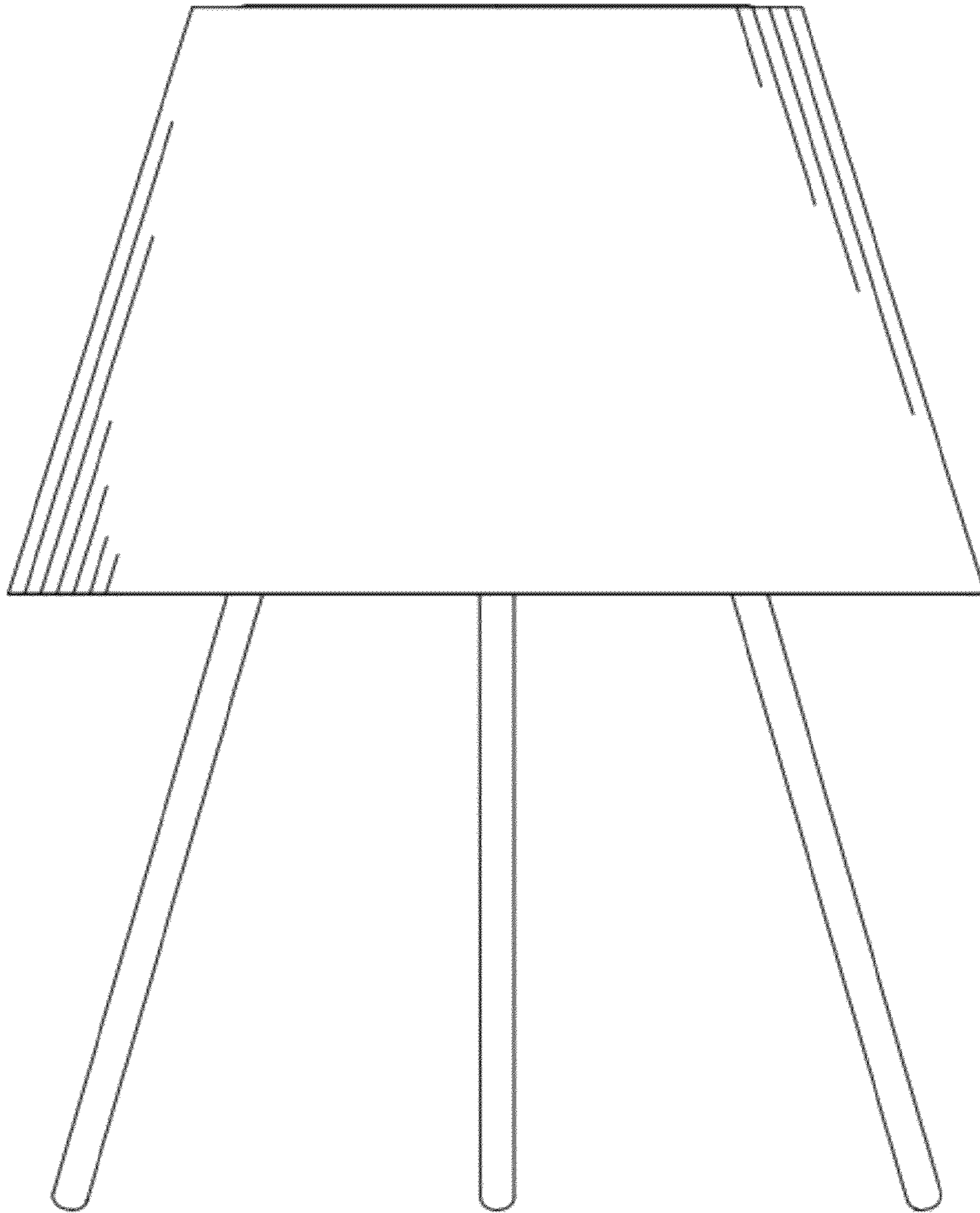


FIG. 3

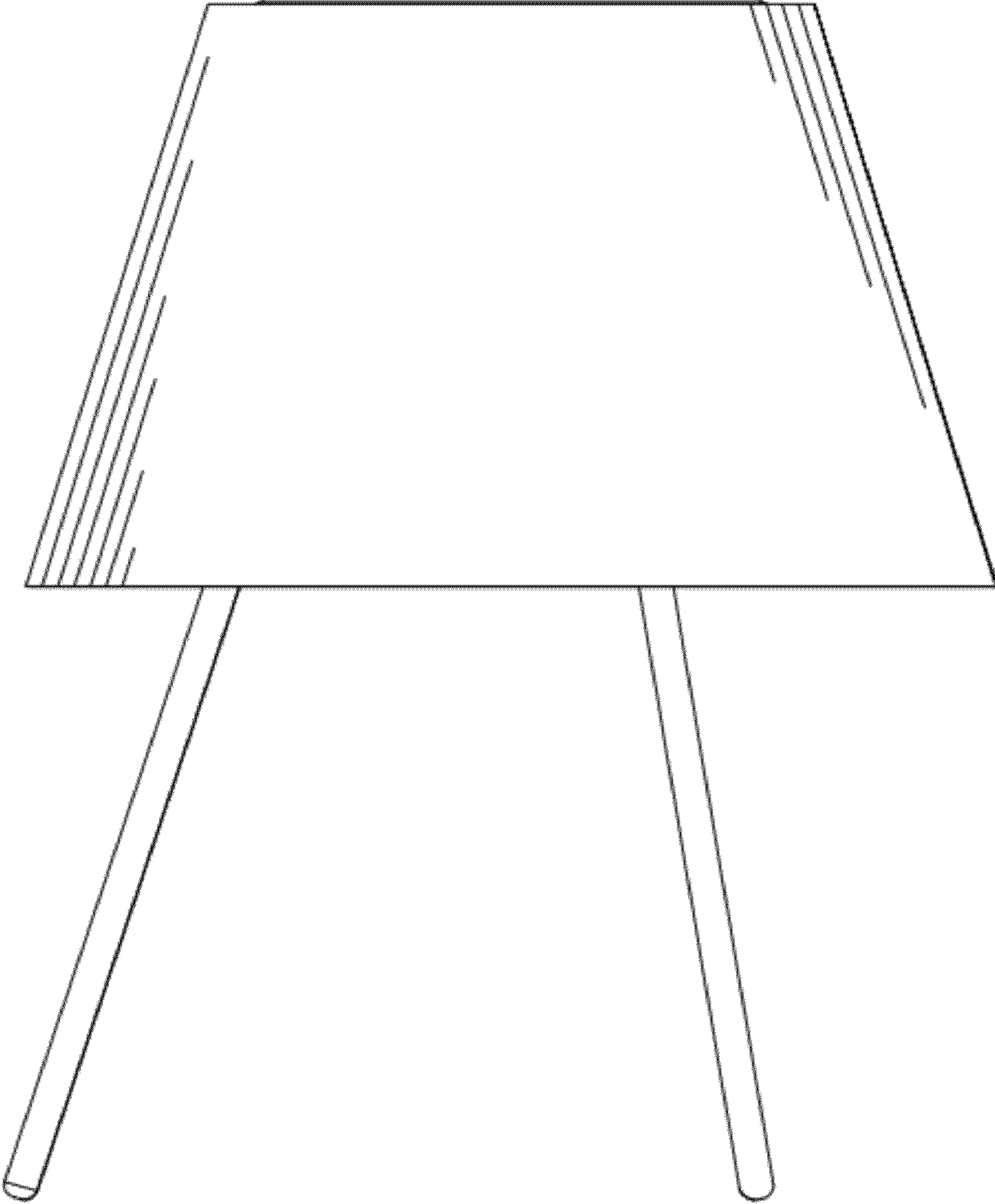


FIG. 4

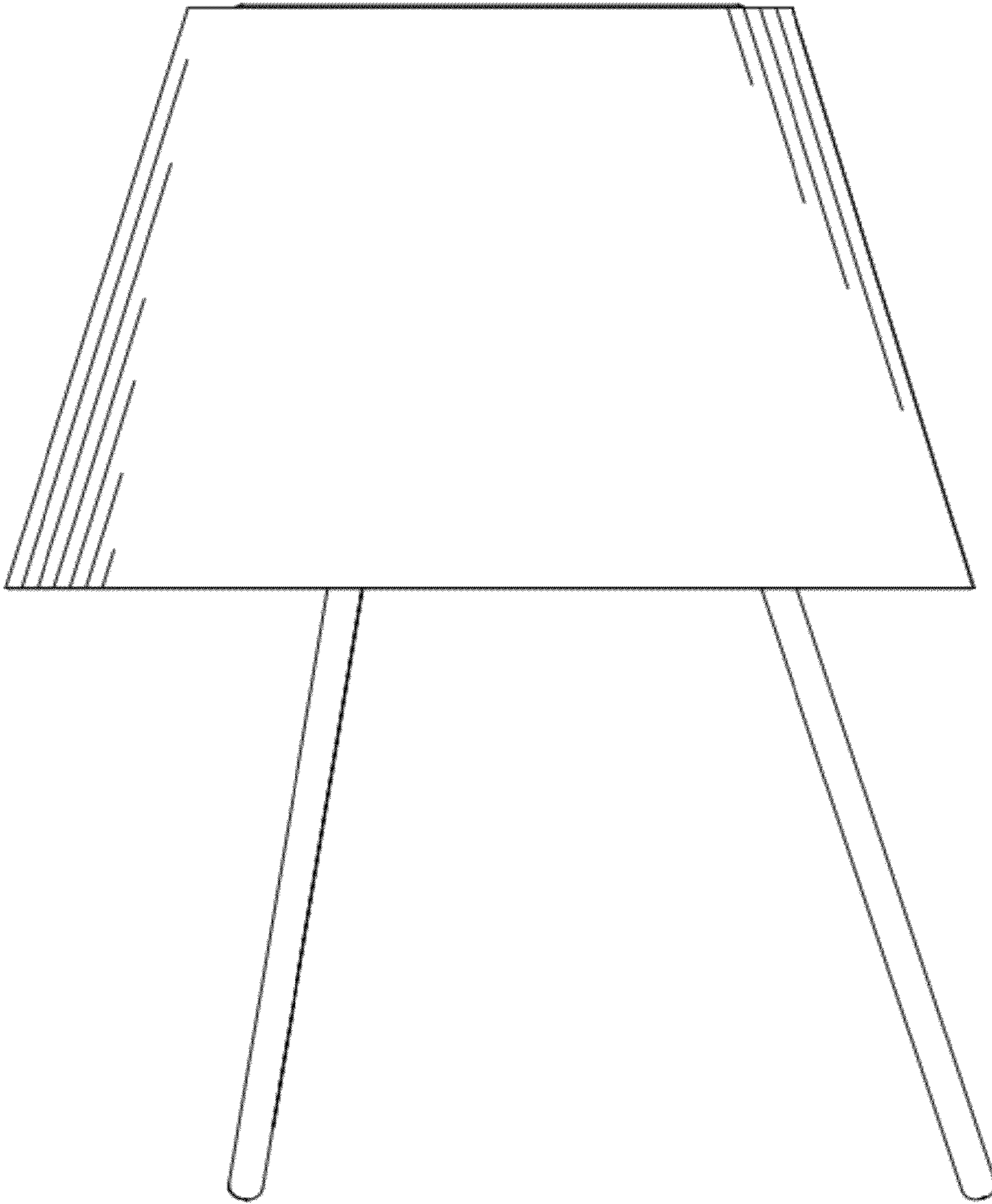


FIG. 5

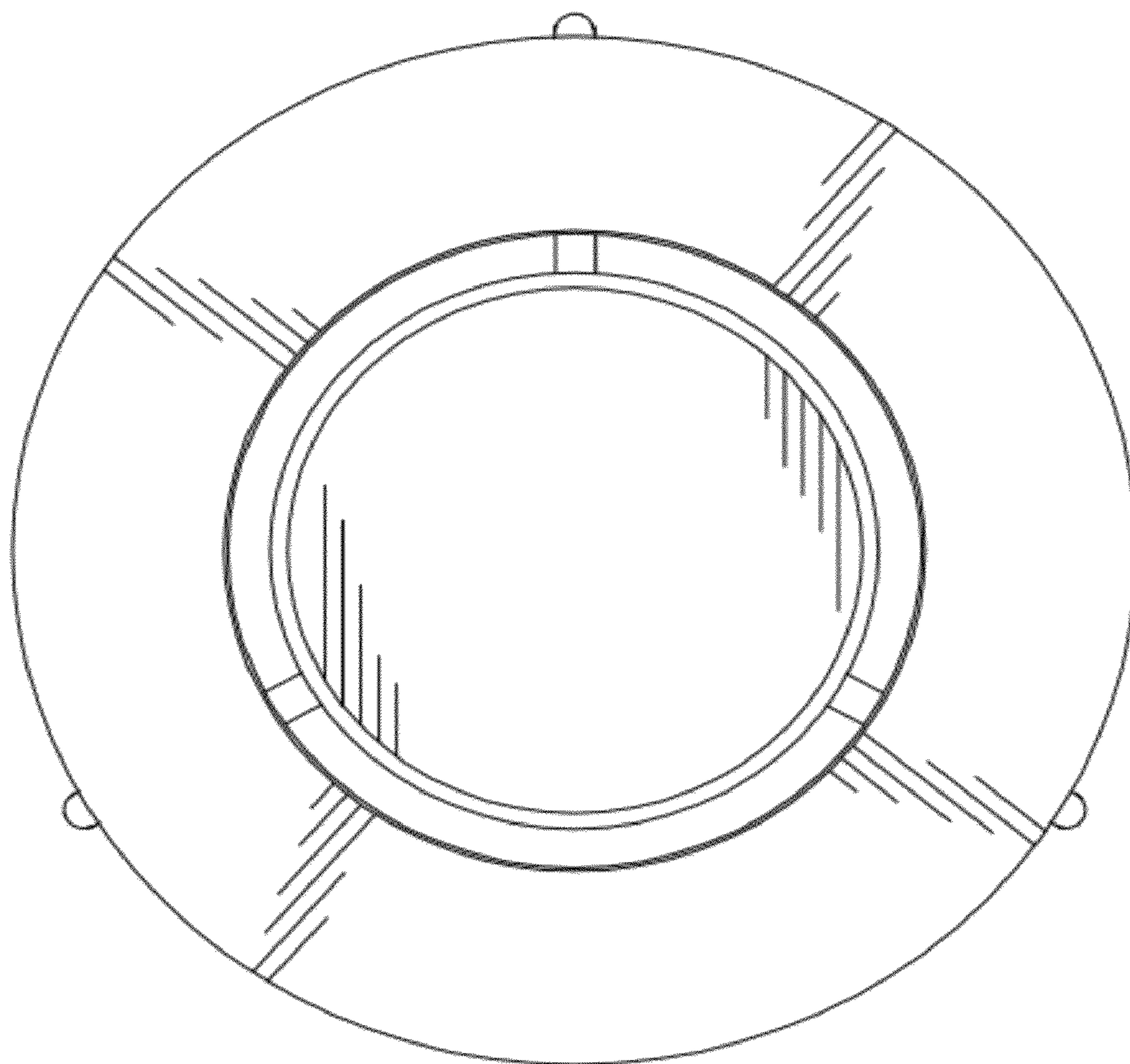


FIG. 6

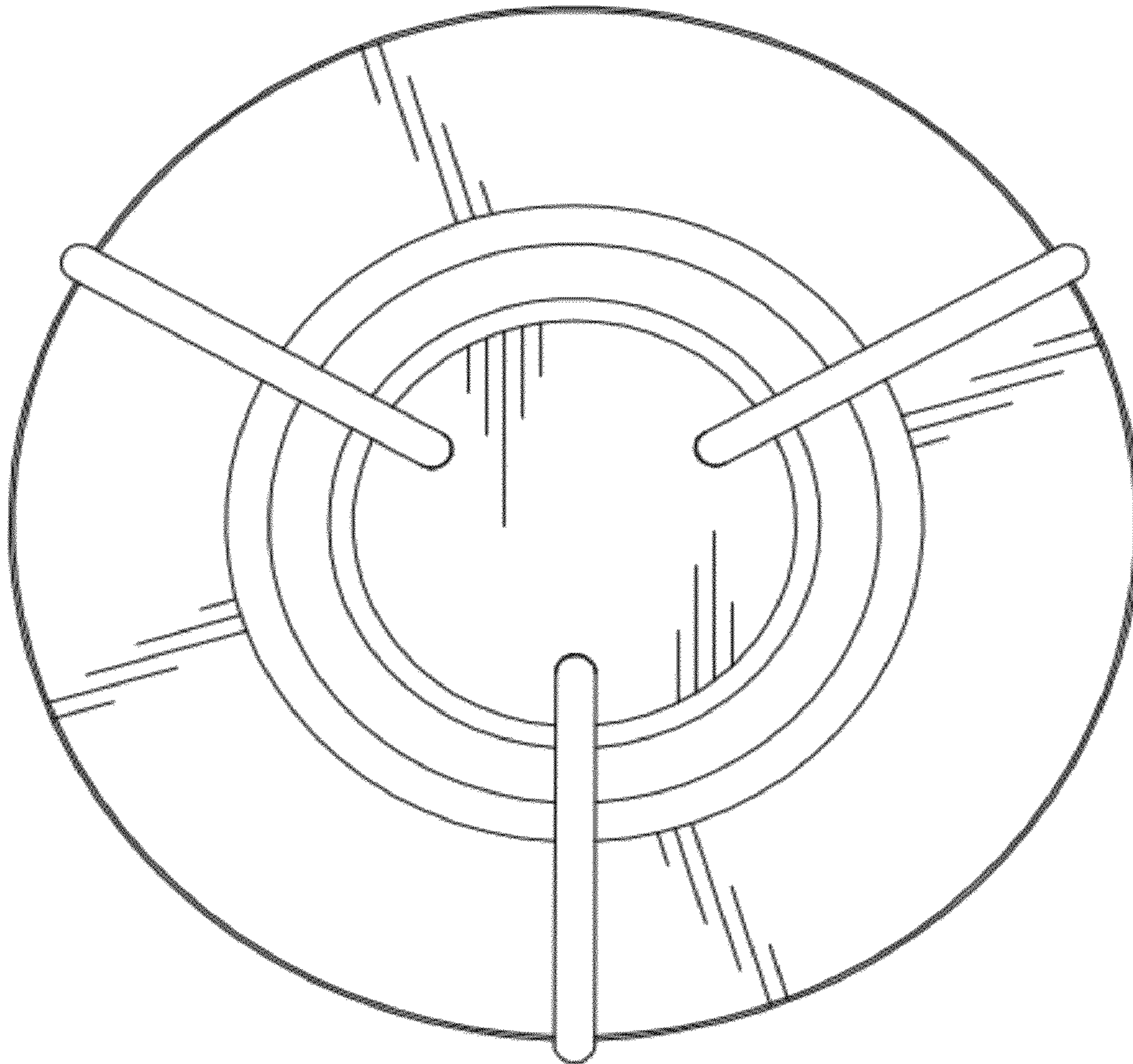


FIG. 7

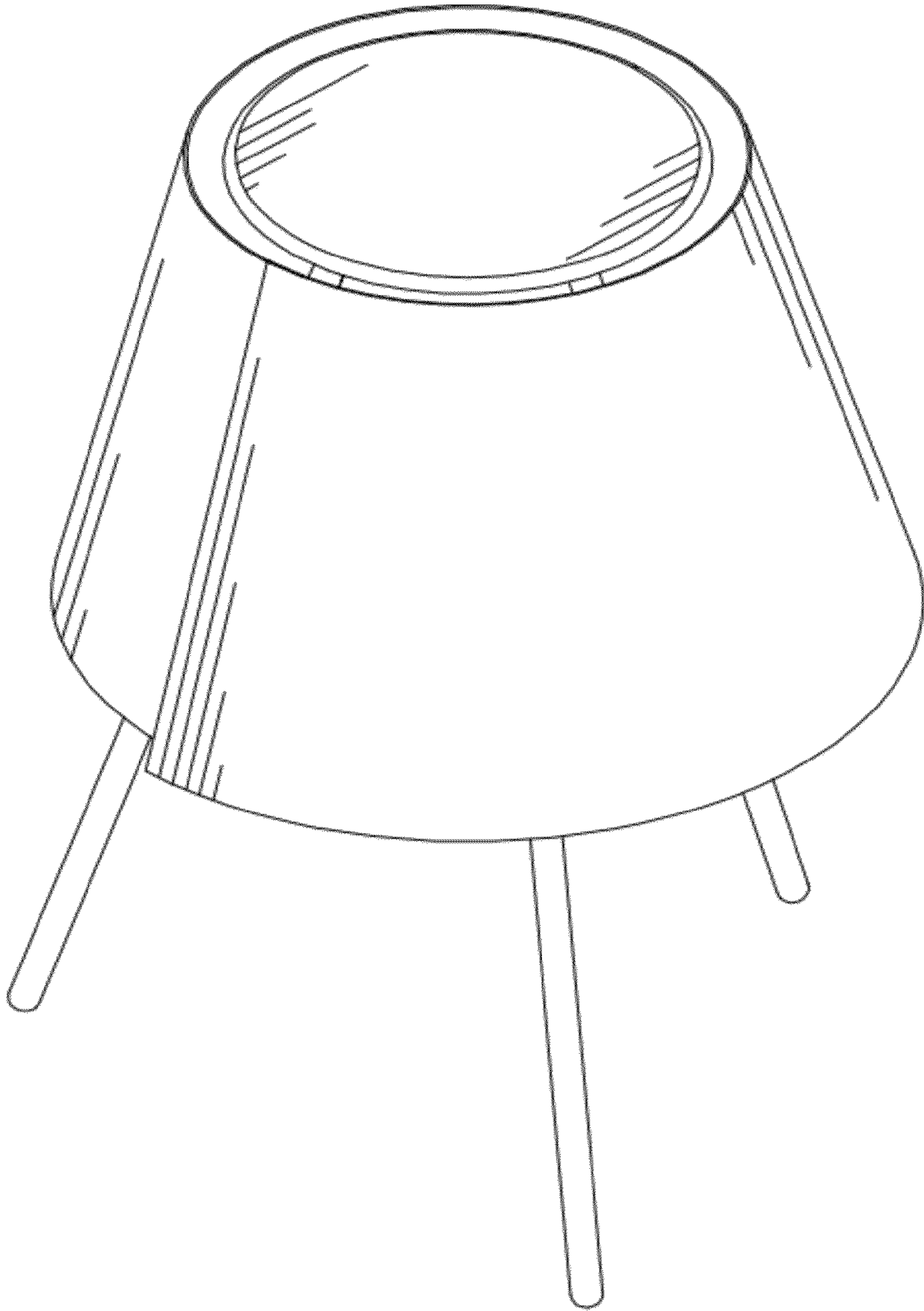


FIG. 8

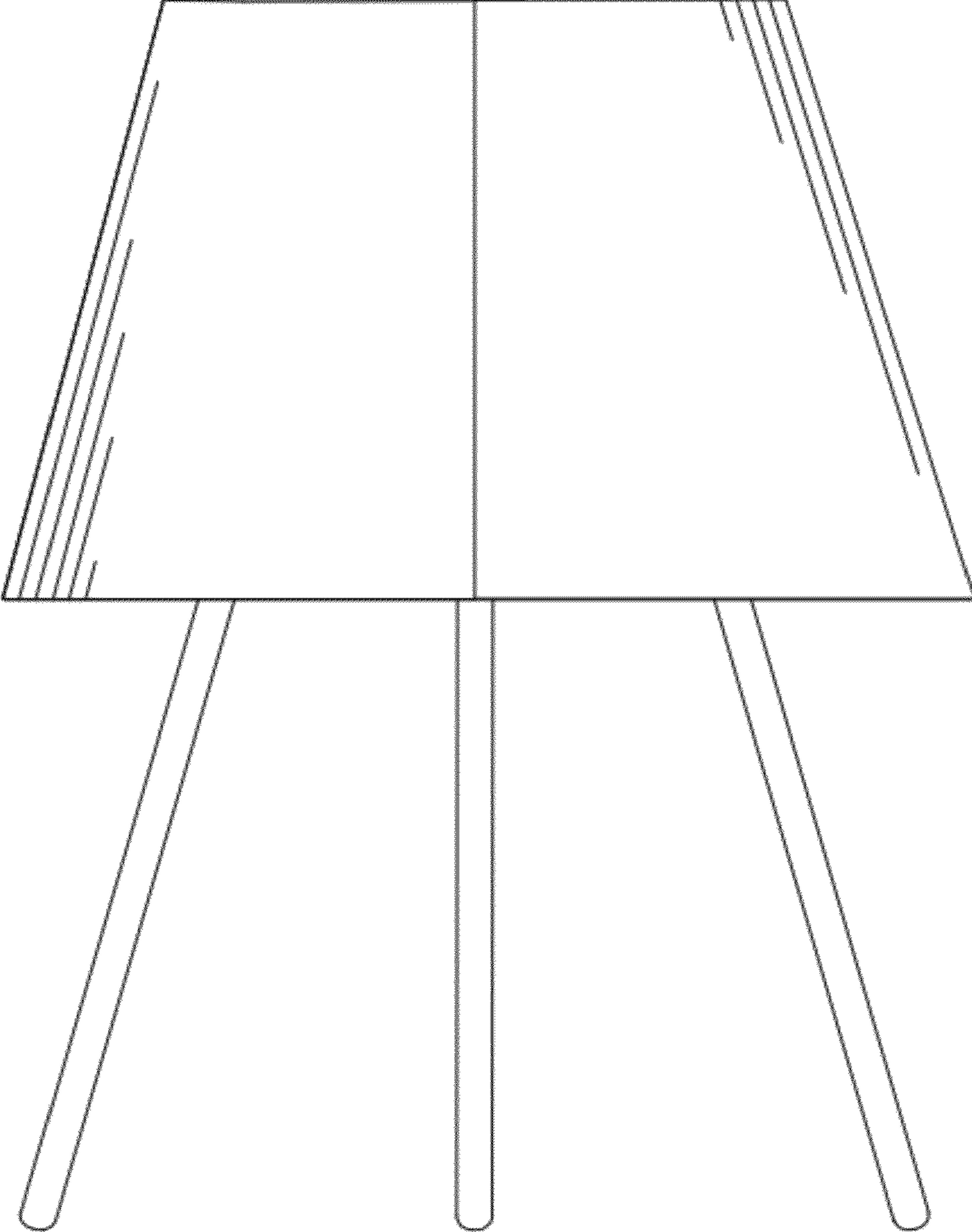


FIG. 9

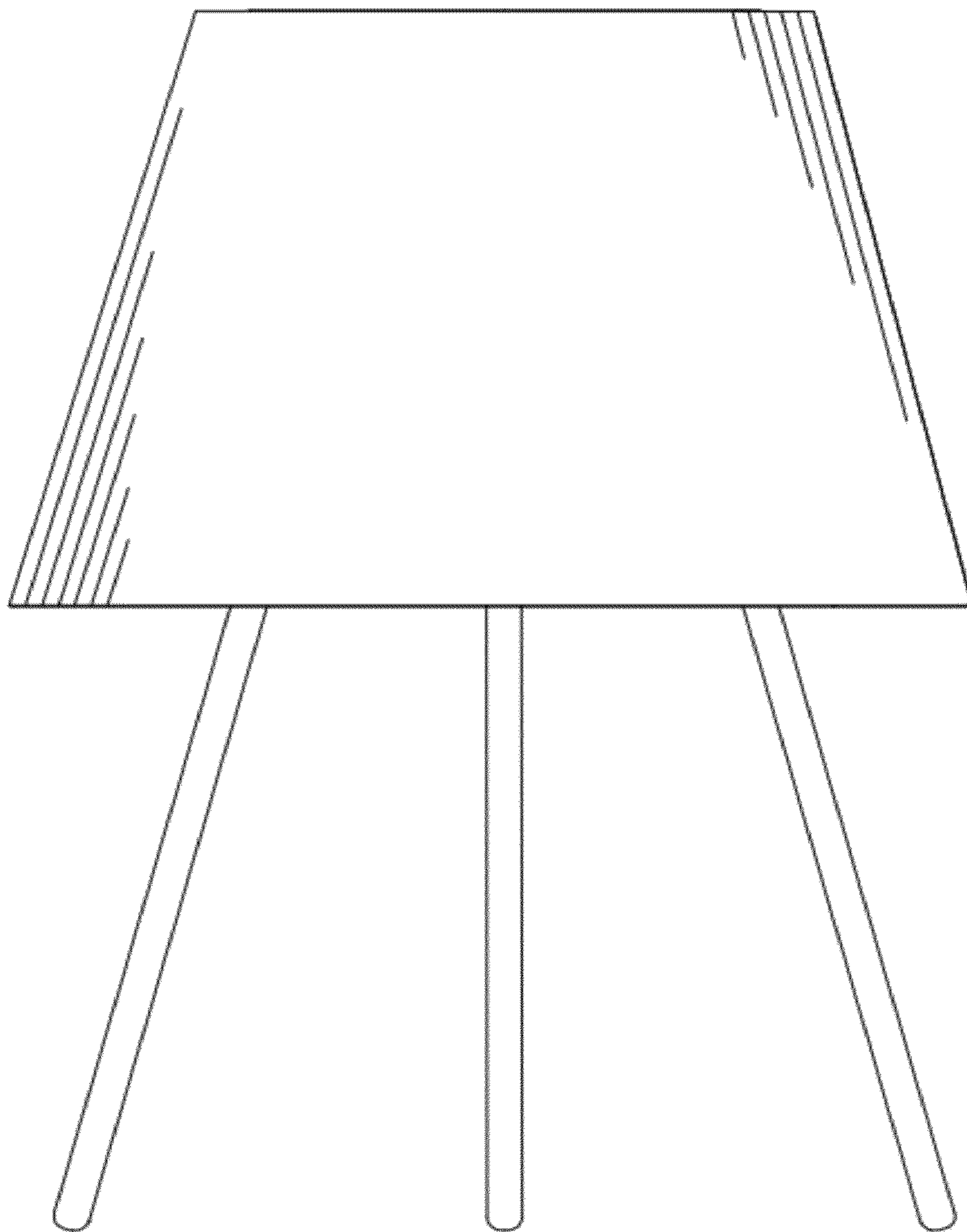


FIG. 10

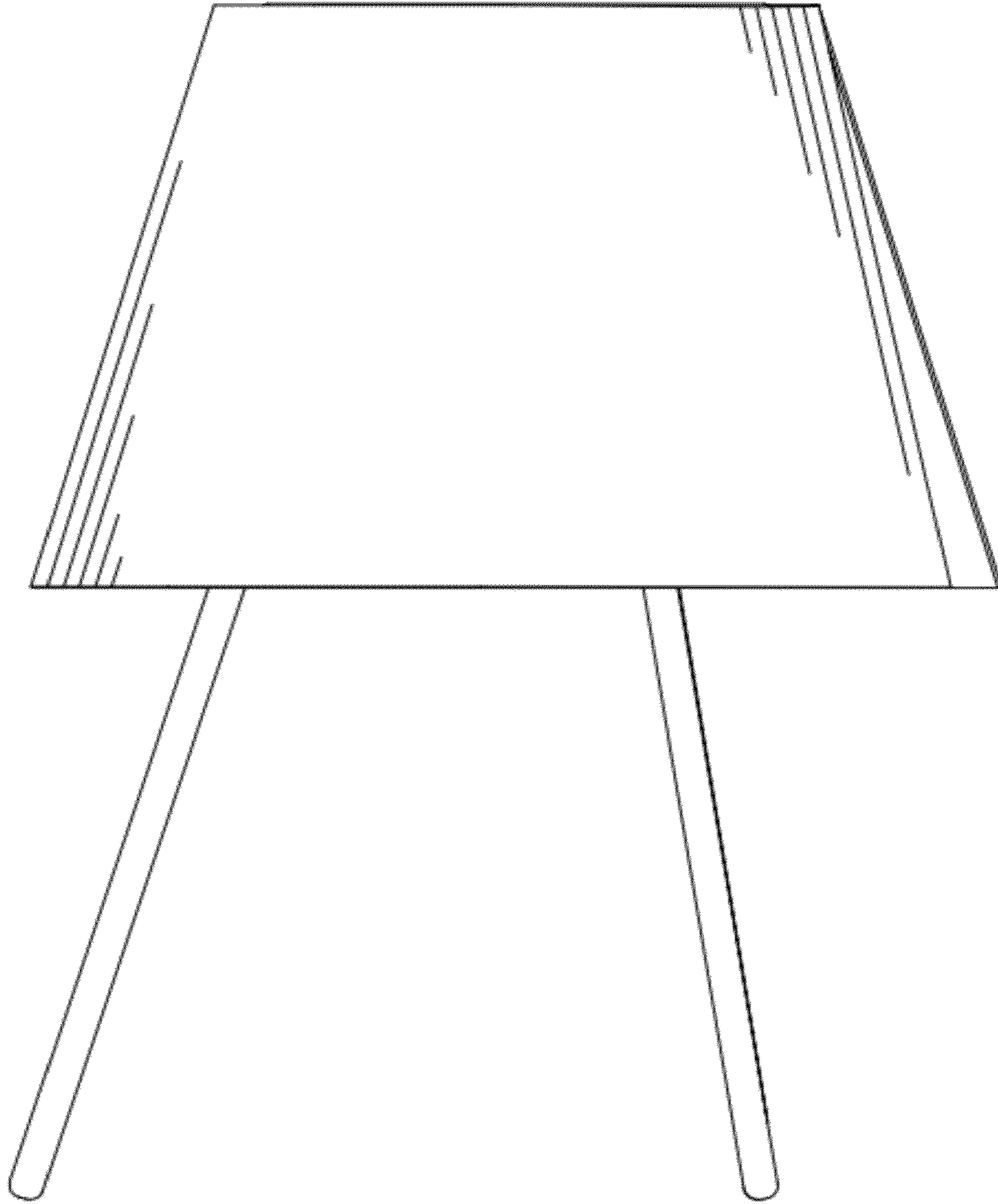


FIG. 11

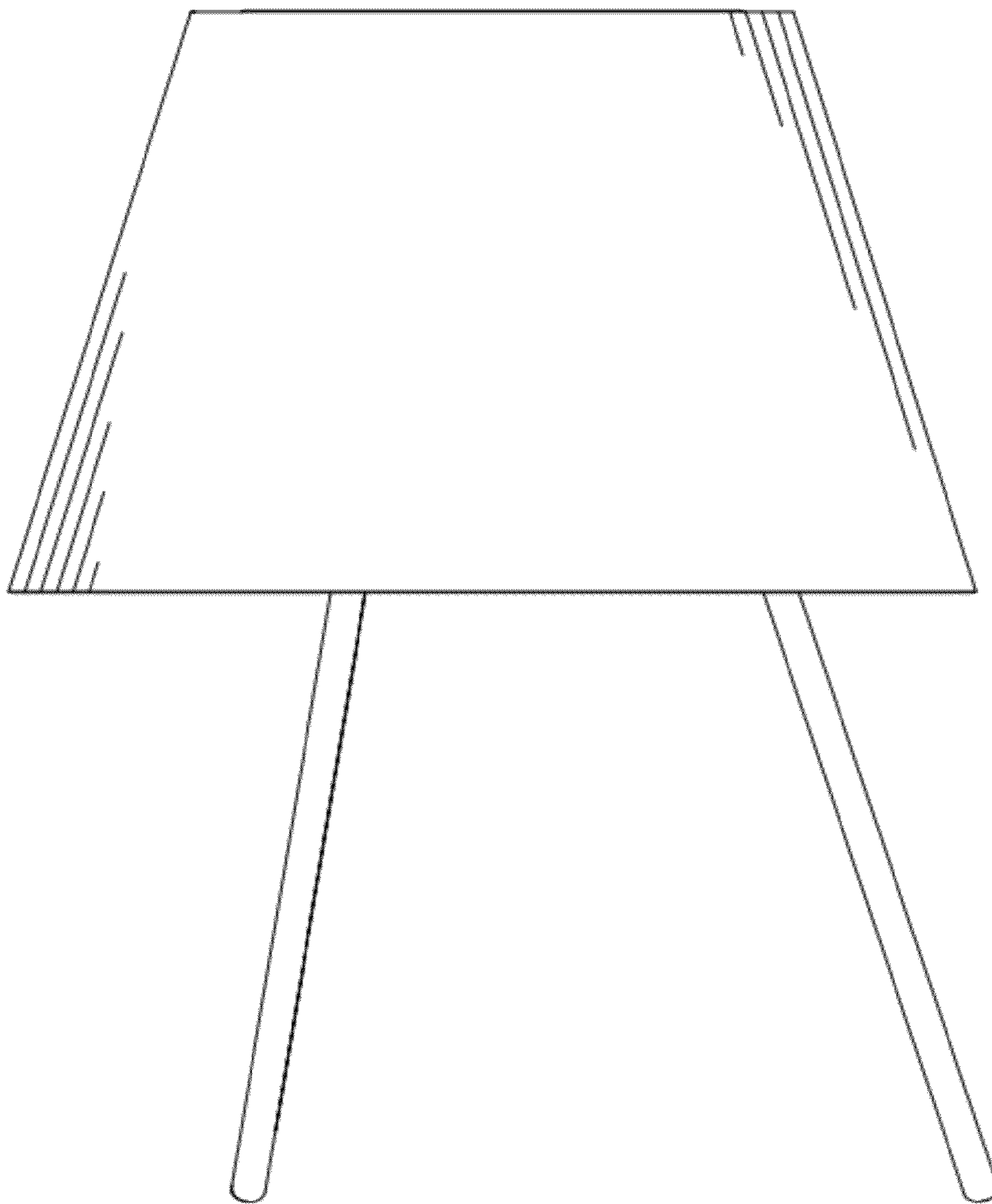


FIG. 12

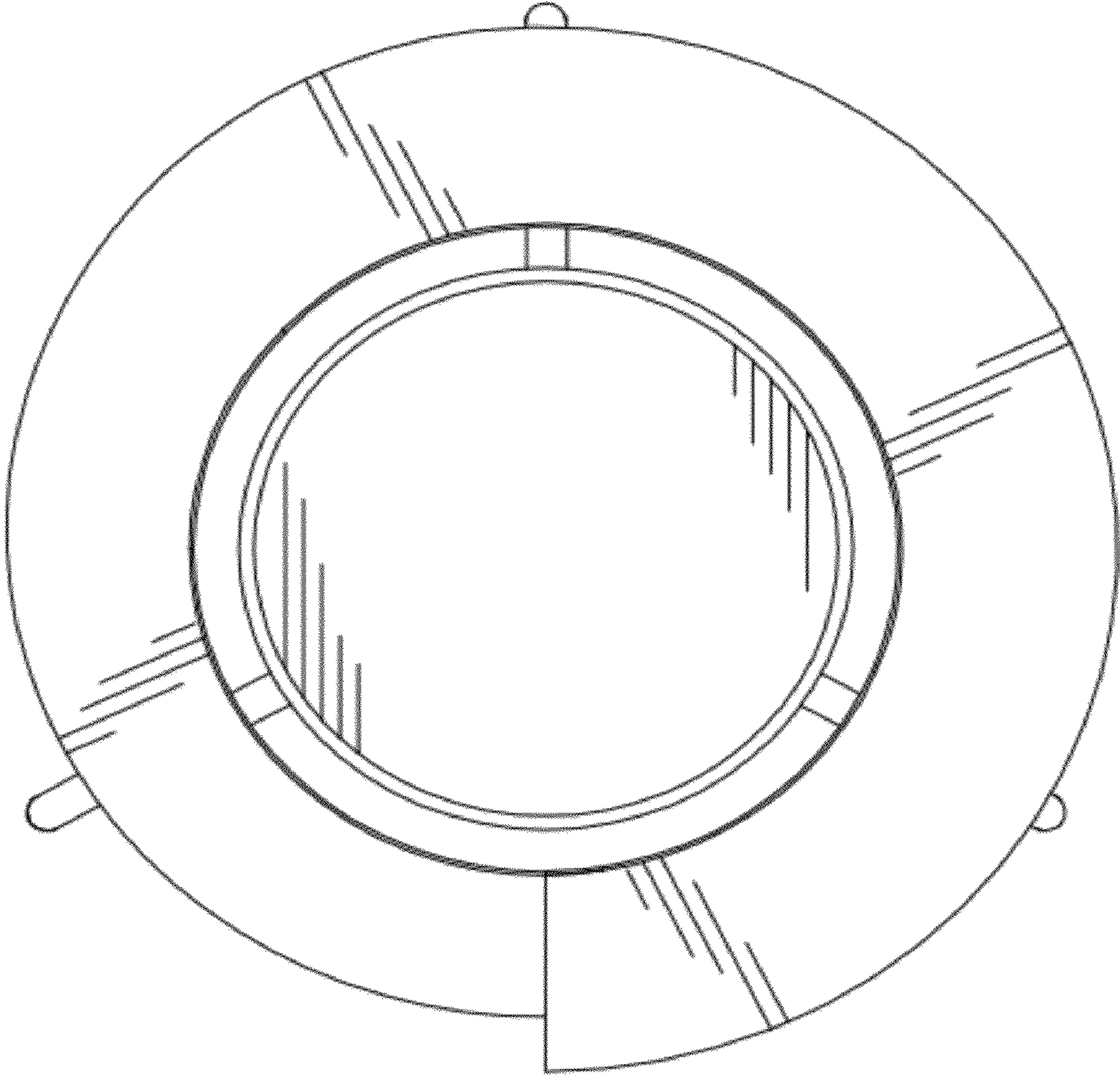


FIG. 13

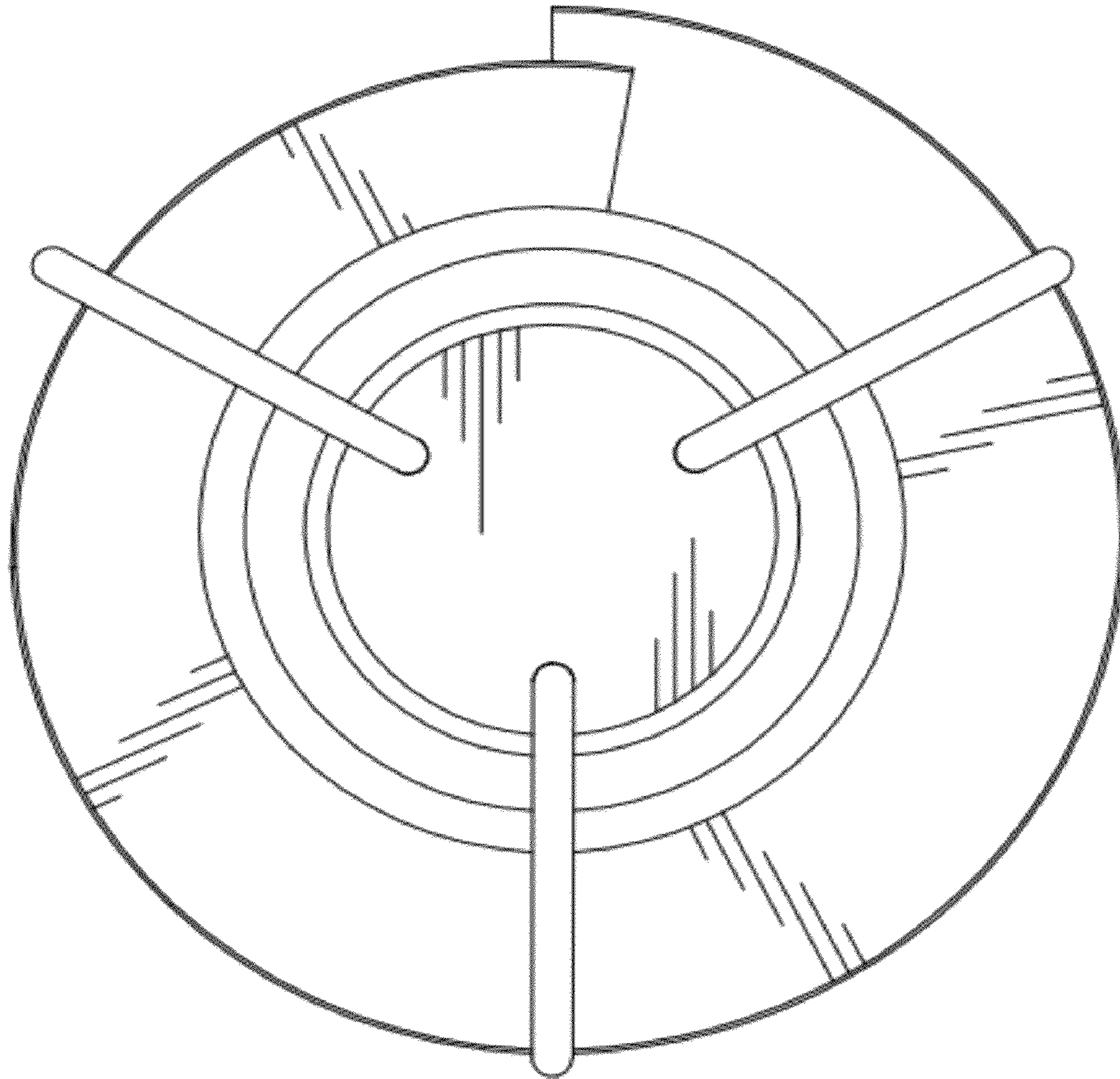


FIG. 14