

US00D663062S

(12) **United States Design Patent**
Ng et al.

(10) **Patent No.:** **US D663,062 S**
(45) **Date of Patent:** **** Jul. 3, 2012**

(54) **DESK LAMP**

(75) Inventors: **Kenneth Ng**, Alhambra, CA (US);
Edmund Ng, Pasadena, CA (US); **Peter Ng**, Hong Kong (CN)

(73) Assignee: **Koncept Technologies Inc.**, Monrovia, CA (US)

(**) Term: **14 Years**

(21) Appl. No.: **29/391,930**

(22) Filed: **May 13, 2011**

(51) **LOC (9) Cl.** **26-05**

(52) **U.S. Cl.** **D26/65**

(58) **Field of Classification Search** D26/60-66,
D26/93, 106-109, 102, 104, 118, 105; 362/145,
362/153, 153.1, 217.02, 220, 223, 238, 240,
362/249.1, 249.01-249.03, 249.07, 249.09,
362/421, 427, 413, 269, 270, 274, 275, 277,
362/280-285, 287, 288, 311.02, 800, 555,
362/278, 418, 419, 431, 449, 319, 322, 361,
362/227

See application file for complete search history.

(56) **References Cited**

U.S. PATENT DOCUMENTS

D486,938 S * 2/2004 Waldmann D26/60
D574,530 S * 8/2008 Tragatschnig D26/61

D606,692 S * 12/2009 Waldmann D26/65
D617,933 S * 6/2010 Ng D26/65
D622,885 S * 8/2010 Ng et al. D26/65
D628,729 S * 12/2010 Citterio D26/65
D640,818 S * 6/2011 Ng et al. D26/65
D650,937 S * 12/2011 Horsley D26/65

* cited by examiner

Primary Examiner — Susan M Lee

Assistant Examiner — Linda G. Brooks

(74) *Attorney, Agent, or Firm* — Foley & Lardner LLP

(57) **CLAIM**

We claim the ornamental design for a desk lamp, as shown and described.

DESCRIPTION

FIG. 1 is a perspective view of a desk lamp showing our new design;

FIG. 2 is a perspective fragmentary view therefore showing the light sources;

FIG. 3 is a left side view thereof;

FIG. 4 is a right side view thereof;

FIG. 5 is a front view thereof;

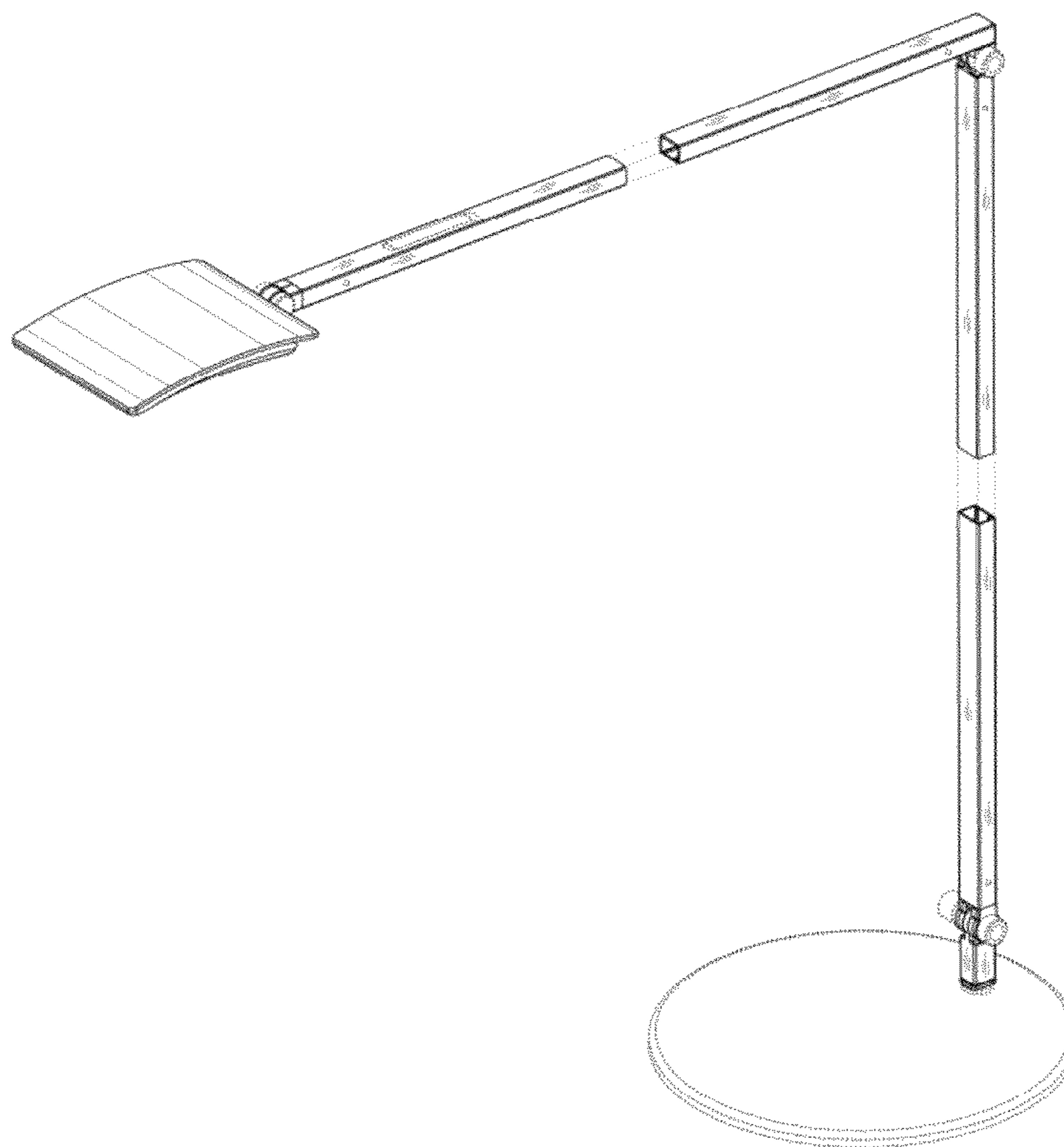
FIG. 6 is a rear view thereof;

FIG. 7 is a top view thereof; and,

FIG. 8 is a bottom view thereof.

The desk lamp is shown broken away to indicate that no particular length is claimed. The portions of the desk lamp shown in broken lines form no part of the claimed design.

1 Claim, 8 Drawing Sheets



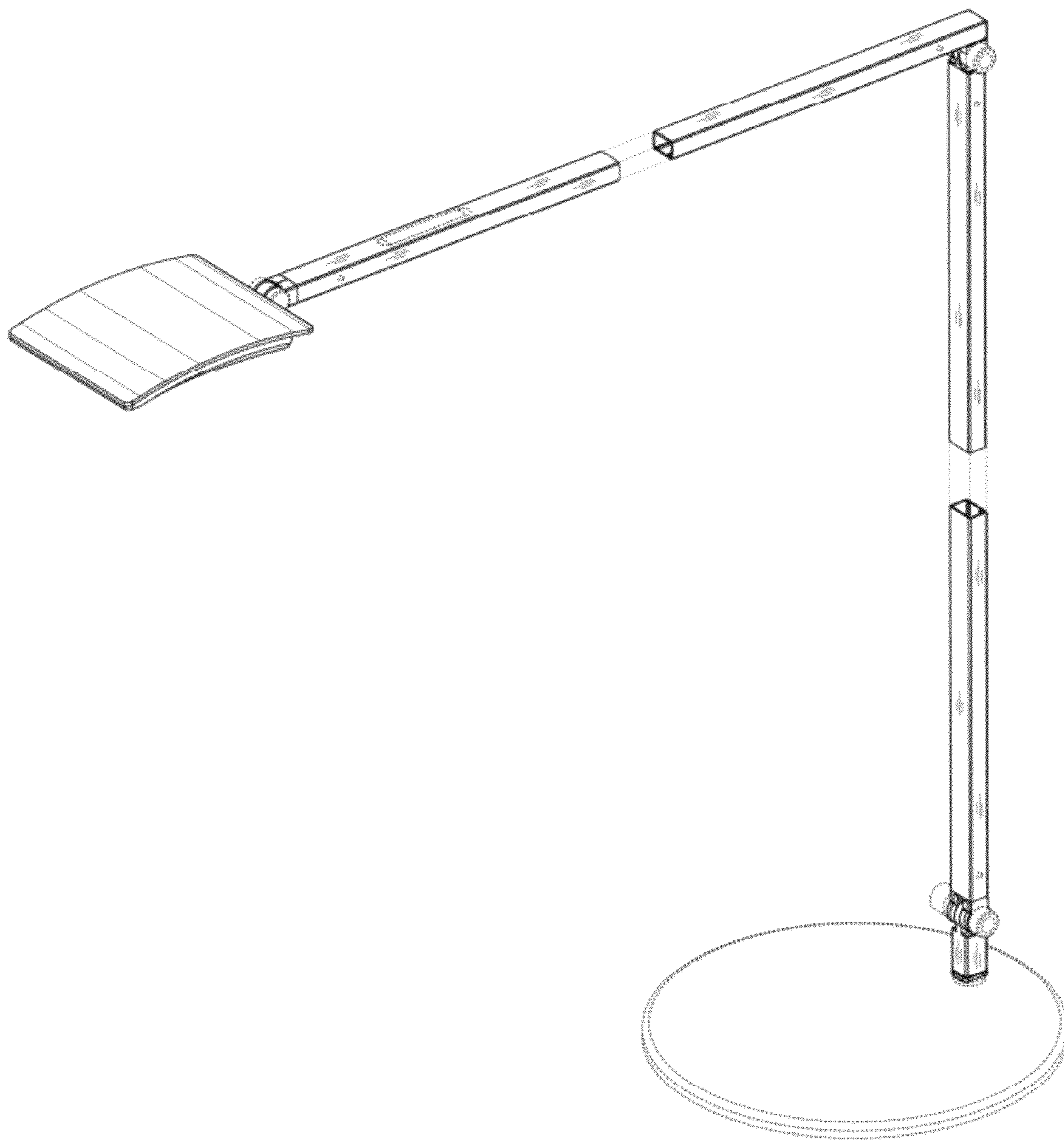


FIG. 1

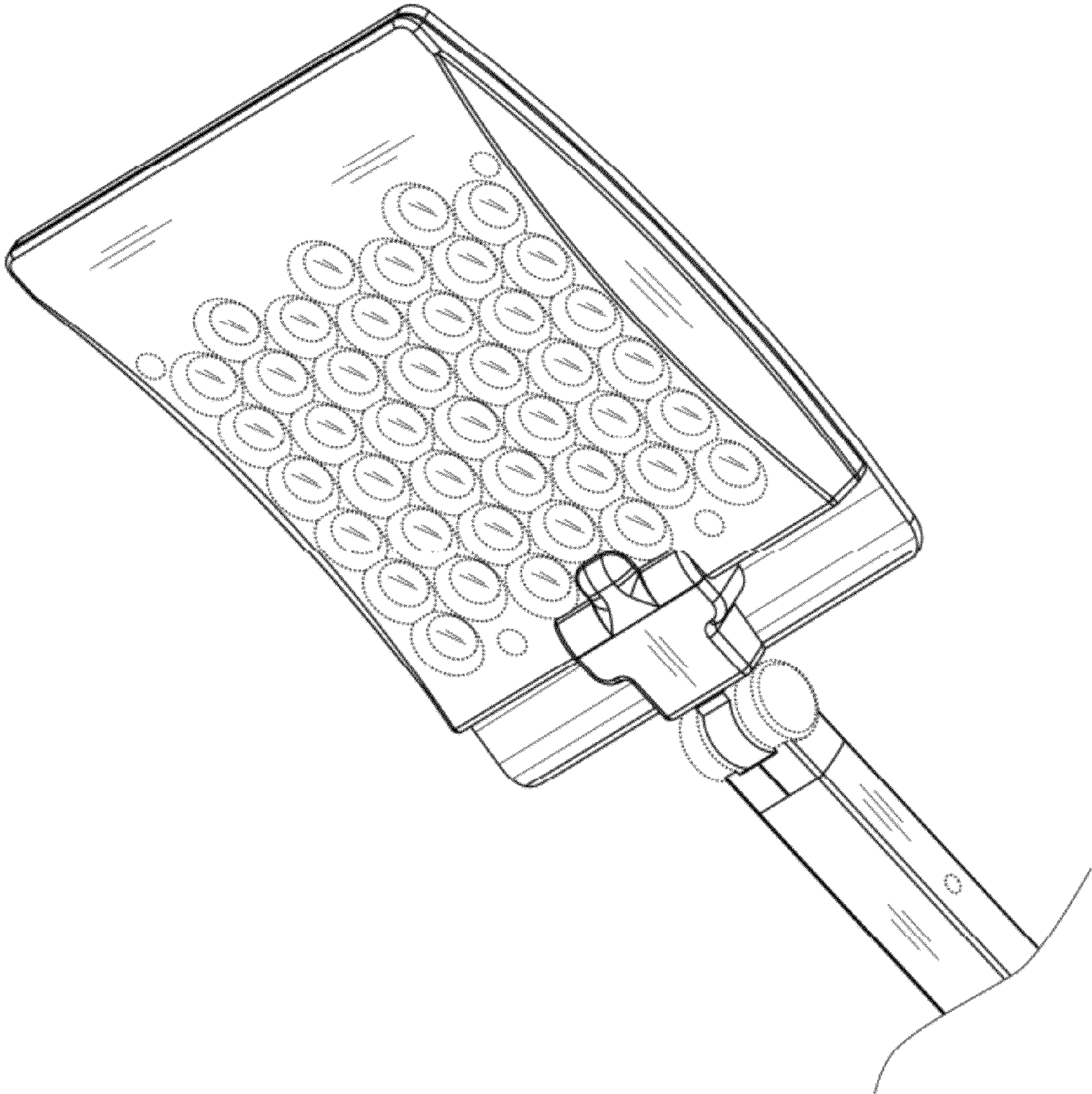


FIG. 2

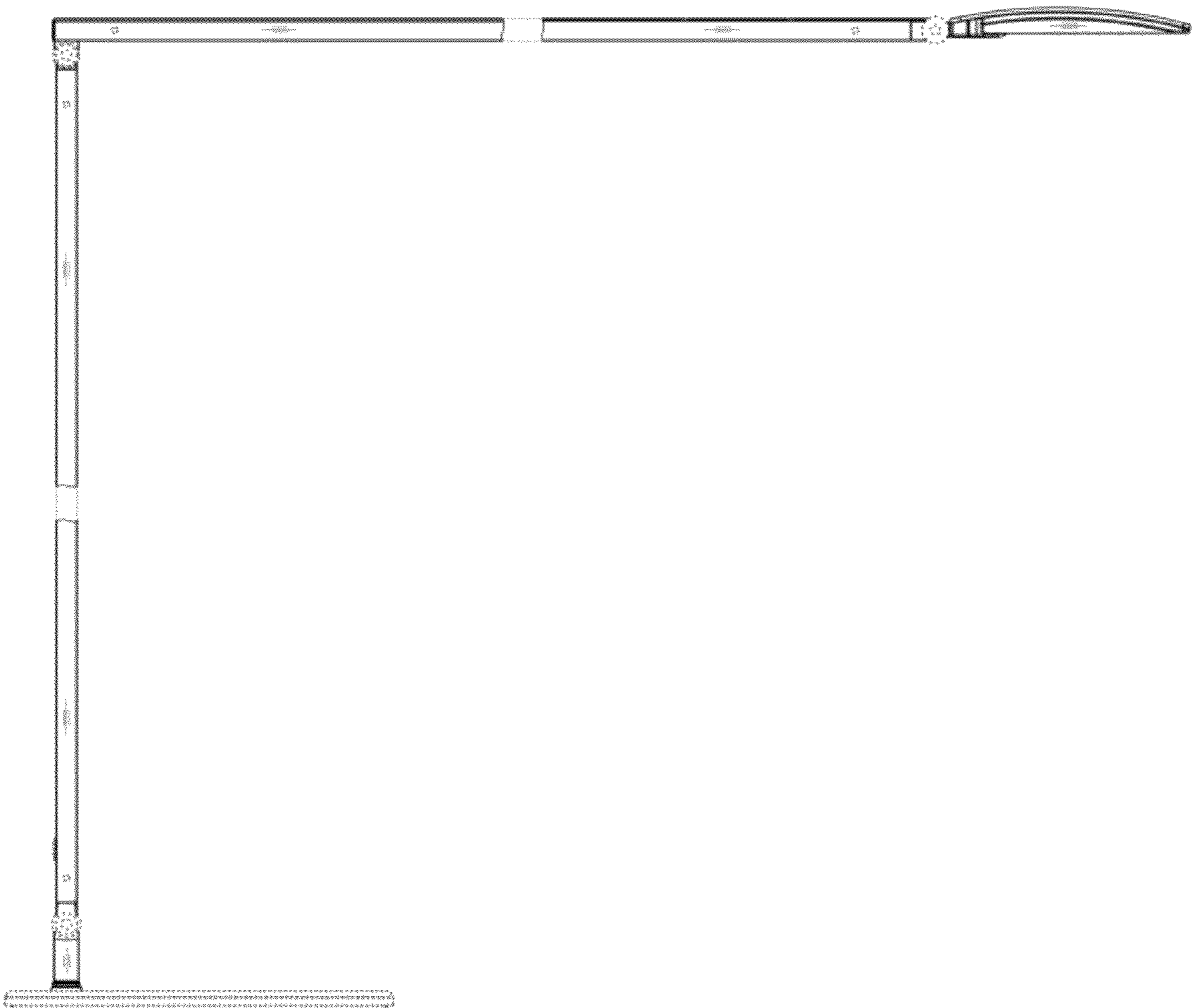


FIG. 3

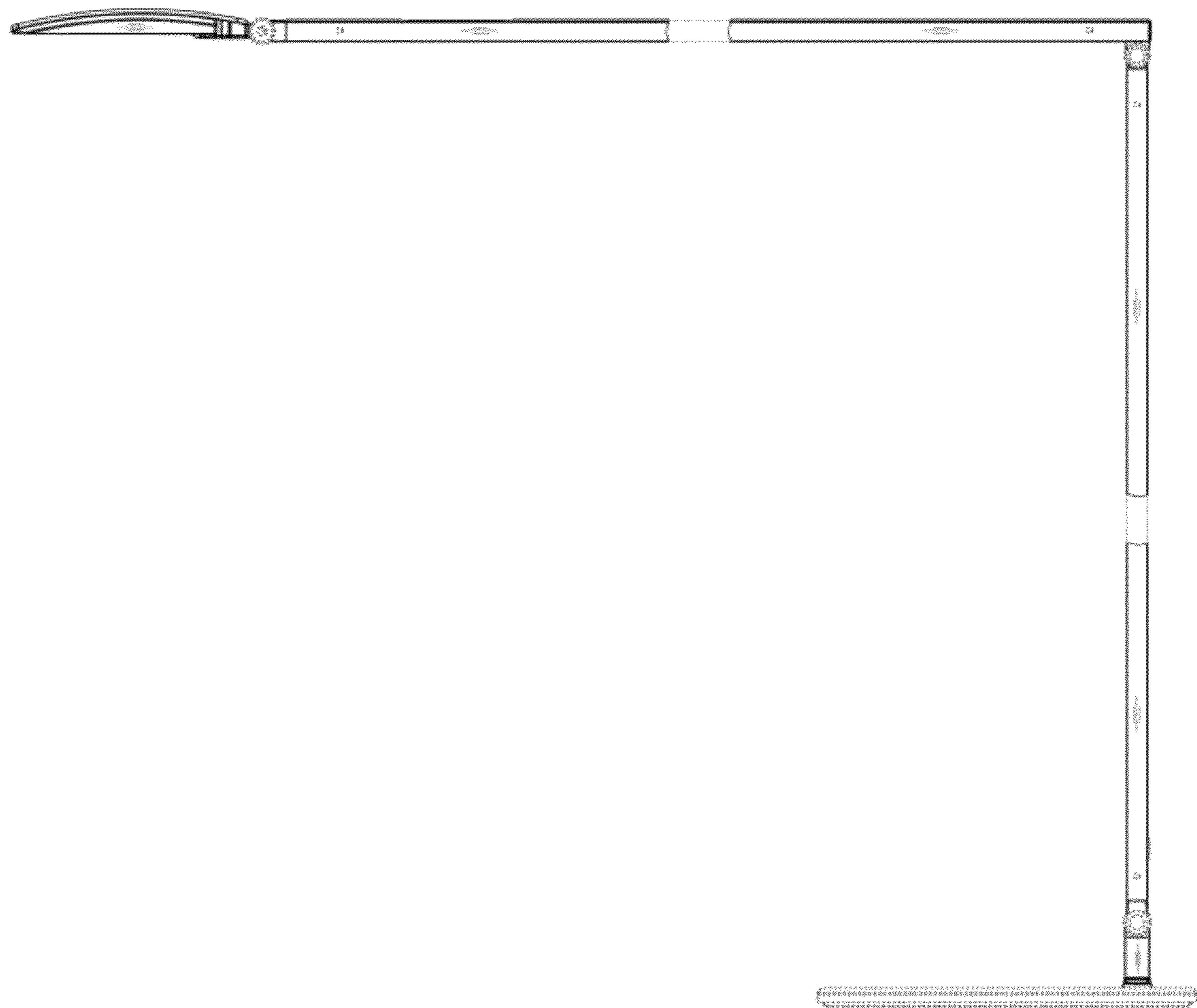


FIG. 4

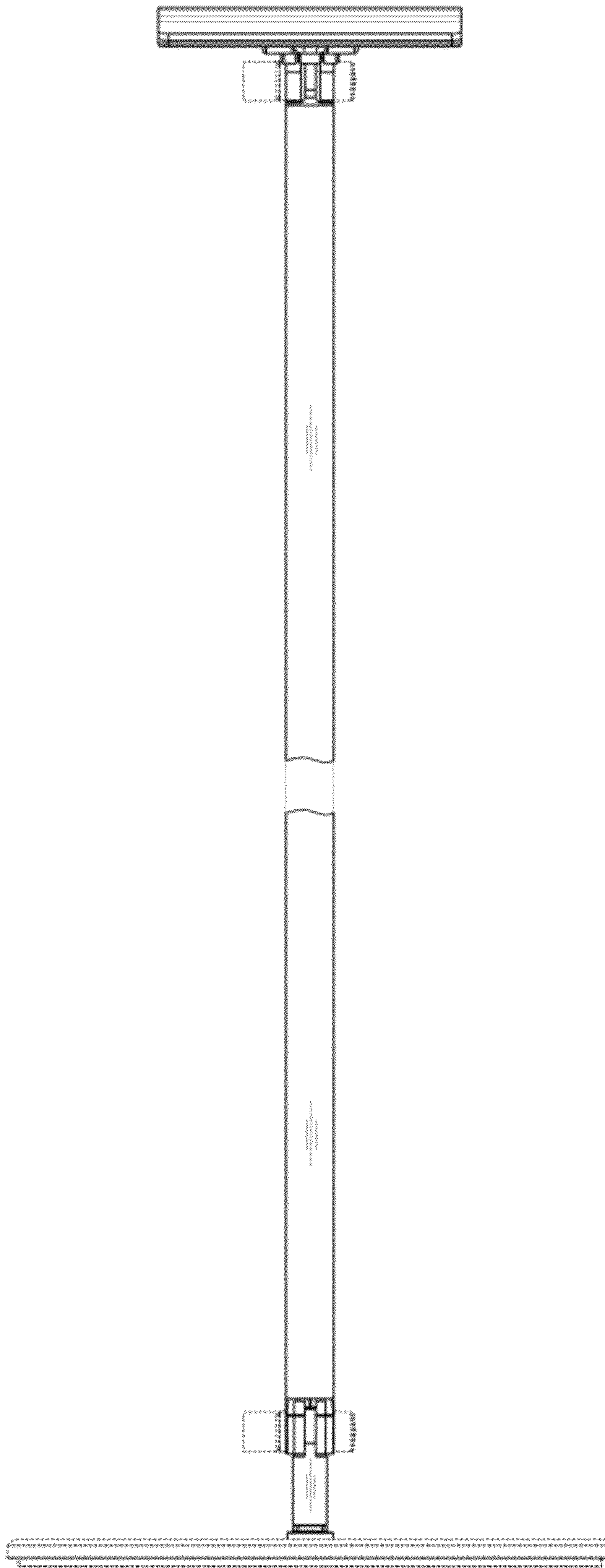


FIG. 5

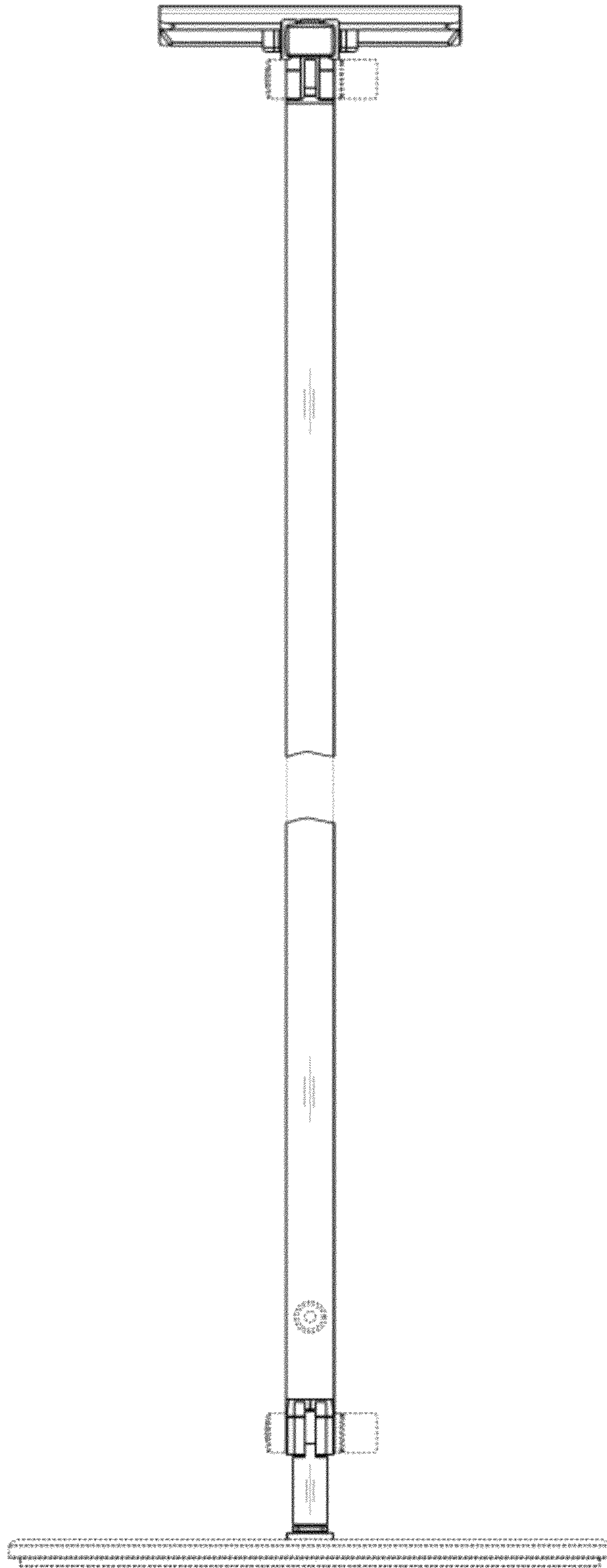


FIG. 6

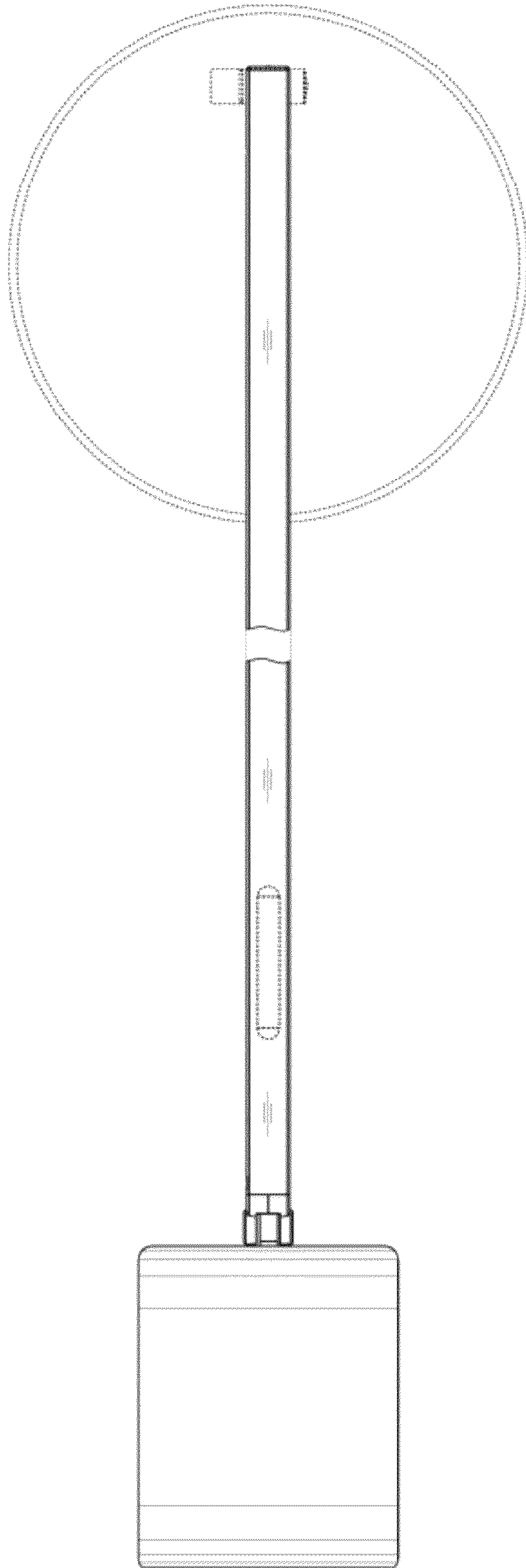


FIG. 7

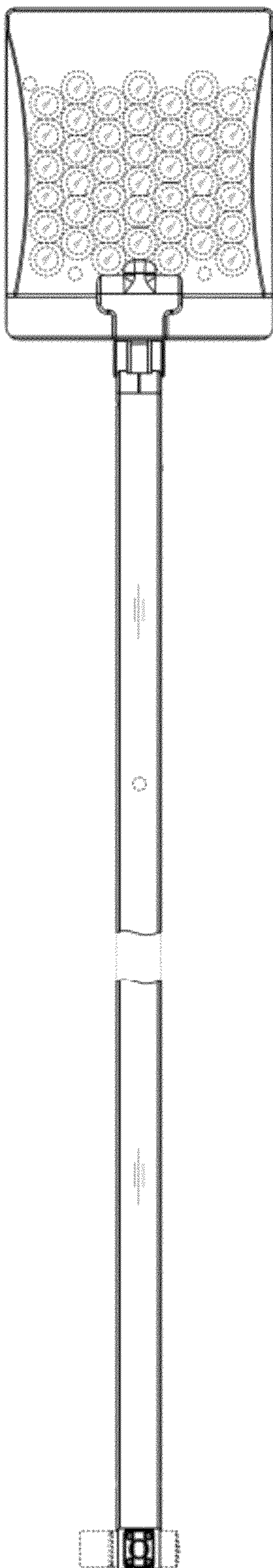


FIG. 8