

US00D663061S

(12) **United States Design Patent**
Choi et al.

(10) **Patent No.:** **US D663,061 S**
(45) **Date of Patent:** **** Jul. 3, 2012**

(54) **FLOODLIGHT**

(75) Inventors: **Jaeseung Choi**, Seoul (KR); **Taihong Kim**, Gyeonggi-do (KR)

(73) Assignee: **LG Electronics Inc.**, Seoul (KR)

(**) Term: **14 Years**

(21) Appl. No.: **29/401,158**

(22) Filed: **Sep. 8, 2011**

(30) **Foreign Application Priority Data**

Mar. 9, 2011 (KR) 30-2011-0009485

(51) **LOC (9) Cl.** **26-05**

(52) **U.S. Cl.** **D26/63**

(58) **Field of Classification Search** D26/60-67,
D26/93, 37-50, 72, 85; 362/157, 269, 270,
362/277, 278, 282, 284, 285, 287, 267, 310,
362/322, 371, 372, 187, 399, 158, 271, 273,
362/276, 274, 275, 280, 288, 413, 414, 418,
362/190, 191, 289, 427, 430, 432, 198, 199

See application file for complete search history.

(56) **References Cited**

U.S. PATENT DOCUMENTS

4,410,933	A *	10/1983	Blake et al.	362/371
D499,827	S *	12/2004	Li	D26/48
D624,224	S *	9/2010	Guercio et al.	D26/61
D629,549	S *	12/2010	Feigenbaum	D26/63
D642,716	S *	8/2011	Spaccasassi et al.	D26/63
8,083,368	B2 *	12/2011	Lau	362/157

* cited by examiner

Primary Examiner — Susan M Lee

Assistant Examiner — Linda G. Brooks

(74) *Attorney, Agent, or Firm* — Morgan, Lewis & Bockius LLP

(57) **CLAIM**

The ornamental design for a floodlight, as shown and described.

DESCRIPTION

FIG. 1 is a perspective view of a floodlight showing our new design;
FIG. 2 is a front view thereof;
FIG. 3 is a rear view thereof;
FIG. 4 is a left side view thereof;
FIG. 5 is a right side view thereof;
FIG. 6 is a top plan view thereof; and,
FIG. 7 is a bottom plan view thereof.

1 Claim, 7 Drawing Sheets

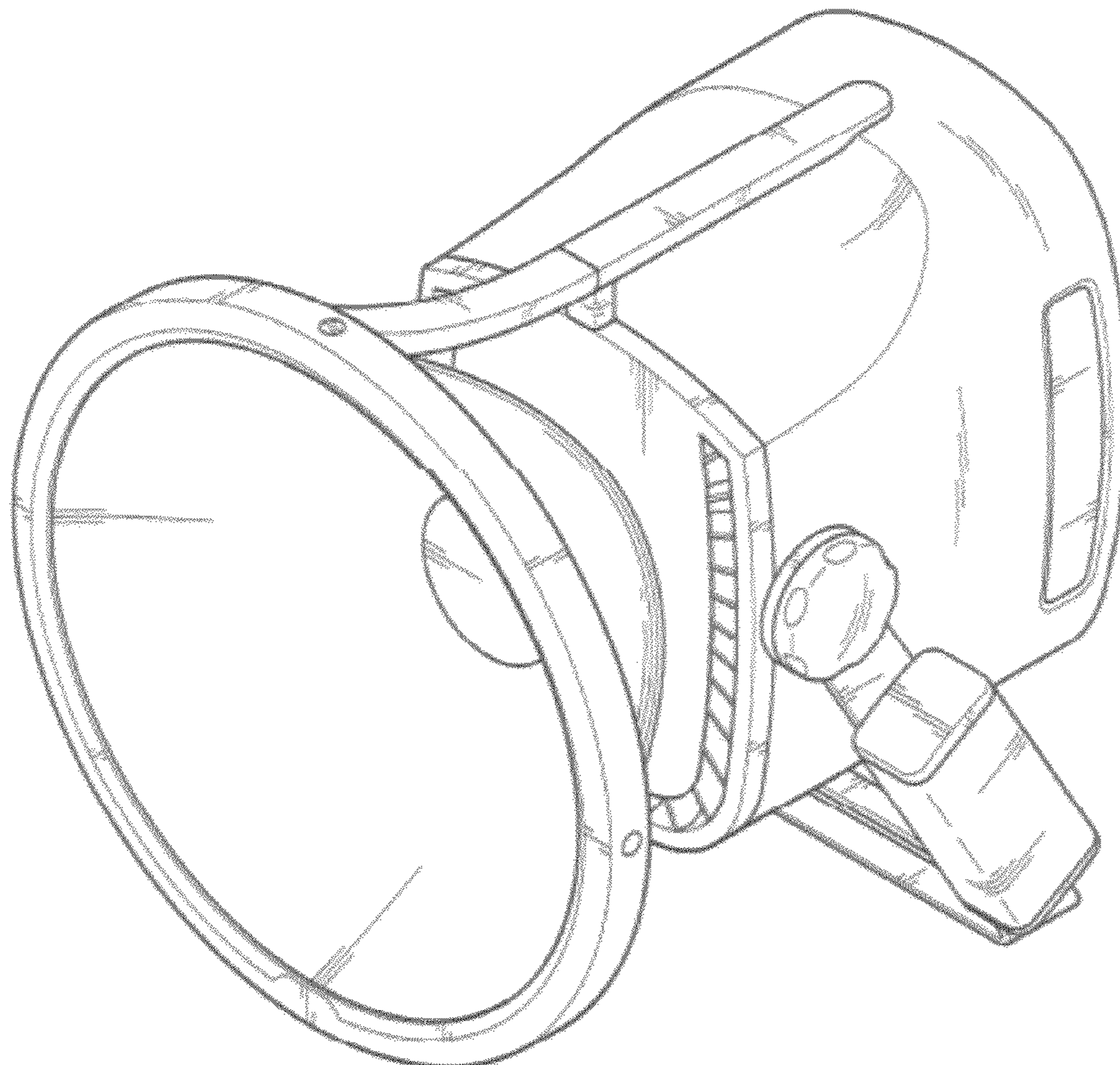


FIG. 1

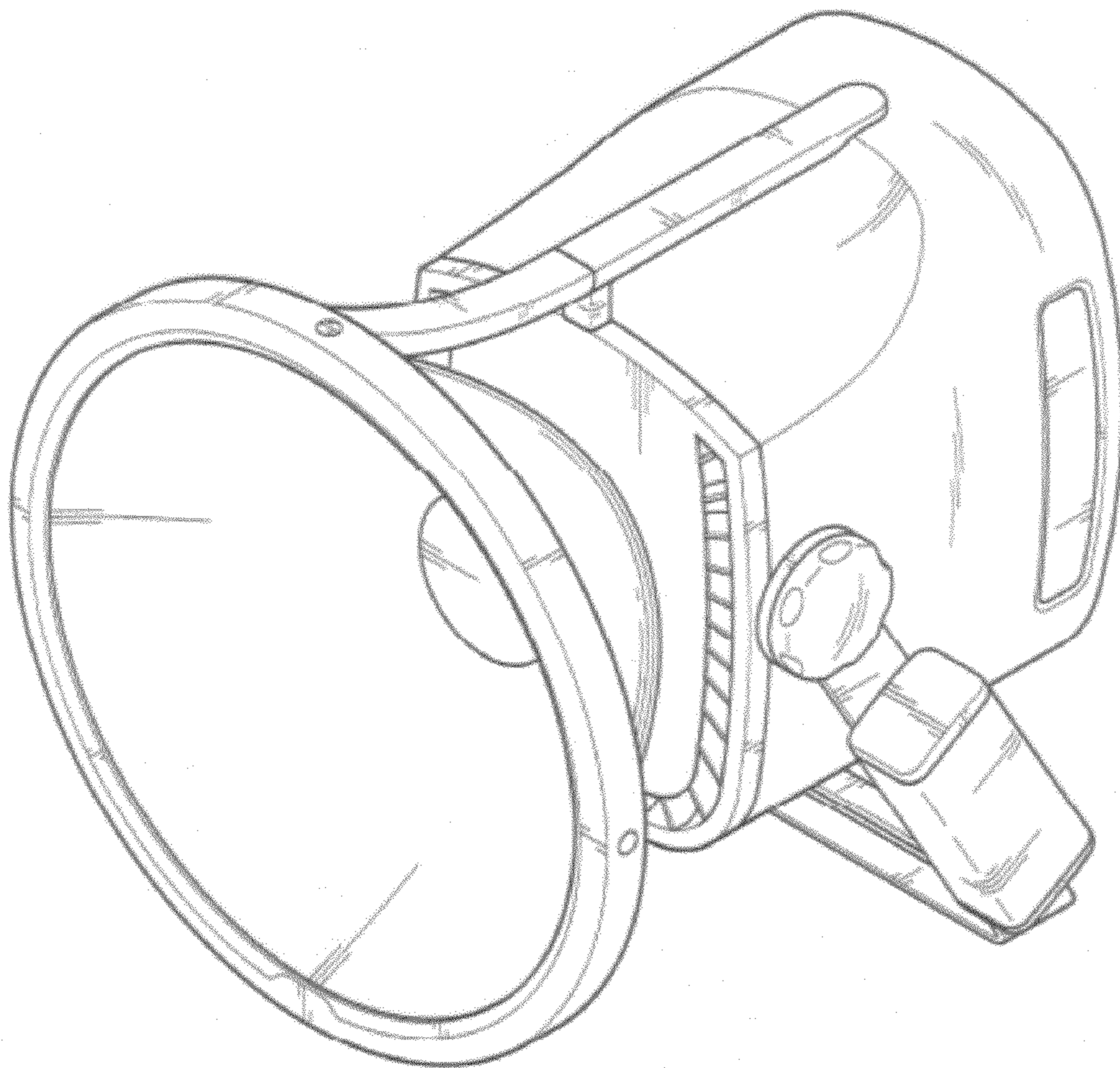


FIG. 2

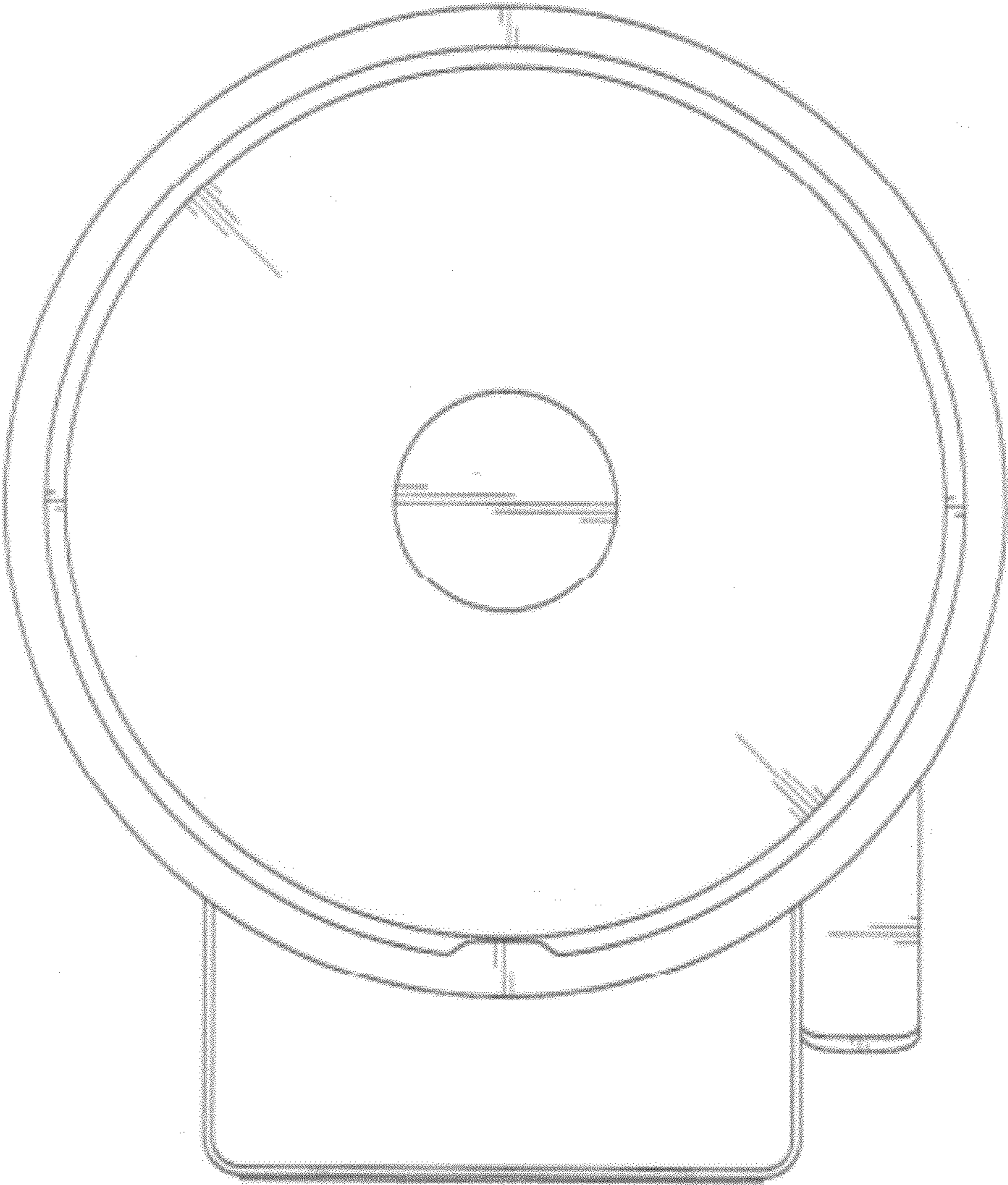


FIG. 3

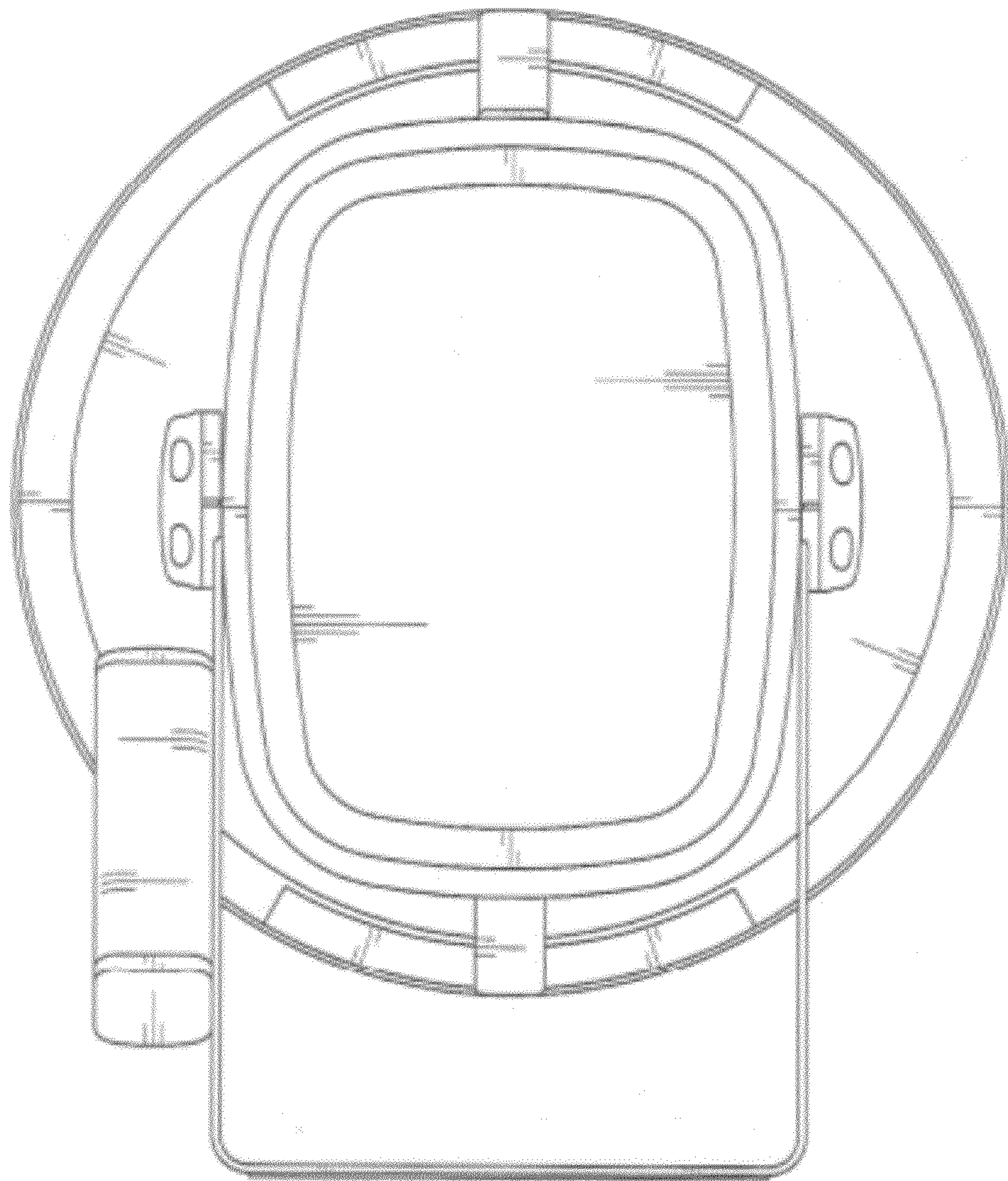


FIG. 4

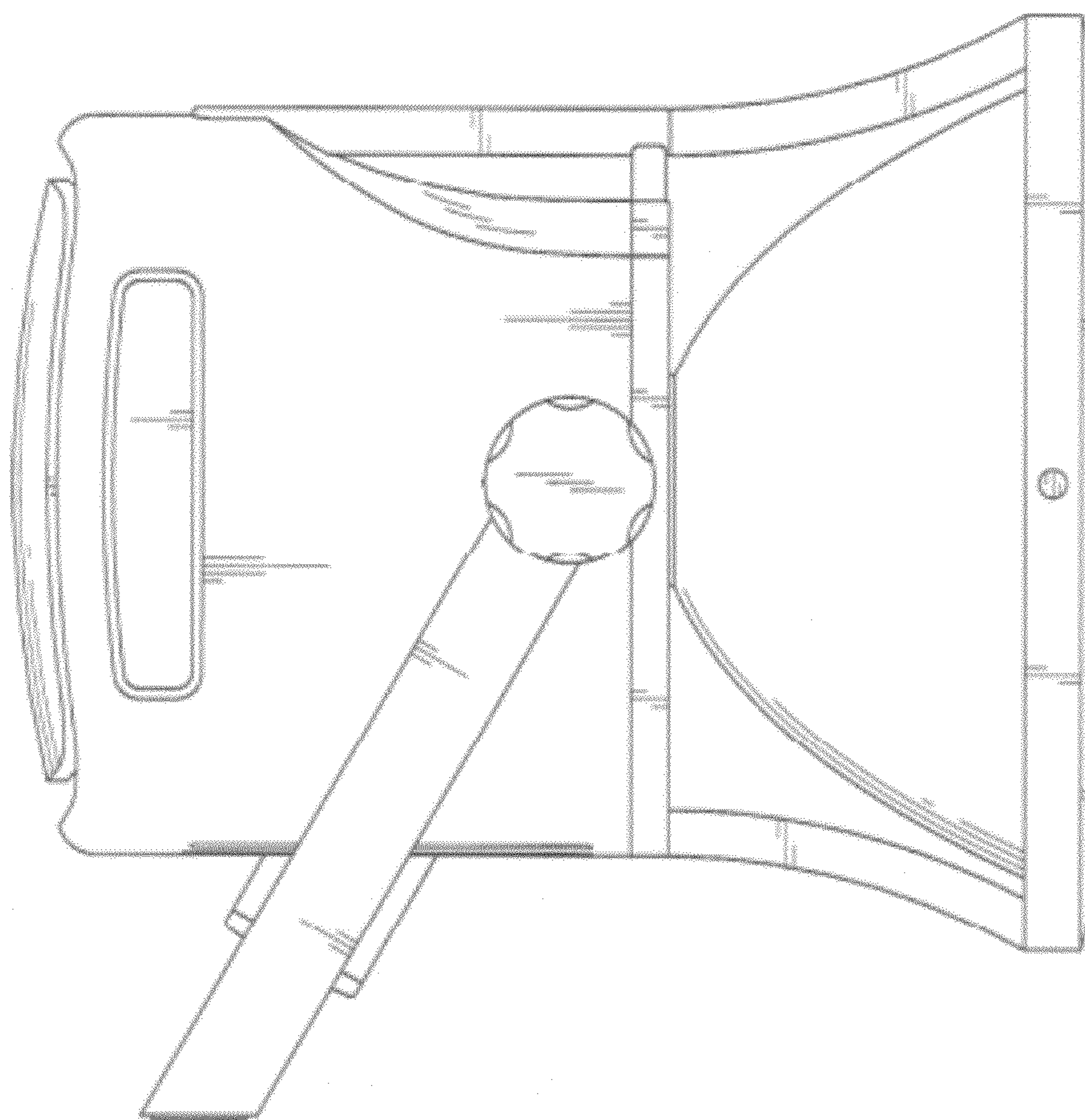


FIG. 5

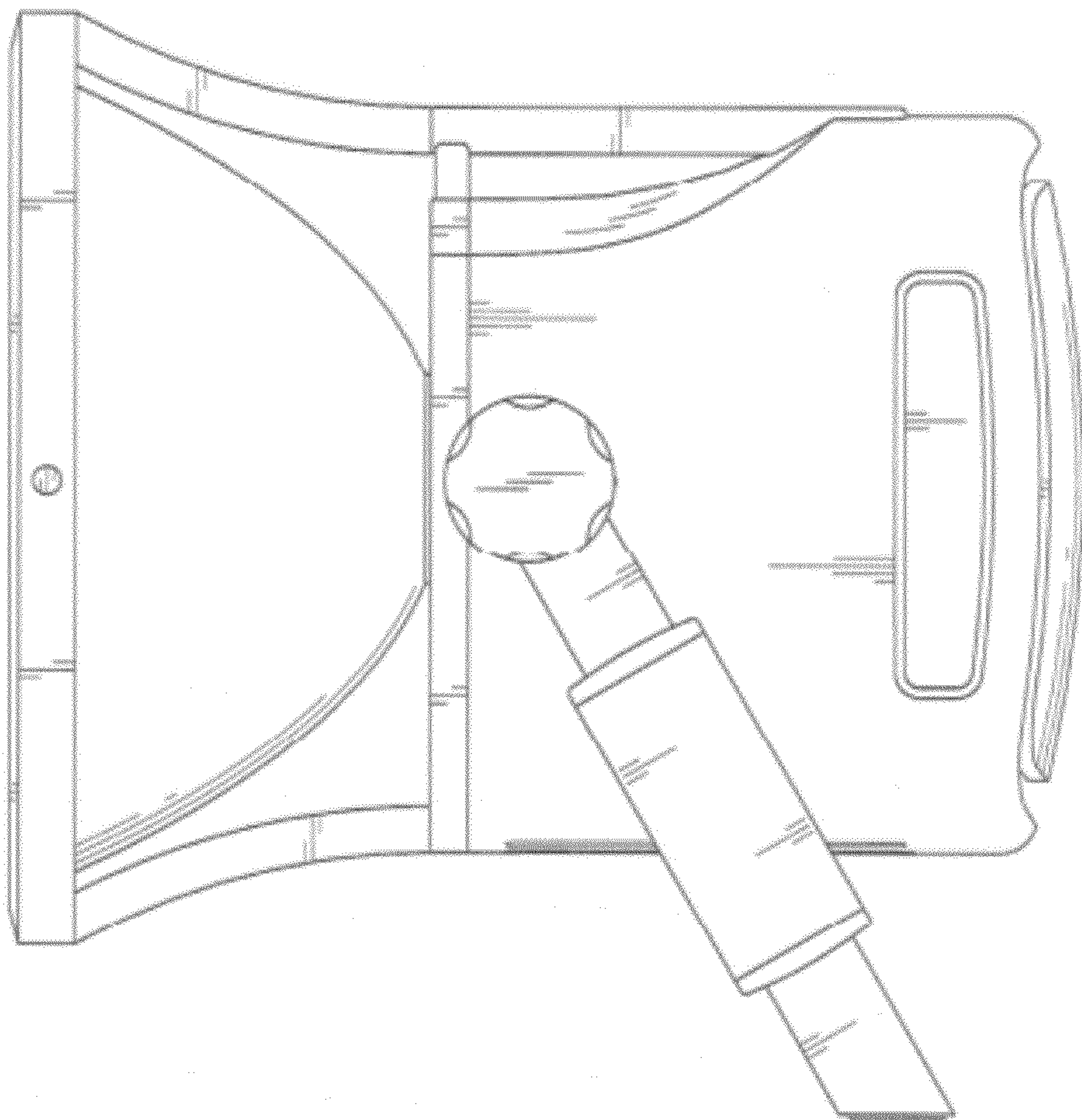


FIG. 6

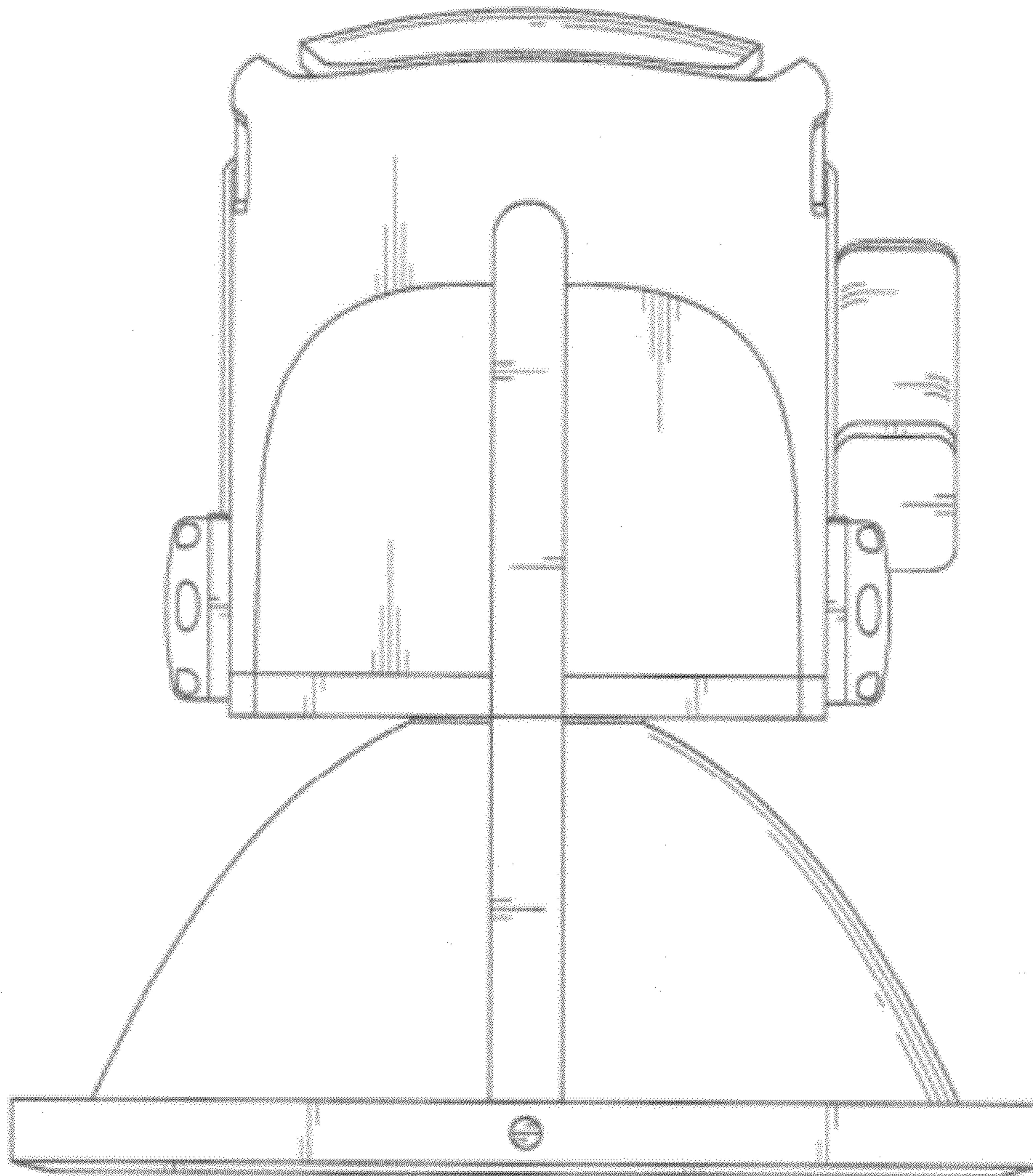


FIG. 7

