



US00D663059S

(12) **United States Design Patent**  
**Lovell**

(10) **Patent No.:** **US D663,059 S**

(45) **Date of Patent:** **\*\* Jul. 3, 2012**

(54) **WATERCRAFT STERN LIGHT**

(76) **Inventor:** **Glen D Lovell, DeQueen, AR (US)**

(\*\*) **Term:** **14 Years**

(21) **Appl. No.:** **29/362,735**

(22) **Filed:** **May 28, 2010**

(51) **LOC (9) Cl.** ..... **26-06**

(52) **U.S. Cl.** ..... **D26/28**

(58) **Field of Classification Search** ..... D26/28-36;  
362/459-468, 475-478, 485-487  
See application file for complete search history.

(56) **References Cited**

**U.S. PATENT DOCUMENTS**

D557,835 S *	12/2007	Anderson	.....	D26/28
D560,829 S *	1/2008	Mason, II	.....	D26/28
D590,967 S *	4/2009	Huang	.....	D26/28
D592,340 S *	5/2009	Liao et al.	.....	D26/60
D605,789 S *	12/2009	Ko	.....	D26/28
D619,741 S *	7/2010	Beigel et al.	.....	D26/28

D625,857 S *	10/2010	Seymour	.....	D26/28
D640,811 S *	6/2011	Peng	.....	D26/28
D652,161 S *	1/2012	Perkins	.....	D26/28

\* cited by examiner

*Primary Examiner* — Marcus Jackson

(74) *Attorney, Agent, or Firm* — Joe D. Calhoun; Rashauna A. Norment

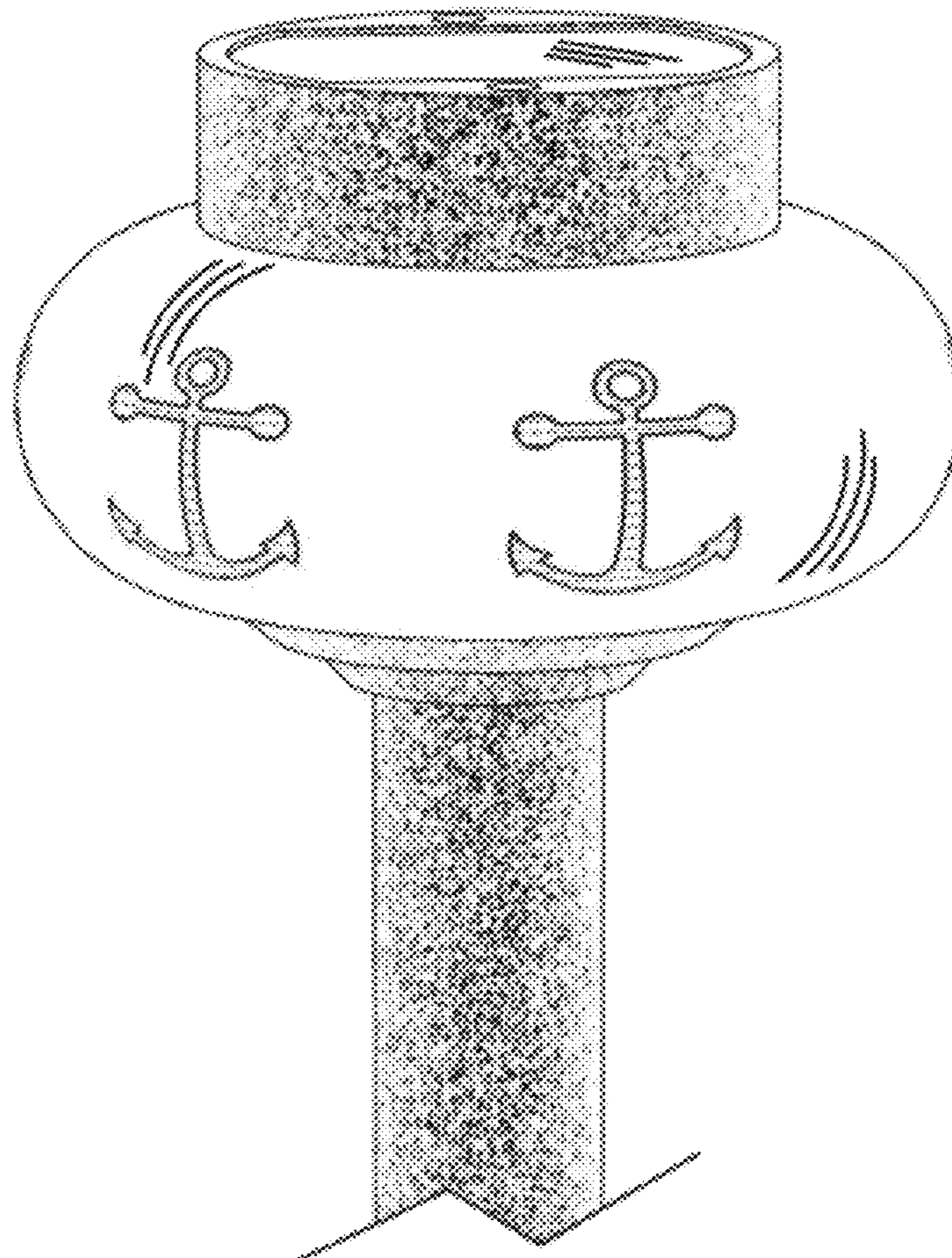
(57) **CLAIM**

The ornamental design for a watercraft stern light, as shown and described.

**DESCRIPTION**

FIG. 1 depicts an upper perspective view of the light, with the pole broken away to indicate indeterminate length; FIG. 2 depicts a top plan view of the light of FIG. 1. FIG. 3 depicts a bottom plan view of the light. FIG. 4 depicts a front elevation view of the light. FIG. 5 depicts a rear elevation view of the light. FIG. 6 depicts a starboard side elevation view of the light; and, FIG. 7 depicts a port side elevation view of the light.

**1 Claim, 3 Drawing Sheets**



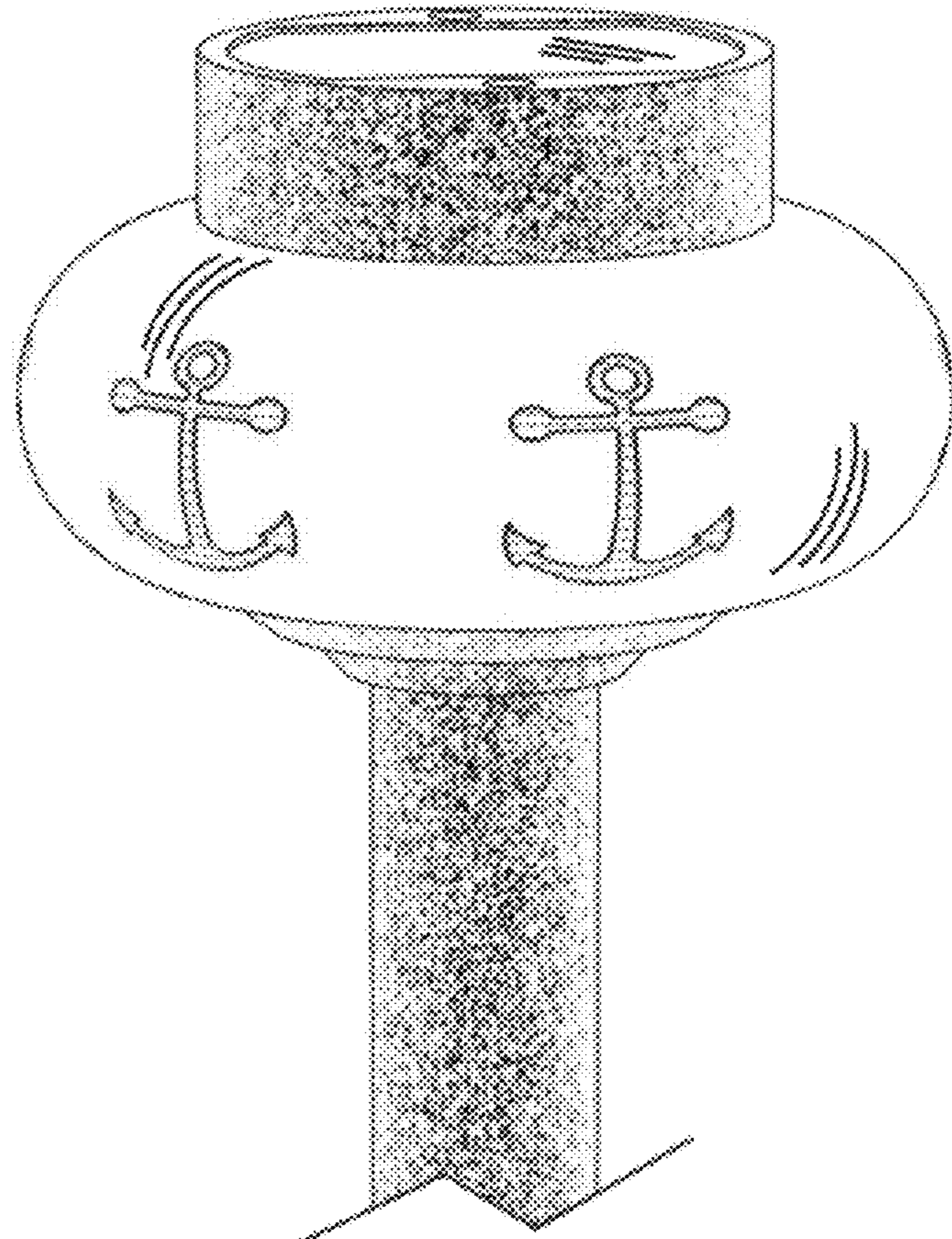


FIG. 1

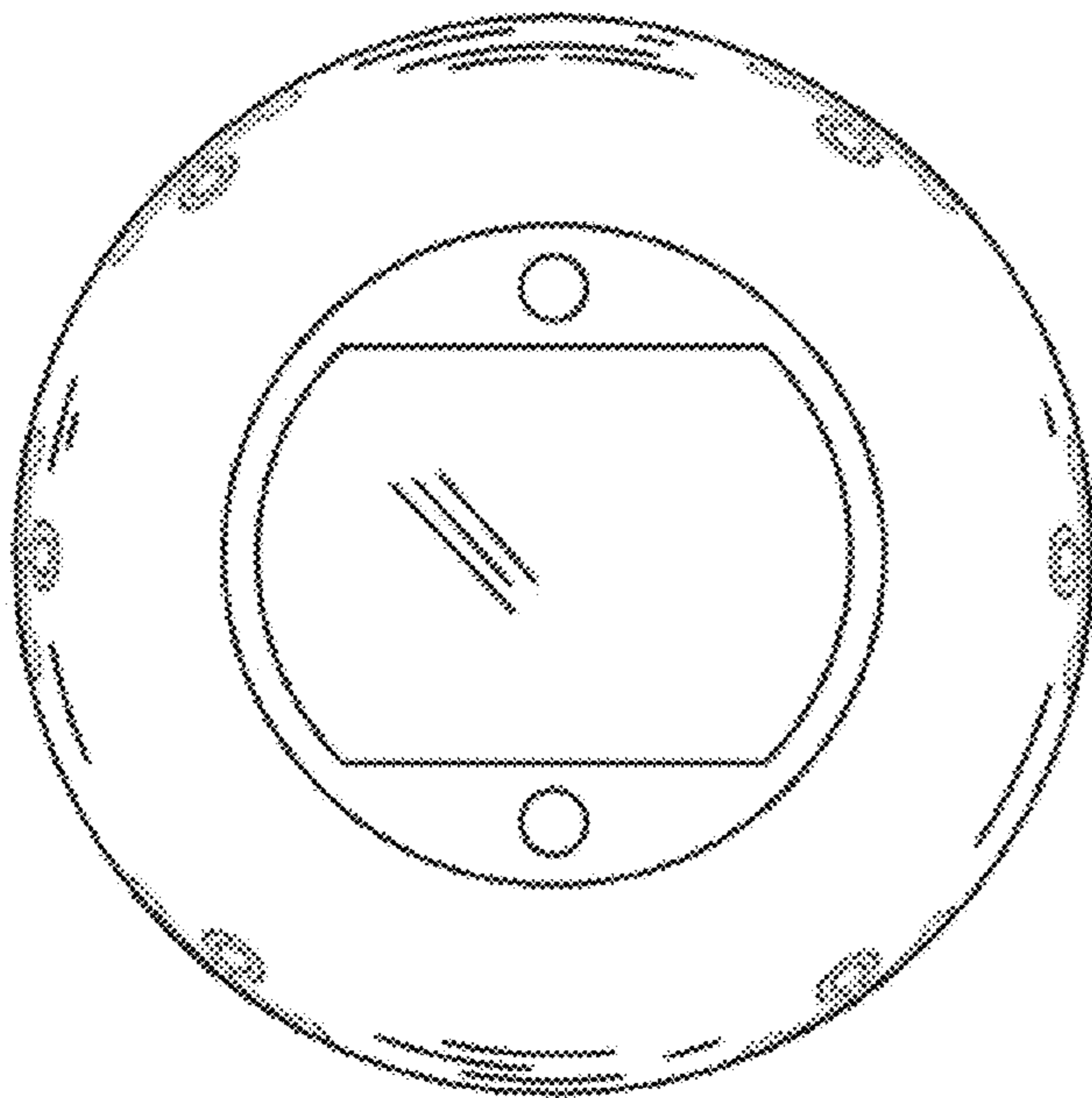


FIG. 2

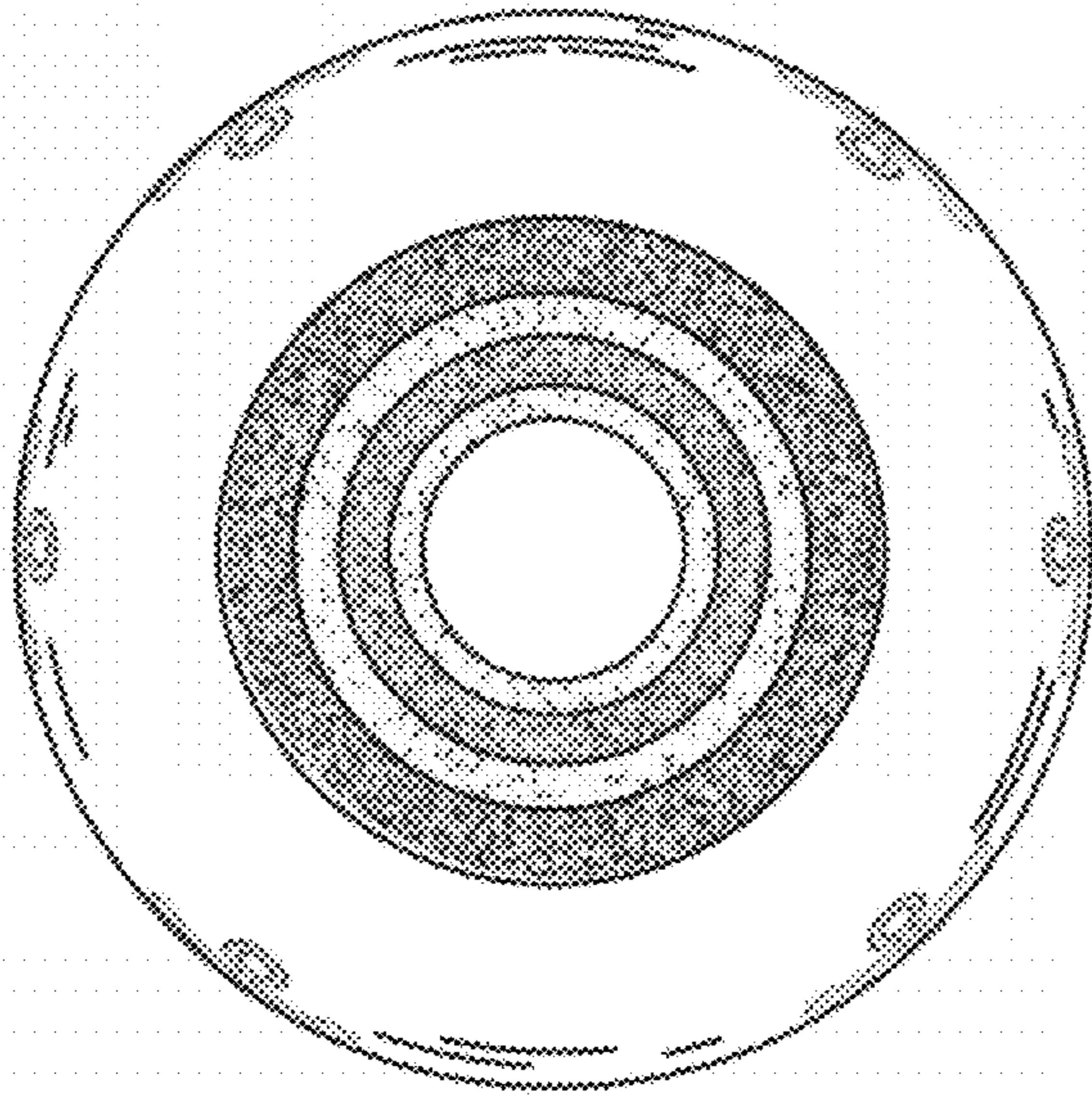


FIG. 3

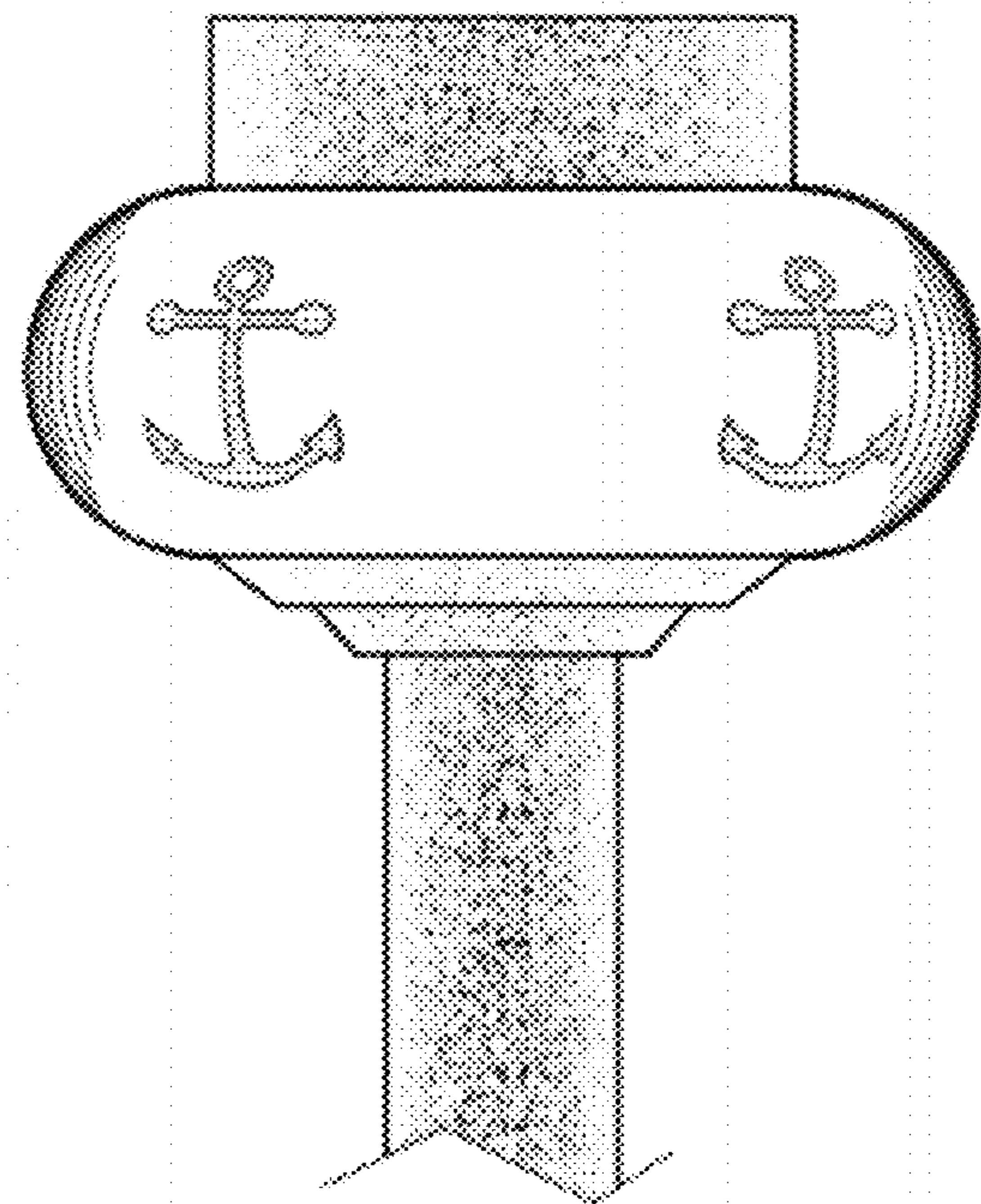


FIG. 4

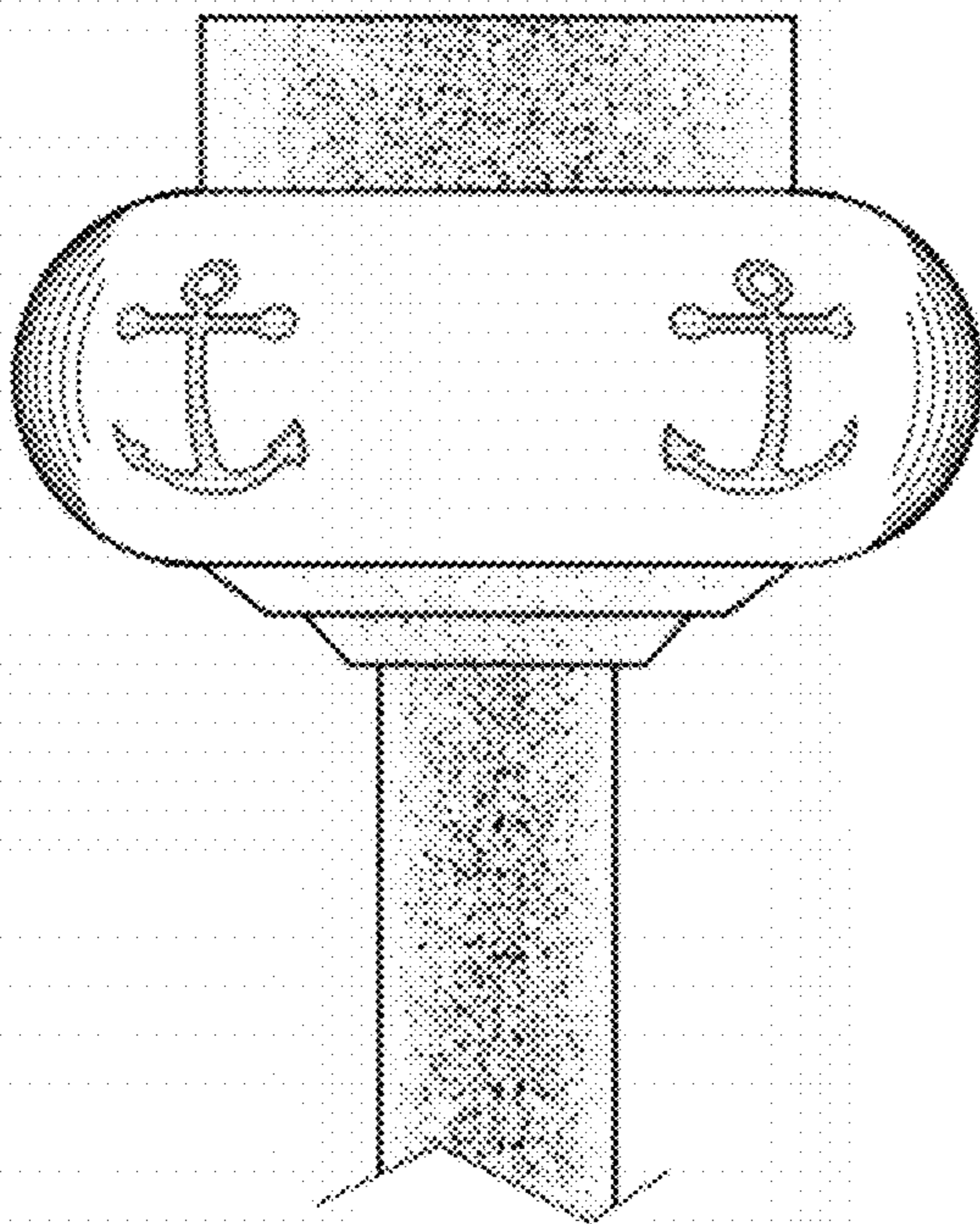


FIG. 5

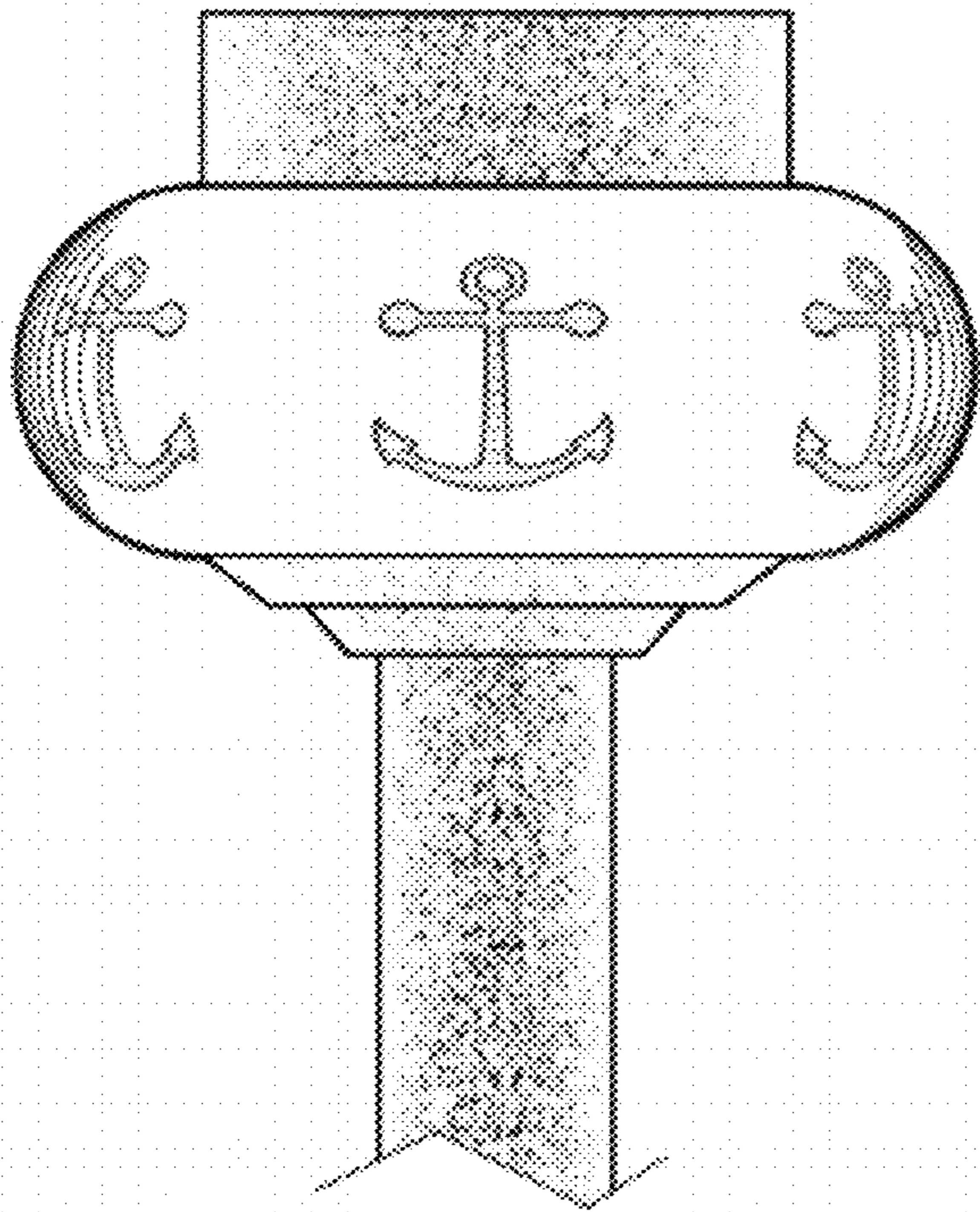


FIG. 6

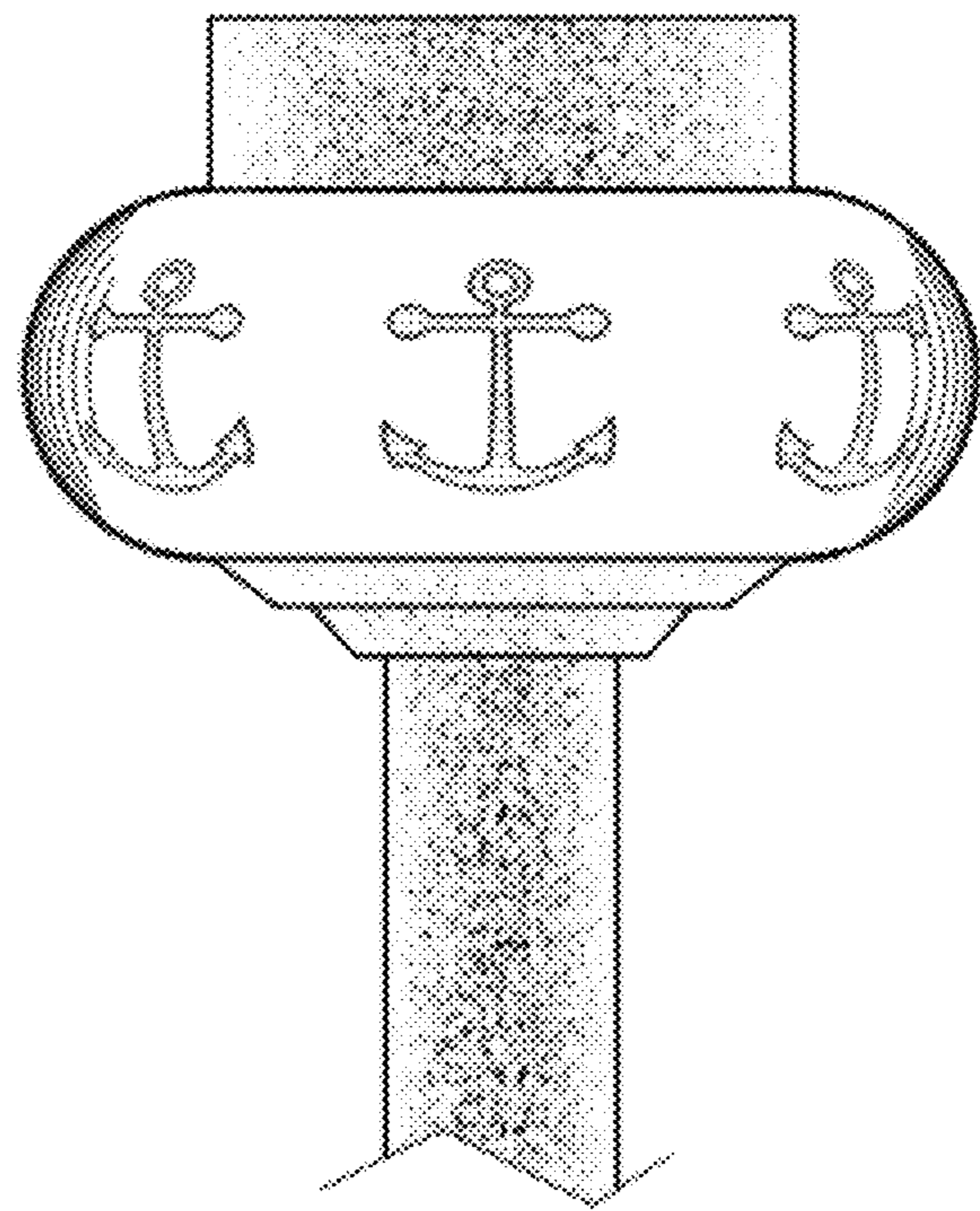


FIG. 7