



US00D663053S

(12) **United States Design Patent**  
**Xia**

(10) **Patent No.:** **US D663,053 S**

(45) **Date of Patent:** **\*\* Jul. 3, 2012**

(54) **LIGHT EMITTING DIODE BULB**

(75) Inventor: **Ben-Fan Xia**, Shenzhen (CN)

(73) Assignee: **Foxconn Technology Co., Ltd.**,  
Tu-Cheng, New Taipei (TW)

(\*\*) Term: **14 Years**

(21) Appl. No.: **29/399,649**

(22) Filed: **Aug. 17, 2011**

(51) **LOC (9) Cl.** ..... **26-04**

(52) **U.S. Cl.** ..... **D26/2**

(58) **Field of Classification Search** ..... D26/1-4;  
313/313, 315, 316, 317, 318, 493; 315/52,  
315/53, 56, 57, 58

See application file for complete search history.

(56) **References Cited**

U.S. PATENT DOCUMENTS

D566,300 S \* 4/2008 Lo ..... D26/2  
D593,223 S \* 5/2009 Komar ..... D26/2

D600,367 S \* 9/2009 Bertram et al. .... D26/2  
D624,215 S \* 9/2010 Moon et al. .... D26/2  
D648,872 S \* 11/2011 Kim et al. .... D26/2

\* cited by examiner

*Primary Examiner* — Marcus Jackson

(74) *Attorney, Agent, or Firm* — Altis Law Group, Inc.

(57) **CLAIM**

The ornamental design for a light emitting diode bulb, as shown and described.

**DESCRIPTION**

FIG. 1 is a perspective view of a light emitting diode bulb showing my new design.

FIG. 2 is a front elevational view thereof.

FIG. 3 is a rear elevational view thereof.

FIG. 4 is a left-side, elevational view thereof.

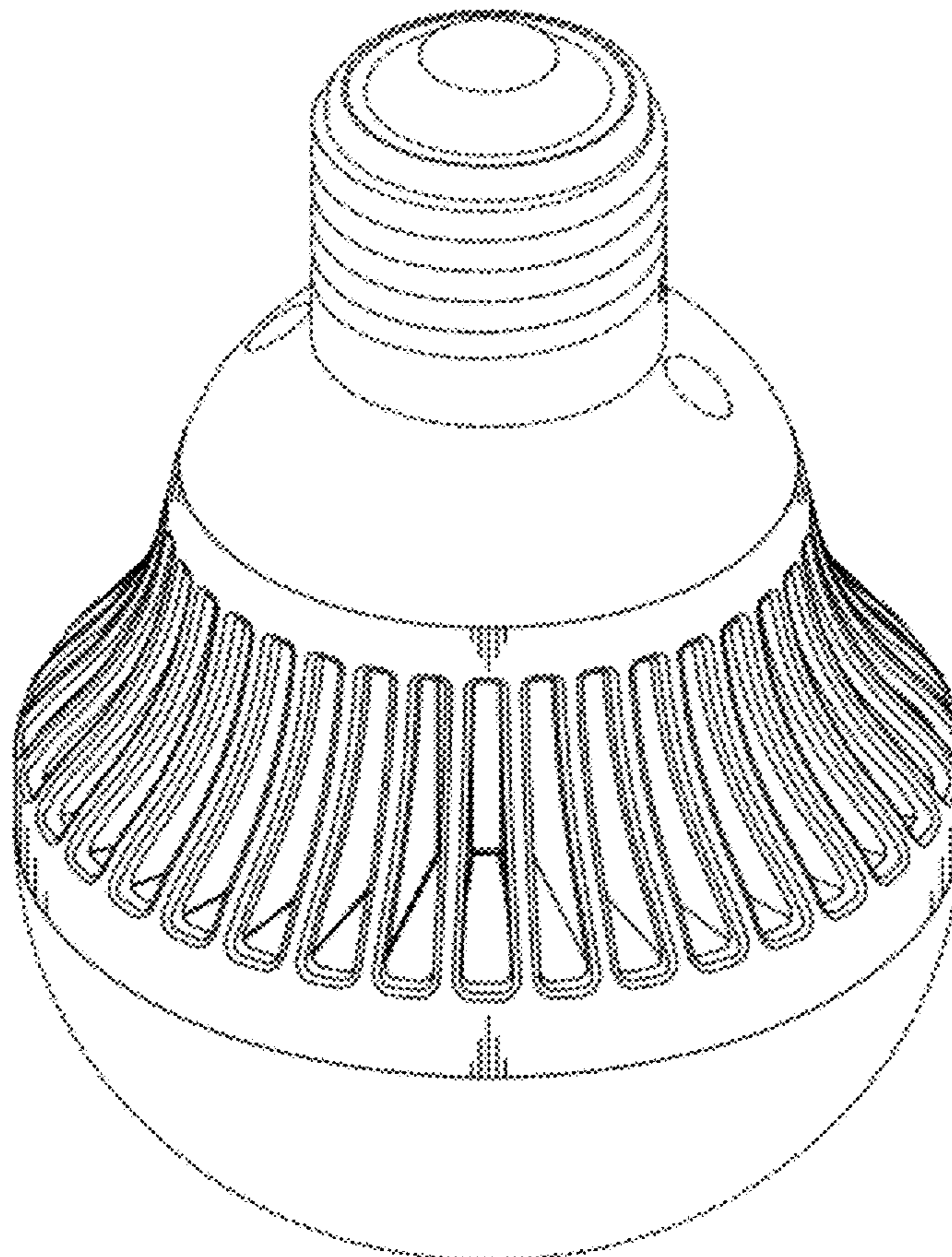
FIG. 5 is a right-side, elevational view thereof.

FIG. 6 is a top plan view thereof; and,

FIG. 7 is a bottom plan view thereof.

The broken lines showing of the environment are for illustrative purpose only and form no part of the claimed design.

**1 Claim, 7 Drawing Sheets**



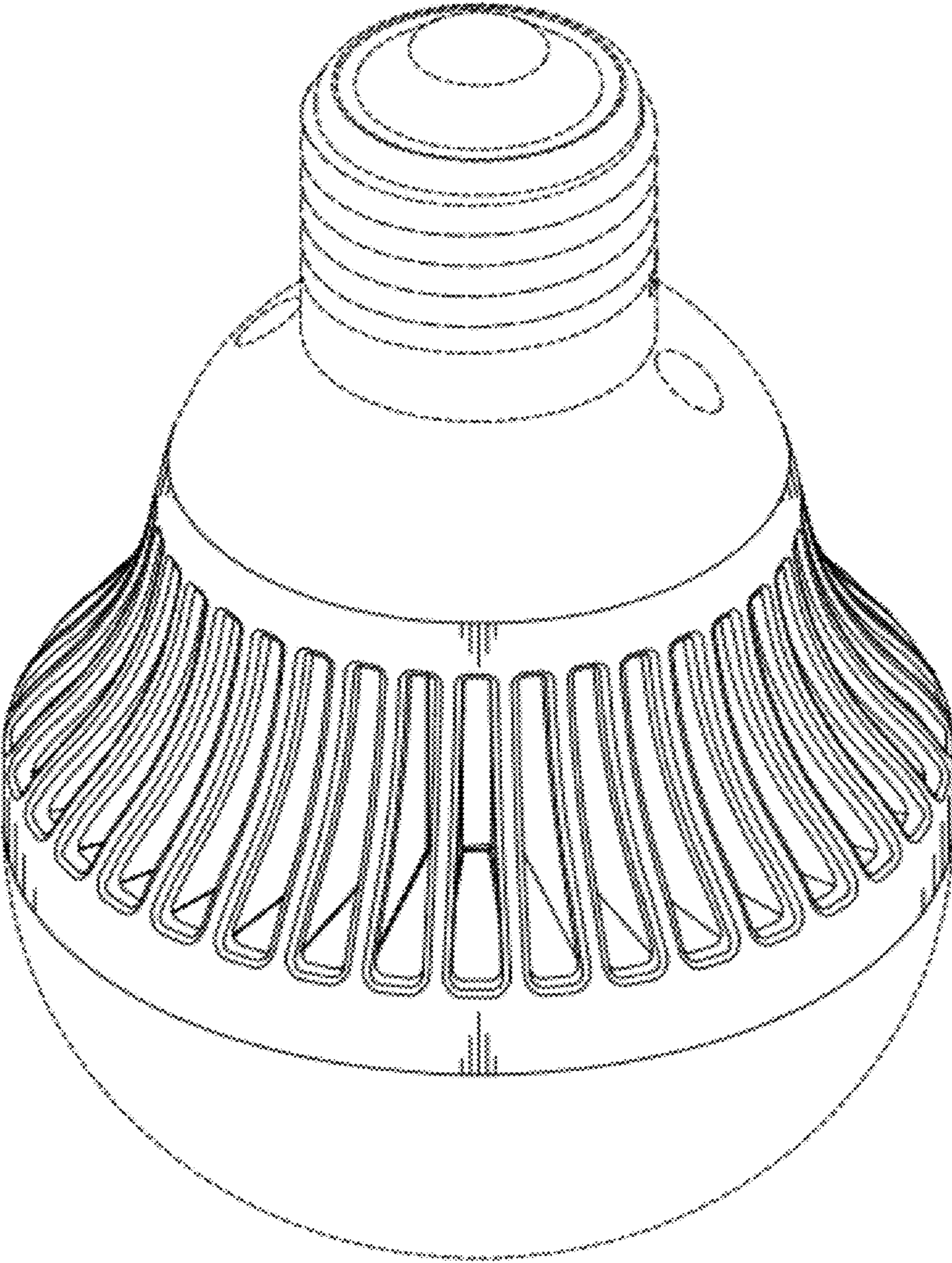


FIG. 1

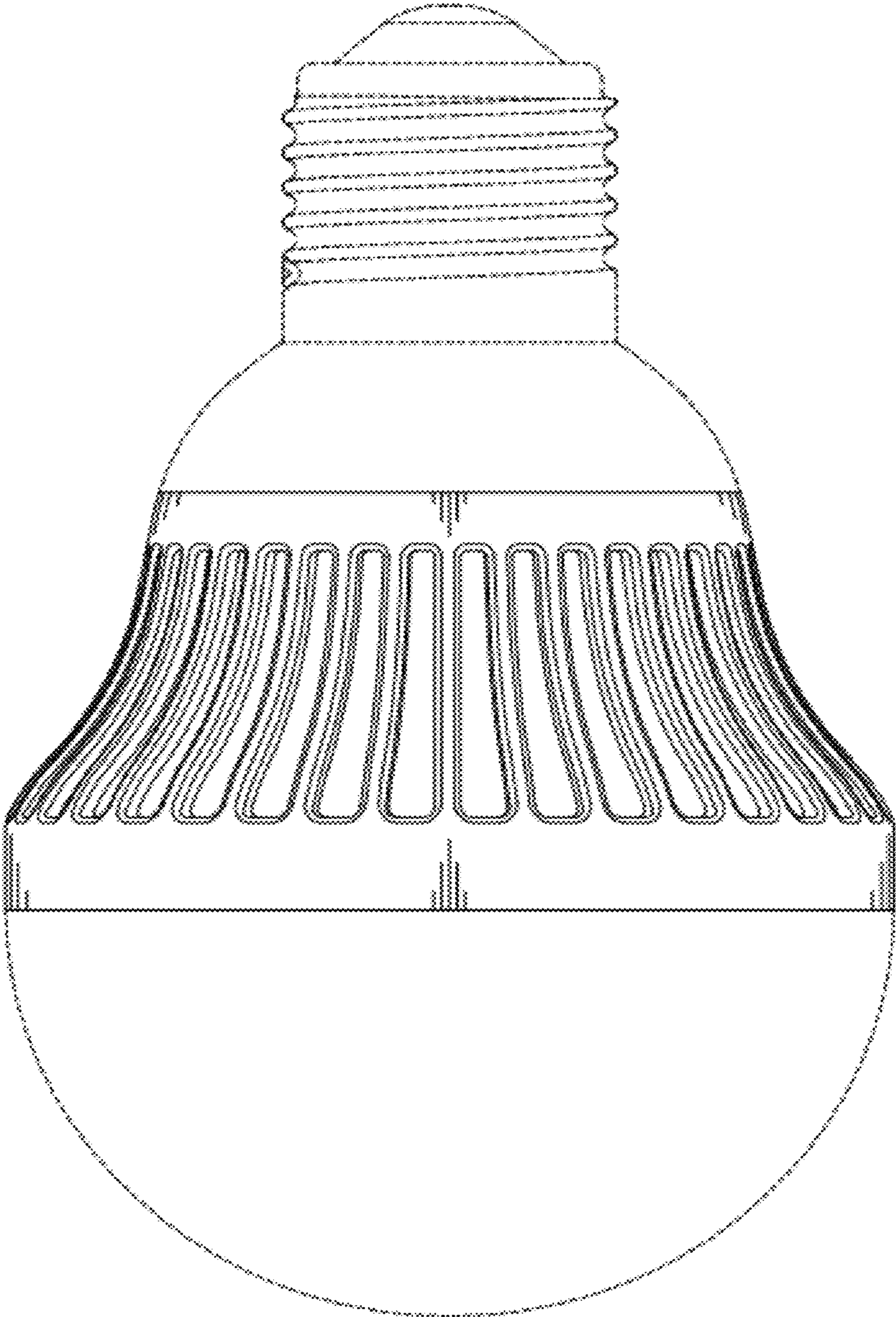


FIG. 2

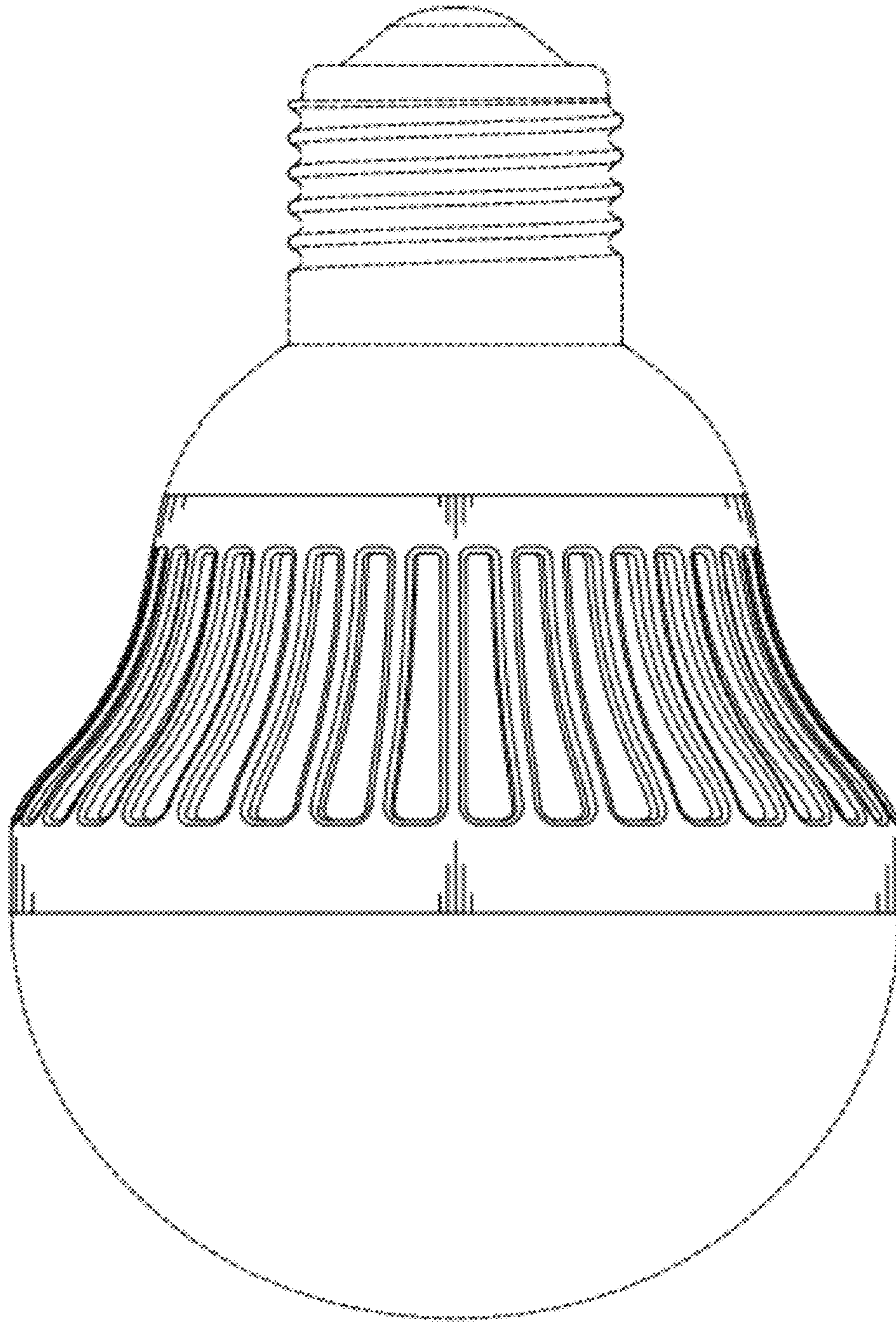


FIG. 3

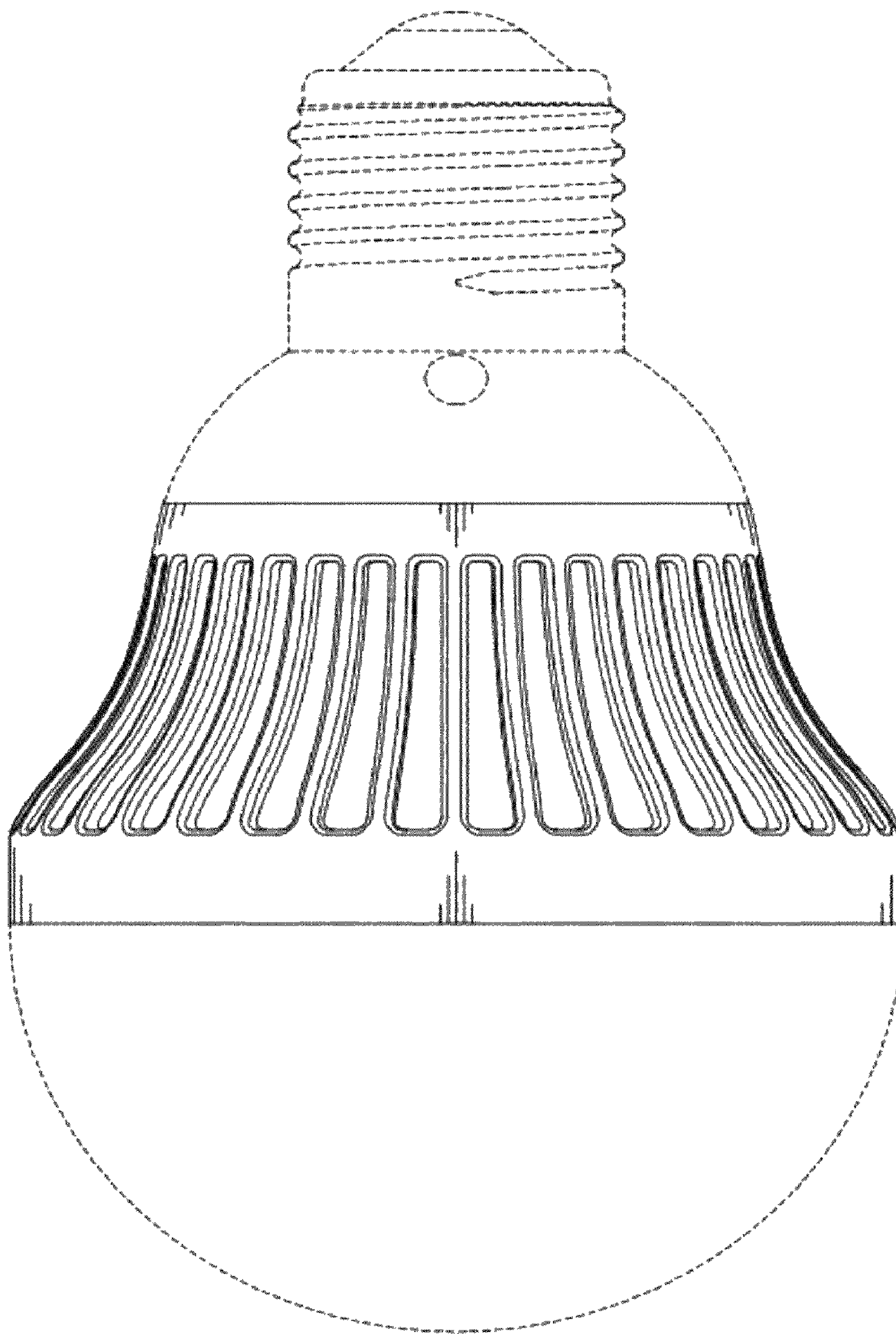


FIG. 4

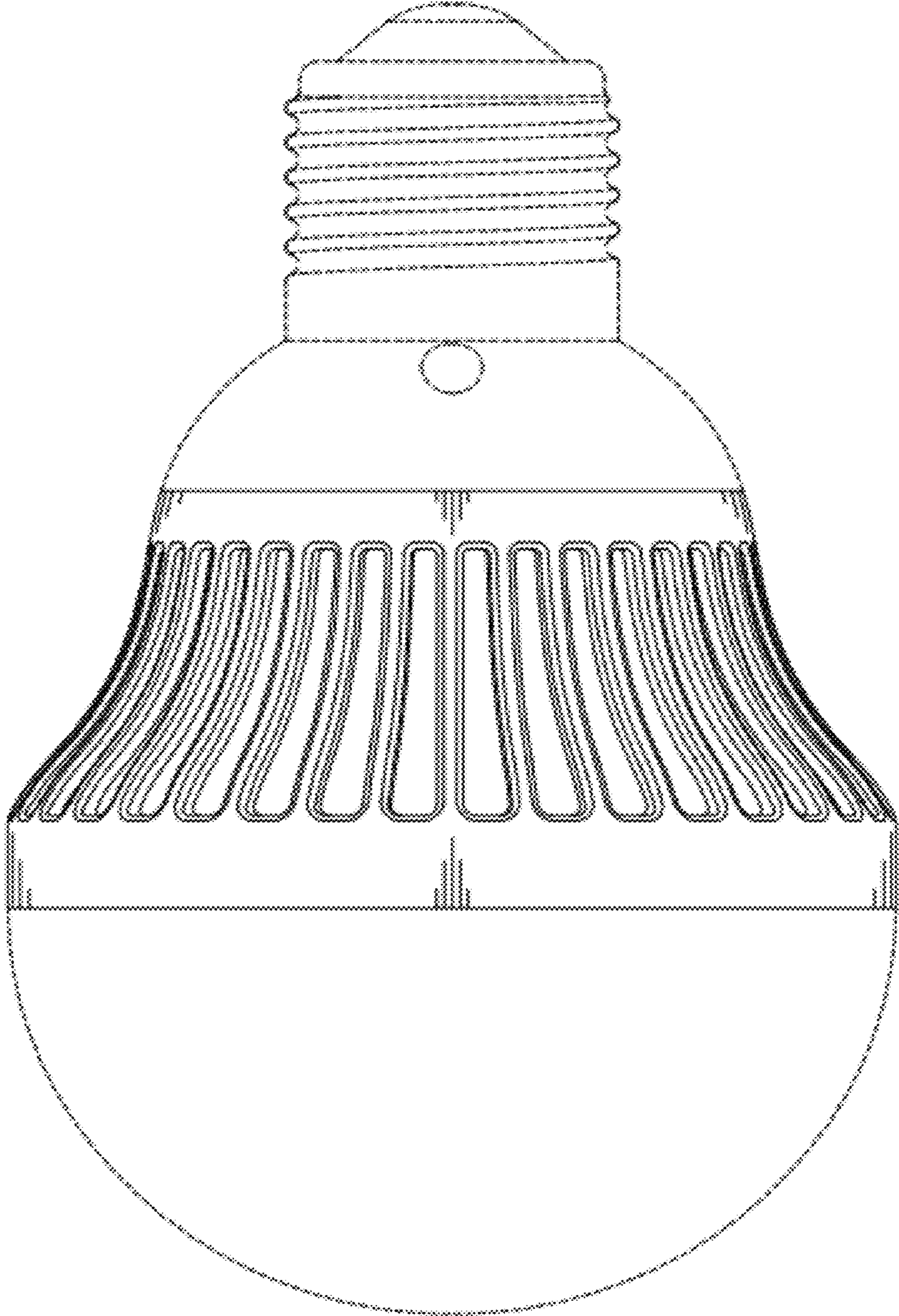


FIG. 5

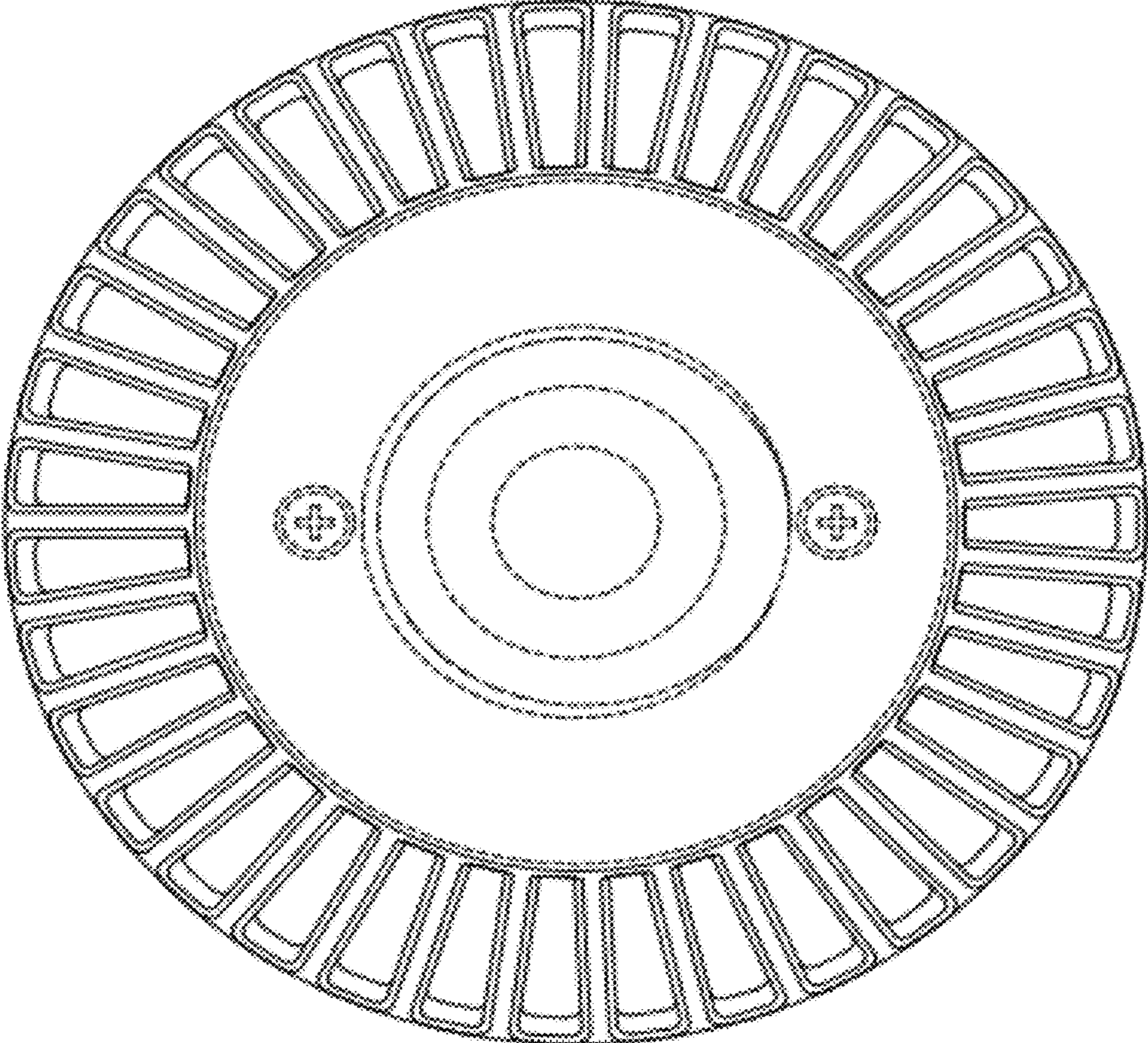


FIG. 6

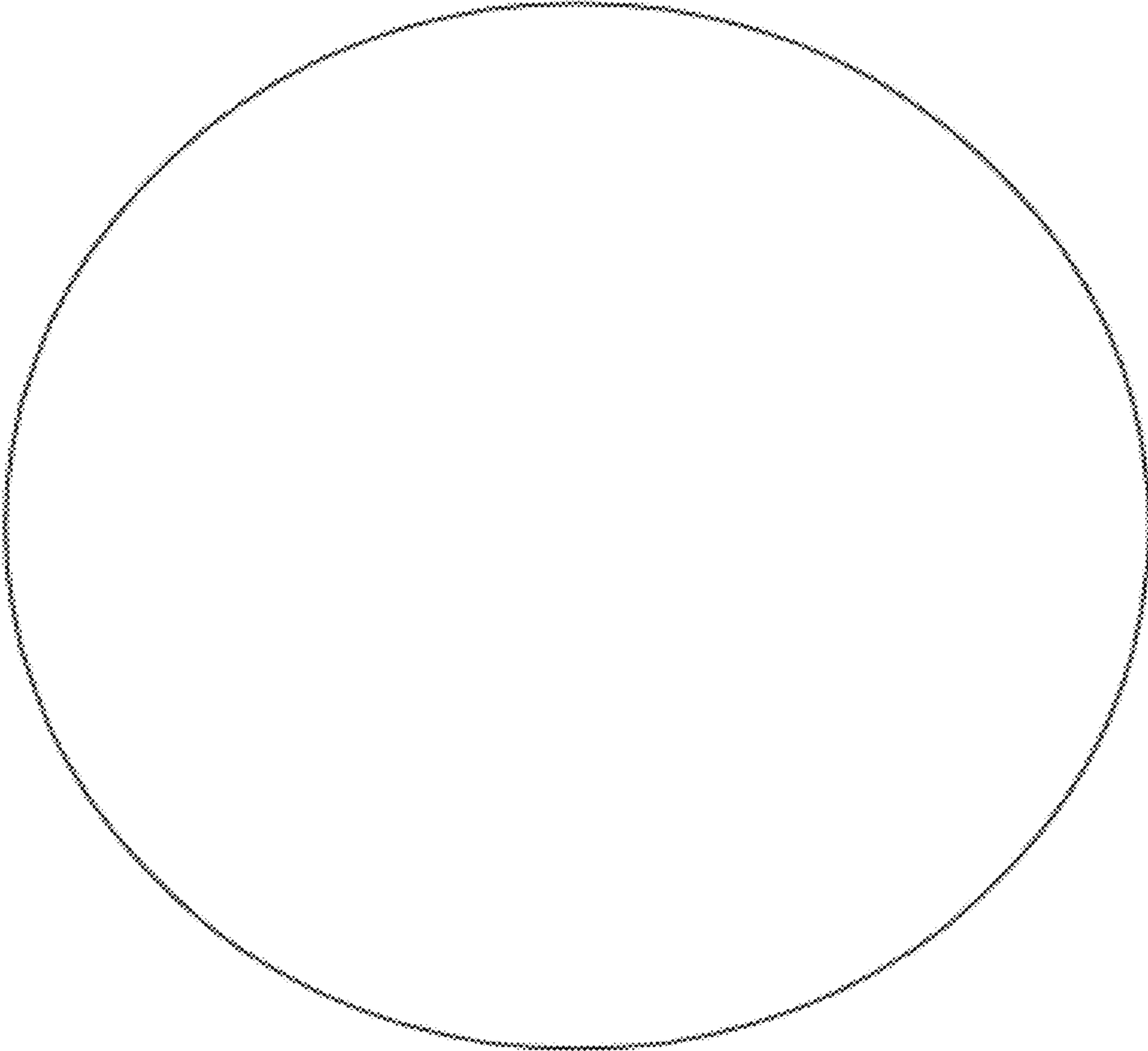


FIG. 7