



US00D663049S

(12) **United States Design Patent**  
**Wada et al.**

(10) **Patent No.:** **US D663,049 S**  
(45) **Date of Patent:** **\*\* Jul. 3, 2012**

(54) **LIGHT EMITTING DIODE LAMP**

FOREIGN PATENT DOCUMENTS

(75) Inventors: **Asuka Wada**, Kanagawa (JP); **Kenji Nezu**, Kanagawa (JP)

JP	D0707662	6/1987
JP	D1349565	1/2009
JP	D1363613	6/2009
JP	D1363963	6/2009

(73) Assignees: **Toshiba Lighting & Technology Corporation**, Kanagawa (JP);  
**Kabushiki Kaisha Toshiba**, Tokyo (JP)

\* cited by examiner

*Primary Examiner* — Marcus Jackson  
(74) *Attorney, Agent, or Firm* — J.C. Patents

(\*\*) Term: **14 Years**

(57) **CLAIM**

(21) Appl. No.: **29/386,109**

The ornamental design for a light emitting diode lamp, as shown and described.

(22) Filed: **Feb. 24, 2011**

**DESCRIPTION**

(30) **Foreign Application Priority Data**

Sep. 28, 2010 (JP) ..... 2010-023143

(51) **LOC (9) Cl.** ..... **26-04**

(52) **U.S. Cl.** ..... **D26/2**

(58) **Field of Classification Search** ..... D26/1-4;  
313/313, 315, 316, 317, 318, 493; 315/52,  
315/53, 56, 57, 58

See application file for complete search history.

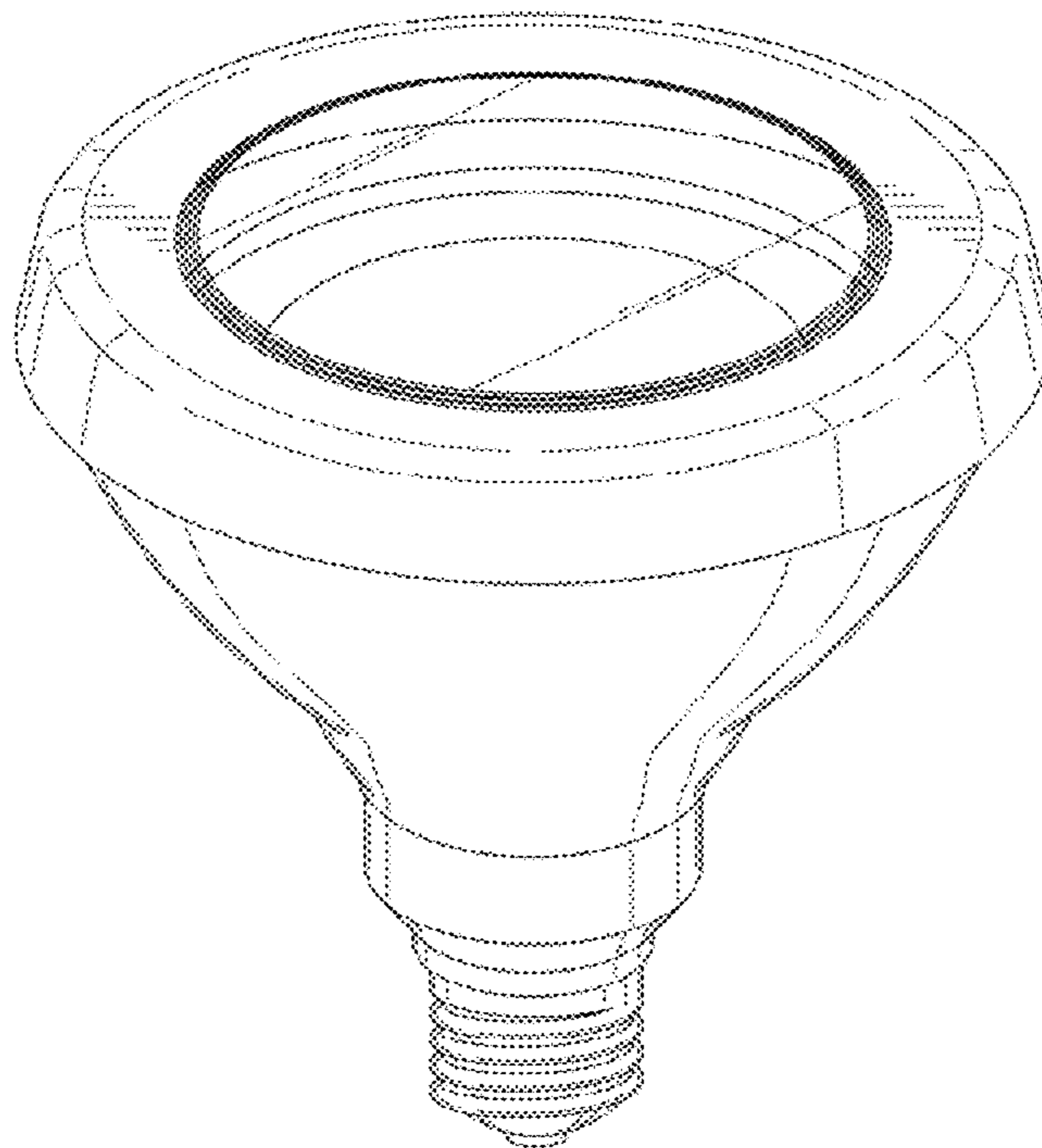
FIG. 1 is a perspective view of a light emitting diode lamp showing our new design;  
 FIG. 2 is a front view thereof;  
 FIG. 3 is a rear view thereof;  
 FIG. 4 is a left side view thereof;  
 FIG. 5 is a right side view thereof;  
 FIG. 6 is a top view thereof;  
 FIG. 7 is a bottom view thereof;  
 FIG. 8 is a cross-sectional view taken along line 8-8 view in FIG. 2;  
 FIG. 9 is a cross-sectional view taken along line 9-9 view in FIG. 2;  
 FIG. 10 is a reference view showing the lusterless surface thereof; and,  
 FIG. 11 is an enlarged view of an indicated portion of FIG. 10. The portion shown in double cross-hatched lines in FIGS. 8 and 9 are transparent. The surface shown in heavy lines in FIGS. 10 and 11 is lusterless.

(56) **References Cited**

U.S. PATENT DOCUMENTS

D541,957 S *	5/2007	Wang	.....	D26/2
D593,223 S *	5/2009	Komar	.....	D26/2
D610,274 S *	2/2010	Cho	.....	D26/2
D610,722 S *	2/2010	Bi	.....	D26/2
D631,571 S *	1/2011	Bobel	.....	D26/2
D656,252 S *	3/2012	Engl et al.	.....	D26/2
D658,790 S *	5/2012	Lee	.....	D26/2

**1 Claim, 11 Drawing Sheets**



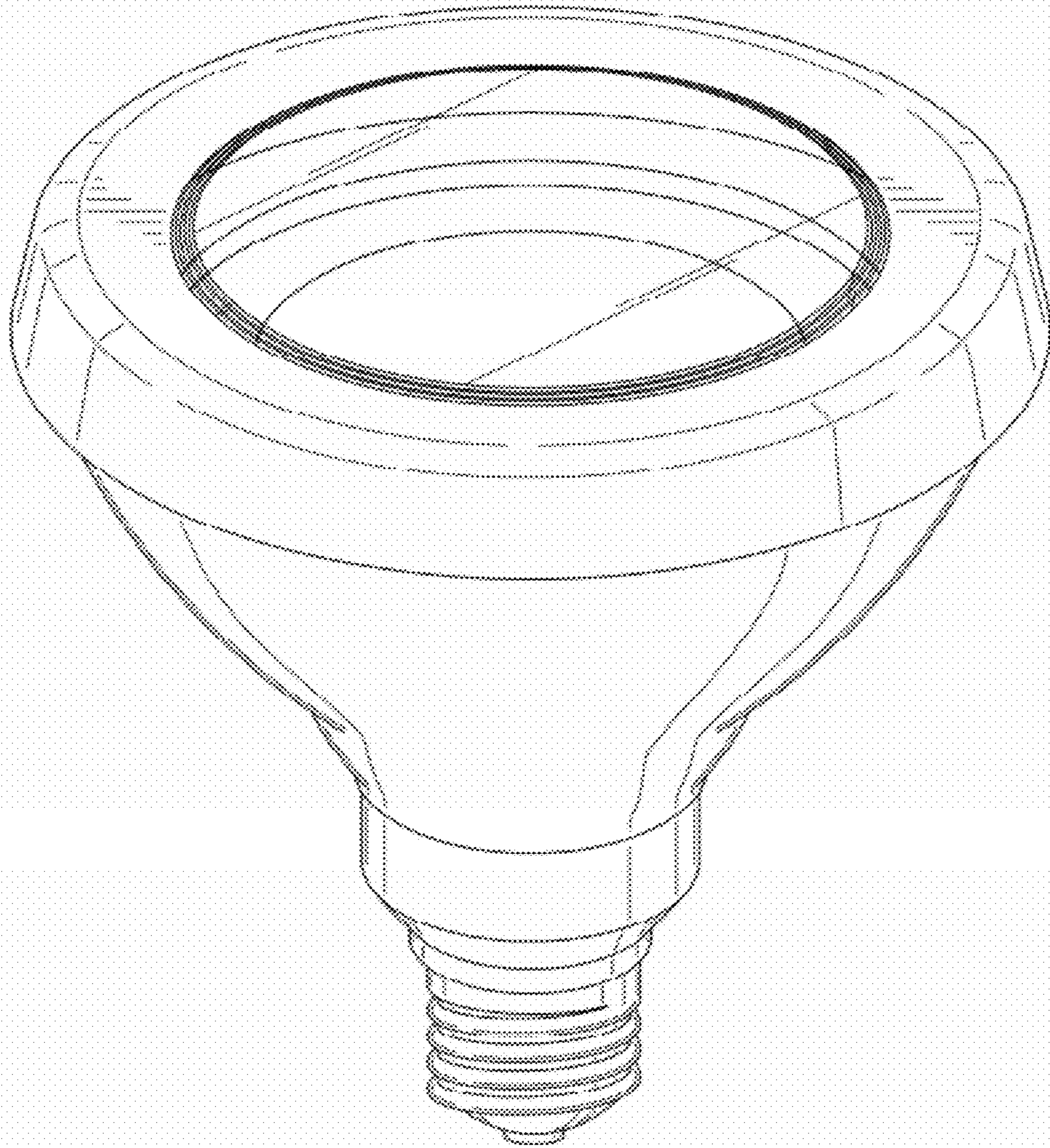
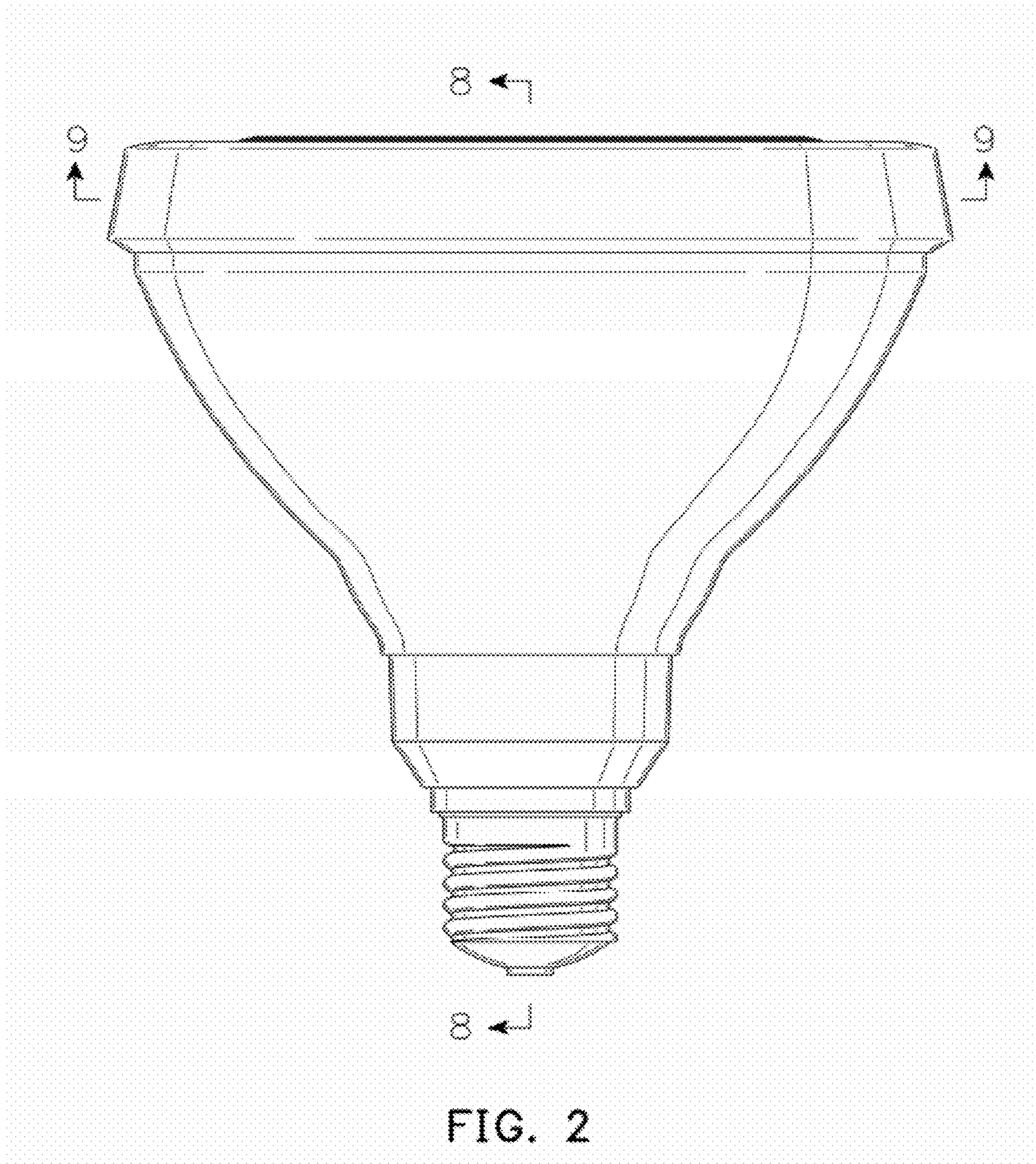


FIG. 1



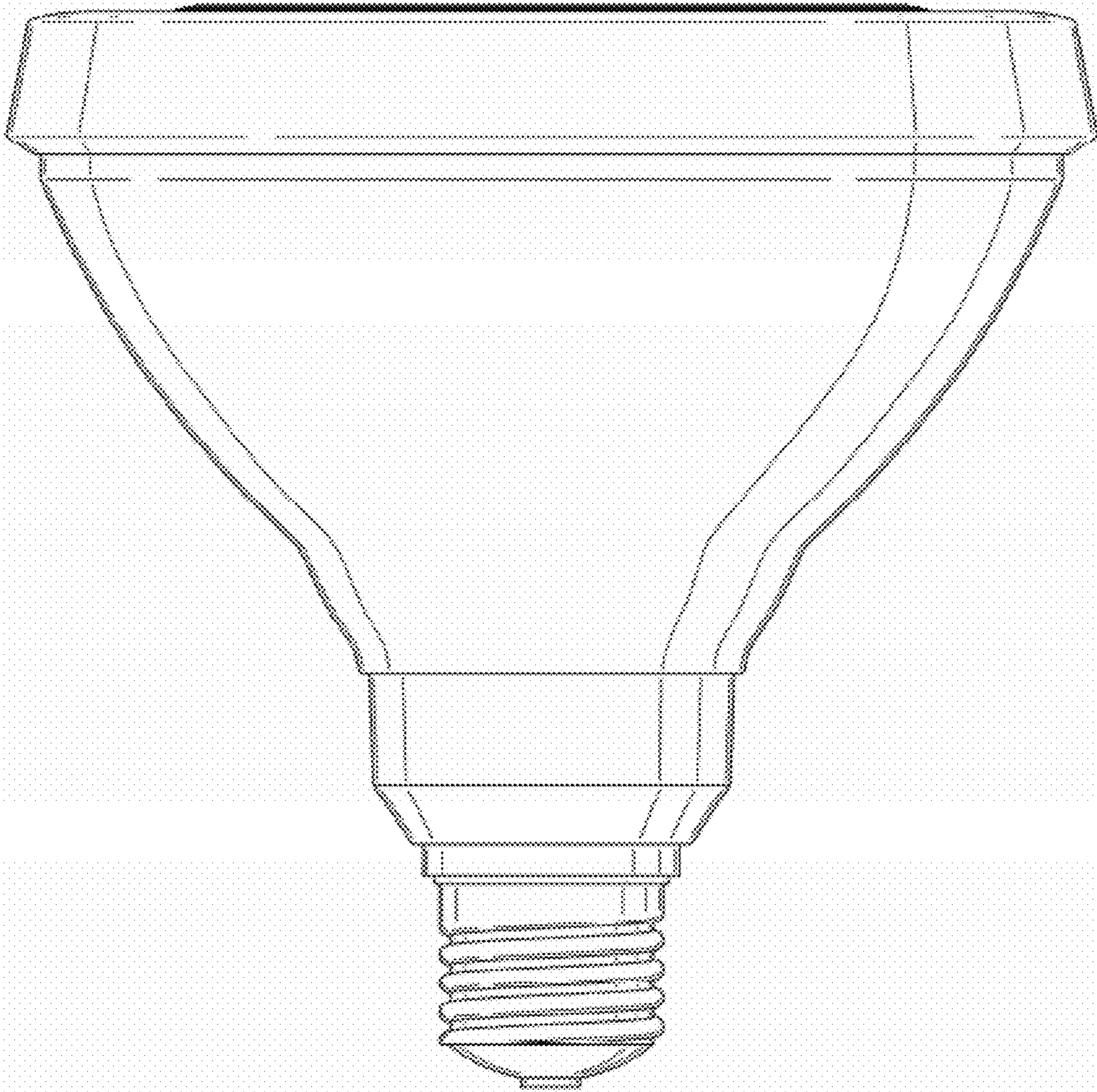


FIG. 3

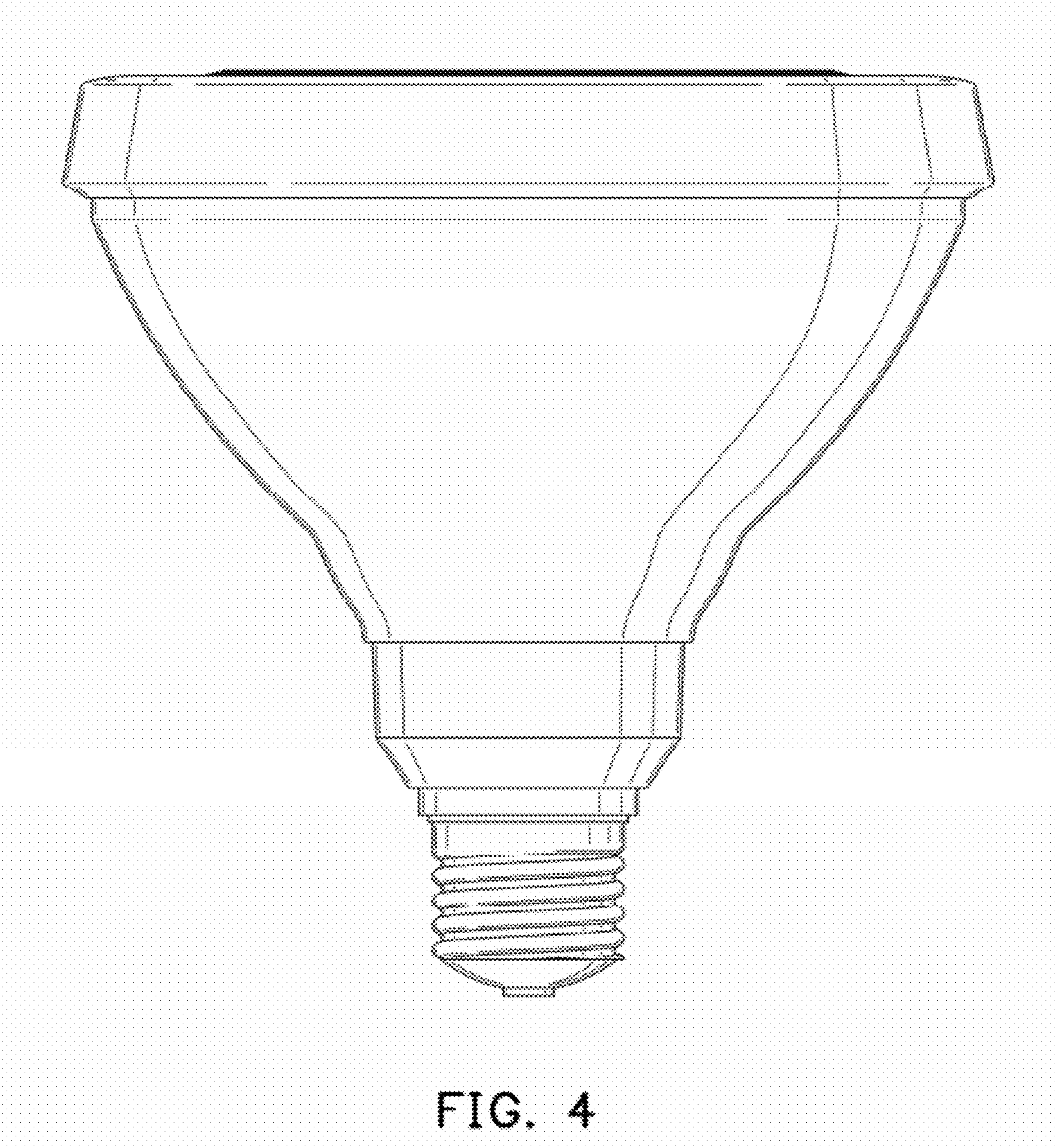


FIG. 4

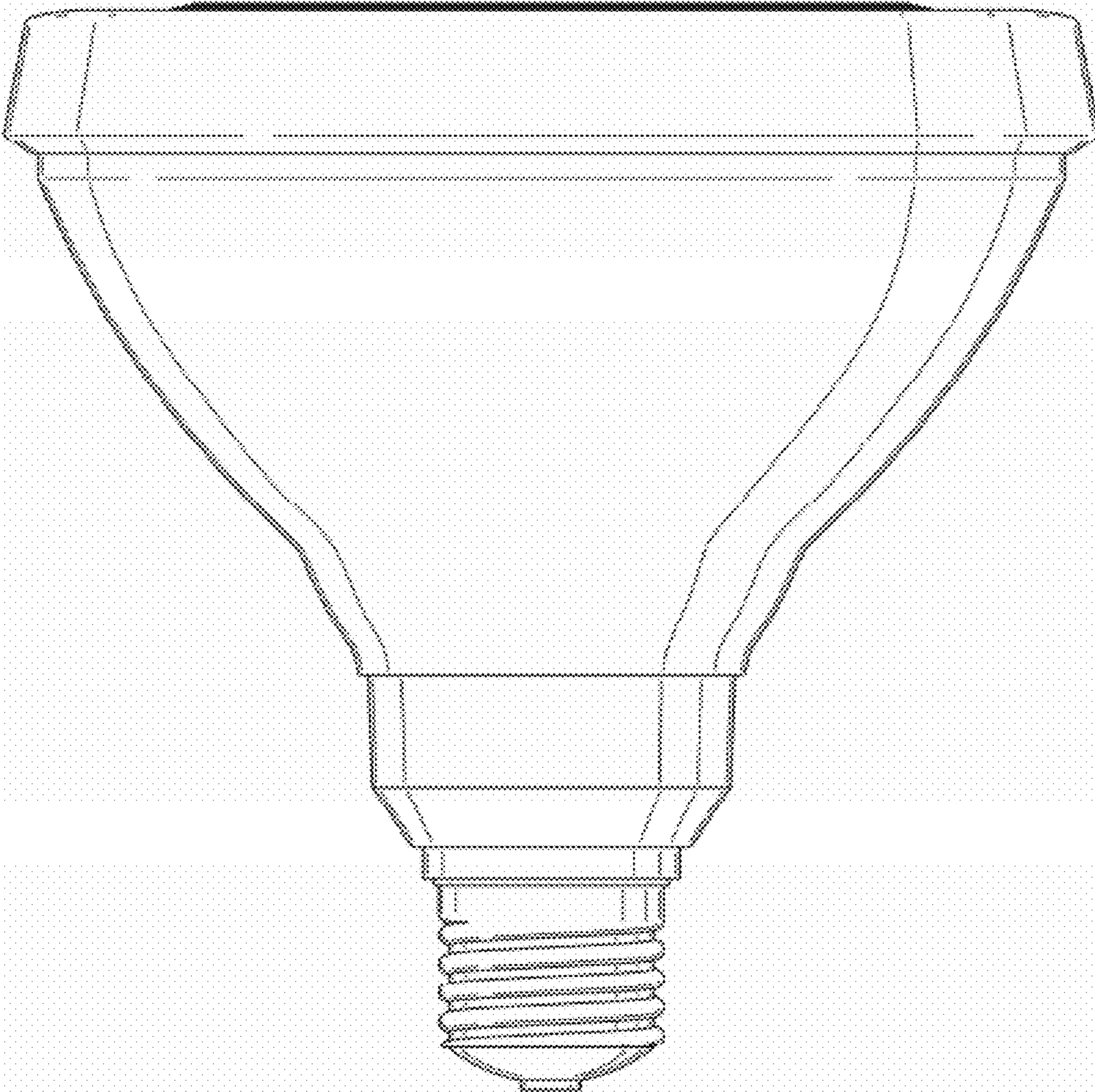


FIG. 5

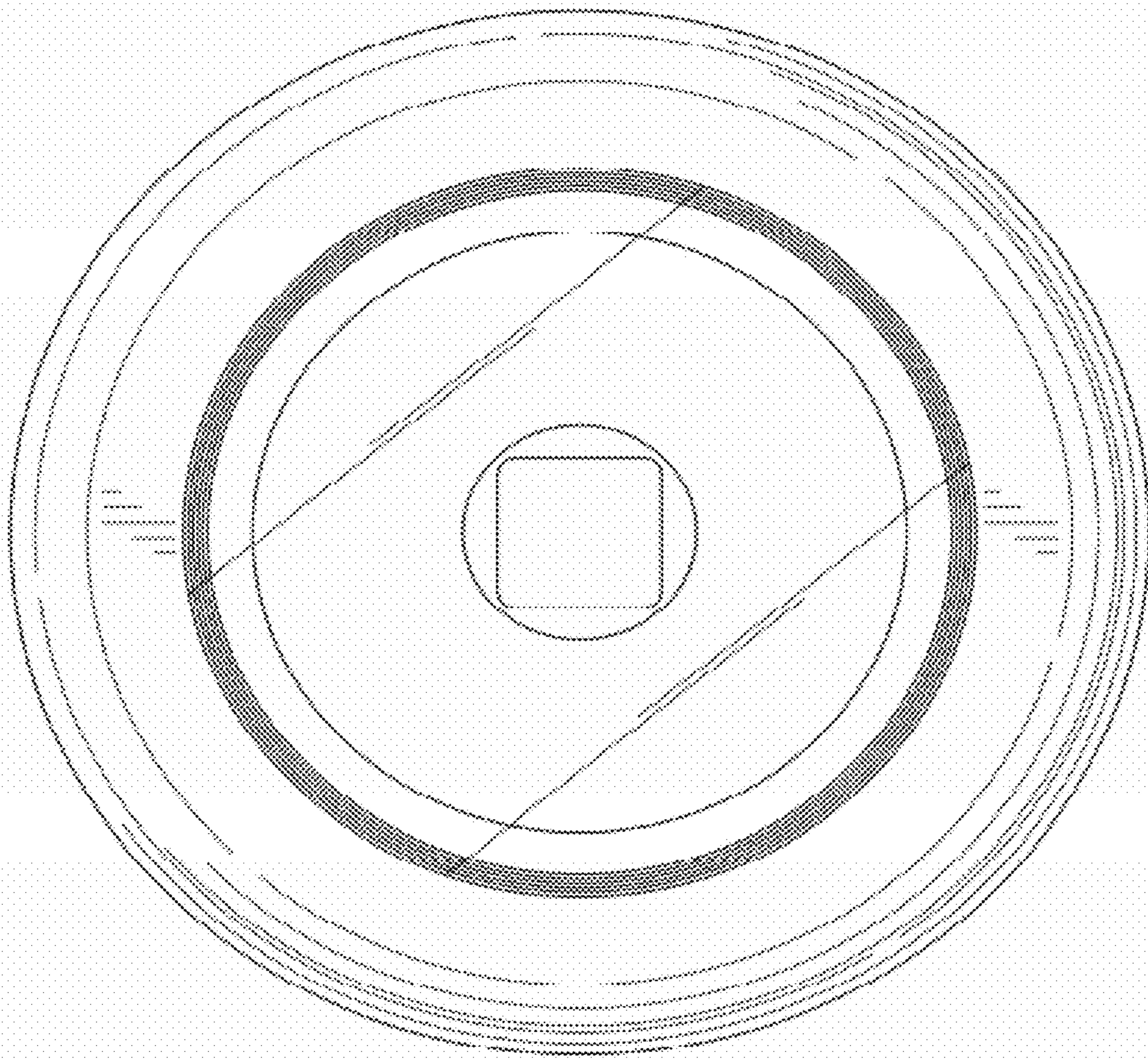


FIG. 6

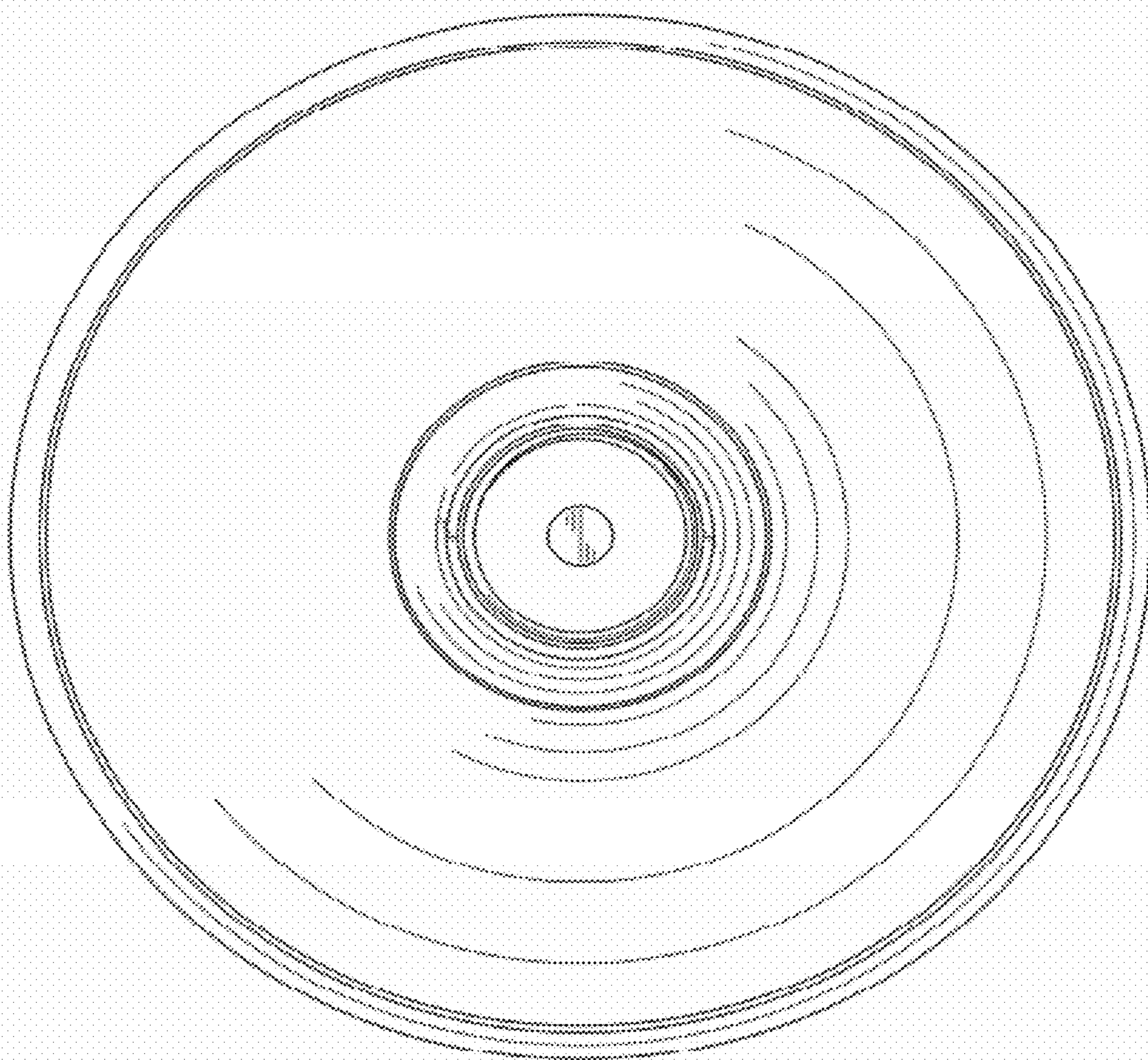


FIG. 7



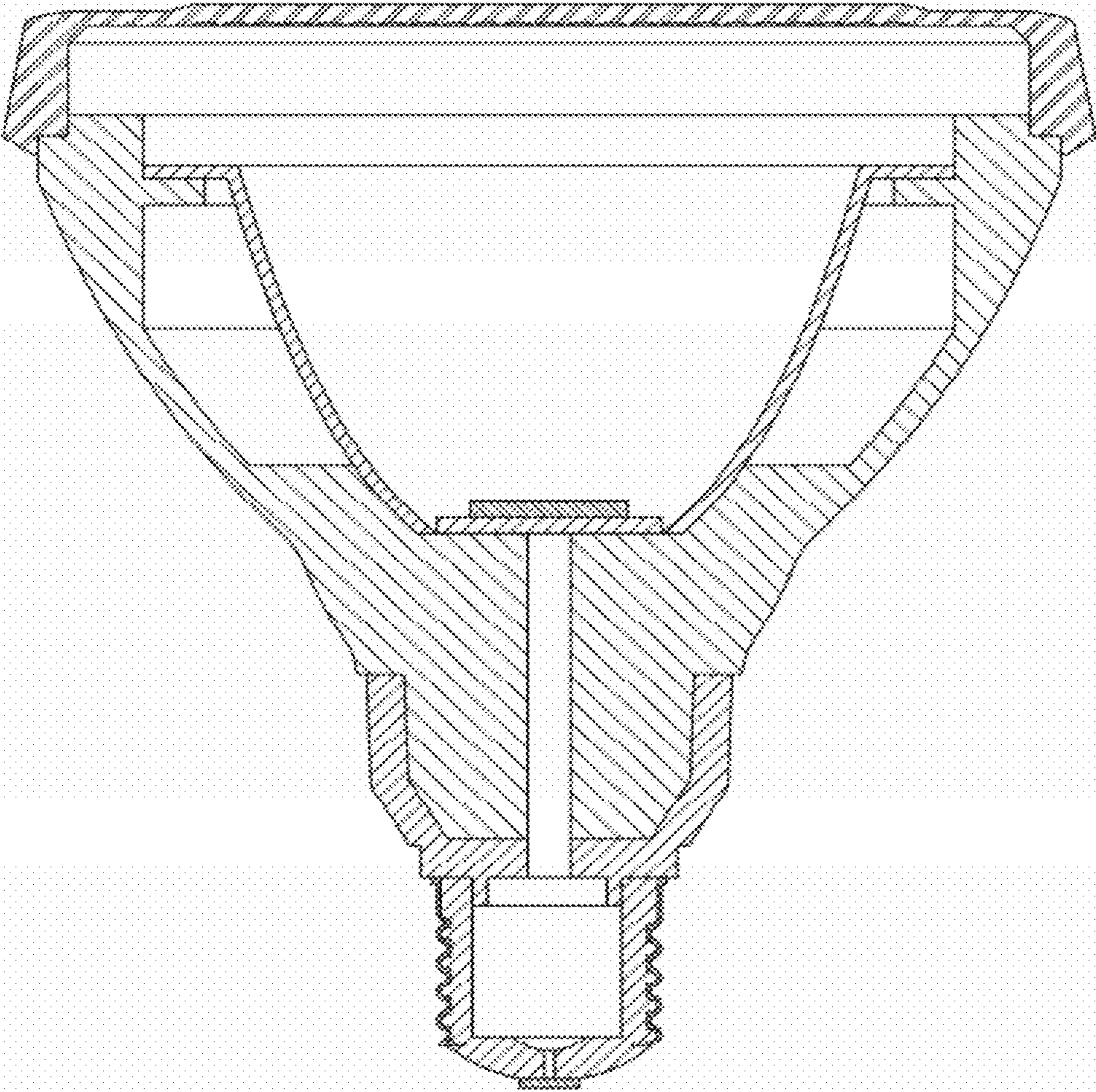


FIG. 8

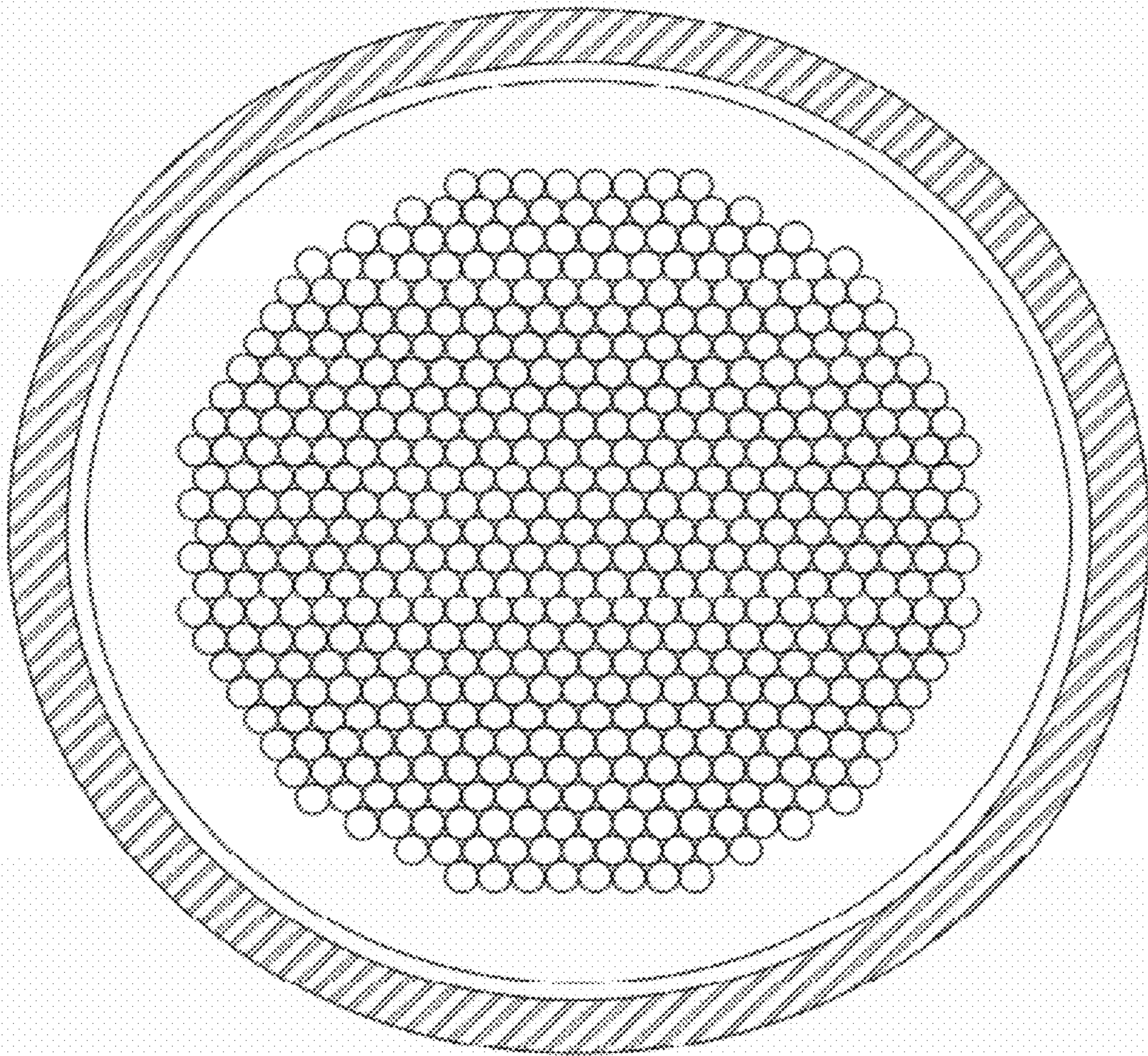
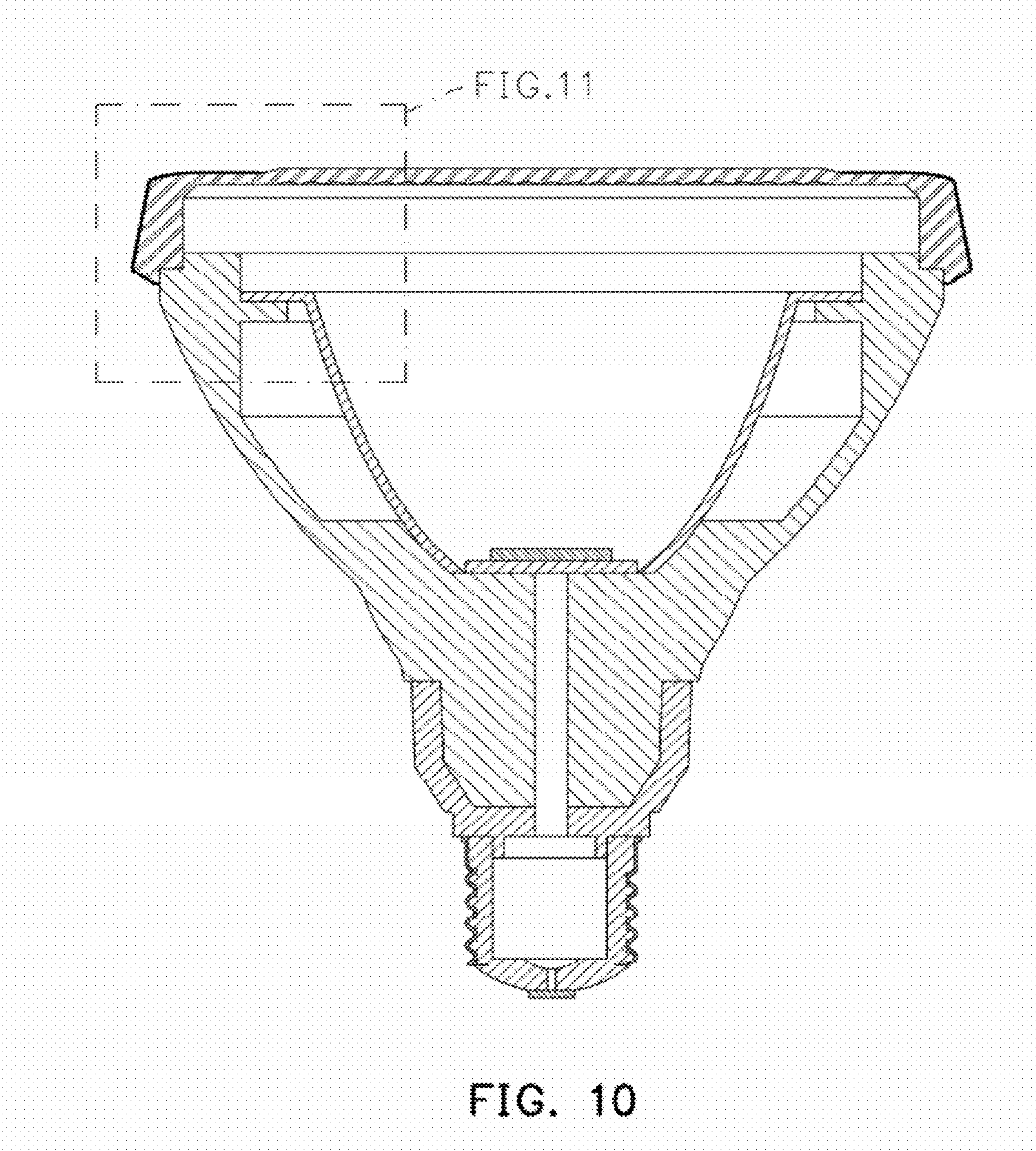


FIG. 9



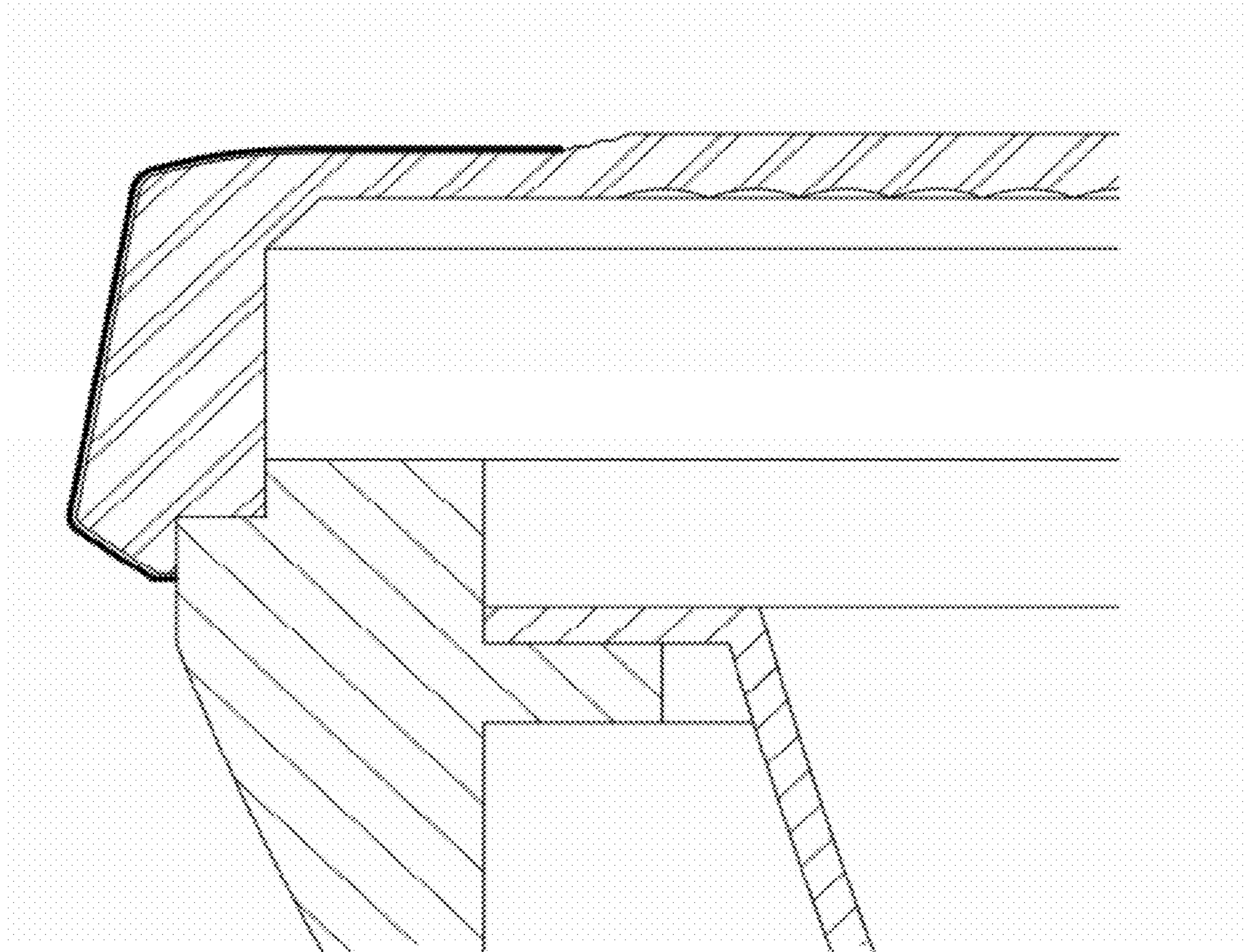


FIG. 11