



US00D663048S

(12) **United States Design Patent**
Chen

(10) **Patent No.:** **US D663,048 S**

(45) **Date of Patent:** **** Jul. 3, 2012**

(54) **LIGHT MODULE**

(76) Inventor: **Sikai Chen**, Passaic, NJ (US)

(**) Term: **14 Years**

(21) Appl. No.: **29/399,835**

(22) Filed: **Aug. 19, 2011**

(51) **LOC (9) Cl.** **26-04**

(52) **U.S. Cl.** **D26/1**

(58) **Field of Classification Search** D26/1-4;
313/313, 315, 316, 317, 318, 493; 315/52,
315/53, 56, 57, 58

See application file for complete search history.

(56) **References Cited**

U.S. PATENT DOCUMENTS

D565,750 S *	4/2008	Egawa	D26/1
D594,576 S *	6/2009	Chan et al.	D26/1
D621,968 S *	8/2010	Schultz	D26/1

* cited by examiner

Primary Examiner — Marcus Jackson

(74) *Attorney, Agent, or Firm* — Thomas L. Adams

(57) **CLAIM**

The ornamental design for a light module, as shown and described.

DESCRIPTION

FIG. 1 is a front perspective view of a light module showing my new design;

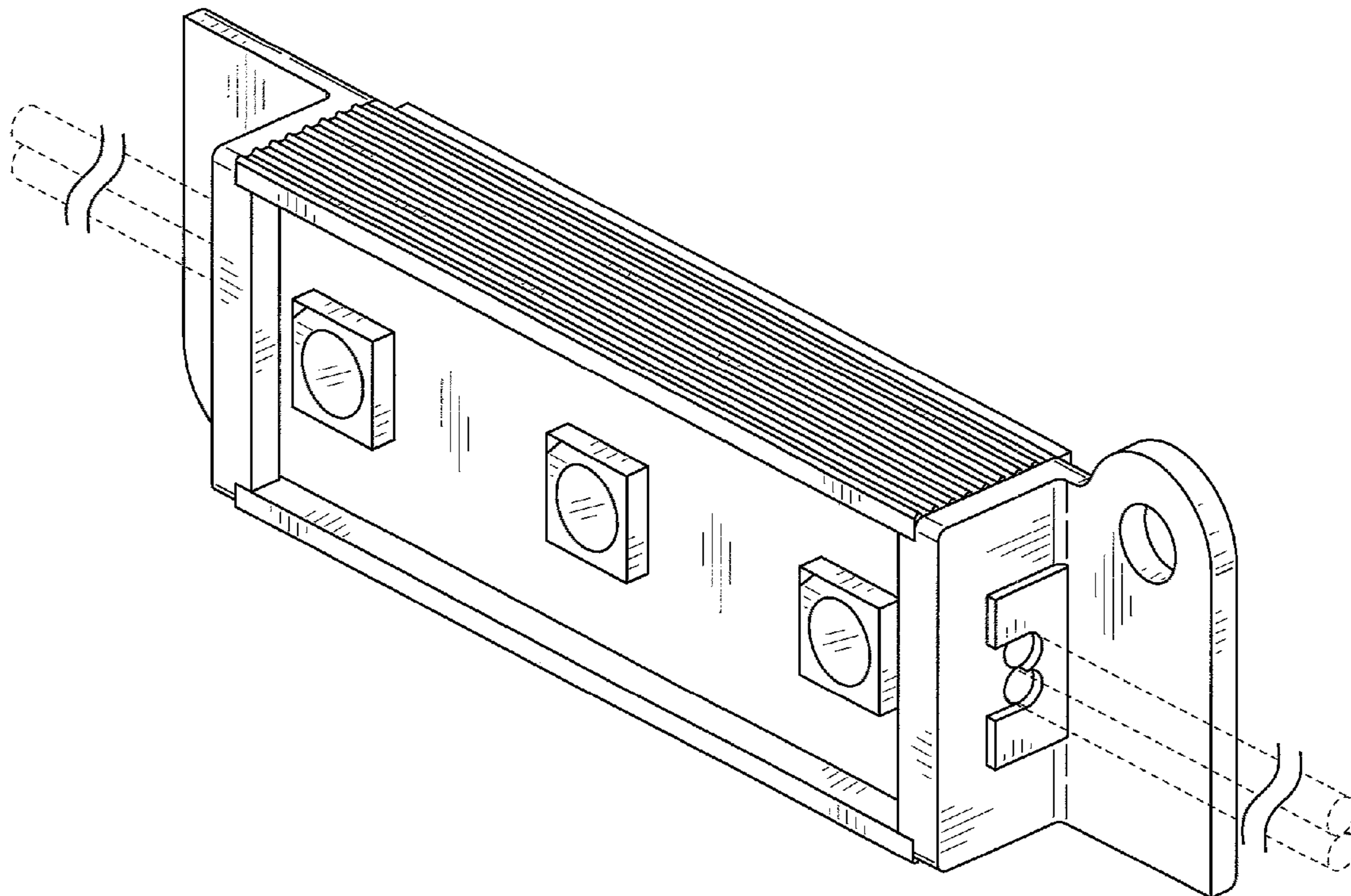
FIG. 2 is a front elevational view thereof;

FIG. 3 is a rear elevational view thereof;

FIG. 4 is a right side view of my new design, the left side elevational view being identical but rotated 180°; and,

FIG. 5 is a top plan view of my new design, the bottom view being a mirror image thereof.

1 Claim, 3 Drawing Sheets



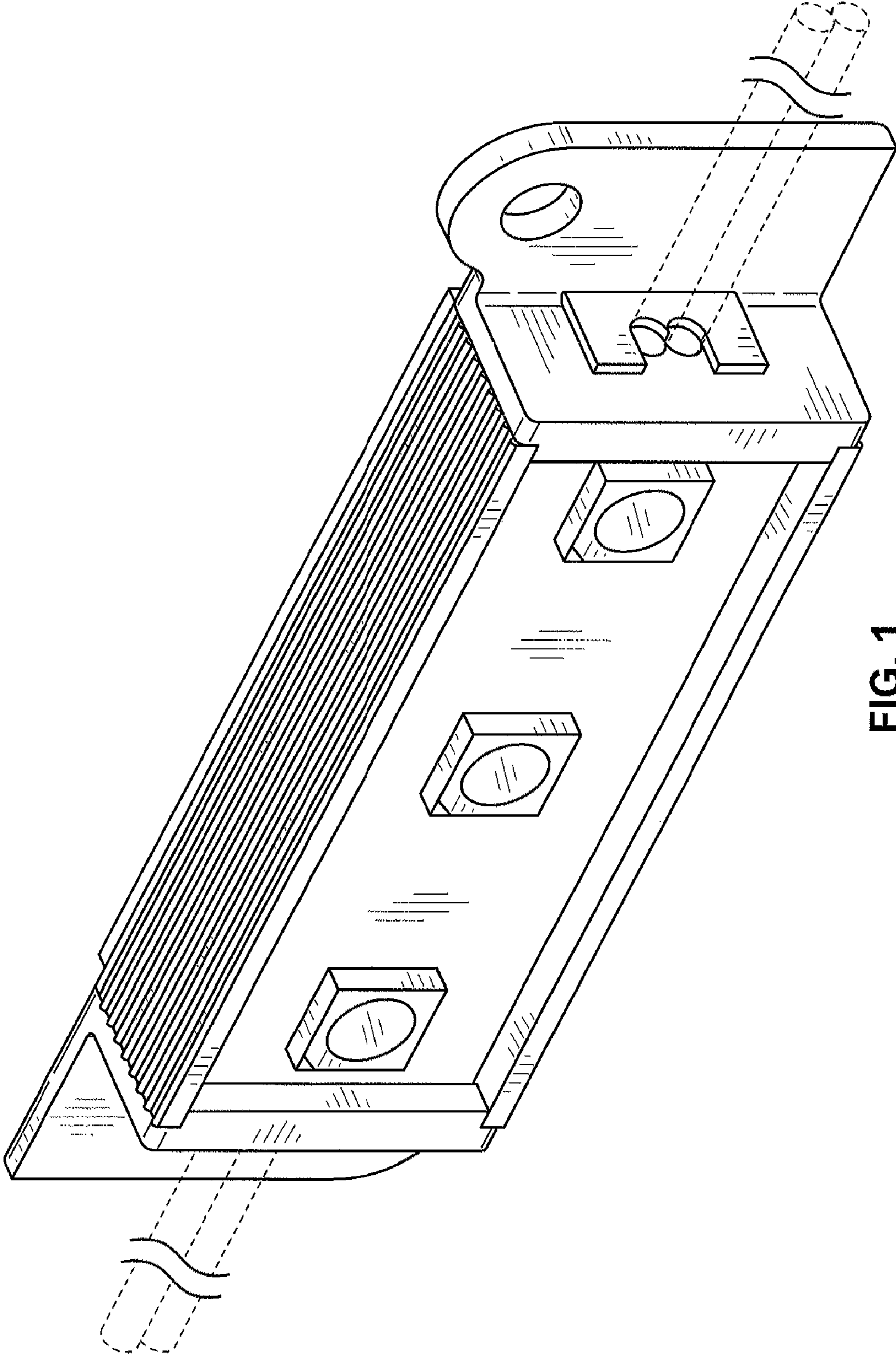


FIG. 1

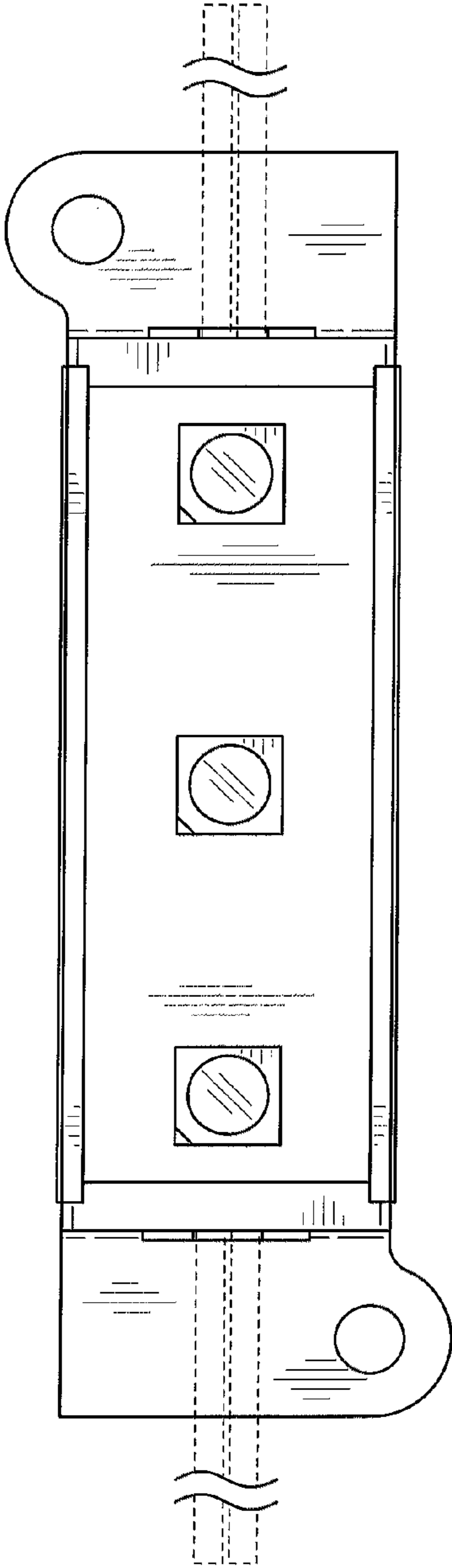


FIG. 2

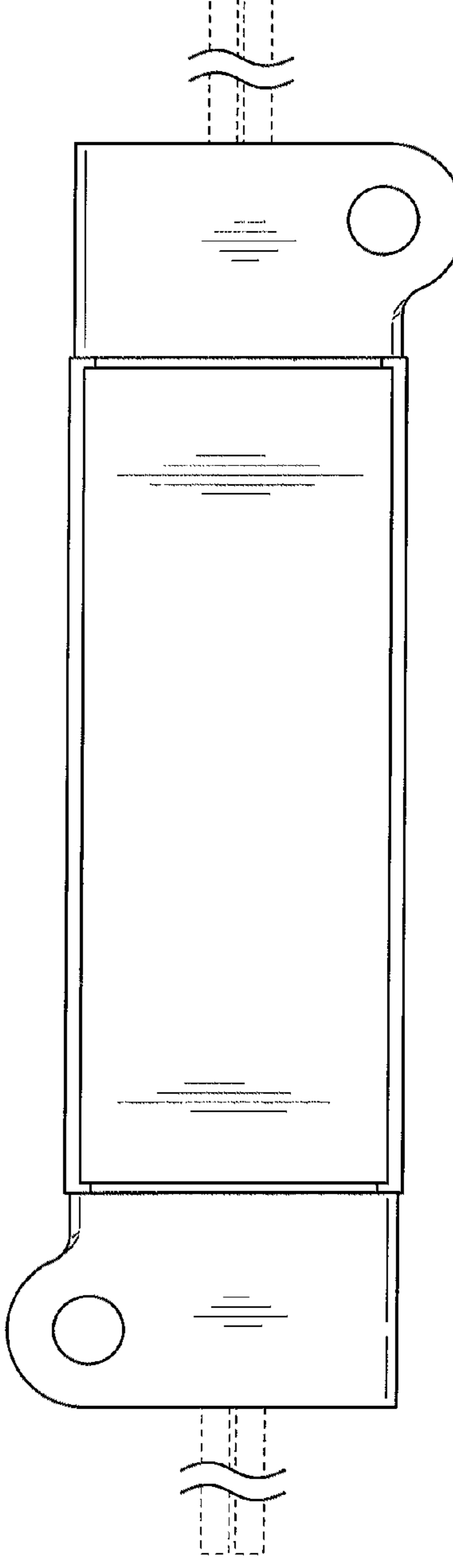


FIG. 3

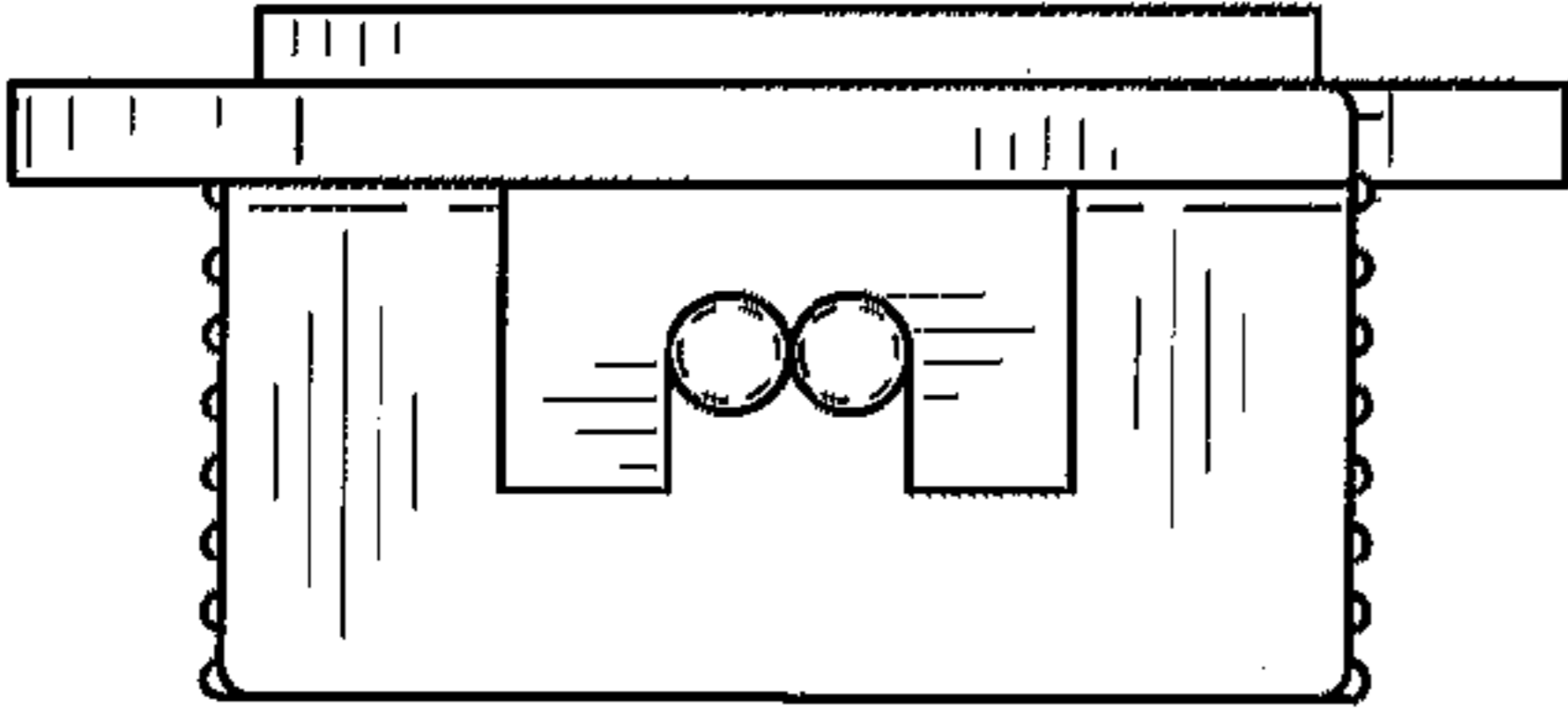


FIG. 4

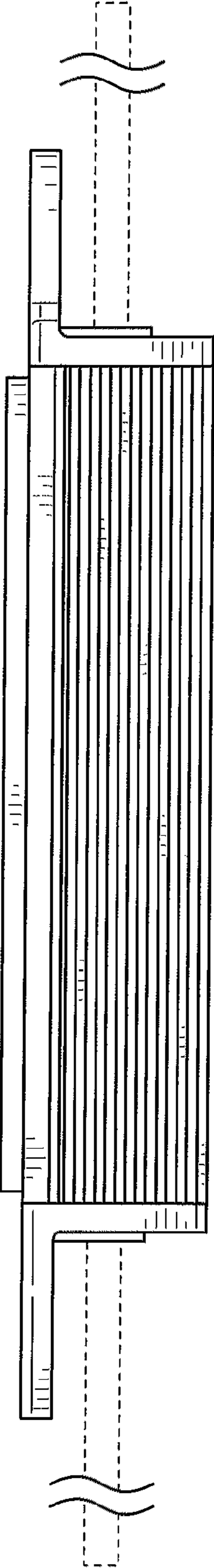


FIG. 5