



US00D663047S

(12) **United States Design Patent**
Shaw et al.

(10) **Patent No.:** **US D663,047 S**
(45) **Date of Patent:** **** Jul. 3, 2012**

(54) **SIDING PANEL HAVING GROOVED ENDS**

(75) Inventors: **Robert Shaw**, Parma, MI (US); **David Beck**, Jackson, MI (US); **David Stucky**, Grass Lake, MI (US); **David Steele**, Jackson, MI (US); **Robert Dodd**, Parma, MI (US); **James (Jamie) Valentine**, Rives Jct, MI (US)

(73) Assignee: **Certainteed Corporation**, Valley Forge, PA (US)

(**) Term: **14 Years**

(21) Appl. No.: **29/332,561**

(22) Filed: **Feb. 19, 2009**

(51) **LOC (9) Cl.** **25-01**

(52) **U.S. Cl.** **D25/139**

(58) **Field of Classification Search** D25/139-141, D25/143, 150, 149; 52/518-520, 544, 555, 52/557, 528, 440, 441, 442, 409, 314, 309.1, 52/309.14, 273

See application file for complete search history.

(56) **References Cited**

U.S. PATENT DOCUMENTS

3,559,359	A	2/1971	Talbert	
3,593,479	A *	7/1971	Hinds et al.	52/313
3,774,428	A	11/1973	Derry et al.	
3,897,667	A	8/1975	Turek	
4,598,522	A *	7/1986	Hoofe, III	52/555
4,680,911	A *	7/1987	Davis et al.	52/521
D291,249	S *	8/1987	Manning	D25/141
4,803,821	A *	2/1989	Funaki	52/387
4,972,647	A	11/1990	Meldrum	
5,167,781	A	12/1992	Kemerer et al.	
D370,539	S *	6/1996	Treat	D25/140
5,526,627	A	6/1996	Beck	
D385,049	S *	10/1997	Anderson	D25/136

5,743,059	A *	4/1998	Fifield	52/519
D402,770	S *	12/1998	Hendrickson et al.	D25/141
D403,237	S	12/1998	Opielski et al.	
D405,683	S	2/1999	Opielski et al.	
D406,750	S	3/1999	Opielski et al.	
5,875,602	A	3/1999	Lappin et al.	
D407,968	S	4/1999	Opielski et al.	

(Continued)

FOREIGN PATENT DOCUMENTS

EP 0 344 164 B1 12/1994

(Continued)

OTHER PUBLICATIONS

International Search Report and Written Opinion in PCT/US/08/82476, filed Nov. 5, 2008.

(Continued)

Primary Examiner — Mark Goodwin

(74) *Attorney, Agent, or Firm* — Duane Morris LLP

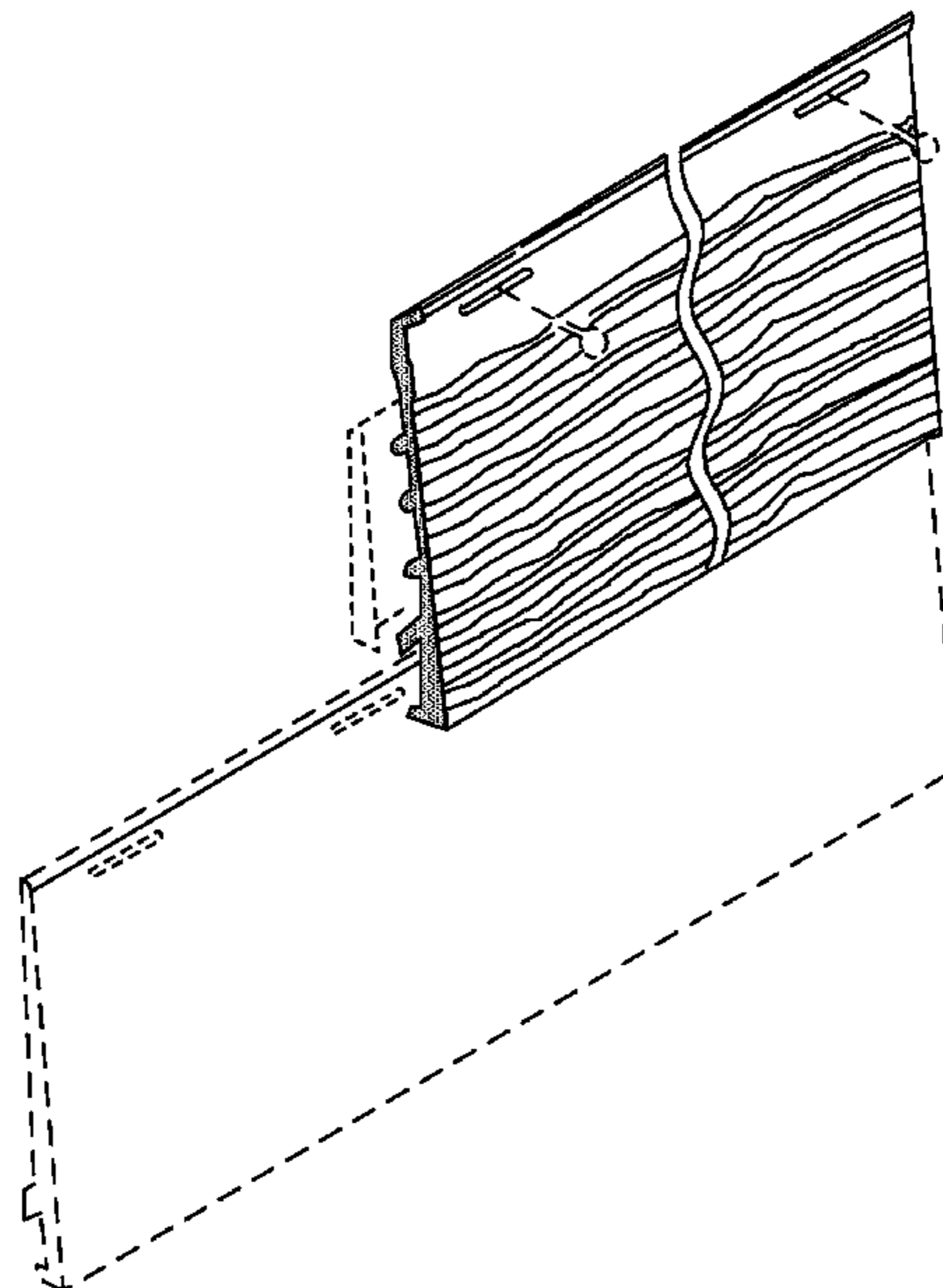
(57) **CLAIM**

The ornamental design for siding panel having grooved ends, as shown and described.

DESCRIPTION

FIG. 1 is a left front perspective view of a siding panel having grooved ends showing our new design, the wavy lines in the center of all the figures represents indeterminate length, the broken line showing of an extra siding panel having grooved ends, fasteners and an installation clip are for environmental purposes only and form no part of the claimed design; FIG. 2 is an enlarged right rear perspective view thereof; and, FIG. 3 is a right rear perspective view of an alternate embodiment of a siding panel having grooved ends showing our new design, the front view being the same as FIG. 1.

1 Claim, 3 Drawing Sheets



US D663,047 S

Page 2

U.S. PATENT DOCUMENTS

D408,728	S	4/1999	Opielski et al.	
5,893,249	A	4/1999	Peterson et al.	
5,906,840	A	5/1999	Bosler et al.	
6,047,507	A	4/2000	Lappin et al.	
D427,893	S	7/2000	Lappin et al.	
6,108,994	A	8/2000	Bodine	
D441,875	S	5/2001	Wylie	
6,230,463	B1	5/2001	Bodine	
6,260,325	B1	7/2001	Wendt et al.	
D448,865	S *	10/2001	Manning	D25/141
D449,121	S *	10/2001	Hunter et al.	D25/139
6,295,777	B1	10/2001	Hunter et al.	
D450,138	S *	11/2001	Barber	D25/141
6,318,042	B1	11/2001	Bloom et al.	
6,319,456	B1	11/2001	Gilbert et al.	
D452,334	S *	12/2001	Gilbert et al.	D25/143
6,344,268	B1	2/2002	Stucky et al.	
6,389,771	B1	5/2002	Moller	
D471,292	S *	3/2003	Barber	D25/141
6,557,829	B1	5/2003	Steffes	
6,619,628	B1	9/2003	Steffes	
6,622,991	B2	9/2003	Steffes	
6,641,384	B2	11/2003	Bosler et al.	
6,715,250	B2 *	4/2004	Bryant et al.	52/528
6,737,008	B2	5/2004	Gilbert et al.	
6,880,306	B2	4/2005	Burken et al.	
D506,839	S *	6/2005	King	D25/141
D507,666	S *	7/2005	King	D25/141
D507,837	S *	7/2005	King	D25/141
7,062,886	B2	6/2006	Auriemma	
D530,833	S *	10/2006	Robertson et al.	D25/121
7,207,145	B2	4/2007	Stucky et al.	
7,441,382	B2	10/2008	Beck et al.	
D586,008	S *	2/2009	Vandewater et al.	D25/141
7,507,464	B2	3/2009	Walrath	
D602,612	S *	10/2009	Baum, Jr.	D25/141
D603,067	S *	10/2009	Krause et al.	D25/139
D603,068	S *	10/2009	Das	D25/139
D603,069	S *	10/2009	Das	D25/139
D621,075	S *	8/2010	Haeussler	D25/140
D622,419	S *	8/2010	King	D25/151
D622,420	S *	8/2010	King	D25/151
D643,133	S *	8/2011	Steffes et al.	D25/141
2002/0189187	A1 *	12/2002	Bryant et al.	52/528
2004/0159062	A1 *	8/2004	Donlin et al.	52/506.01
2004/0266933	A1	12/2004	Freedman et al.	
2005/0072110	A1	4/2005	Shiao et al.	

2005/0072114	A1	4/2005	Shiao et al.
2006/0026921	A1	2/2006	Krause
2006/0029775	A1	2/2006	MacKinnon et al.
2006/0053715	A1	3/2006	Mowery et al.
2006/0053716	A1	3/2006	Mowery et al.
2007/0009688	A1	1/2007	Haque et al.
2007/0011976	A1	1/2007	Mowery et al.
2007/0078191	A1	4/2007	Guhde et al.
2007/0185748	A1	8/2007	Anderson et al.
2007/0193177	A1	8/2007	Wilson et al.
2007/0212970	A1	9/2007	Rockwell et al.
2007/0254987	A1	11/2007	Festa et al.
2008/0010924	A1	1/2008	Pietruczynik et al.
2008/0028705	A1	2/2008	Morse et al.
2008/0102270	A1	5/2008	Shiao et al.
2008/0256879	A1	10/2008	Babineau

FOREIGN PATENT DOCUMENTS

EP	0 555 193	B1	6/1996
EP	0979908	A2	2/2000
EP	1 154 089	A1	11/2001
EP	1 154 088	A3	12/2001
EP	1 154 089	B1	9/2007
EP	1 154 088	B1	9/2008
WO	WO 01/27403	A1	4/2001
WO	WO 02/35030	A1	2/2002
WO	WO 2005/083192	A1	9/2005

OTHER PUBLICATIONS

Ecophon, Focus Frost Ds™, undated, pp. 1-6.
 Ecophon, Focus Elite, the floating ceiling, Oct. 1992, pp. 1-6.
 Amendment in U.S. Appl. No. 09/141,407, Feb. 1, 2000, pp. 1-17.
 Amendment in U.S. Appl. No. 09/571,785, Nov. 30, 2000, pp. 1-9.
 Preliminary Amendment to U.S. Appl. No. 09/571,785, Jun. 12, 2000, pp. 1-4.
 PTO Office Action in U.S. Appl. No. 09/571,785, Aug. 30, 2000, pp. 1-5.
 PTO Interview Summary, U.S. Appl. No. 09/141,407, Jan 10, 2000, 1 page.
 Interlocutory decision dated Dec. 28, 2006 in 99-115-715.7, Armstrong World Industries, Inc.
 International Search Report and Written Opinion dated Dec. 24, 2008 from International Application No. PCT/US08/82476 filed Nov. 5, 2008.

* cited by examiner

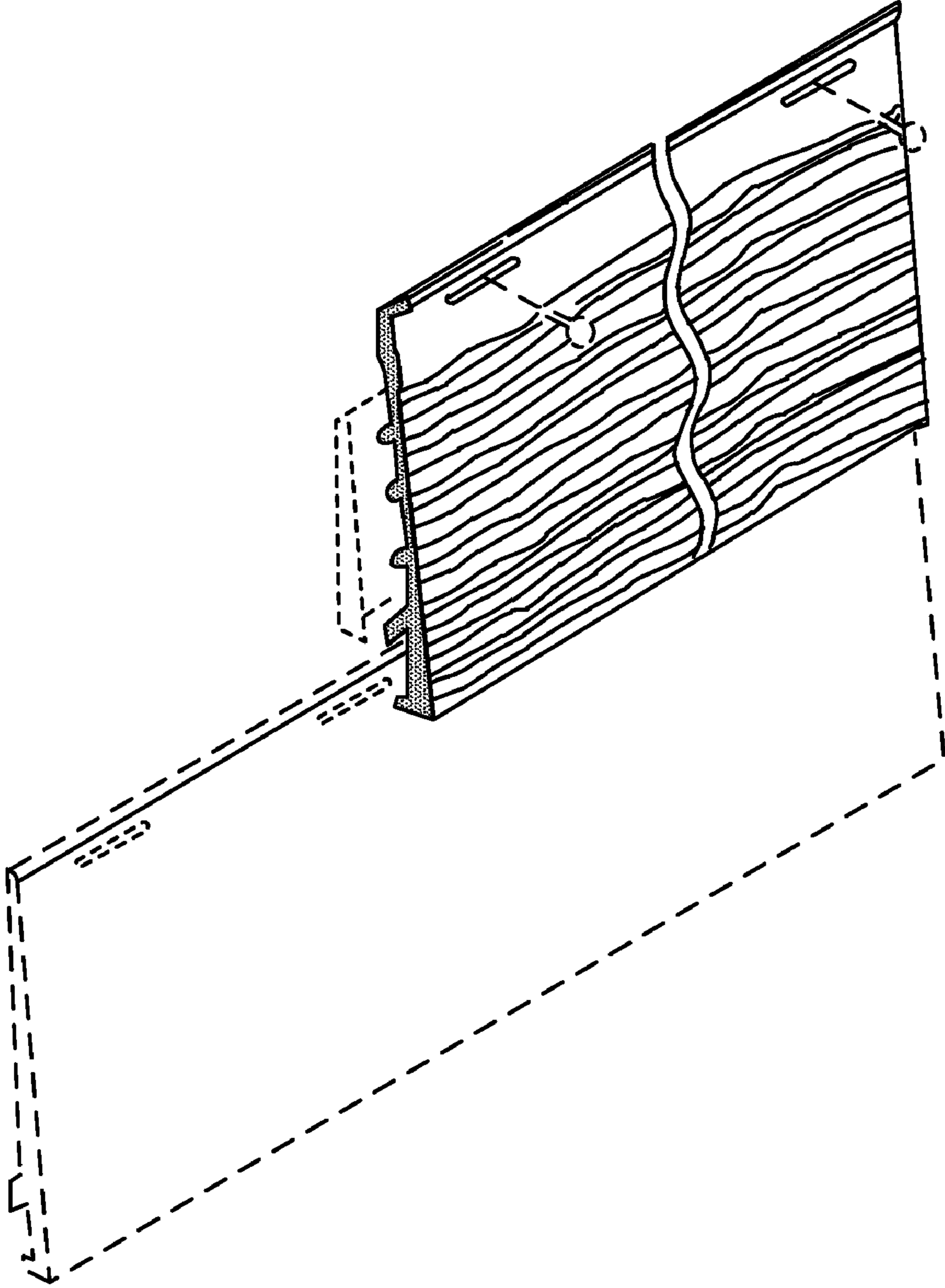


FIG. 1

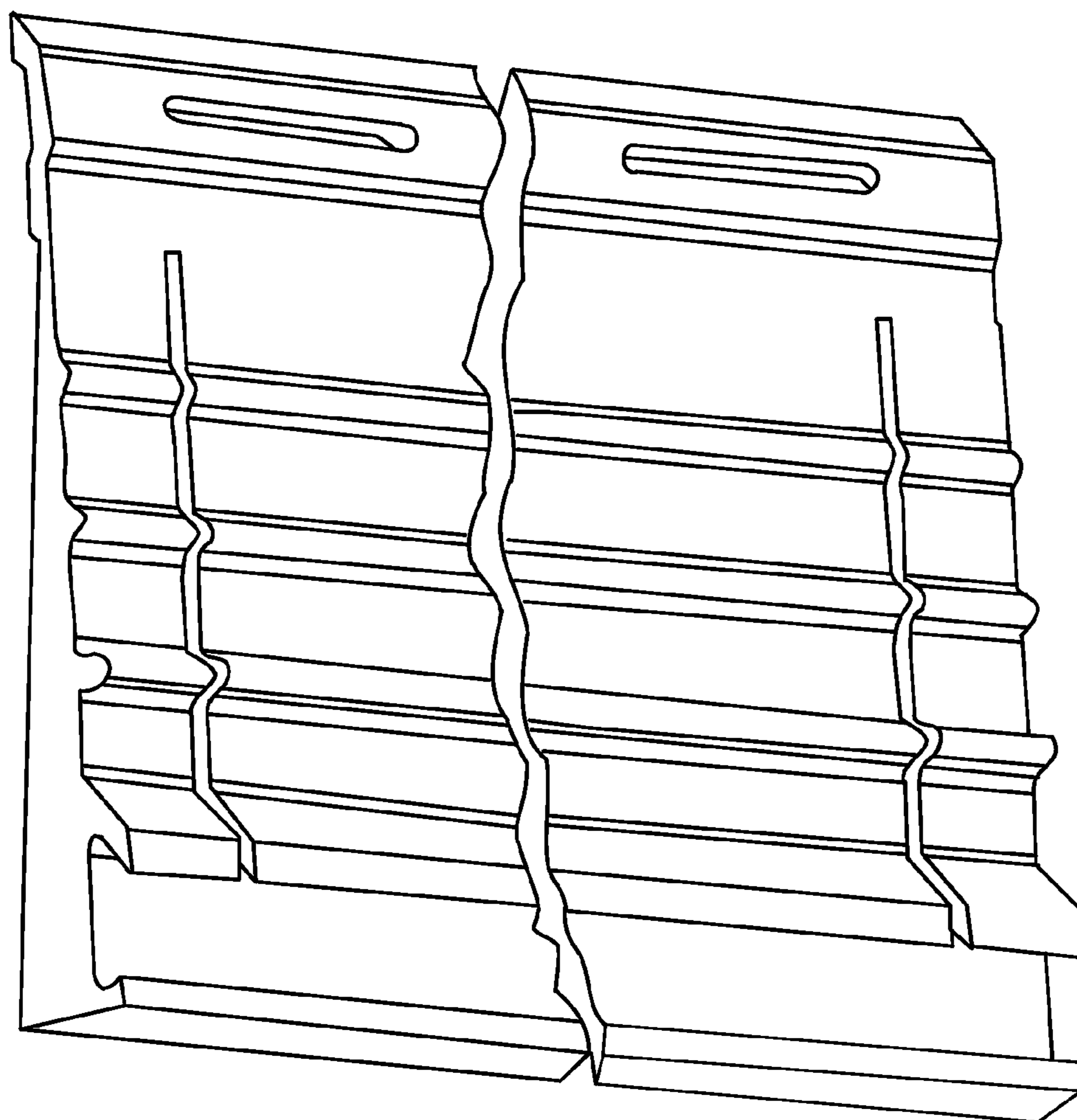


FIG. 2

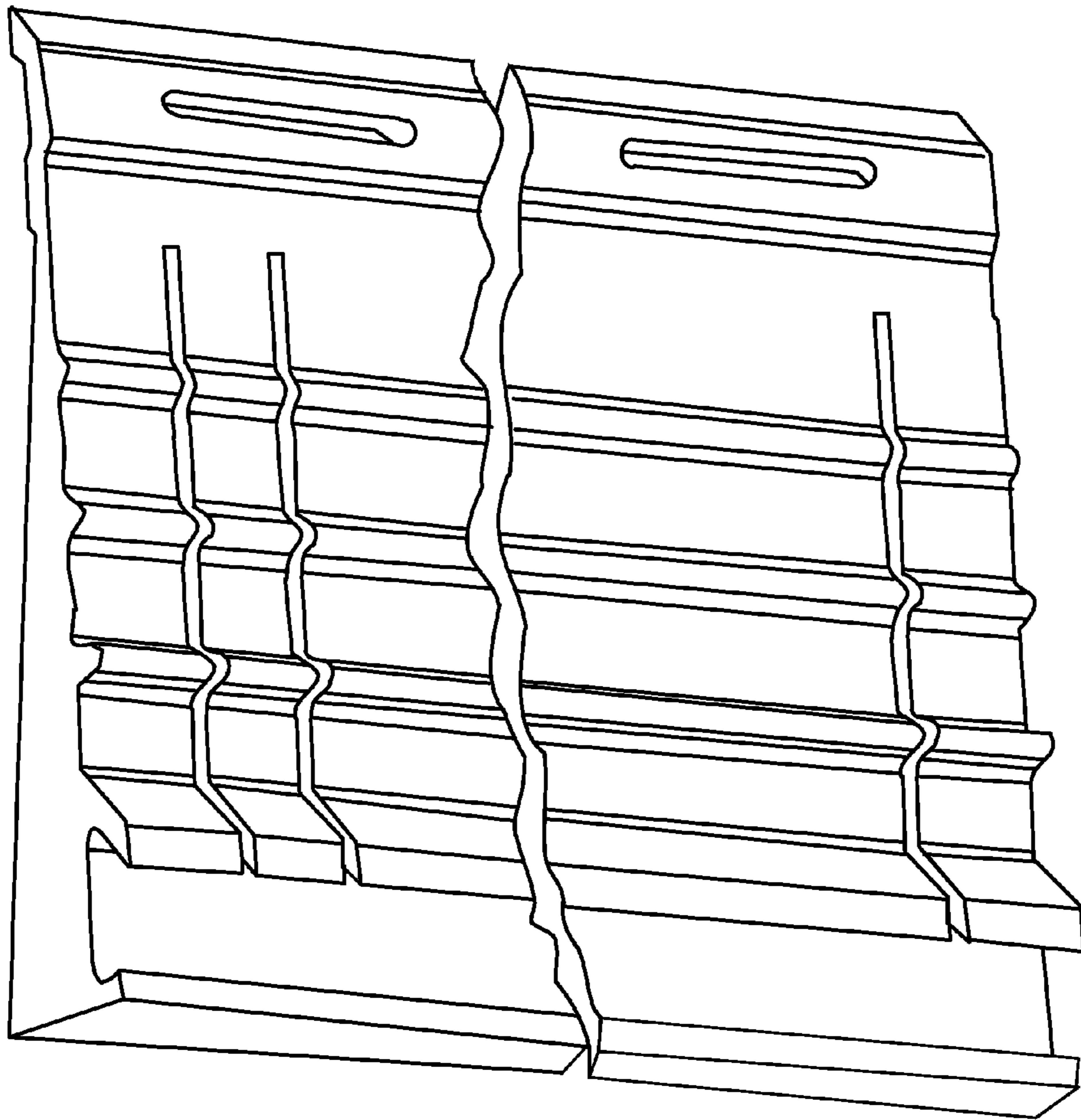


FIG. 3