

US00D663042S

(12) **United States Design Patent**
Motadel et al.

(10) **Patent No.:** **US D663,042 S**
(45) **Date of Patent:** **** Jul. 3, 2012**

(54) **PIPETTE TIP**

(75) Inventors: **Arta Motadel**, San Diego, CA (US);
Peter Paul Blaszcak, San Diego, CA
(US); **Phillip Chad Hairfield**, San
Diego, CA (US); **Sean Michael**
Callahan, San Diego, CA (US)

(73) Assignee: **Biotix, Inc.**, San Diego, CA (US)

(**) Term: **14 Years**

(21) Appl. No.: **29/354,398**

(22) Filed: **Jan. 22, 2010**

(51) **LOC (9) Cl.** **24-02**

(52) **U.S. Cl.** **D24/222**

(58) **Field of Classification Search** D24/216,
D24/222-226, 231, 232, 169; D10/81; 422/100;
73/864.01, 864.11, 864.13, 864.14, 864.16
See application file for complete search history.

(56) **References Cited**

U.S. PATENT DOCUMENTS

D255,601	S *	6/1980	De Vaughn	D24/222
D256,052	S *	7/1980	De Vaughn	D24/222
4,647,419	A *	3/1987	Helfer et al.	264/328.9
4,707,337	A *	11/1987	Jeffs et al.	422/100
D300,561	S *	4/1989	Asa et al.	D24/112
5,032,343	A	7/1991	Jeffs et al.		
5,232,669	A	8/1993	Pardinas		
D384,418	S *	9/1997	Torti et al.	D24/222
D439,986	S *	4/2001	Petrek	D24/222
D461,904	S *	8/2002	Petrek	D24/222
D465,844	S *	11/2002	Anderson et al.	D24/222
6,566,145	B2 *	5/2003	Brewer	73/864.01
6,596,240	B2 *	7/2003	Taggart et al.	422/525
D487,593	S *	3/2004	Sarna	D24/222
2005/0255005	A1	11/2005	Motadel		
2006/0171851	A1	8/2006	Motadel		
2007/0231215	A1	10/2007	Mototsu et al.		
2010/0218622	A1	9/2010	Motadel		

FOREIGN PATENT DOCUMENTS

EP	0743095	11/1996
EP	2140941	1/2010
JP	08-266913	10/1996

(Continued)

OTHER PUBLICATIONS

International Search Report and Written Opinion mailed on: Aug. 25, 2010 in International Application No. PCT/US2010/020666 filed on Jan. 11, 2010 and published as: WO 10/081107 on: Jul. 15, 2010.

(Continued)

Primary Examiner — Anhdao Doan

(74) *Attorney, Agent, or Firm* — Grant Anderson LLP

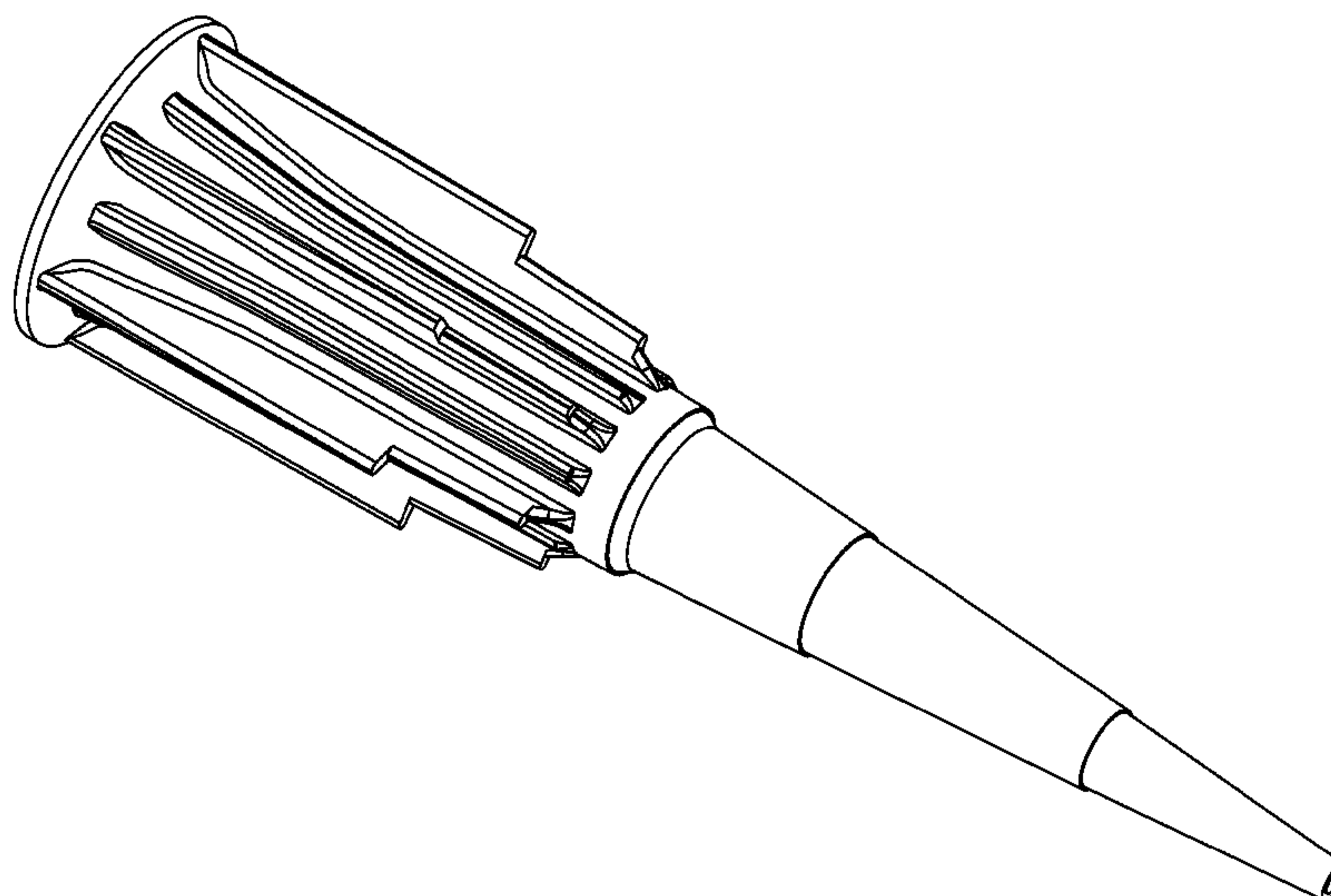
(57) **CLAIM**

The ornamental design for a pipette tip, as shown and described.

DESCRIPTION

FIG. 1 is a perspective view of a first embodiment of a pipette tip;
 FIG. 2 is a front view thereof;
 FIG. 3 is a side view thereof;
 FIG. 4 is a top view thereof;
 FIG. 5 is a bottom view thereof;
 FIG. 6 is a perspective view of a second embodiment of a pipette tip;
 FIG. 7 is a front view thereof;
 FIG. 8 is a side view thereof;
 FIG. 9 is a top view thereof;
 FIG. 10 is a bottom view thereof;
 FIG. 11 is an enlarged view of the pipette tip region indicated in FIG. 6;
 FIG. 12 is an enlarged view of the pipette tip region indicated in FIG. 7; and,
 FIG. 13 is an enlarged view of the pipette tip region indicated in FIG. 8.
 Broken lines are included for the purpose of illustrating portions of a pipette tip that form no part of the claimed design.

1 Claim, 11 Drawing Sheets



US D663,042 S

Page 2

FOREIGN PATENT DOCUMENTS

RU	2144158	1/2000
WO	WO 2006/093925	9/2006
WO	WO 2010/081107	7/2010
WO	WO 2011/091308	7/2011

OTHER PUBLICATIONS

Sorenson BioScience, Inc. Liquid Handling Products, VWR 2008 Catalog.

Sorenson low binding aerosol barrier tips, MicroReach Guard, capacity 10ul. Catalog No. Z719390, Sigma-Aldrich Co. 2010 Catalog, Printed from the internet on Sep. 9, 2010.

Corning Deck Works Pipet Tips, Product Brochure 2010.

International Search Report and Written Opinion mailed on: Oct. 28, 2011 in International Application No. PCT/US2011/022129 filed on Jan. 21, 2011 and published as: WO 2011/091308 on: Jul. 28, 2011. Office Action mailed on: Jan. 10, 2012 in U.S. Appl. No. 12/685,590, filed on Jan. 11, 2010.

* cited by examiner

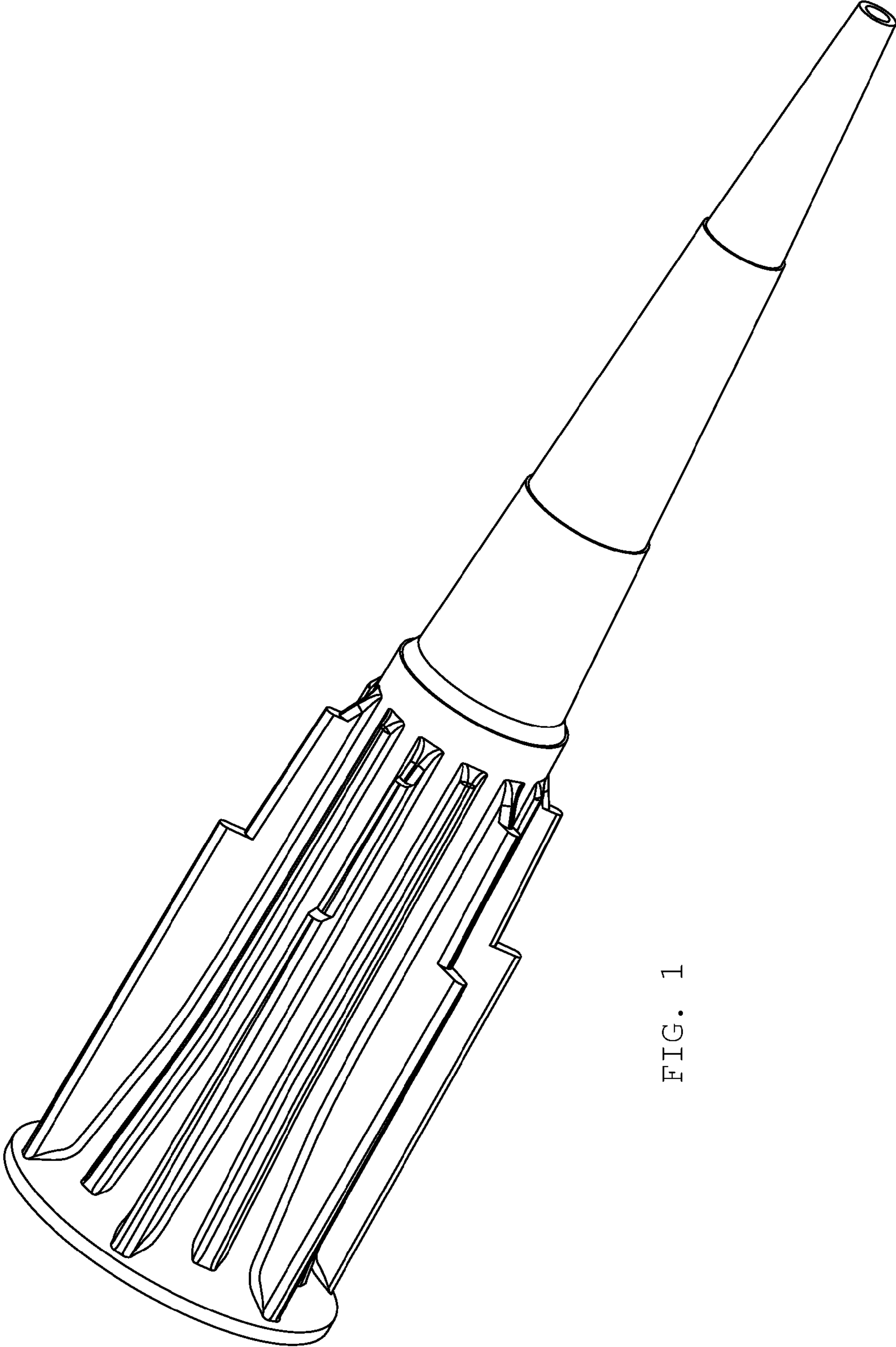


FIG. 1

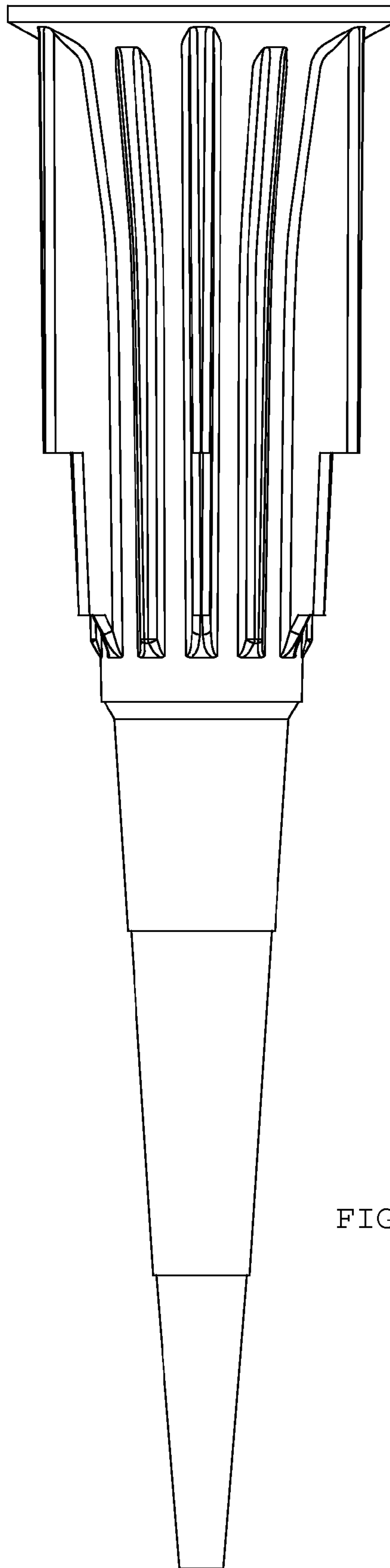


FIG. 2

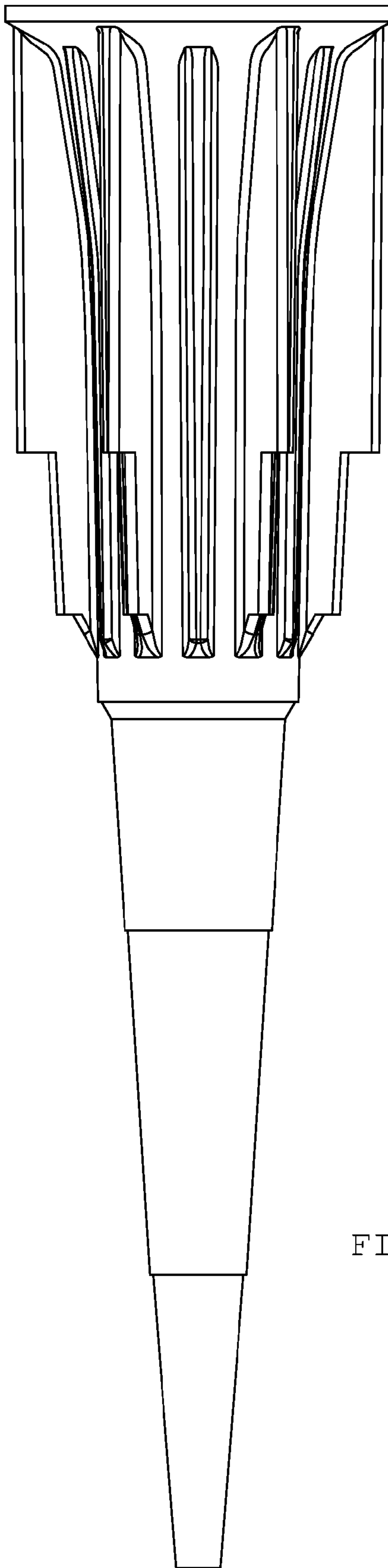


FIG. 3

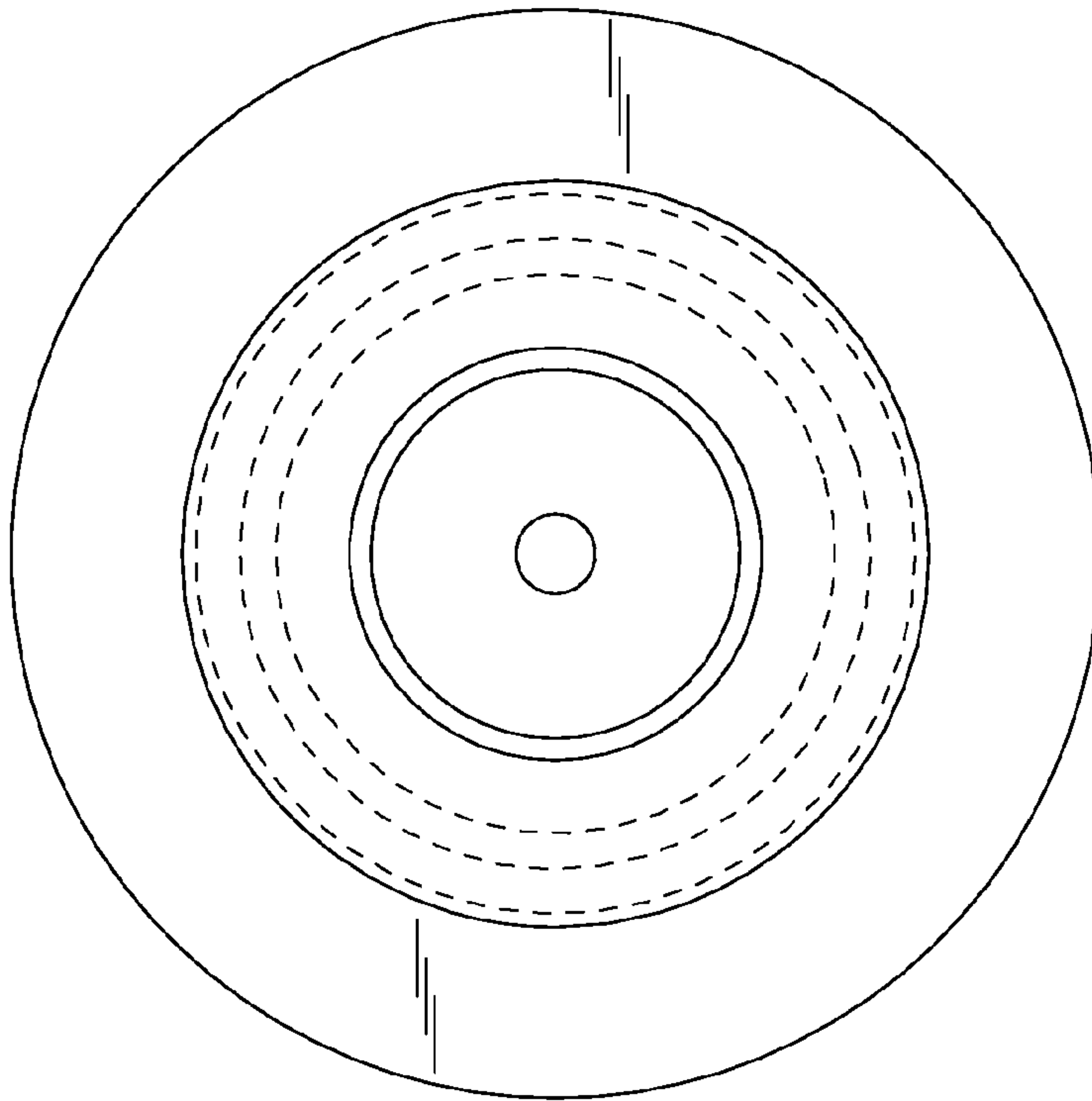


FIG. 4

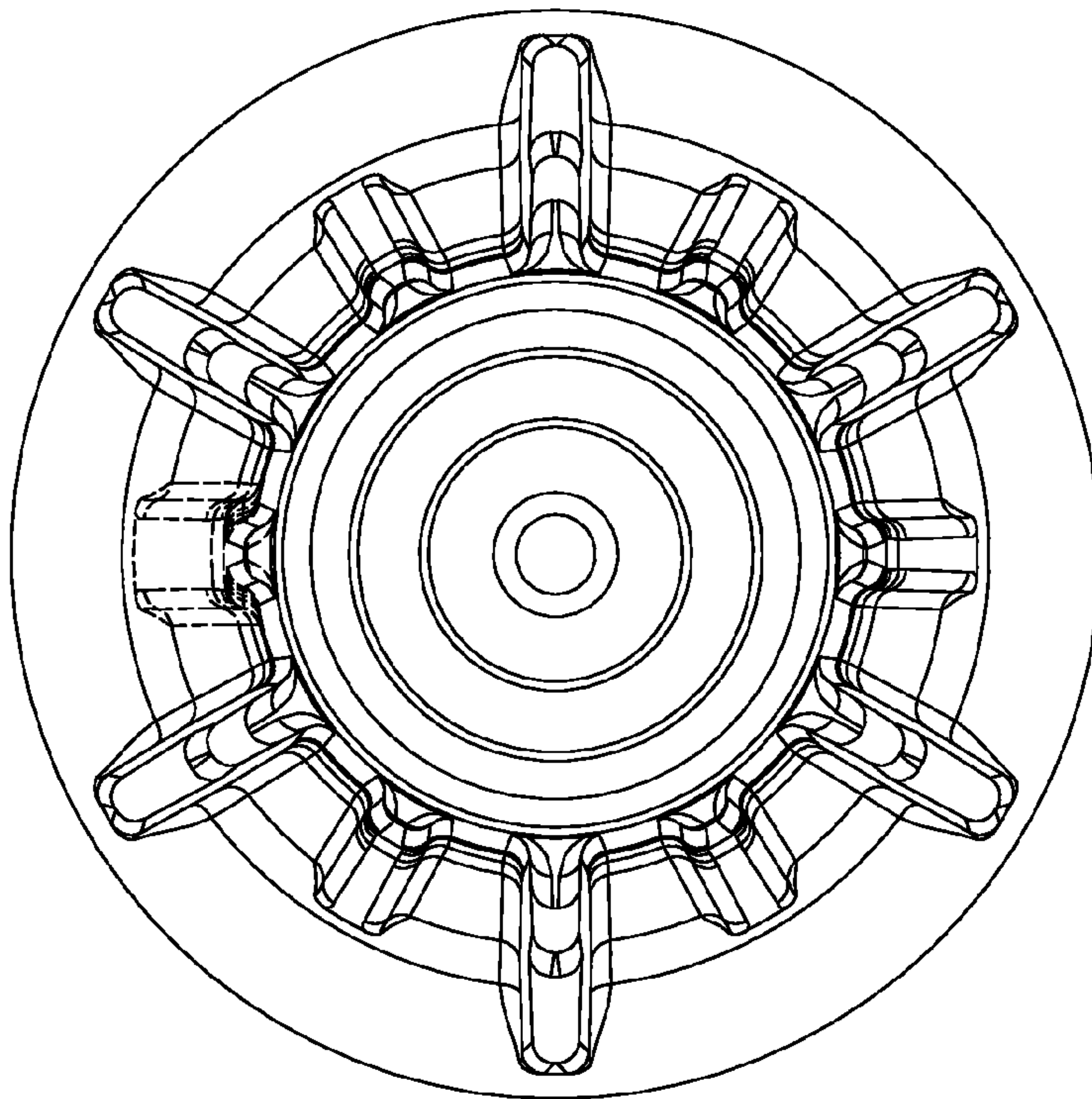


FIG. 5

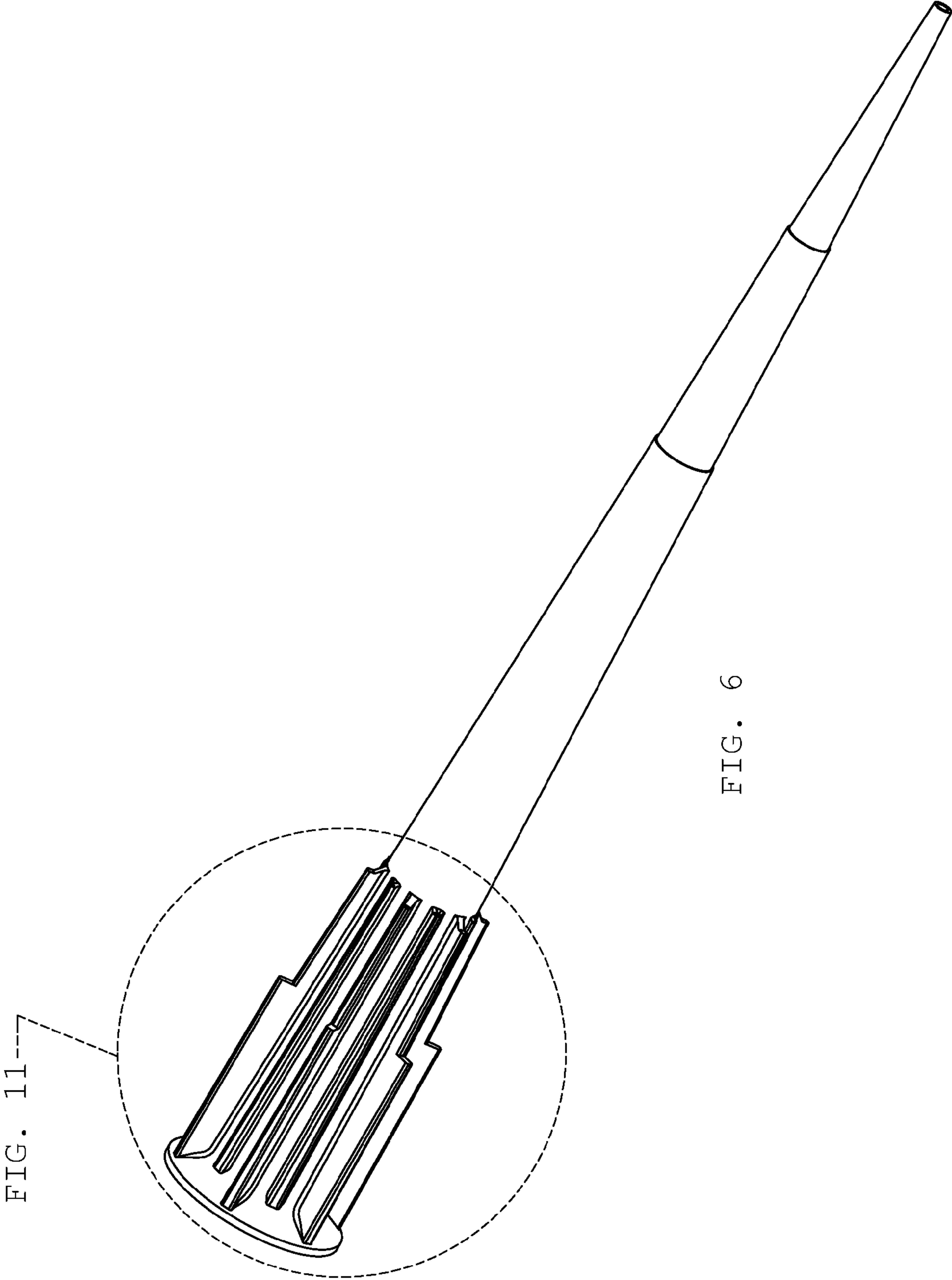
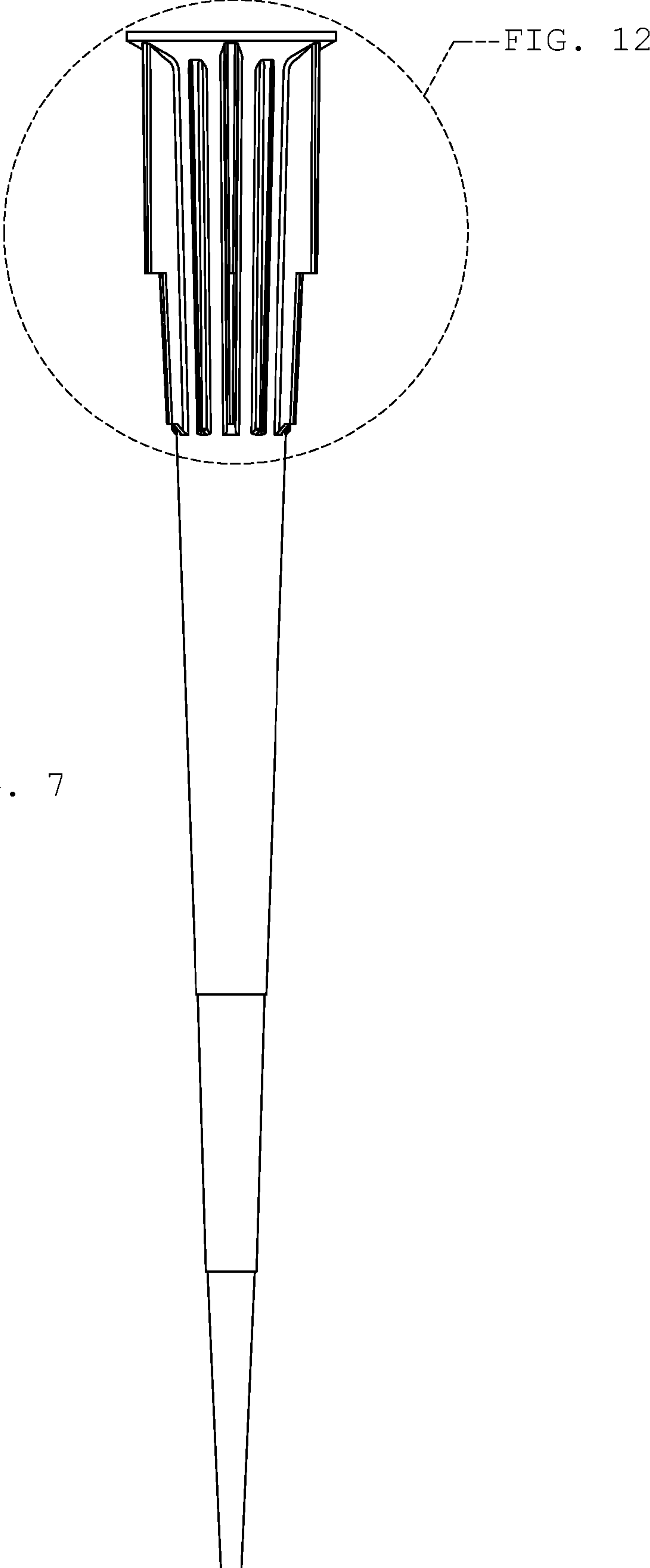
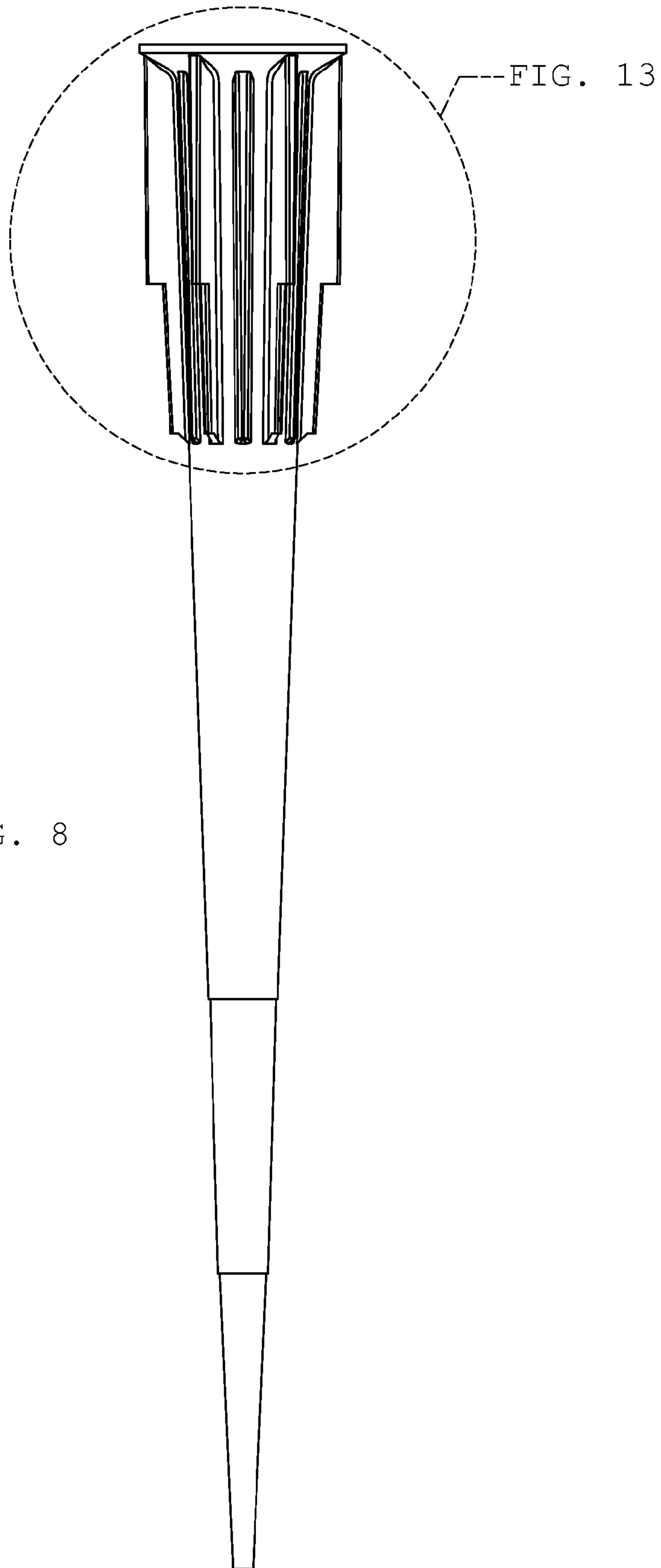


FIG. 11

FIG. 6





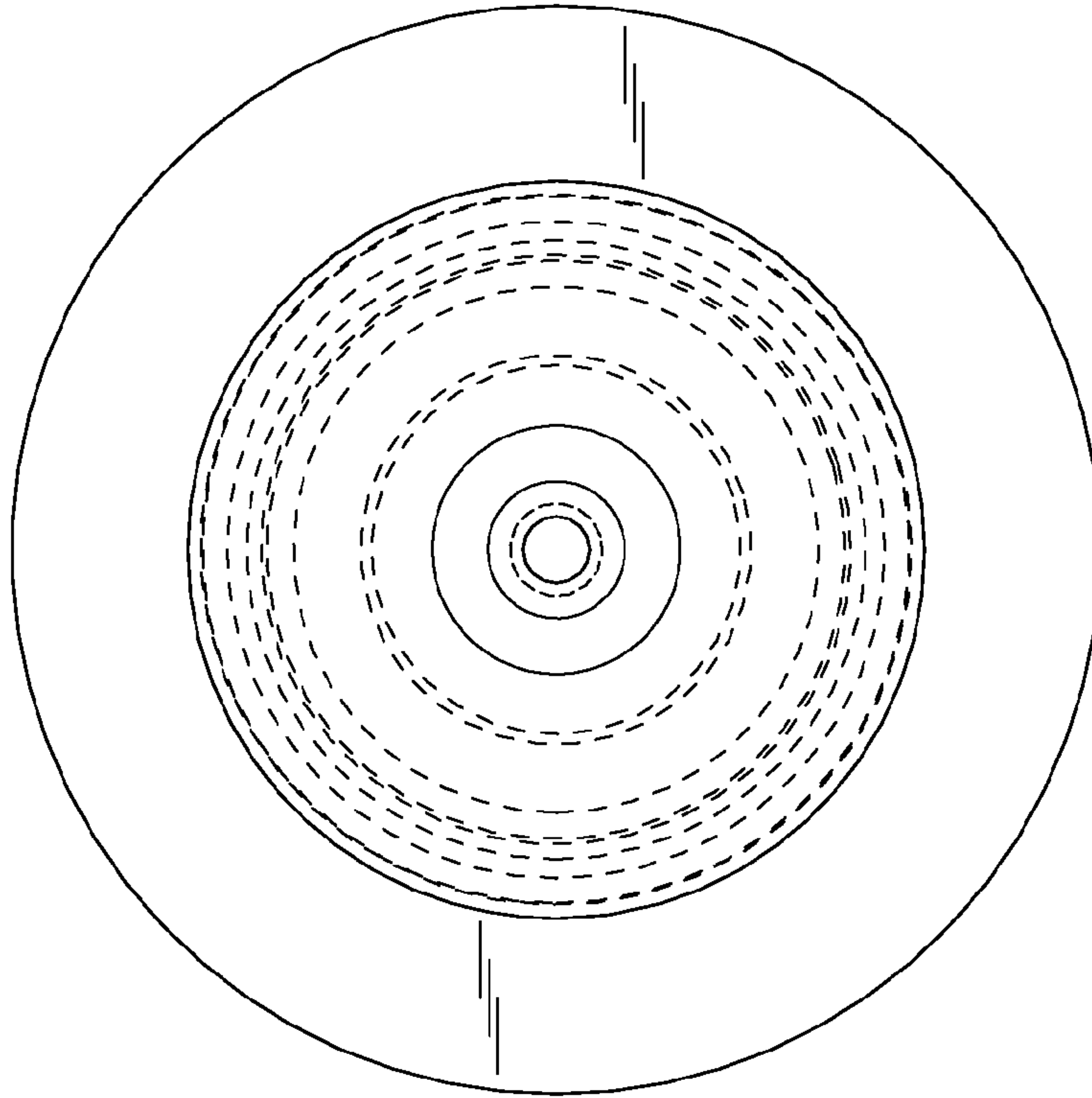


FIG. 9

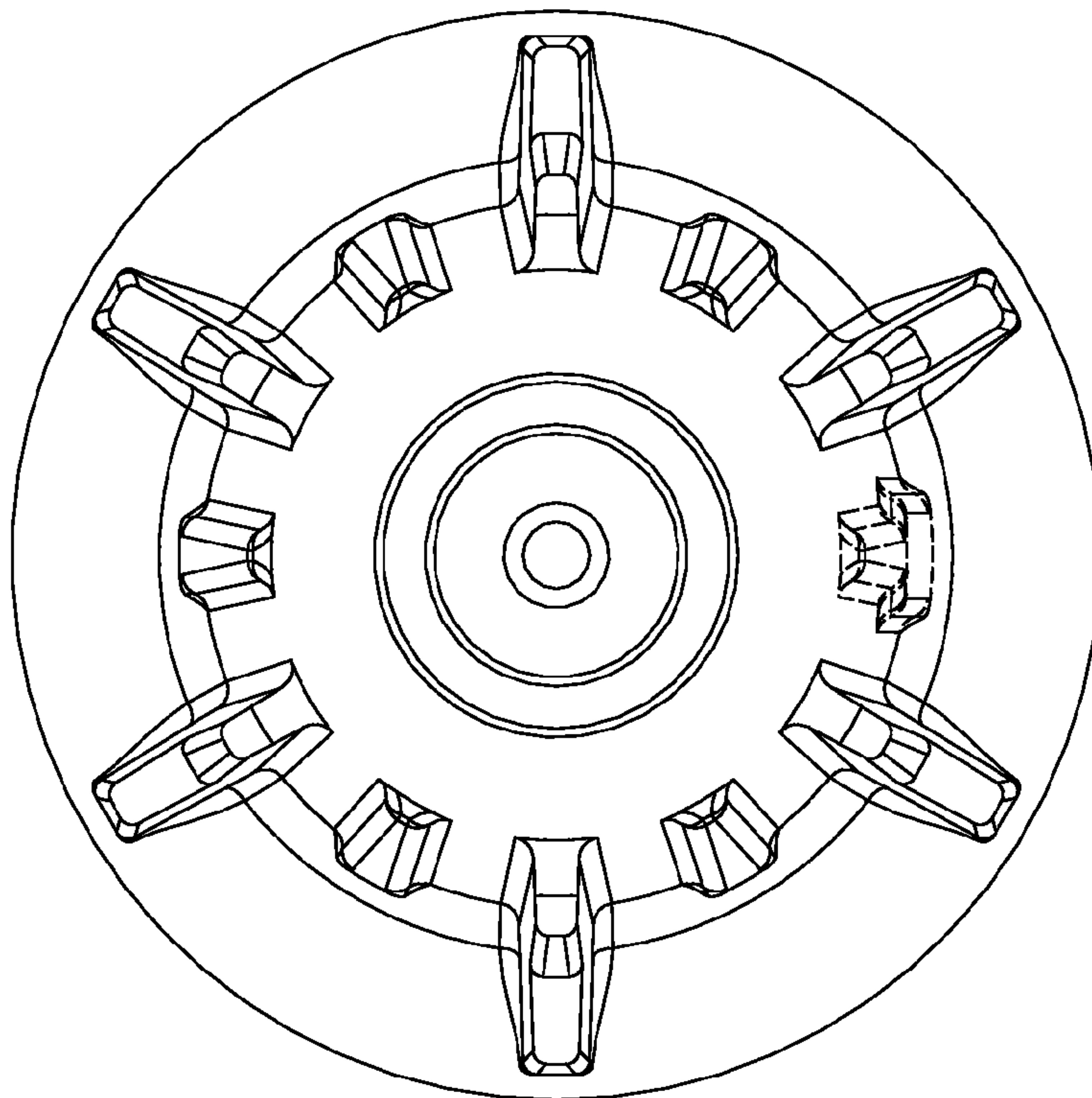


FIG. 10

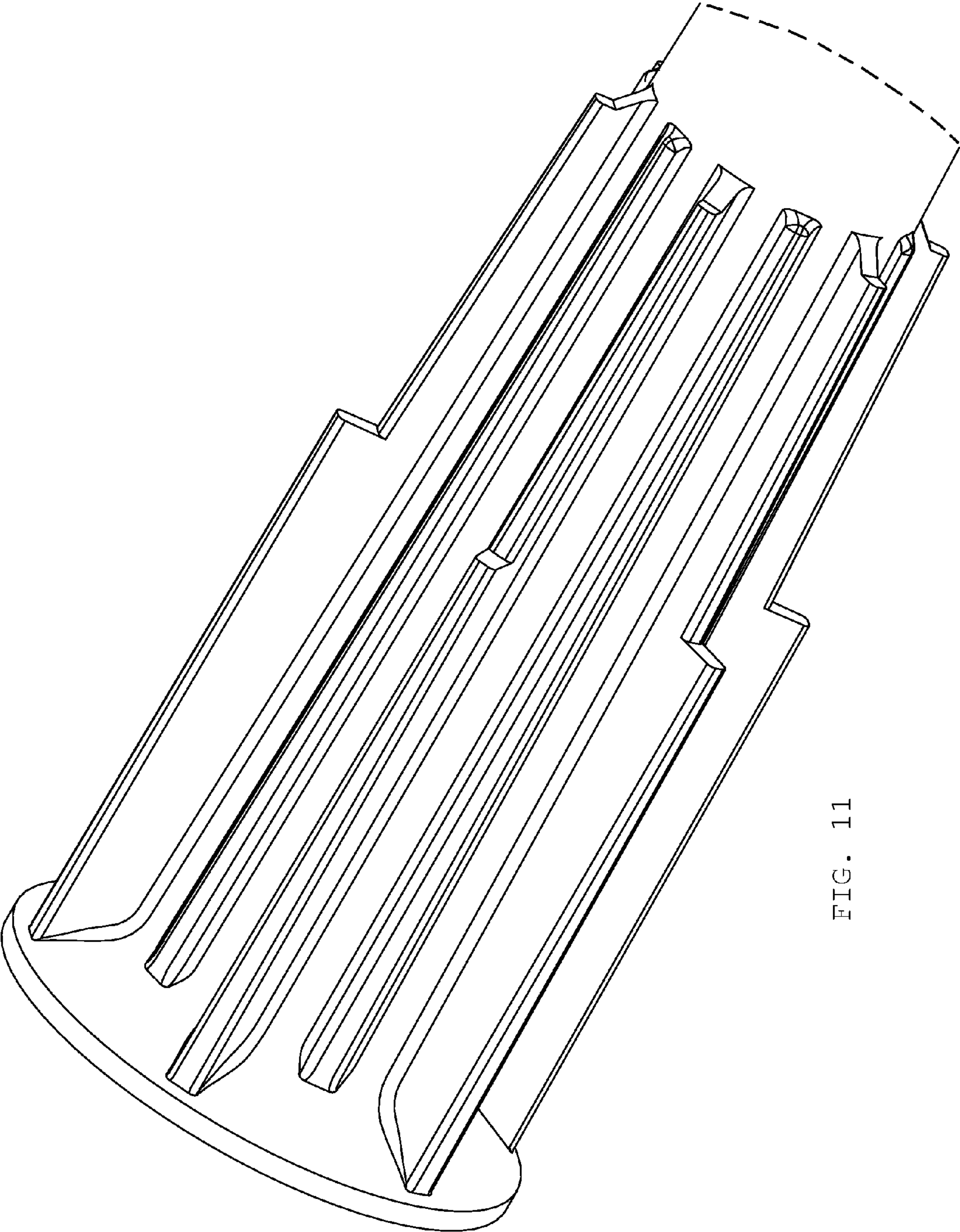


FIG. 11

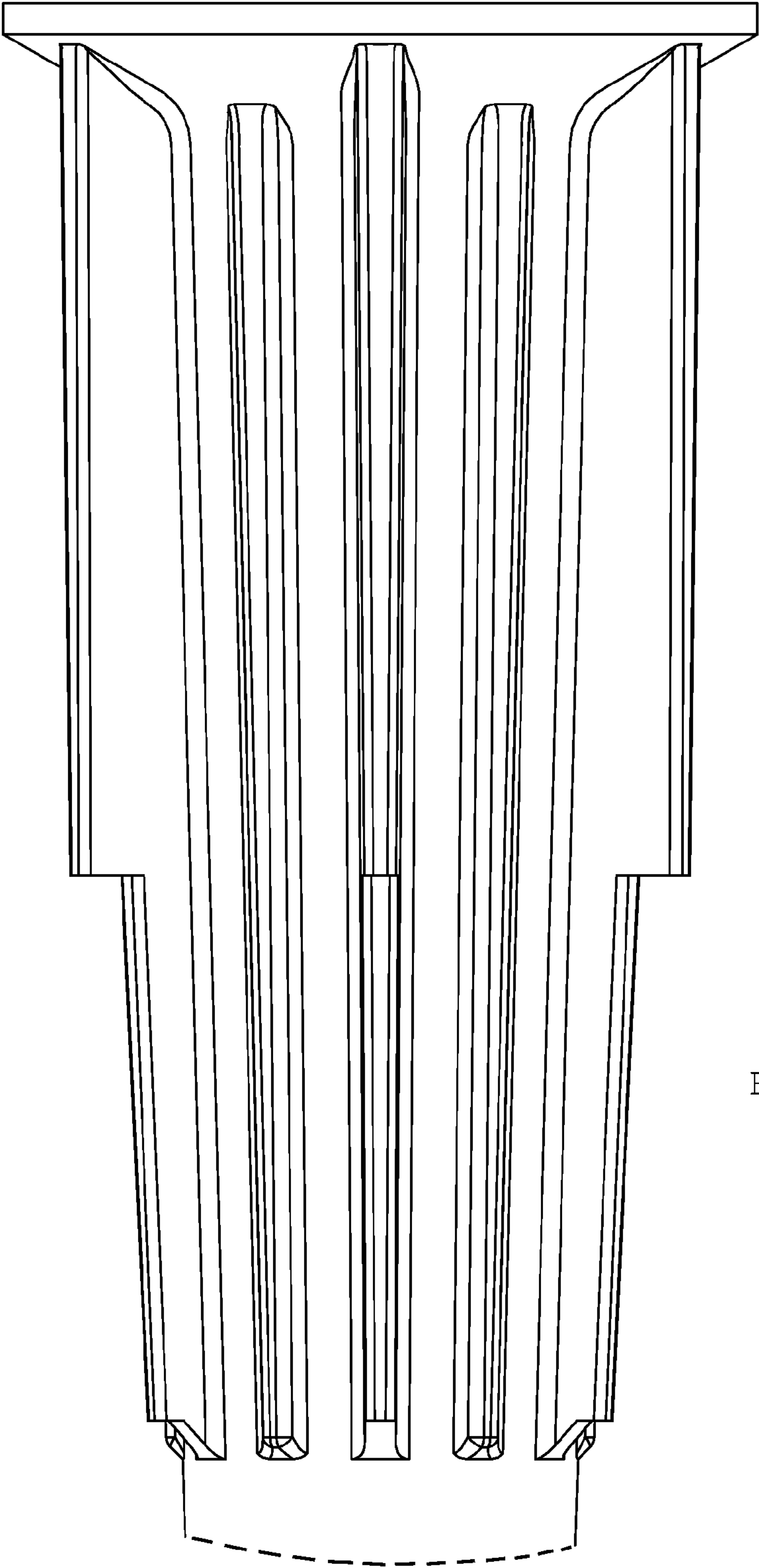


FIG. 12

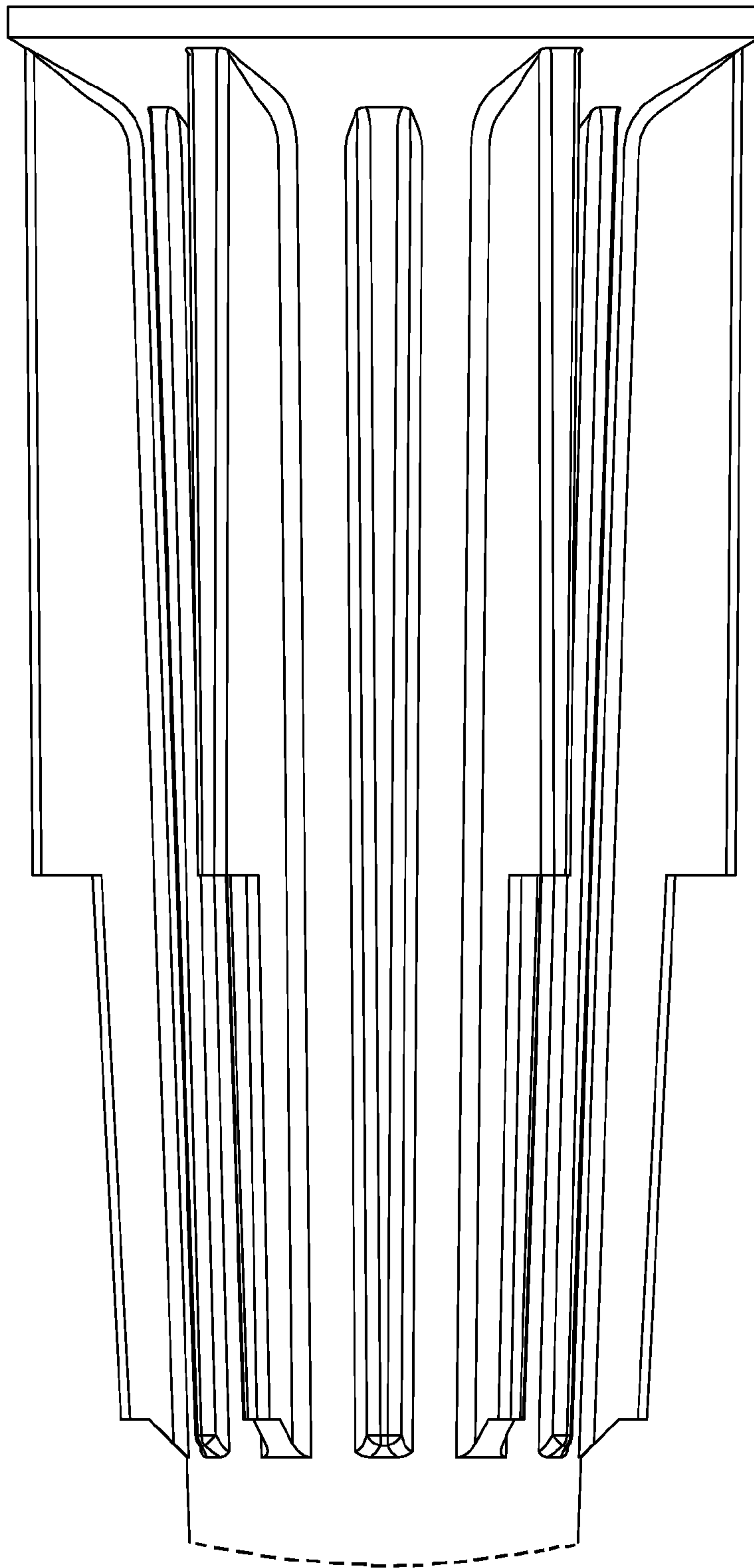


FIG. 13