

US00D663041S

(12) **United States Design Patent**
Henssler et al.

(10) **Patent No.:** **US D663,041 S**
(45) **Date of Patent:** **** Jul. 3, 2012**

(54) **CENTRIFUGE**

(75) Inventors: **Heinrich Henssler**, Schwabisch Gmund (DE); **Martin Schultheiss**, Schwabisch Gmund (DE)

(73) Assignee: **Thermo Electron LED GmbH**, Langenselbold (DE)

(**) Term: **14 Years**

(21) Appl. No.: **29/408,014**

(22) Filed: **Dec. 6, 2011**

Related U.S. Application Data

(62) Division of application No. 29/360,889, filed on May 3, 2010.

(51) **LOC (9) Cl.** **24-01**

(52) **U.S. Cl.** **D24/219**

(58) **Field of Classification Search** D24/216-224, D24/231, 232, 186; D10/81; 422/72; 494/9, 494/11, 12, 20, 84

See application file for complete search history.

(56) **References Cited**

U.S. PATENT DOCUMENTS

3,970,245 A 7/1976 Aeschlimann
D297,569 S * 9/1988 Eberle D24/219
D303,570 S * 9/1989 Eberle D24/219
D324,107 S * 2/1992 Koreeda et al. D24/219

D335,930 S * 5/1993 Tominaga D24/219
5,490,830 A 2/1996 Lovelady et al.
D367,867 S * 3/1996 Suzuki et al. D15/147
5,855,545 A 1/1999 Kishi et al.
D413,676 S * 9/1999 Lippoldt D24/219
D413,987 S 9/1999 Eberle
D415,840 S * 10/1999 Lamond et al. D24/219
D432,243 S * 10/2000 Suzuki et al. D24/219
D437,418 S 2/2001 Suzuki et al.
D525,890 S 8/2006 Inagaki
D527,462 S 8/2006 Raimann
7,314,442 B2 1/2008 Shimizu et al.
D617,909 S 6/2010 Taniguchi et al.

* cited by examiner

Primary Examiner — Anhdao Doan

(74) *Attorney, Agent, or Firm* — Wood, Herron & Evans, LLP

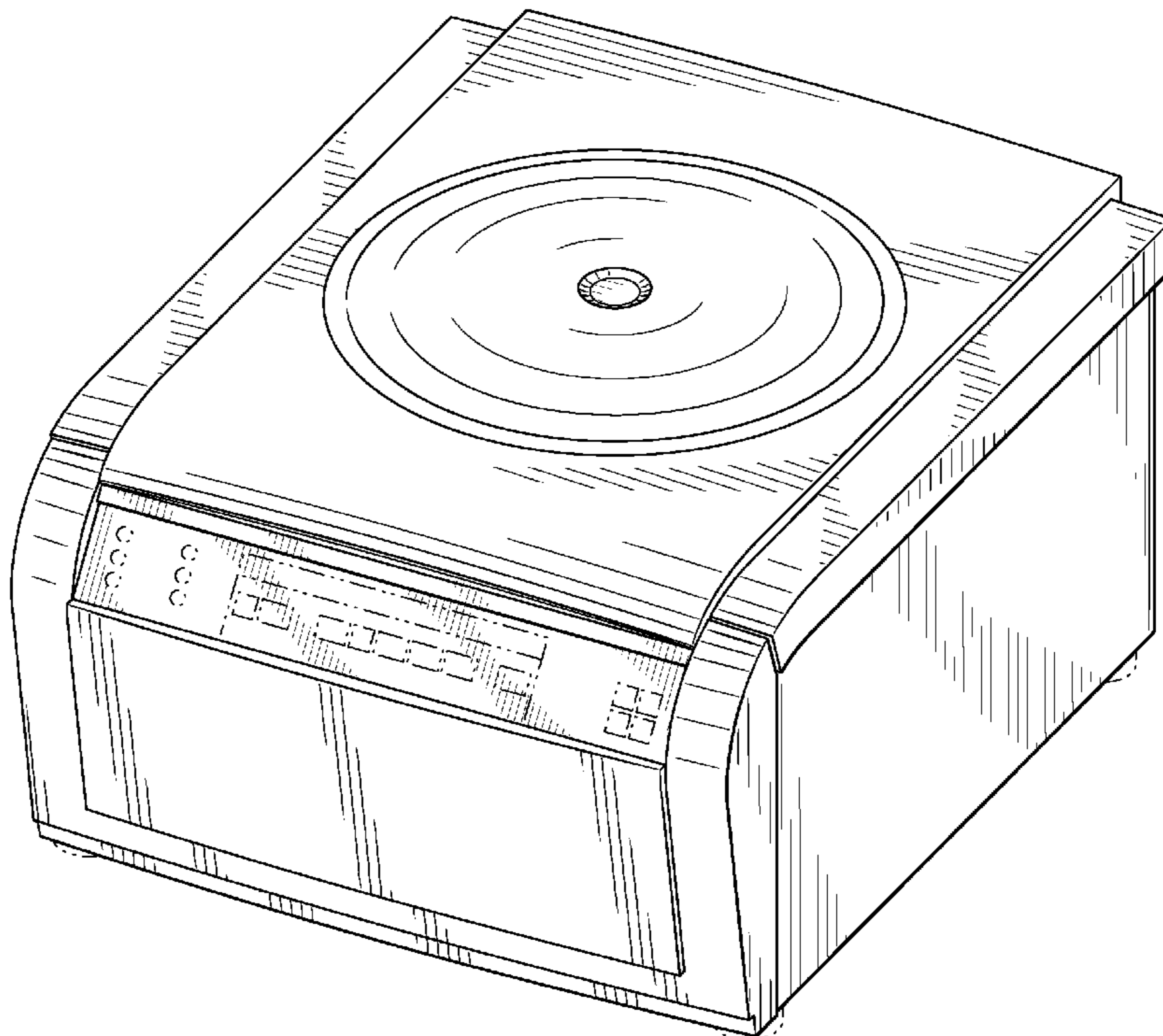
(57) **CLAIM**

The ornamental design for a centrifuge, as shown and described.

DESCRIPTION

FIG. 1 is an isometric view of our new centrifuge design; FIG. 2 is a front view of the centrifuge shown in FIG. 1; FIG. 3 is a right side view of the centrifuge shown in FIG. 1; FIG. 4 is a rear view of the centrifuge shown in FIG. 1; FIG. 5 is a left side view of the centrifuge shown in FIG. 1; FIG. 6 is a top view of the centrifuge shown in FIG. 1; and FIG. 7 is a bottom view of the centrifuge shown in FIG. 1. The broken lines in the drawing views represent environments and form no part of the claimed design.

1 Claim, 5 Drawing Sheets



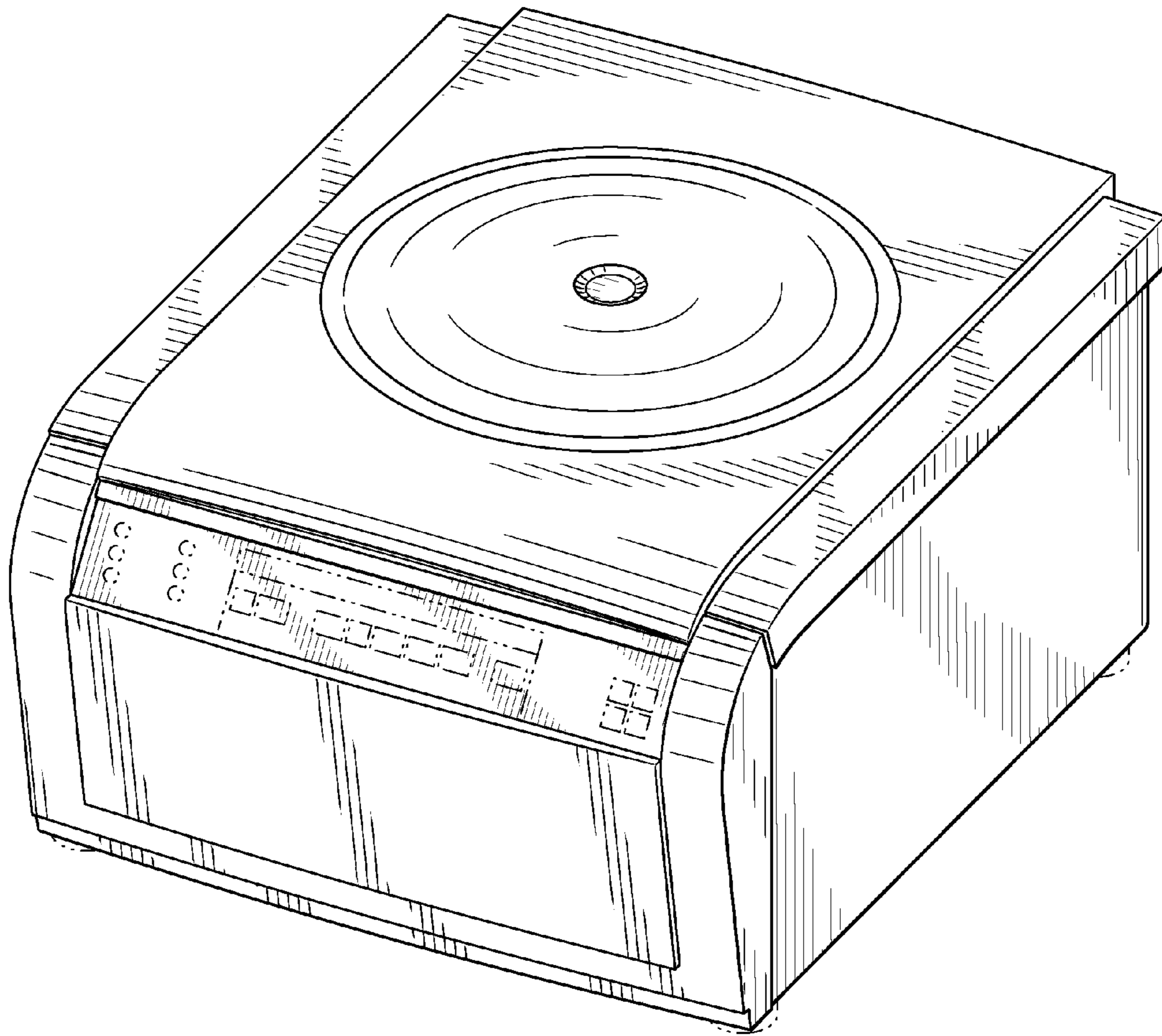


FIG. 1

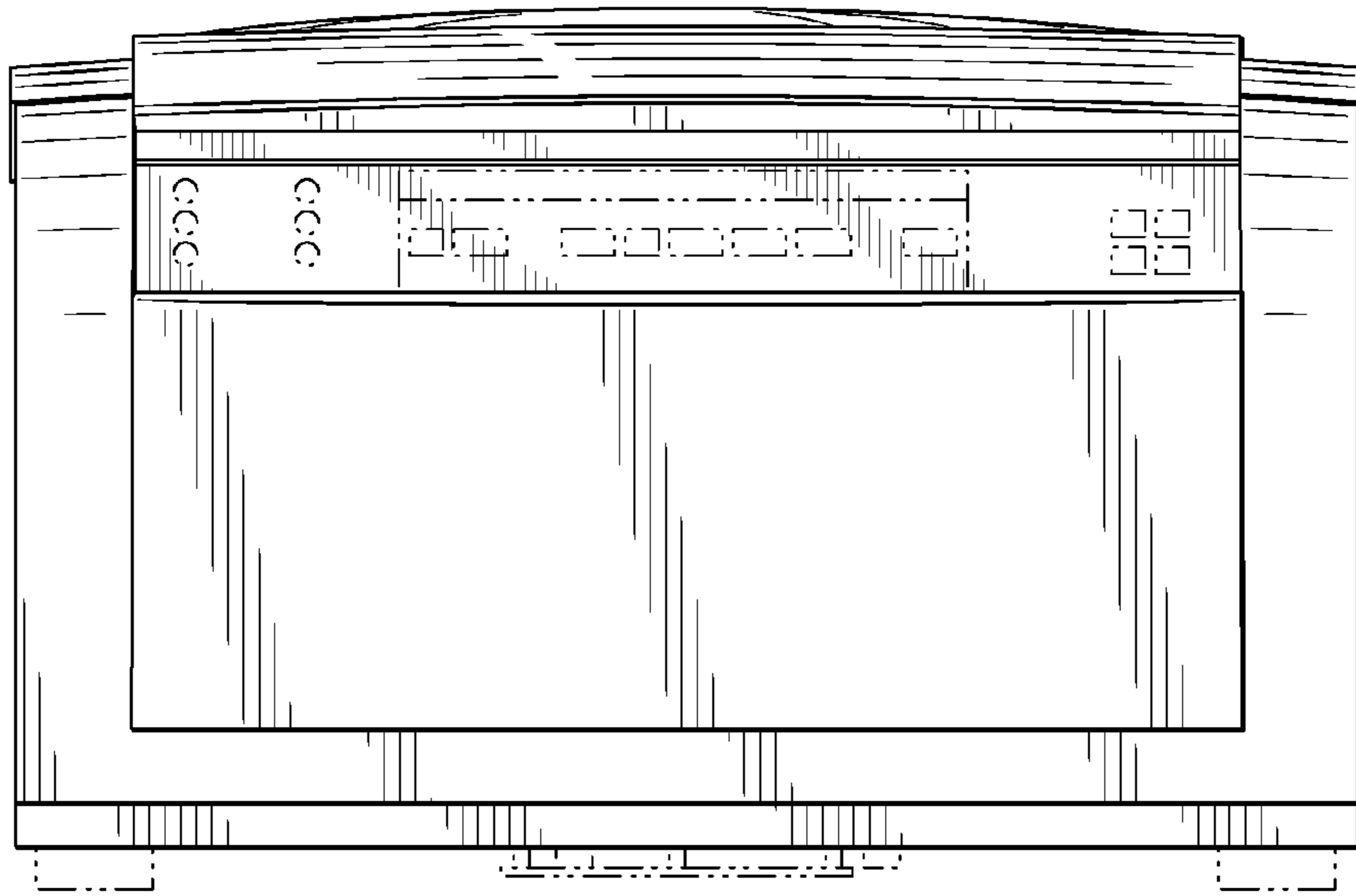


FIG. 2

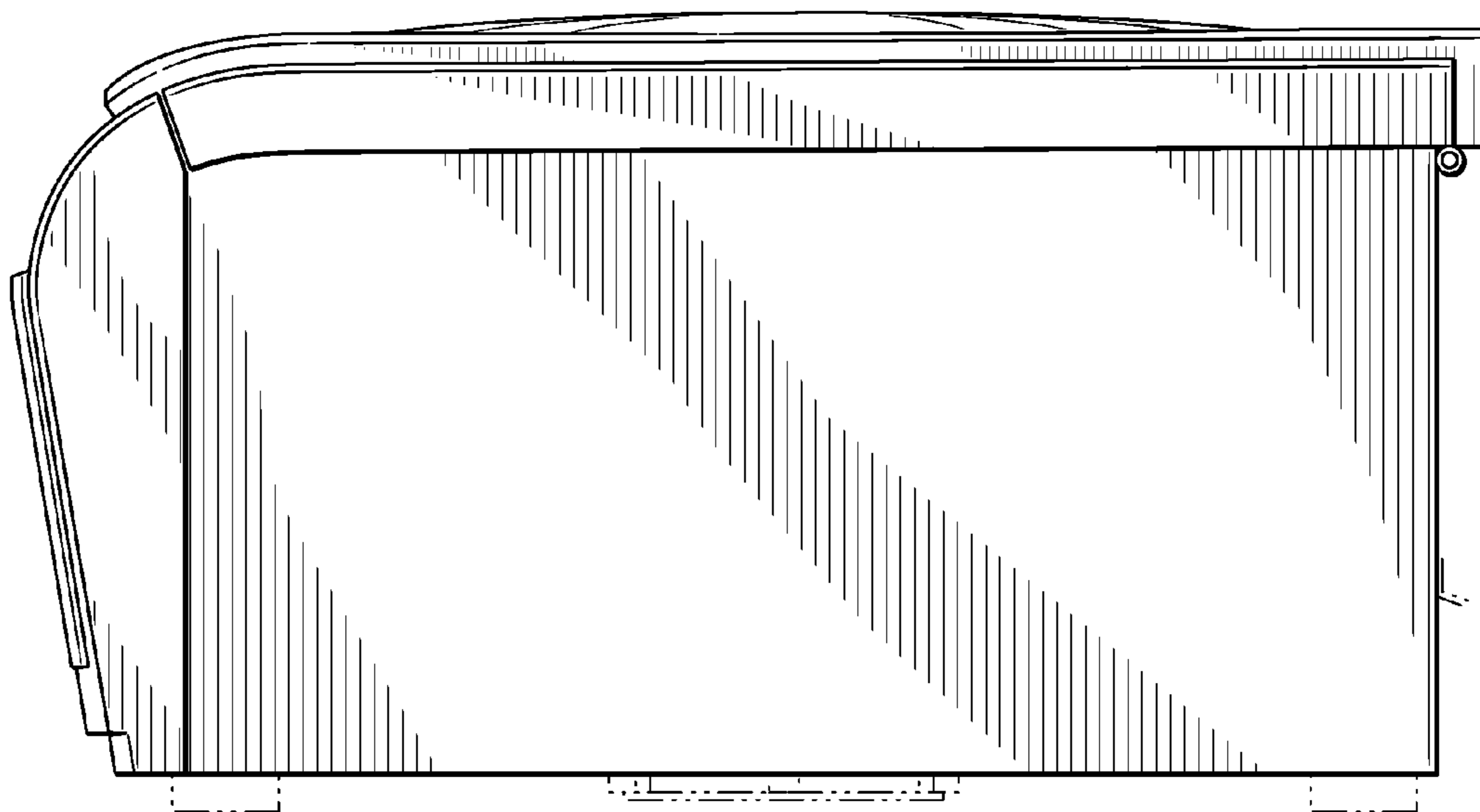


FIG. 3

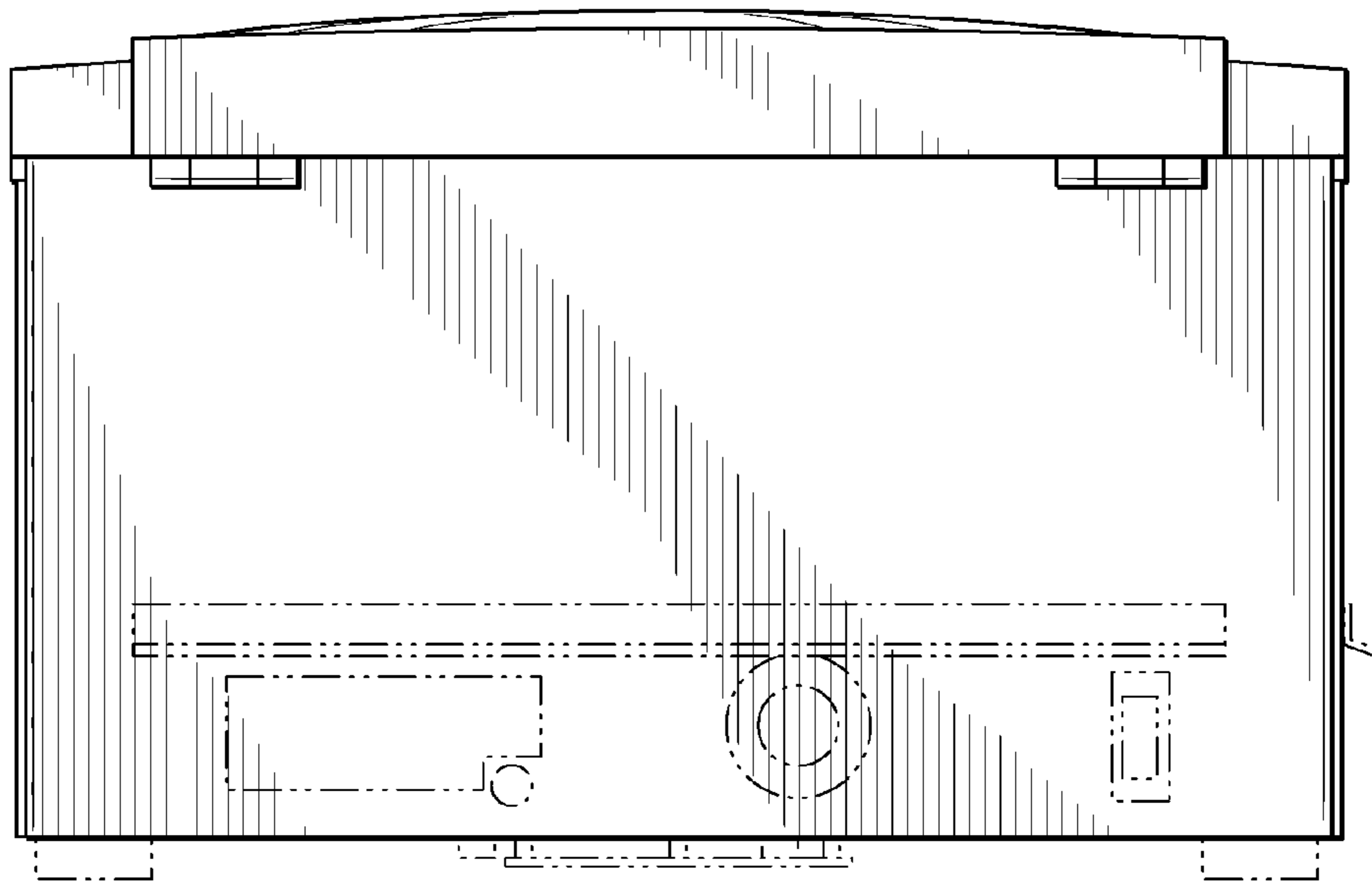


FIG. 4

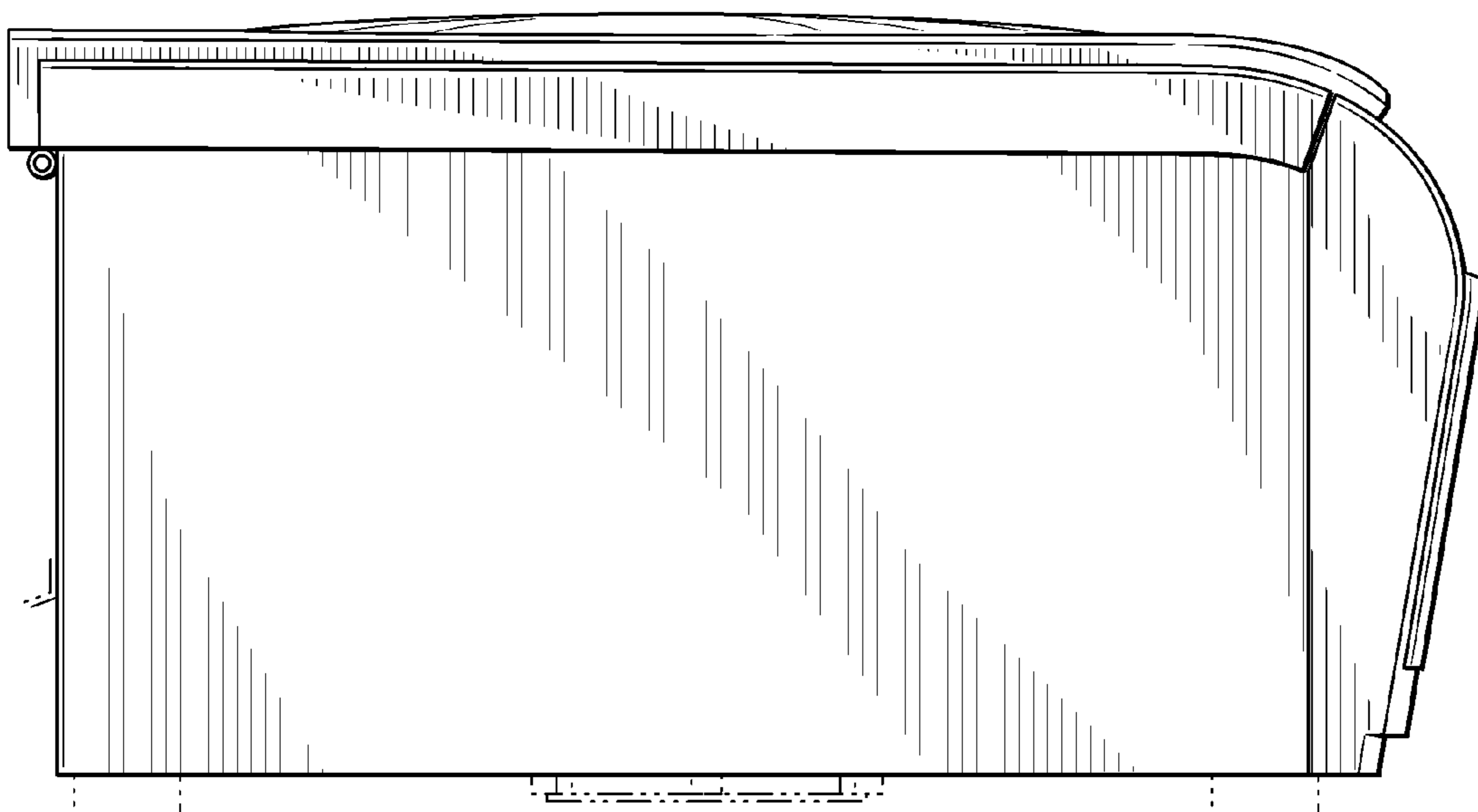


FIG. 5

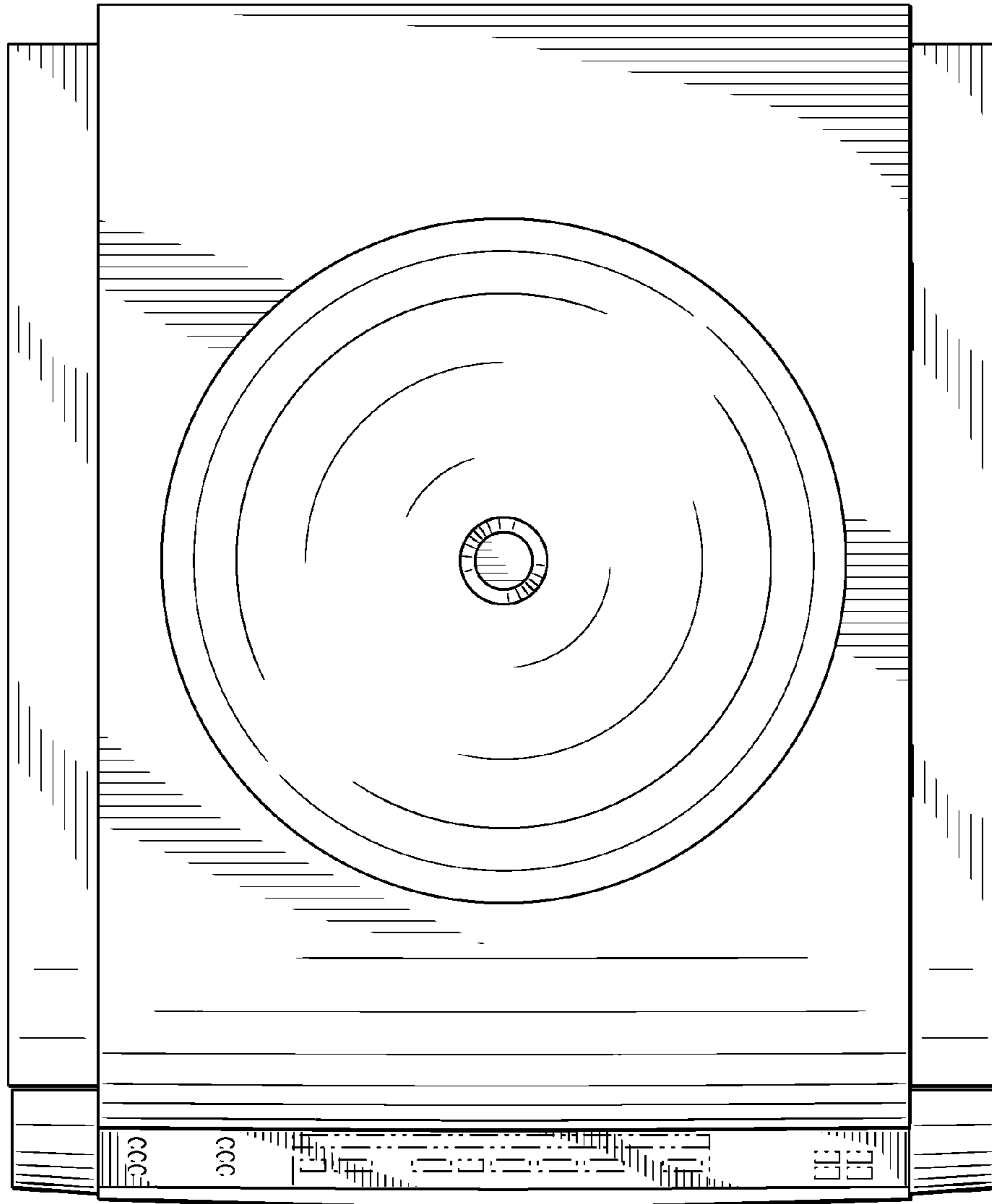


FIG. 6

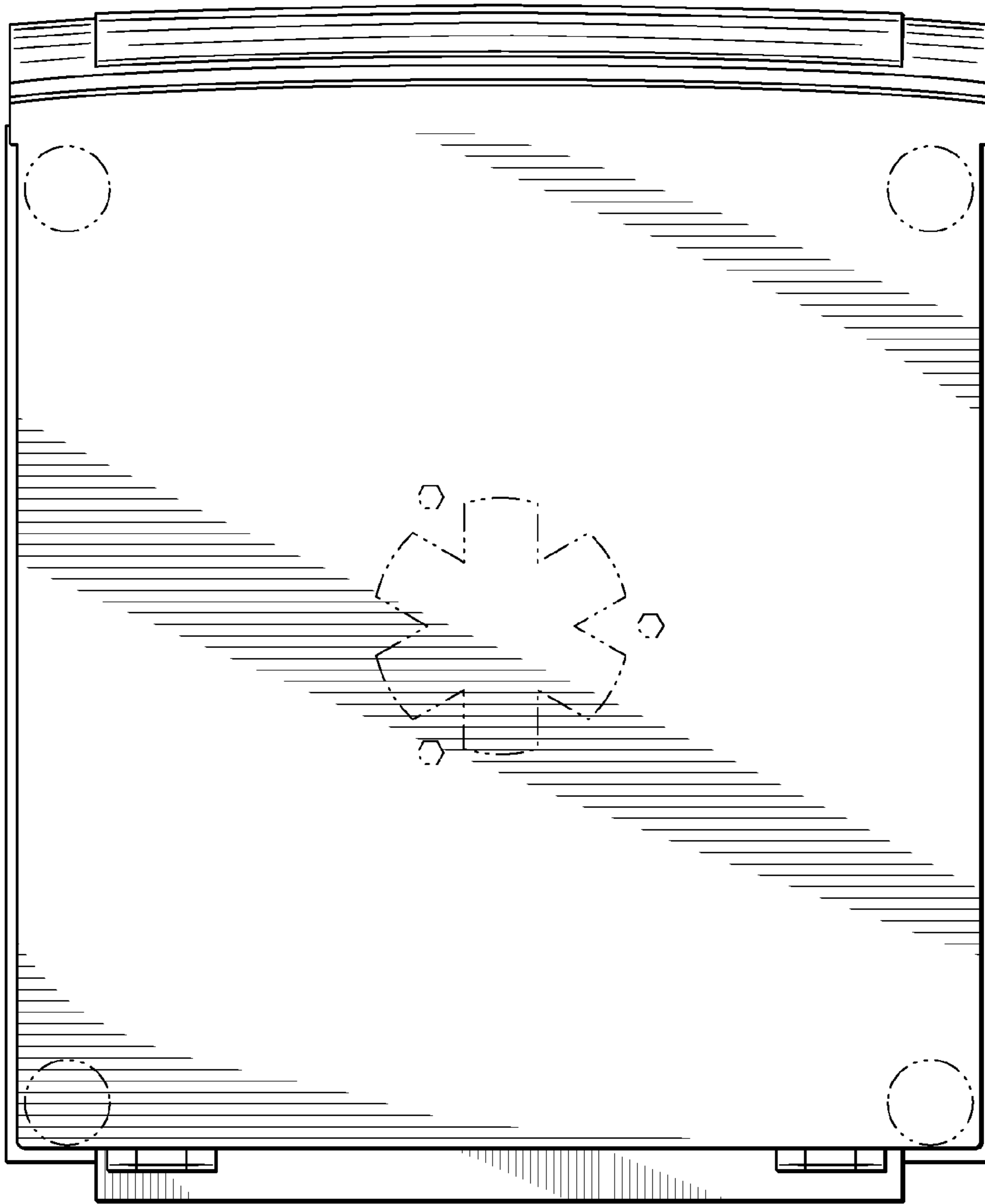


FIG. 7