

US00D663039S

(12) **United States Design Patent**
Petrucelli

(10) **Patent No.:** **US D663,039 S**

(45) **Date of Patent:** **** Jul. 3, 2012**

(54) **PORTABLE PEDICURE BATH**

(75) Inventor: **Damiano Petrucelli**, Flushing, NY (US)

(73) Assignee: **P.S. Pibbs, Inc.**, Flushing, NY (US)

(**) Term: **14 Years**

(21) Appl. No.: **29/399,435**

(22) Filed: **Aug. 15, 2011**

(51) **LOC (9) Cl.** **24-04**

(52) **U.S. Cl.** **D24/204**

(58) **Field of Classification Search** D24/200–205,
D24/212, 213; D28/56, 61; D6/336, 495;
601/6, 15, 64, 157–158, 30–32; 607/44;
4/622, 574.1; D30/158; D23/278

See application file for complete search history.

(56) **References Cited**

U.S. PATENT DOCUMENTS

2,813,189	A	*	11/1957	Lawler	D24/205
D248,667	S	*	7/1978	Plugge	D24/204
D282,498	S	*	2/1986	Hasse	D30/158
D285,003	S	*	8/1986	Madl	D24/205
D304,235	S	*	10/1989	Chambers	D24/204
D317,371	S	*	6/1991	Haffner	D30/158
D339,631	S	*	9/1993	Benson-Gilchrist	D23/278
D346,466	S	*	4/1994	Punternold, Sr.	D30/158
D387,173	S	*	12/1997	Jeans	D24/213
D495,448	S	*	8/2004	Moforis	D28/61

D506,830	S	*	6/2005	Zimmermann	D24/204
D529,183	S	*	9/2006	Cafaro	D24/213
D603,522	S	*	11/2009	Elliott	D24/204

* cited by examiner

Primary Examiner — David Muller

(74) *Attorney, Agent, or Firm* — Gerald E. Hespos; Michael J. Porco

(57) **CLAIM**

The ornamental design of a portable pedicure bath, as shown and described.

DESCRIPTION

FIG. 1 is a perspective view of a portable pedicure bath in accordance with my design. The separated tub, shown in broken lines, forms no part of the claimed design;

FIG. 2 is a perspective view of the portable pedicure bath of FIG. 1;

FIG. 3 is a top plan view thereof;

FIG. 4 is a front elevational view thereof;

FIG. 5 is a side elevational view thereof as viewed from the left side of FIG. 1;

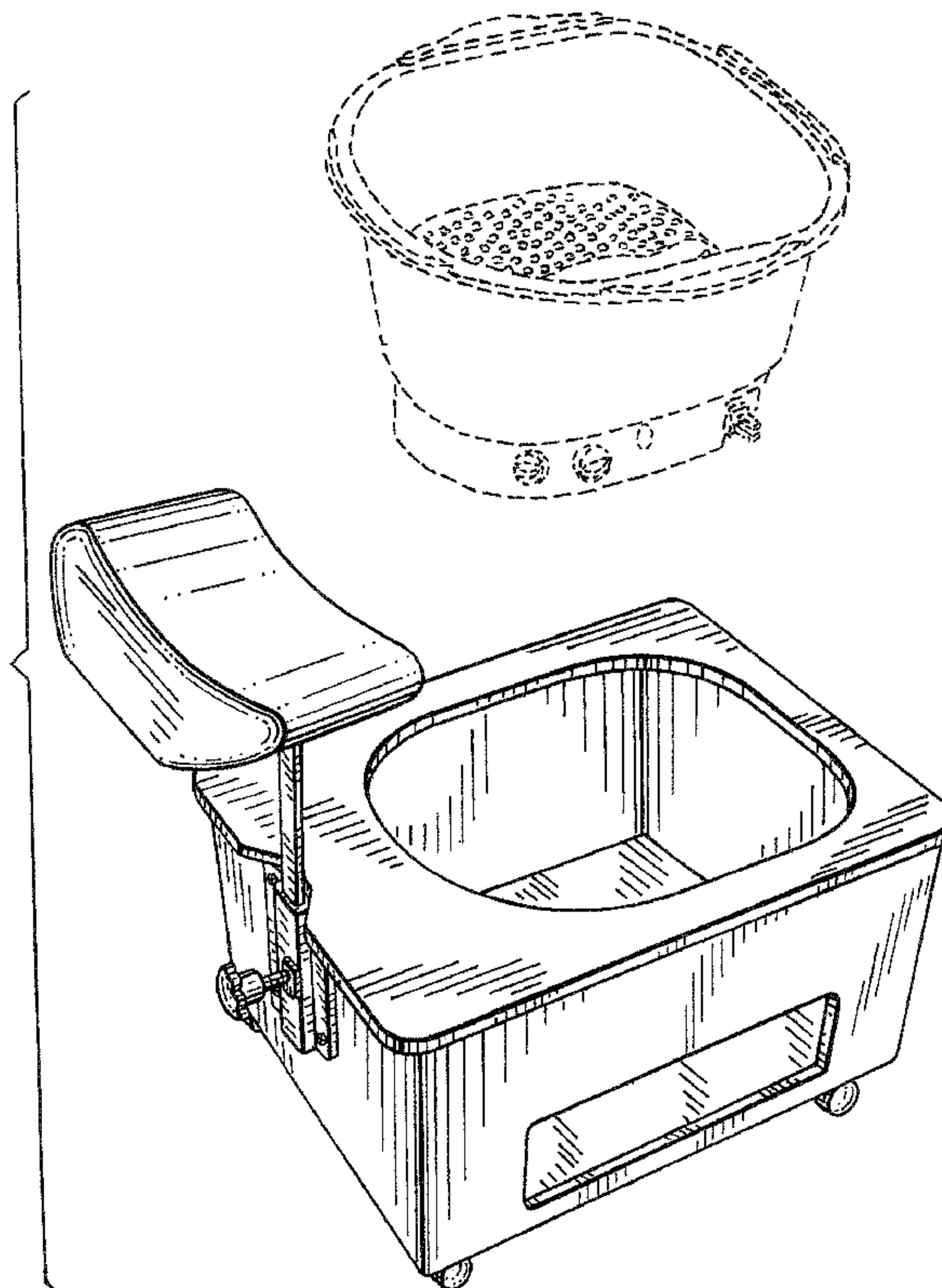
FIG. 6 is a side elevational view thereof as viewed from the right side of FIG. 1;

FIG. 7 is a rear elevational view thereof; and,

FIG. 8 is a bottom plan view thereof.

The broken lines represent portions of the structure that form no part of the claimed design. The bracket in FIG. 1 is included to show order of assembly.

1 Claim, 8 Drawing Sheets



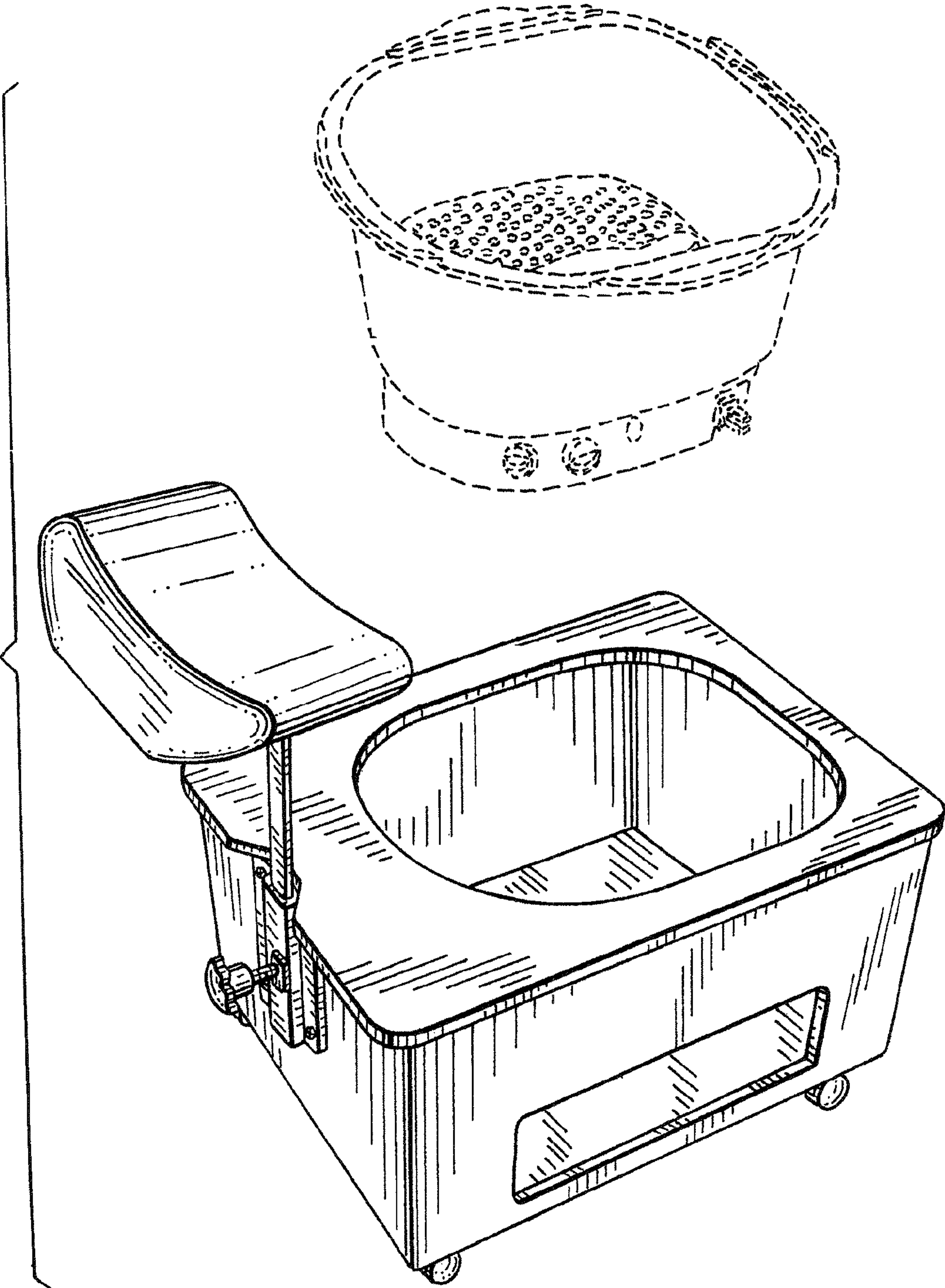


FIG. 1

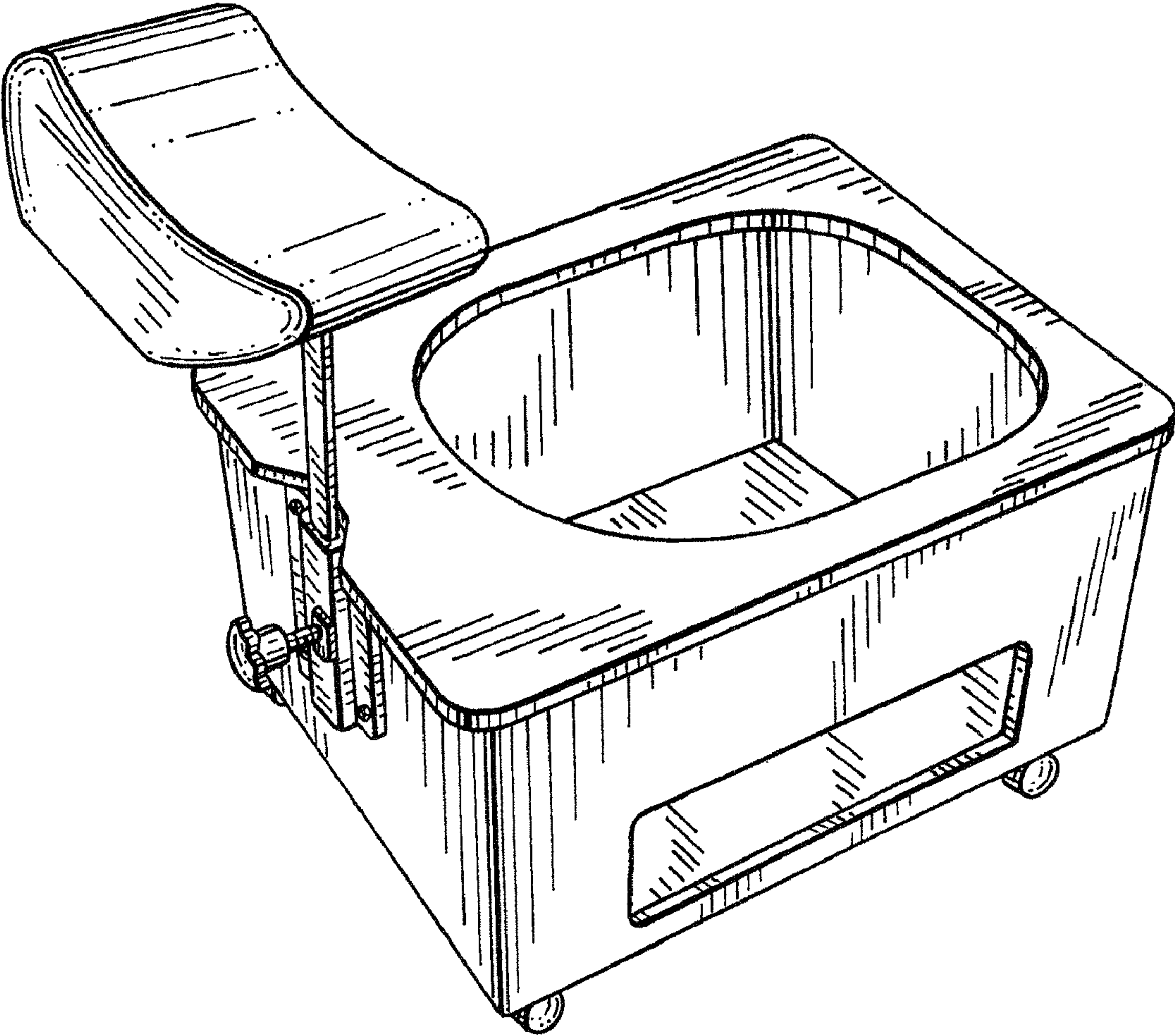


FIG.2

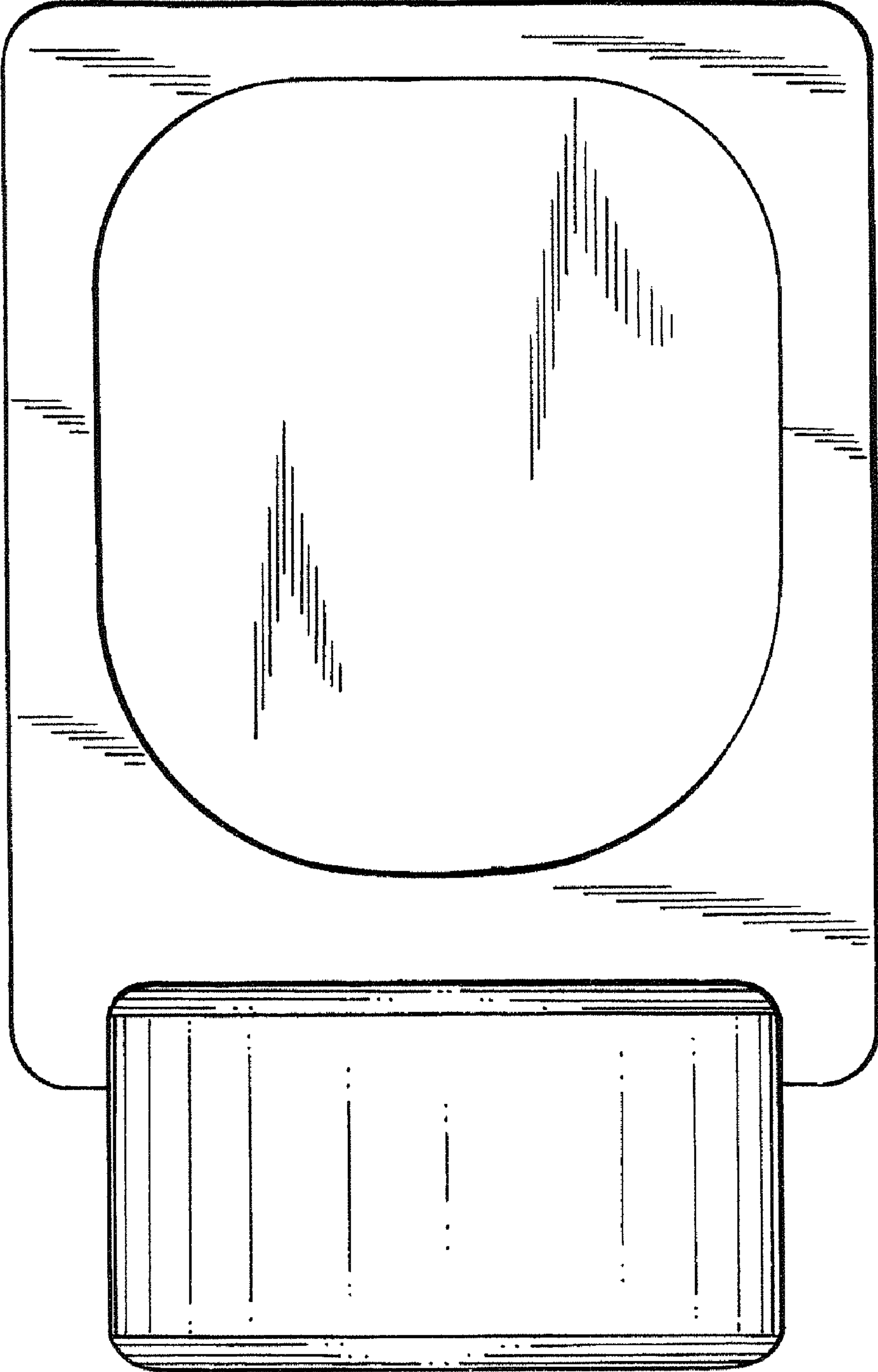


FIG. 3

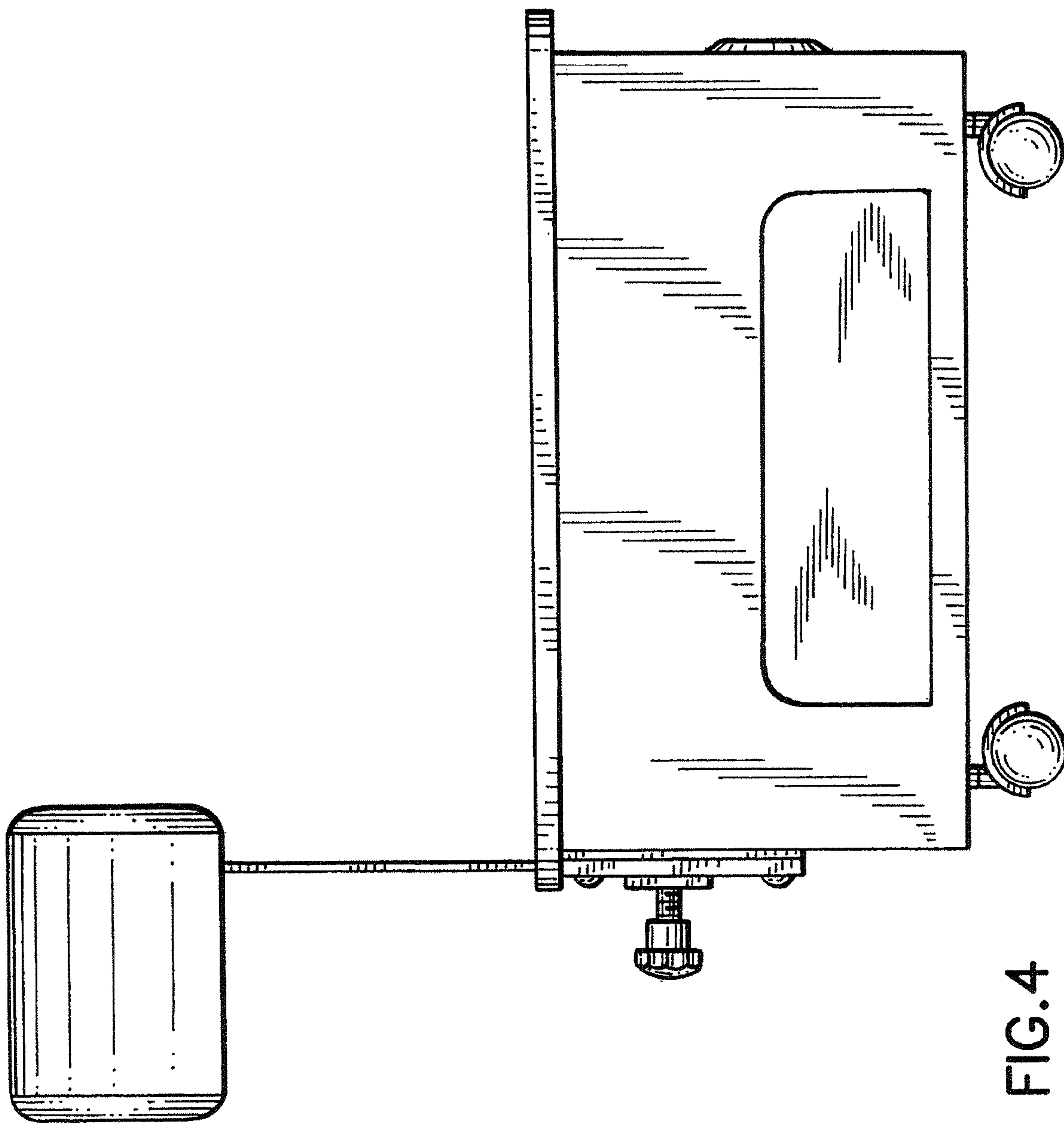


FIG.4

FIG.5

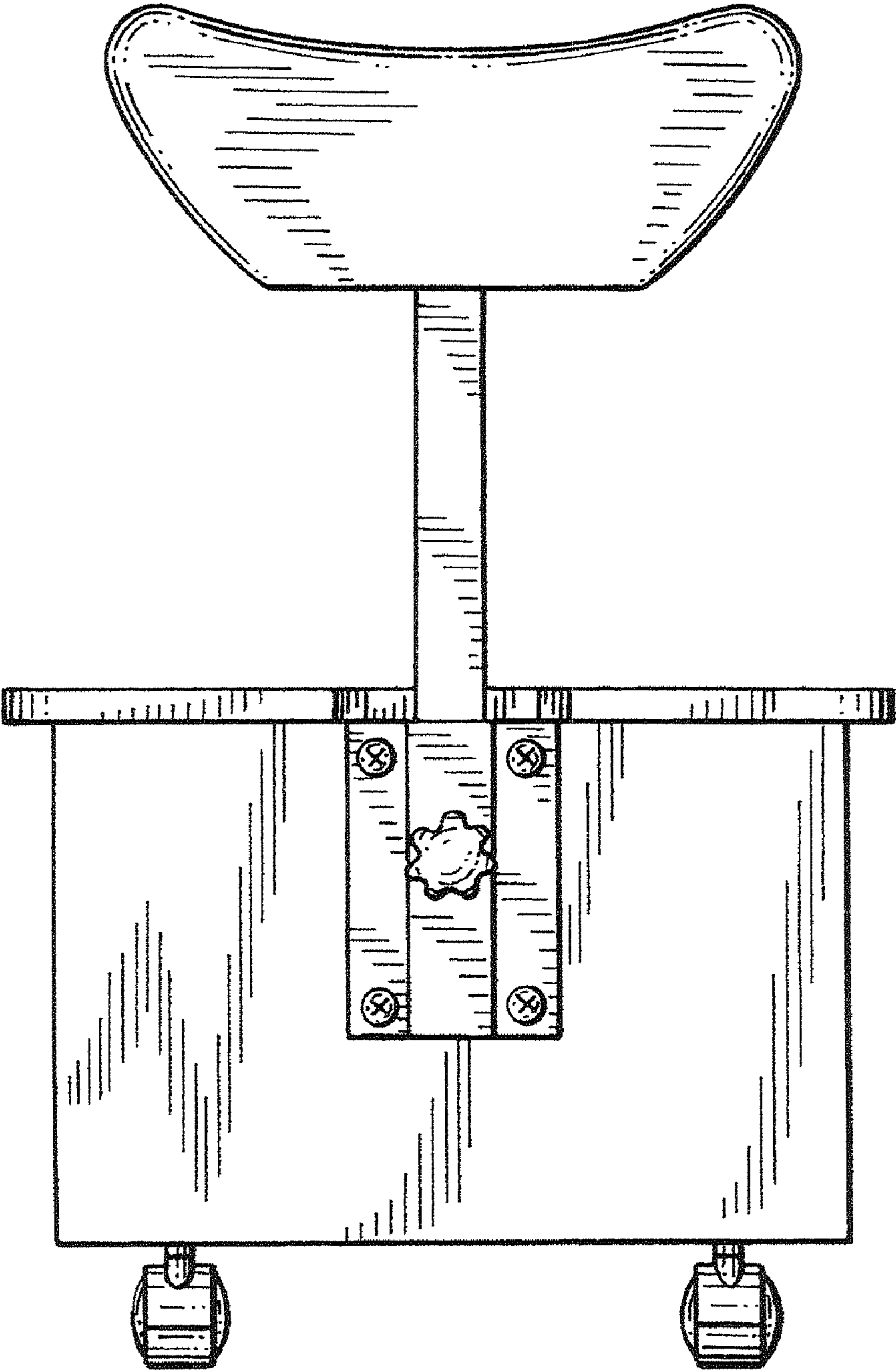
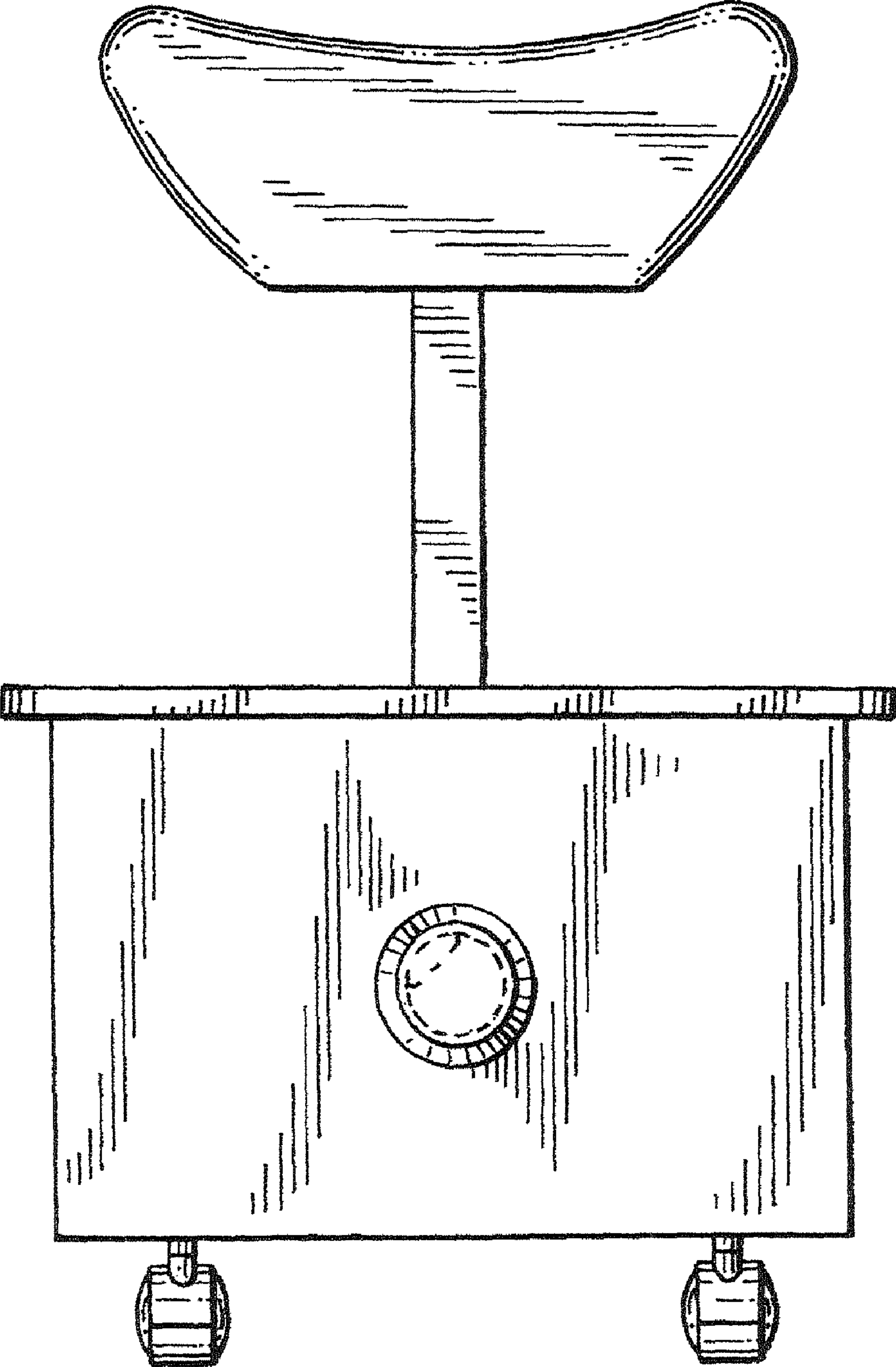


FIG. 6



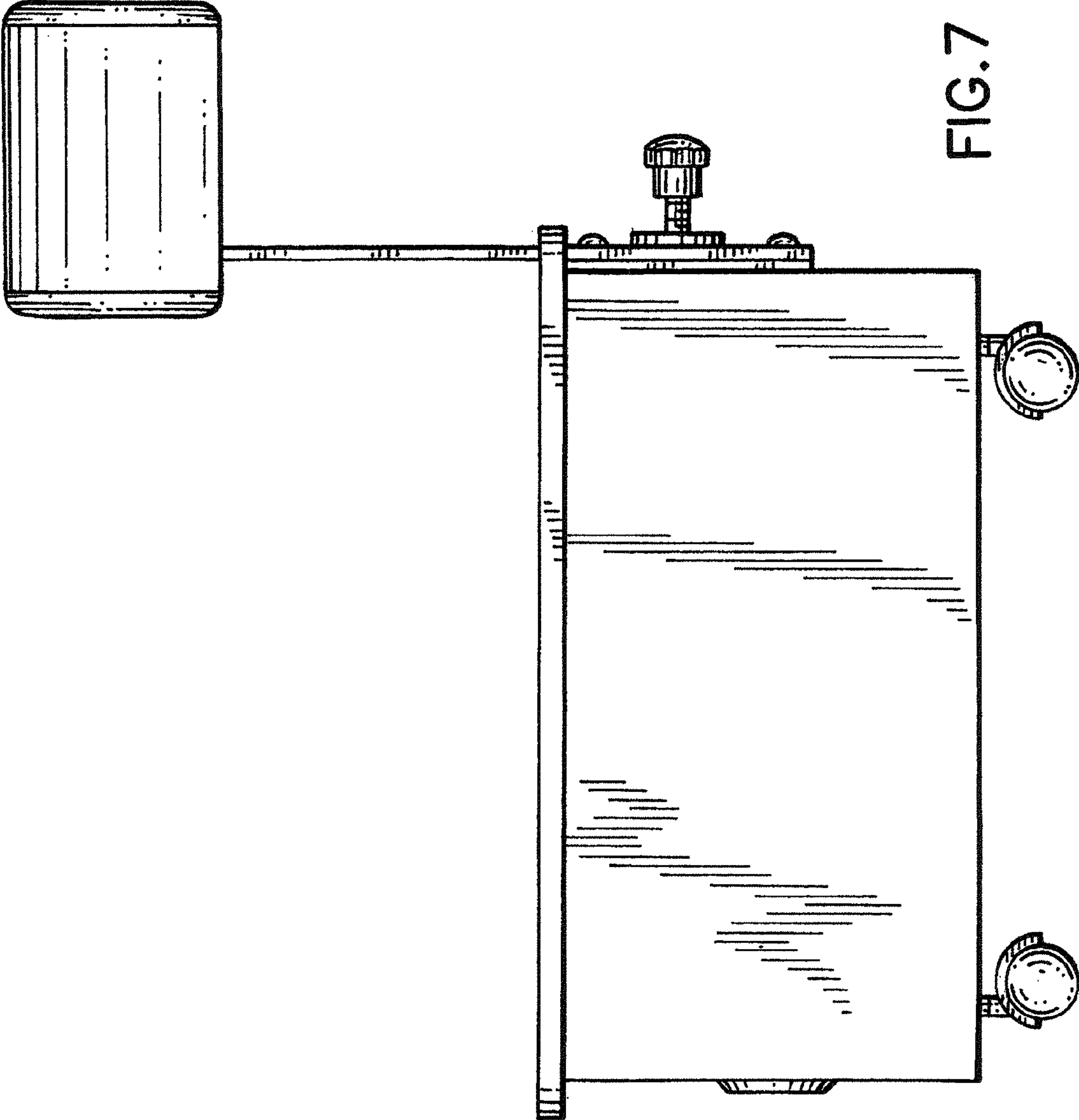


FIG. 7

FIG. 8

