



US00D663034S

(12) **United States Design Patent**
Nathanson

(10) **Patent No.:** **US D663,034 S**
(45) **Date of Patent:** **** Jul. 3, 2012**

(54) **HOUSING FOR ELECTRONIC EQUIPMENT**

(75) Inventor: **Dean Nathanson**, Middlesex (GB)

(73) Assignee: **Micromode Medical Limited** (GB)

(*) Notice: This patent is subject to a terminal disclaimer.

(**) Term: **14 Years**

(21) Appl. No.: **29/358,364**

(22) Filed: **Mar. 26, 2010**

(30) **Foreign Application Priority Data**

Oct. 2, 2009 (EM) 1618943-001
Oct. 2, 2009 (EM) 1618943-002

(51) **LOC (9) Cl.** **24-01**

(52) **U.S. Cl.** **D24/185; D14/307**

(58) **Field of Classification Search** D14/302-307,
D14/129, 900-902; D13/163; D18/4.1-4.6;
D21/329, 332, 325, 369, 370; D99/28; 361/679.1,
361/679.02, 679.04, 679.21, 679.57, 724;
194/206; 235/379; 271/164; 705/43; D6/396,
D6/697, 402; D20/10, 19; D24/200, 209,
D24/185, 186

See application file for complete search history.

(56) **References Cited**

U.S. PATENT DOCUMENTS

D369,923 S * 5/1996 Crane et al. D6/441
D375,726 S * 11/1996 Witte D14/305
D378,534 S * 3/1997 Kato et al. D20/10
D381,749 S * 7/1997 Lawrence et al. D24/169
D389,917 S * 1/1998 Hornback et al. D24/186
D406,894 S * 3/1999 Menhennett et al. D24/169
D411,622 S * 6/1999 Hall D24/170
D415,124 S * 10/1999 Rooyakkers et al. D14/306
D430,867 S * 9/2000 Smith et al. D14/308

(Continued)

Primary Examiner — Cathron Brooks

Assistant Examiner — Deanna Fluegeman

(74) *Attorney, Agent, or Firm* — Carter, DeLuca, Farrell & Schmidt, LLP

(57) **CLAIM**

The ornamental design for a housing for electronic equipment, as shown and described.

DESCRIPTION

FIG. 1 is a perspective view of a housing for electronic equipment in accordance with an embodiment of the present design, shown in an open condition;

FIG. 2 is a front elevational plan view of the housing for electronic equipment of FIG. 1;

FIG. 3 is a rear elevational view of the housing for electronic equipment of FIG. 1;

FIG. 4 is a right side elevational view of the housing for electronic equipment of FIG. 1;

FIG. 5 is a left side elevational view of the housing for electronic equipment of FIG. 1;

FIG. 6 is a top, plan view of the housing for electronic equipment of FIG. 1;

FIG. 7 is a bottom, plan view of the housing for electronic equipment of FIG. 1;

FIG. 8 is a perspective view of the housing for electronic equipment of FIGS. 1-7, shown in a closed condition;

FIG. 9 is a front elevational plan view of the housing for electronic equipment of FIG. 8;

FIG. 10 is a rear elevational view of the housing for electronic equipment of FIG. 8;

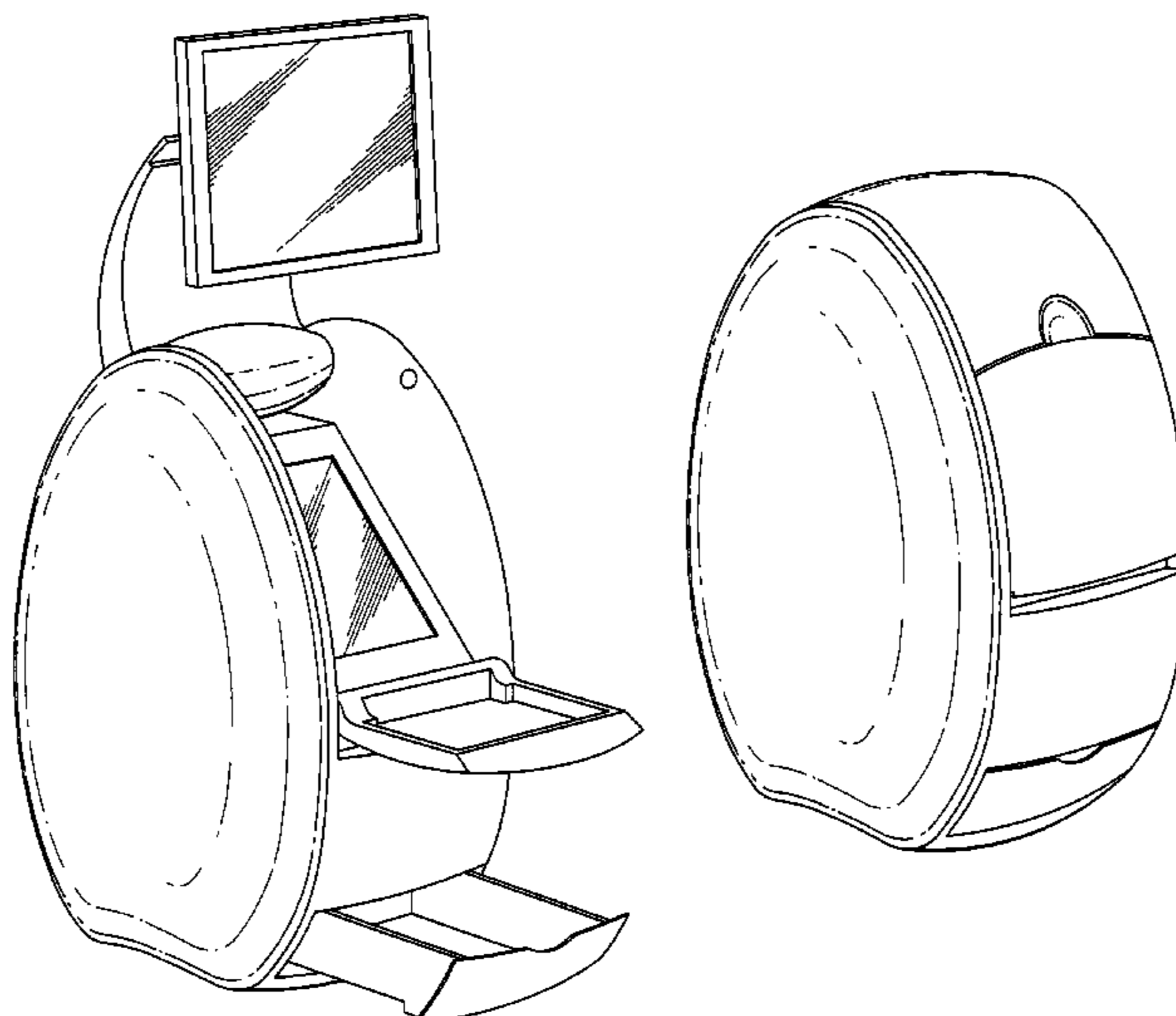
FIG. 11 is a right side elevational view of the housing for electronic equipment of FIG. 8;

FIG. 12 is a left side elevational view of the housing for electronic equipment of FIG. 8;

FIG. 13 is a top, plan view of the housing for electronic equipment of FIG. 8; and,

FIG. 14 is a bottom, plan view of the housing for electronic equipment of FIG. 8.

1 Claim, 14 Drawing Sheets



US D663,034 S

Page 2

U.S. PATENT DOCUMENTS

D489,816 S *	5/2004	Ross	D24/107	D561,342 S *	2/2008	Zimmer	D24/185
D493,452 S *	7/2004	Devane et al.	D14/307	D592,825 S *	5/2009	Kang et al.	D99/28
D511,007 S *	10/2005	Ghedin	D24/200	D603,909 S *	11/2009	De Viveiros Ortiz	D21/325
D512,508 S *	12/2005	Mesaros	D24/185	D603,972 S *	11/2009	Petersen et al.	D24/216
D525,665 S *	7/2006	Karlsson	D21/369	D610,260 S *	2/2010	Moscovita et al.	D24/167
D532,417 S *	11/2006	Becker et al.	D14/307	D630,752 S *	1/2011	Suzuki	D24/158

* cited by examiner

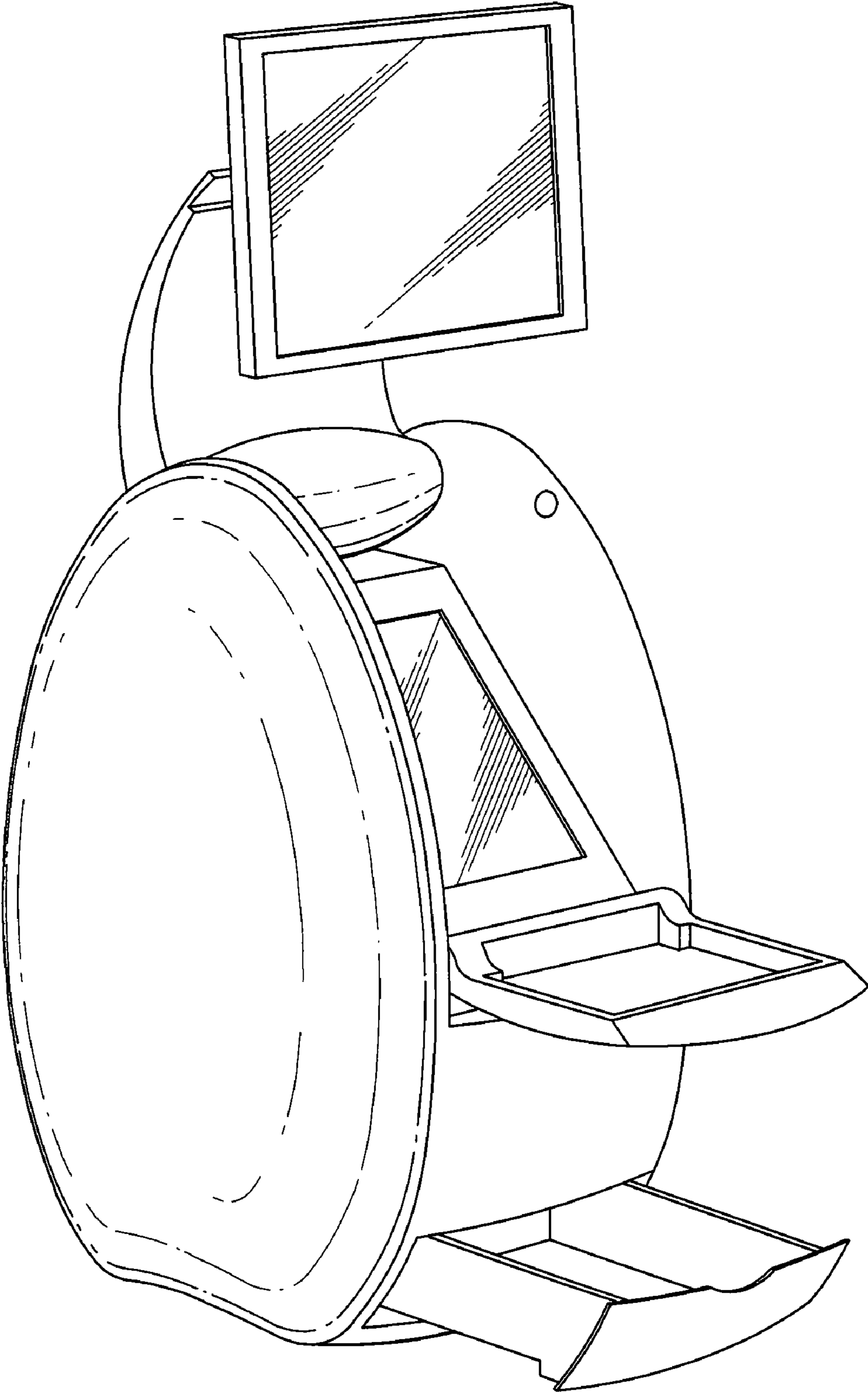


FIG. 1

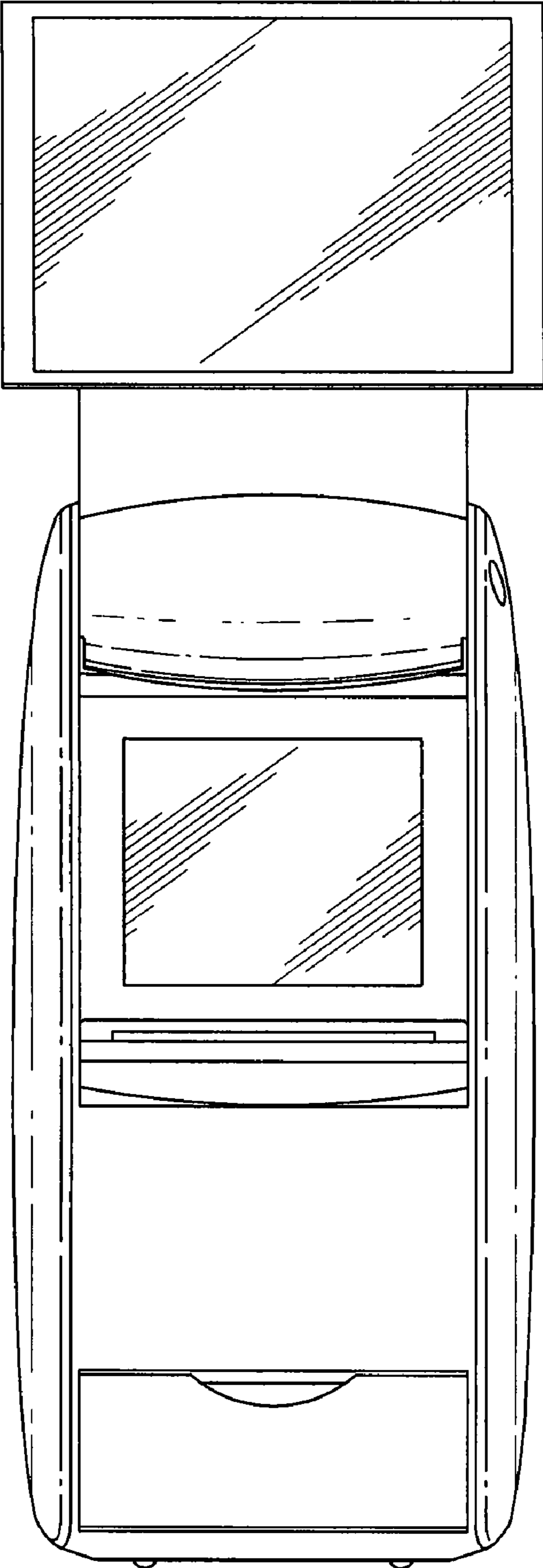


FIG. 2

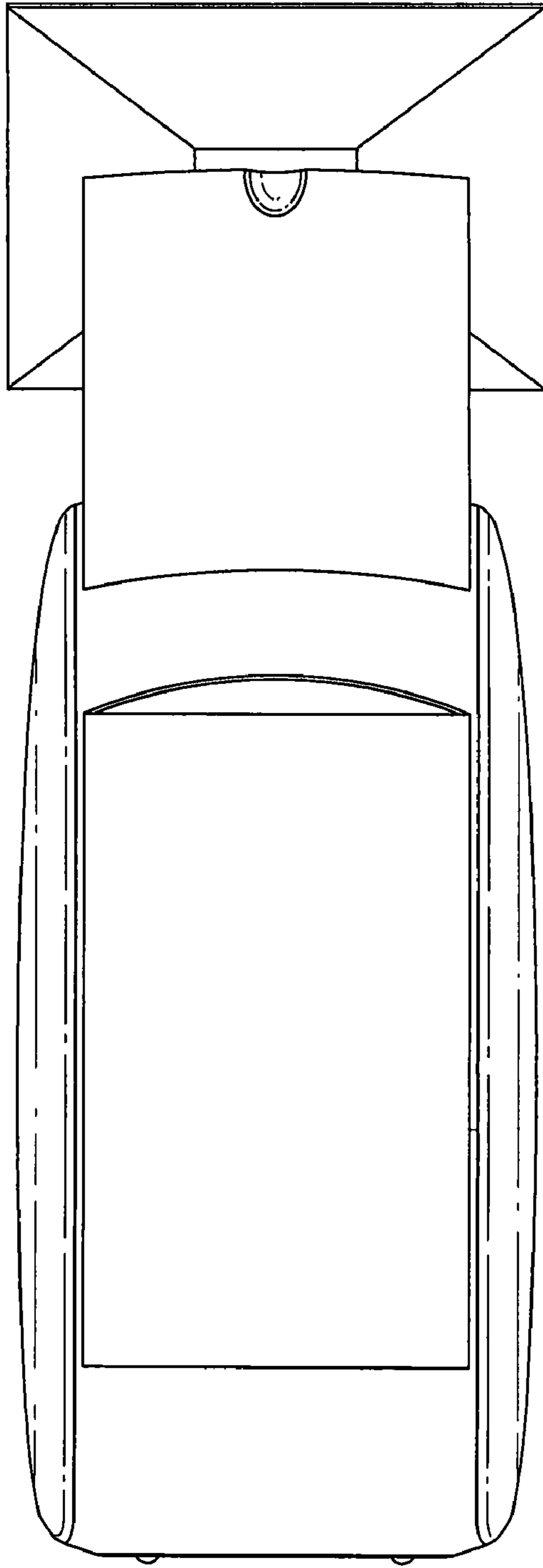


FIG. 3

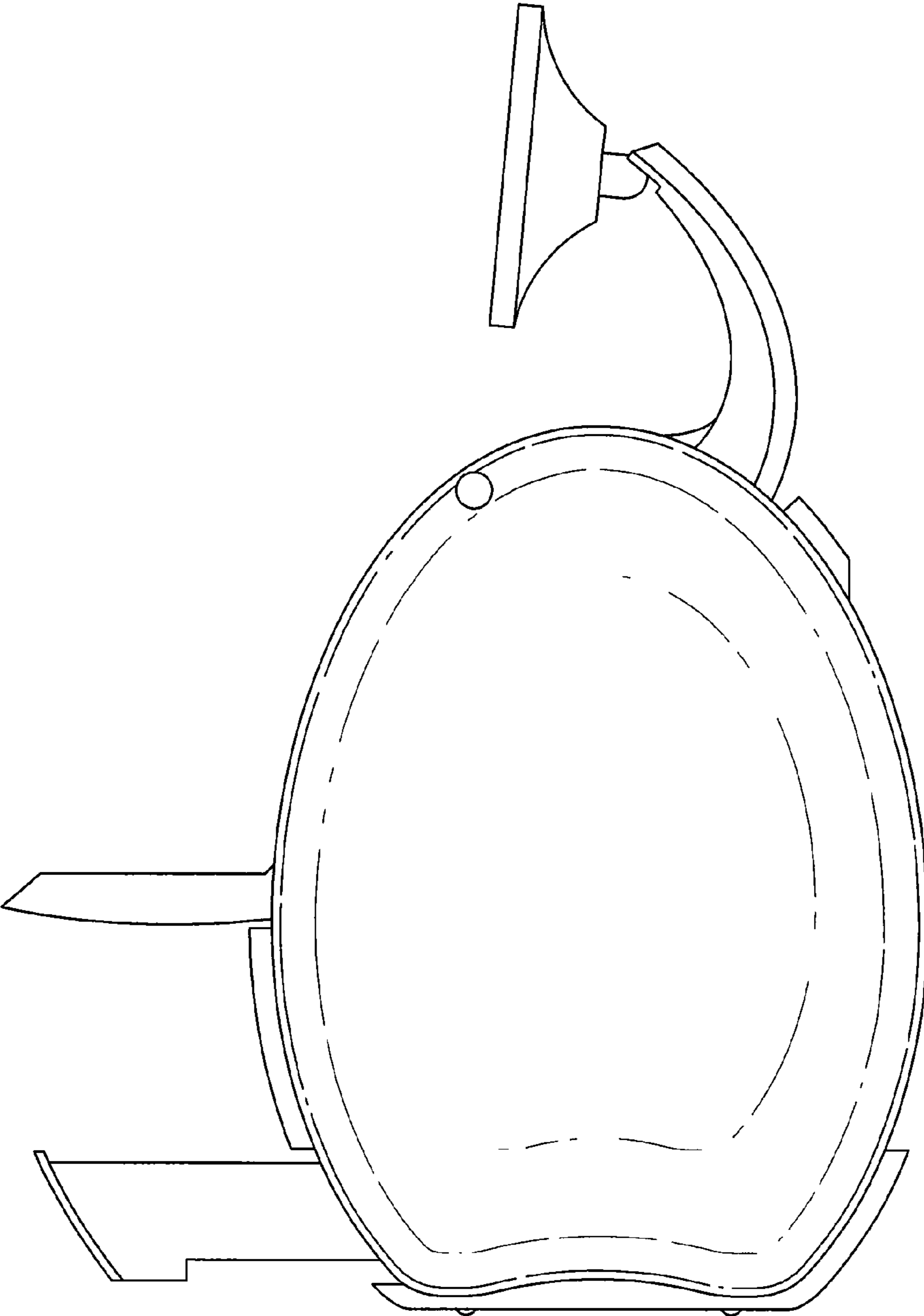


FIG. 4

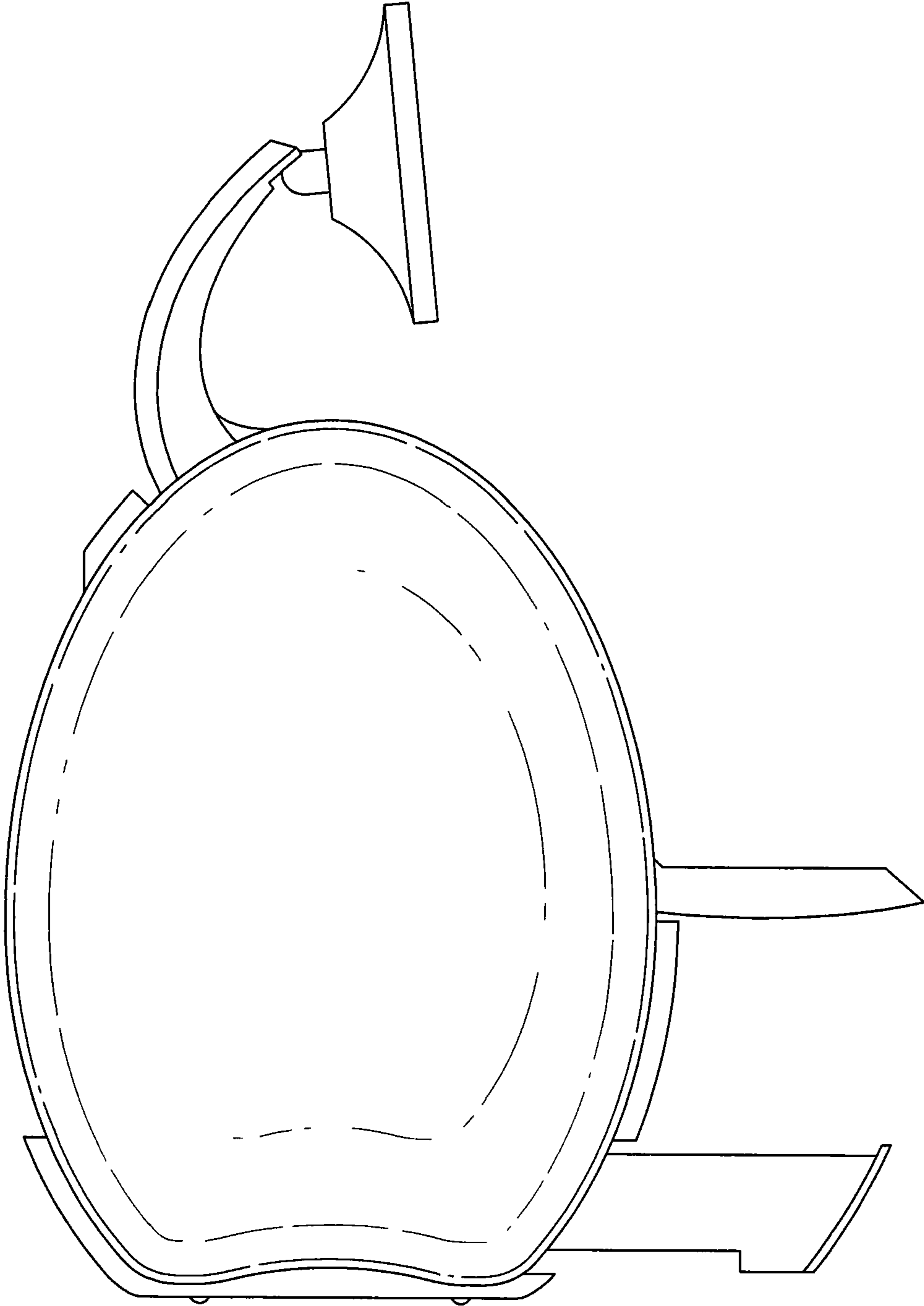


FIG. 5

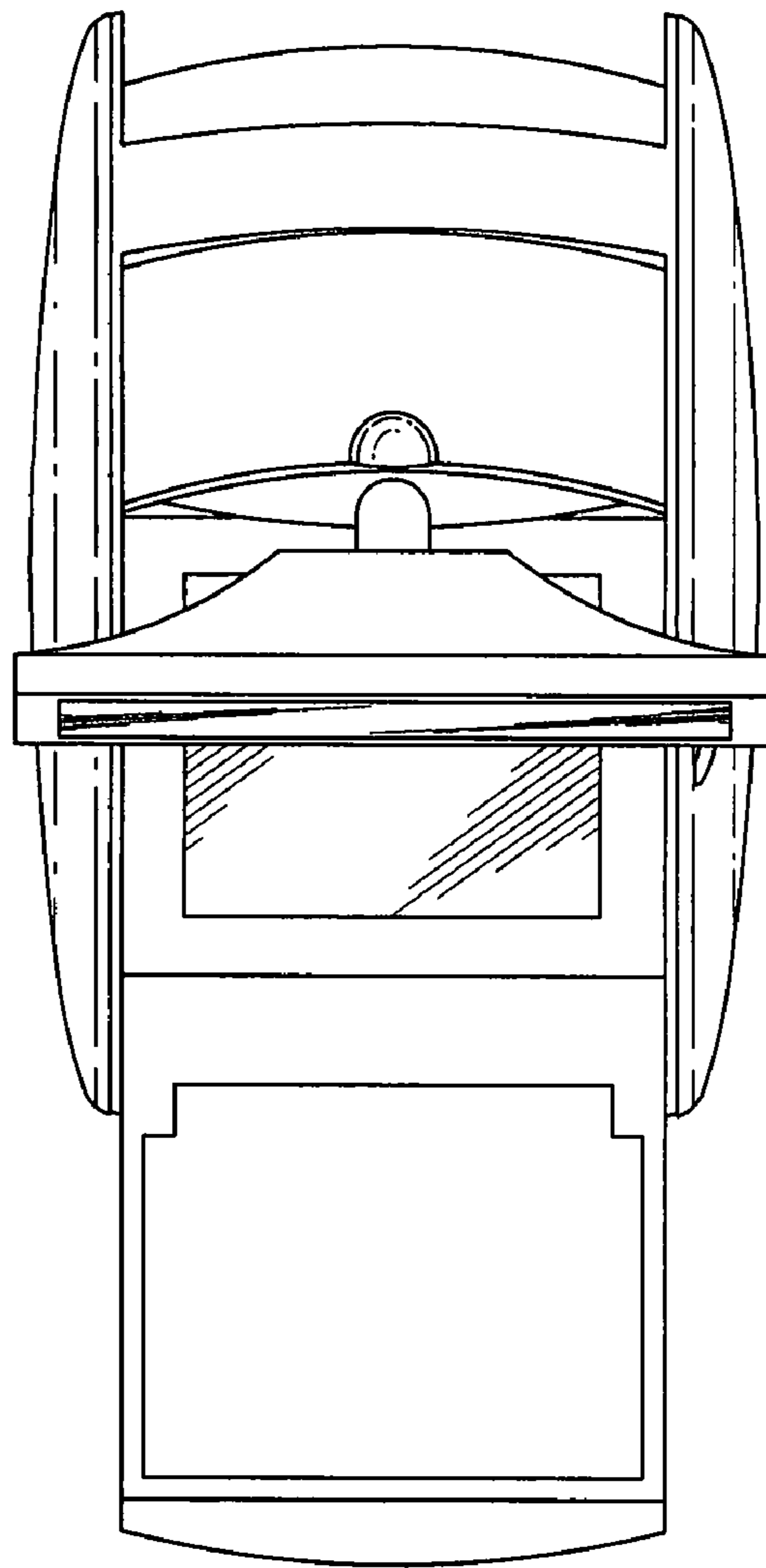


FIG. 6

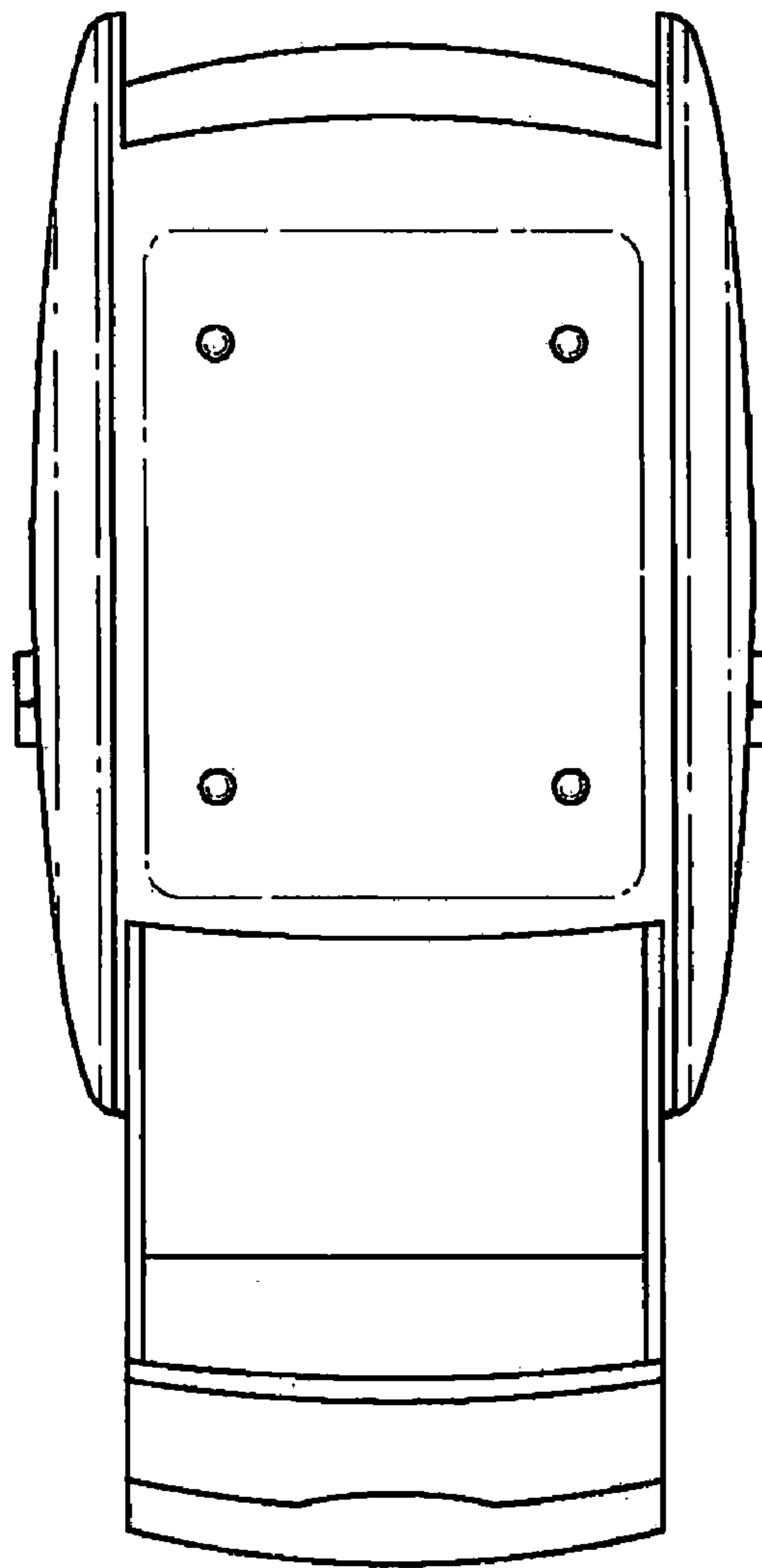


FIG. 7

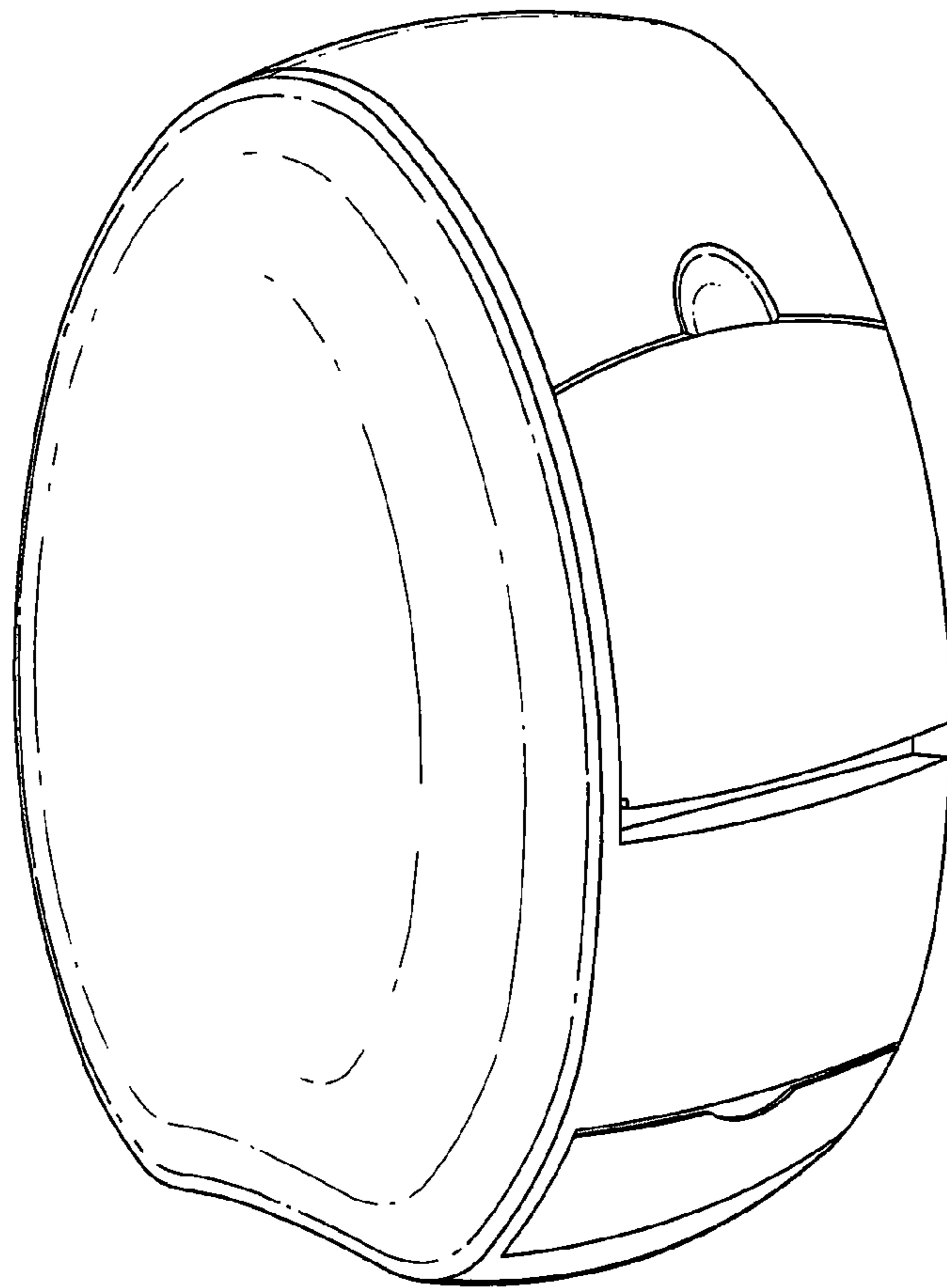


FIG. 8

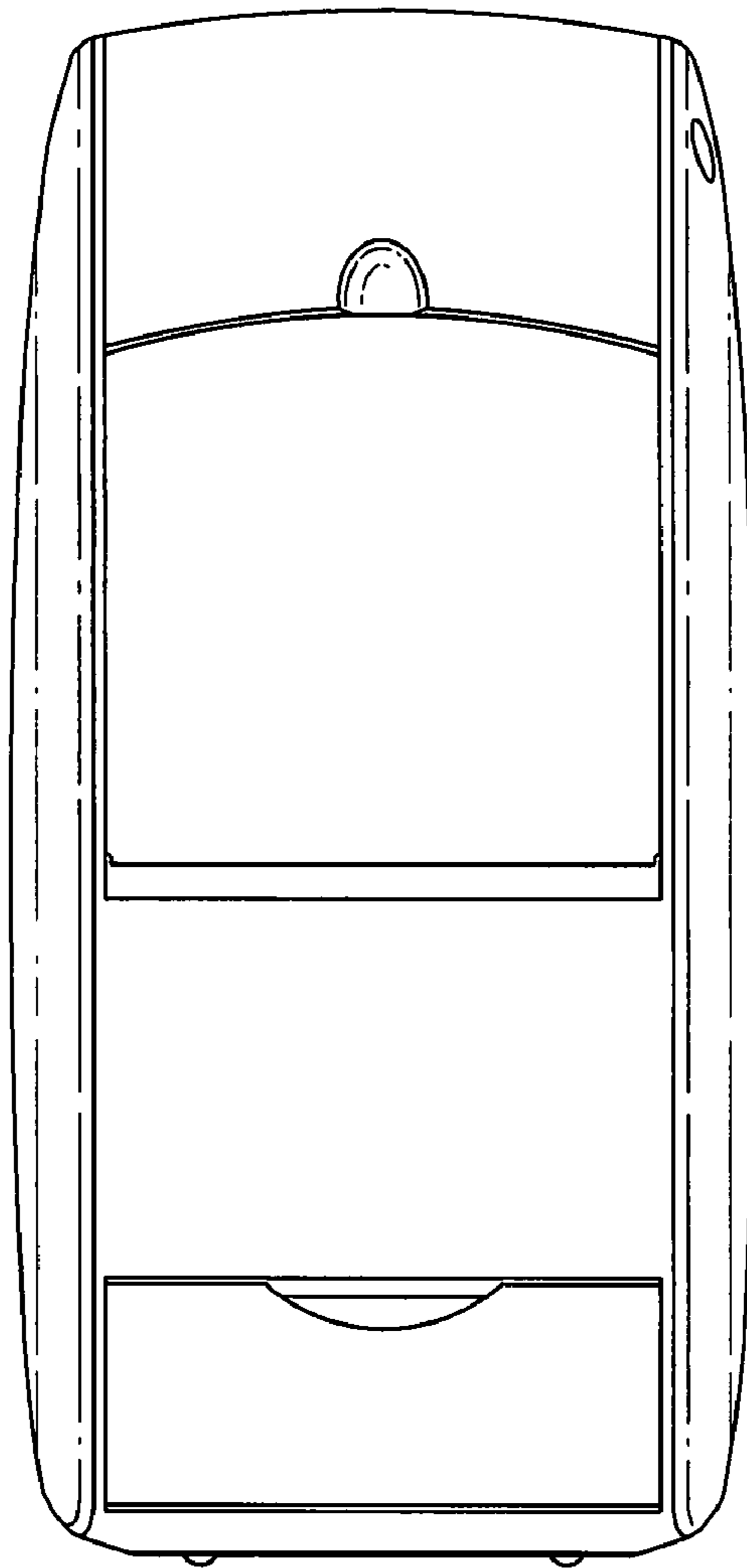


FIG. 9

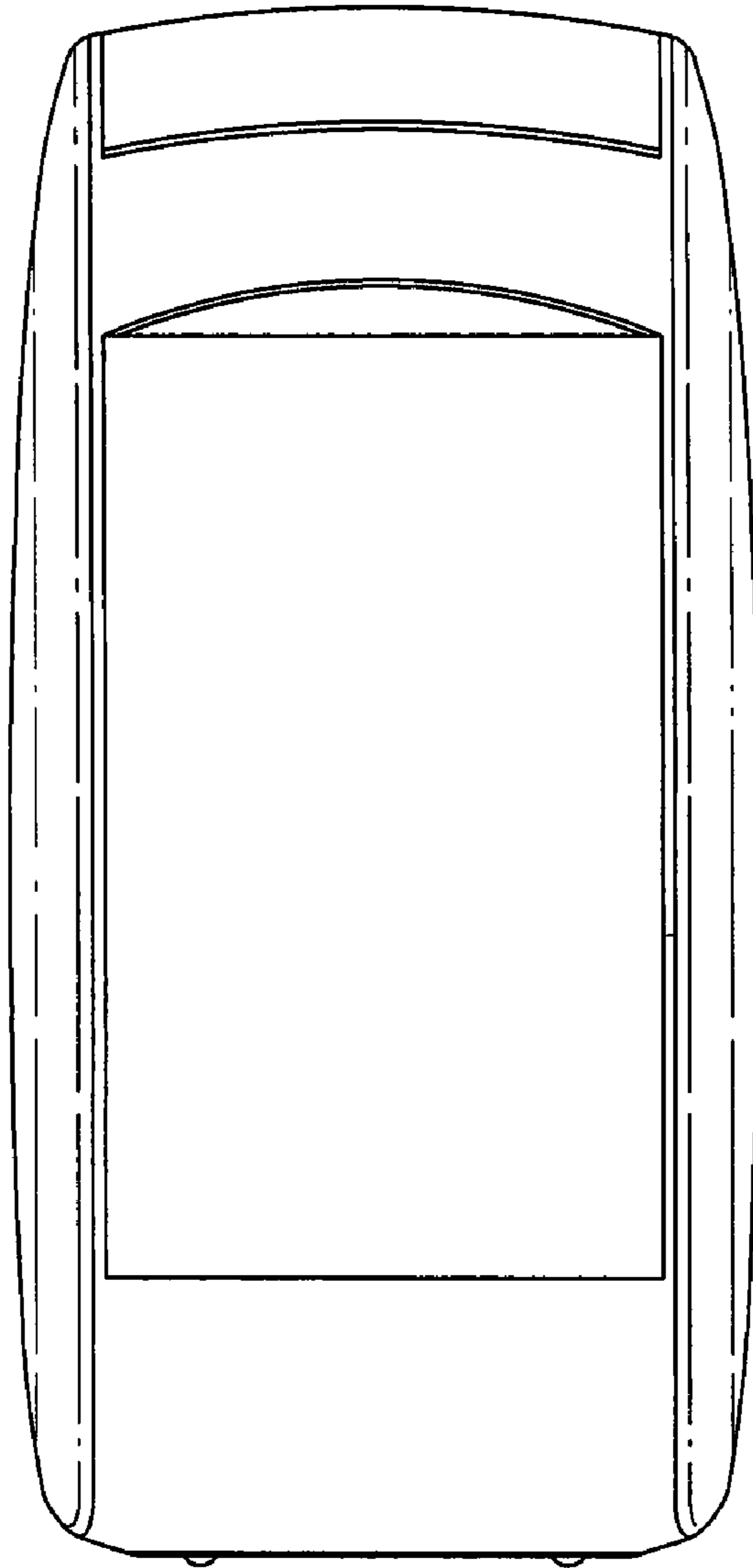


FIG. 10

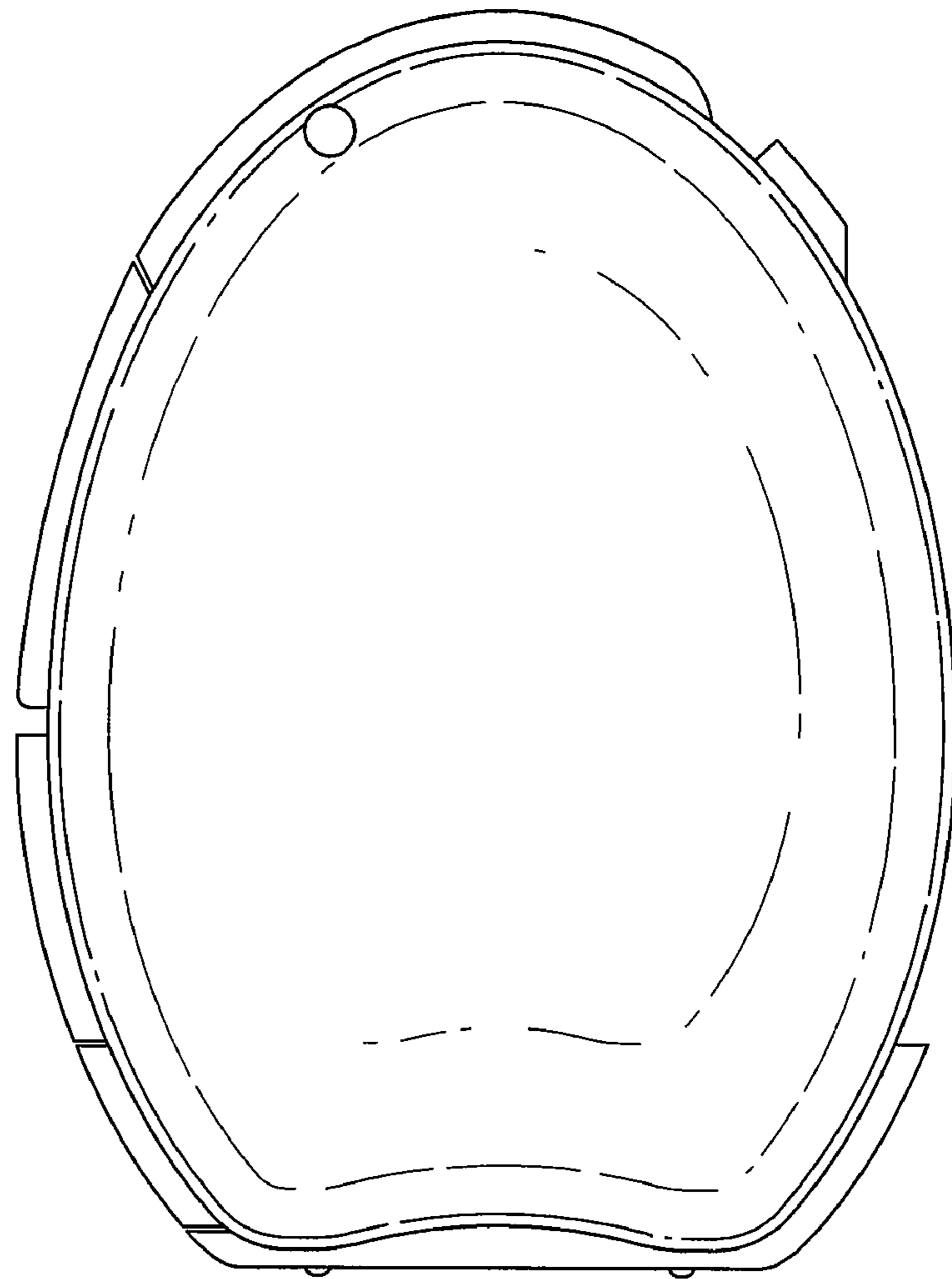


FIG. 11

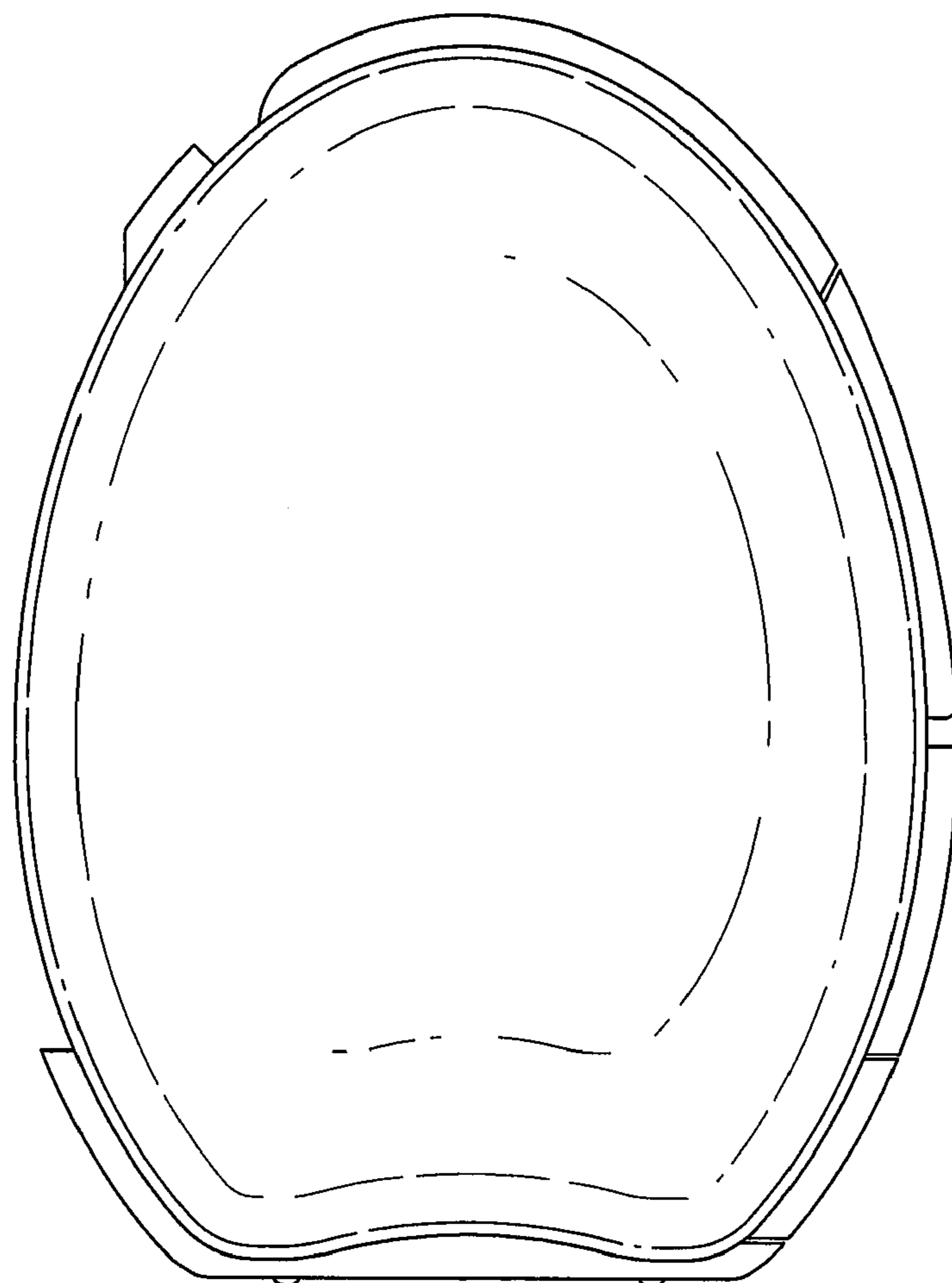


FIG. 12

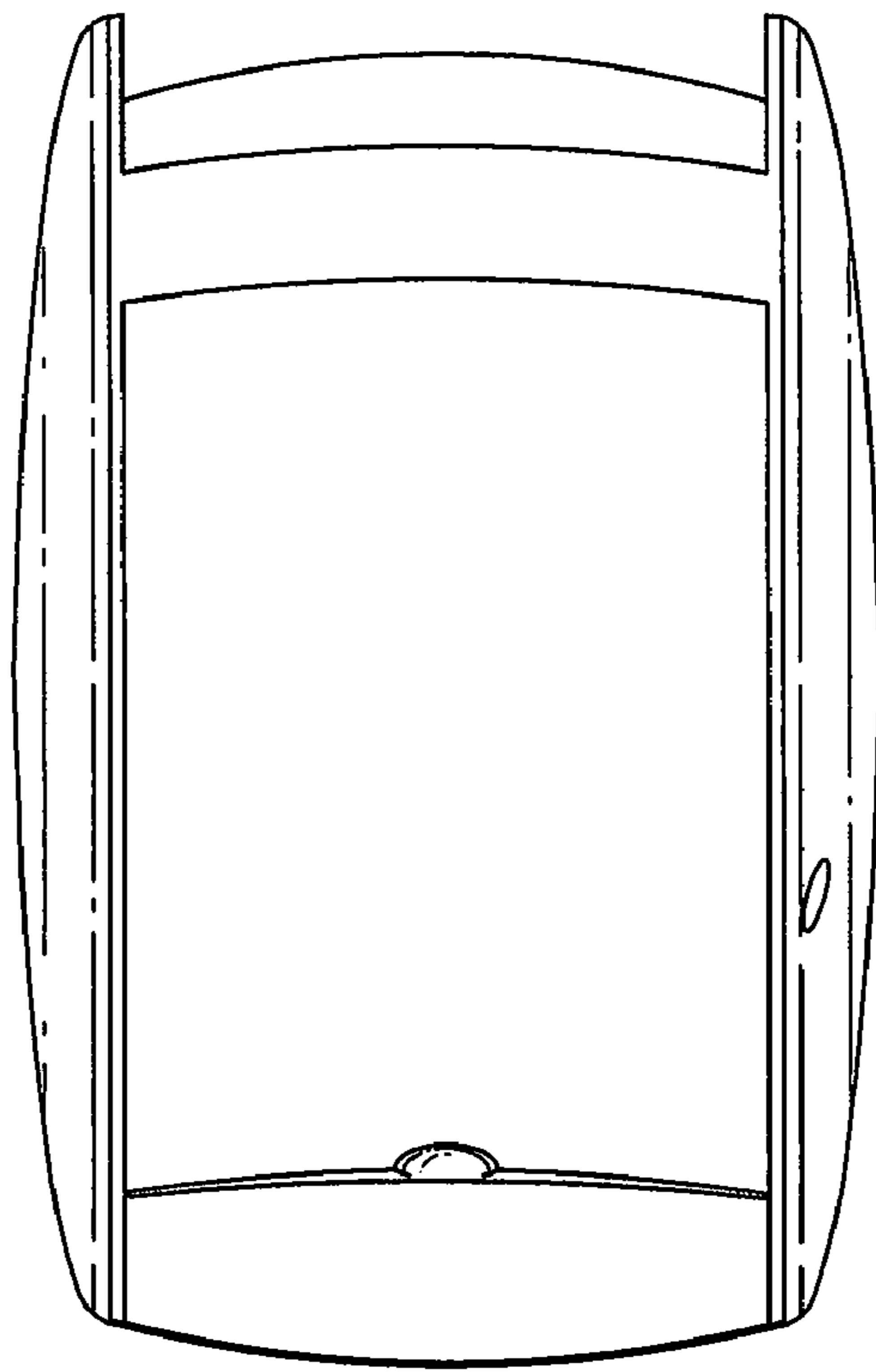


FIG. 13

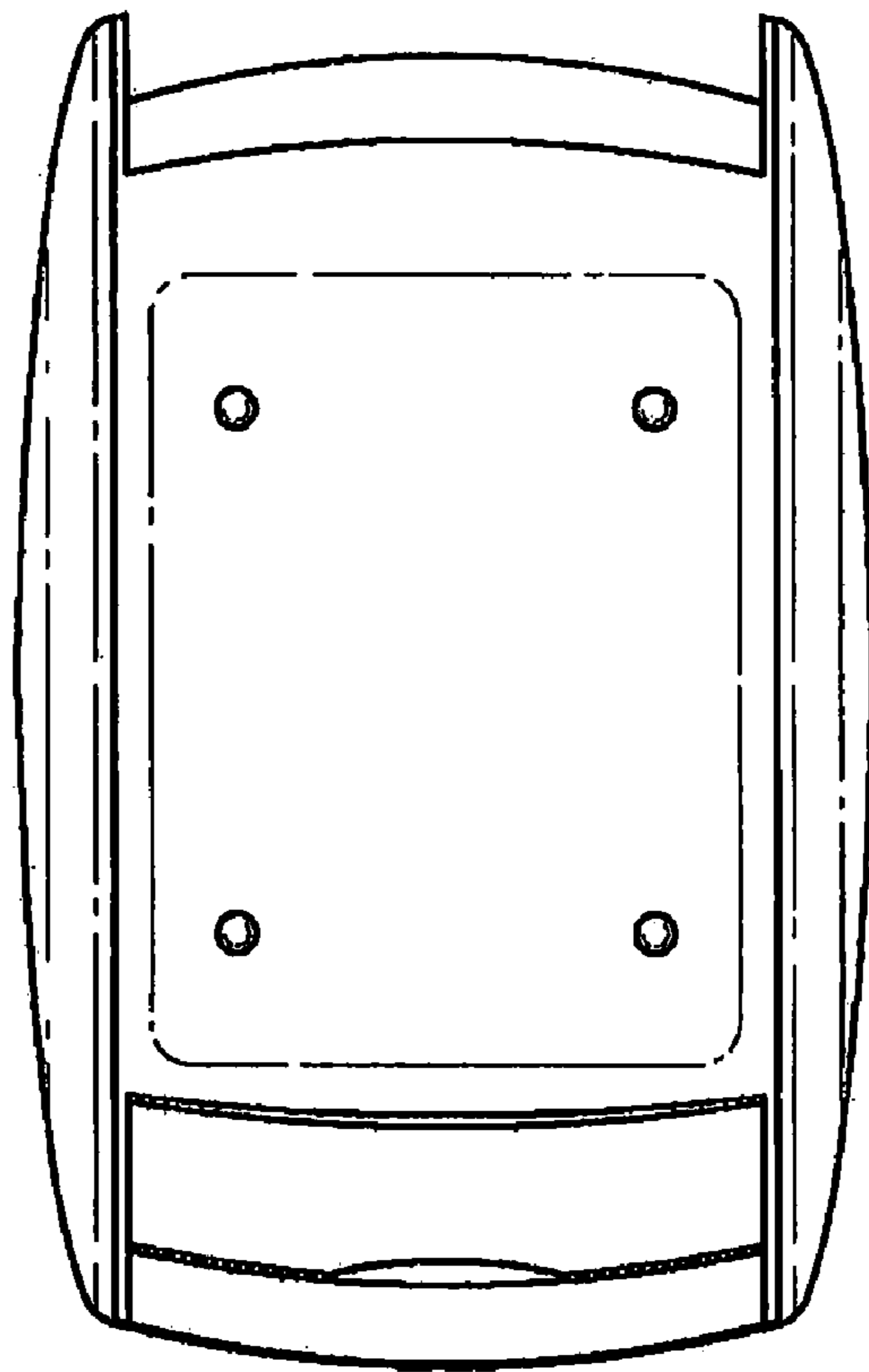


FIG. 14