



US00D663030S

(12) **United States Design Patent**
Mürner et al.

(10) **Patent No.:** **US D663,030 S**
(45) **Date of Patent:** **** Jul. 3, 2012**

(54) **FIXATION CLAMP**

(75) Inventors: **Beat Mürner**, Reichenbach (CH); **Axel Bernhard Cremer**, Lommiswil (CH); **Klaus Dorawa**, Safnern (CH)

(73) Assignee: **Styker Trauma SA** (CH)

(**) Term: **14 Years**

(21) Appl. No.: **29/394,192**

(22) Filed: **Jun. 14, 2011**

(51) **LOC (9) Cl.** **24-02**

(52) **U.S. Cl.** **D24/143; D24/155**

(58) **Field of Classification Search** **D24/143, D24/155-157, 128, 133; 403/188, 385; 600/415; 606/54, 56, 57, 59, 246, 248, 277, 324**
See application file for complete search history.

(56) **References Cited**

U.S. PATENT DOCUMENTS

2,250,417 A	7/1941	Ettinger
D228,970 S	10/1973	Cohen
D237,631 S	11/1975	Katzman
D255,713 S	7/1980	Sturges
D282,962 S	3/1986	Gerber
D283,725 S	5/1986	Mahoney
4,620,533 A	11/1986	Mears
4,662,365 A	5/1987	Gotzen et al.
D301,496 S	6/1989	Yonesawa et al.
5,071,437 A	12/1991	Steffee
5,098,432 A	3/1992	Wagenknecht
5,152,280 A	10/1992	Danieli
5,304,177 A	4/1994	Pennig
5,376,091 A	12/1994	Hotchkiss et al.
5,429,637 A	7/1995	Hardy
5,443,465 A	8/1995	Pennig
5,630,815 A	5/1997	Pohl et al.
D380,262 S	6/1997	Van Funderburk et al.
5,662,648 A	9/1997	Faccioli et al.
5,746,741 A	5/1998	Kraus et al.

5,752,954 A	5/1998	Mata et al.
5,827,282 A	10/1998	Pennig
5,846,245 A	12/1998	McCarthy et al.
5,891,144 A	4/1999	Mata et al.
5,921,985 A	7/1999	Ross, Jr. et al.
6,019,769 A	2/2000	McCarthy et al.
6,024,745 A	2/2000	Faccioli et al.
6,080,153 A	6/2000	Mata et al.
D429,334 S	8/2000	Solem
6,217,577 B1	4/2001	Hofmann
D455,831 S	4/2002	Koros et al.
6,386,786 B1	5/2002	Perlman et al.
6,409,729 B1	6/2002	Martinelli et al.
6,482,206 B2	11/2002	Schoenefeld

(Continued)

FOREIGN PATENT DOCUMENTS

CH 657899 A5 9/1986

(Continued)

OTHER PUBLICATIONS

European Search Report for EP 10194943.6 dated Feb. 23, 2011.

(Continued)

Primary Examiner — Wan Laymon

(74) *Attorney, Agent, or Firm* — Lerner, David, Littenberg, Krumholz & Mentlik, LLP

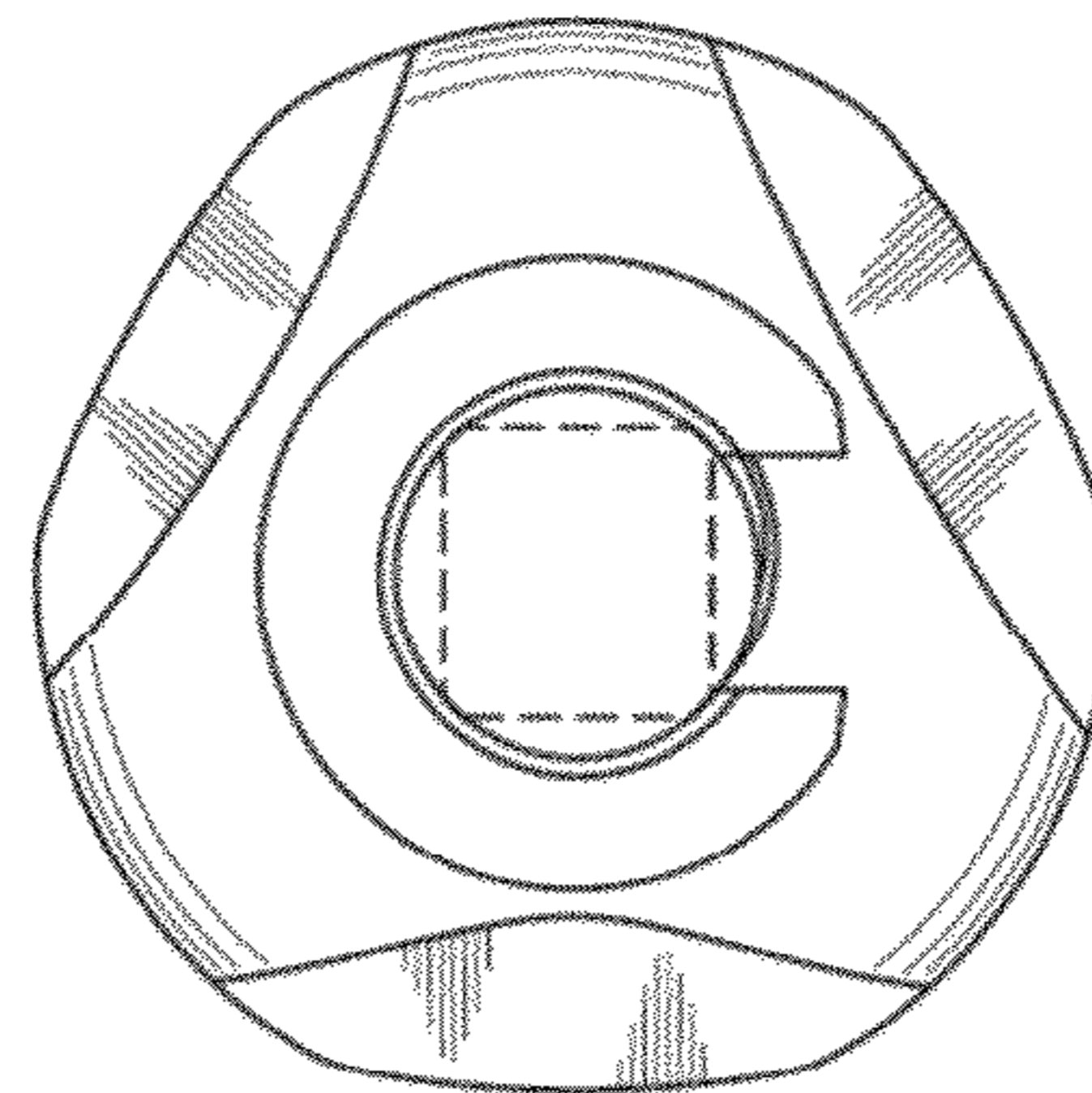
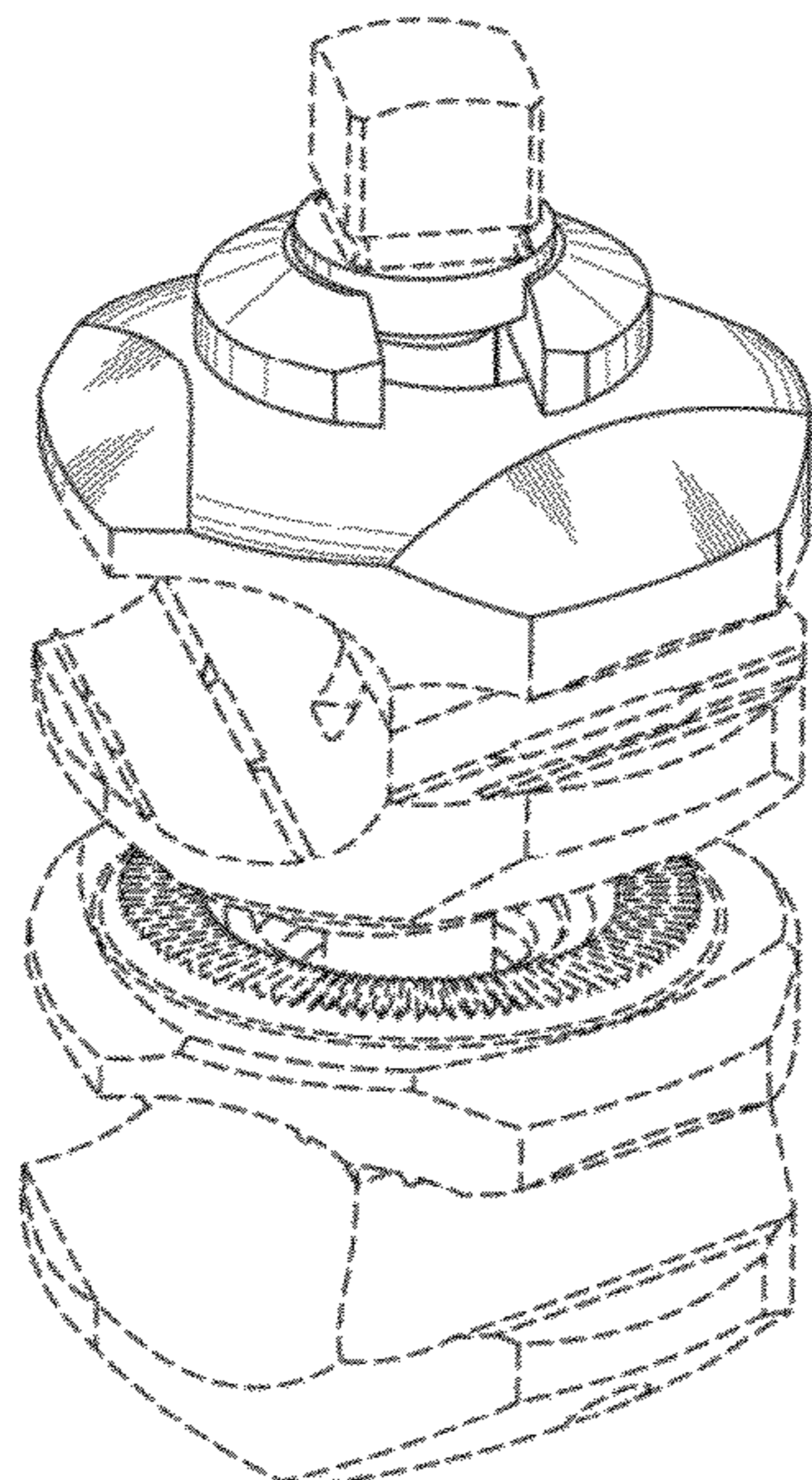
(57) **CLAIM**

The ornamental design for a fixation clamp, as shown and described.

DESCRIPTION

FIG. 1 is a perspective view of a fixation clamp in accordance of the present invention; and, FIG. 2 is a top view thereof. Portions of the fixation clamp shown in the drawings in phantom lines constitute no part of the claimed design.

1 Claim, 2 Drawing Sheets



US D663,030 S

Page 2

U.S. PATENT DOCUMENTS

6,520,962	B1	2/2003	Taylor et al.	
6,565,564	B2	5/2003	Hoffman et al.	
6,613,049	B2	9/2003	Winqvist et al.	
6,616,664	B2	9/2003	Walulik et al.	
6,652,523	B1	11/2003	Evrard et al.	
D483,642	S	12/2003	Lin	
6,702,814	B2	3/2004	Walulik et al.	
D493,225	S	7/2004	Varga et al.	
D494,274	S	8/2004	Varga et al.	
D501,555	S	2/2005	Varga et al.	
6,916,319	B2	7/2005	Munting	
7,004,943	B2	2/2006	Ferrante et al.	
7,048,735	B2	5/2006	Ferrante et al.	
D526,410	S	8/2006	Phillips et al.	
D532,277	S	11/2006	Shih	
D537,939	S	3/2007	Phillips et al.	
7,261,713	B2	8/2007	Langmaid et al.	
D551,763	S	9/2007	Phillips et al.	
7,282,052	B2	10/2007	Mullaney	
D556,899	S	12/2007	Veliss et al.	
D558,337	S	12/2007	Jones et al.	
7,449,023	B2	11/2008	Walulik et al.	
7,479,142	B2	1/2009	Weiner et al.	
7,491,008	B2*	2/2009	Thomke et al.	606/54
7,527,626	B2*	5/2009	Lutz et al.	606/54
7,562,855	B2	7/2009	Oetlinger	
7,588,571	B2	9/2009	Olsen	
7,618,417	B2	11/2009	Thomke et al.	
D607,102	S	12/2009	Robinson	
7,749,224	B2	7/2010	Cresina et al.	
7,806,623	B2*	10/2010	Thomke et al.	403/385
D632,791	S	2/2011	Murner	
D633,206	S	2/2011	Murner	
D633,207	S	2/2011	Murner	
D633,208	S	2/2011	Murner	
2001/0049526	A1	12/2001	Venturini et al.	
2002/0037193	A1	3/2002	Gibbons et al.	
2002/0077629	A1	6/2002	Hoffman et al.	
2003/0199738	A1	10/2003	Yager	
2004/0044344	A1	3/2004	Winqvist et al.	
2004/0059331	A1	3/2004	Mullaney	
2005/0203520	A1	9/2005	Volzow	

2005/0240265	A1	10/2005	Kuiper et al.	
2006/0025703	A1	2/2006	Miles et al.	
2006/0039750	A1	2/2006	Thomke et al.	
2006/0052785	A1	3/2006	Augostino et al.	
2006/0155276	A1	7/2006	Walulik et al.	
2006/0167453	A1	7/2006	Hoffmann-Clair et al.	
2006/0287652	A1	12/2006	Lessig et al.	
2007/0038217	A1*	2/2007	Brown et al.	606/57
2007/0123856	A1	5/2007	Deffenbaugh et al.	
2007/0198012	A1*	8/2007	Thomke et al.	606/54
2007/0233061	A1	10/2007	Lehmann et al.	
2008/0065068	A1	3/2008	Thomke et al.	
2008/0215053	A1	9/2008	Thomke et al.	
2008/0306527	A1	12/2008	Winslow et al.	
2008/0306528	A1	12/2008	Winslow et al.	
2009/0018541	A1	1/2009	Lavi	
2009/0088751	A1	4/2009	Mullaney	
2009/0099565	A1	4/2009	Weiner et al.	
2009/0299368	A1	12/2009	Bauer	
2009/0306661	A1*	12/2009	Thomke et al.	606/54
2009/0326532	A1	12/2009	Schulze	
2010/0298827	A1*	11/2010	Cremer et al.	606/54
2011/0066151	A1*	3/2011	Murner et al.	606/54
2011/0087226	A1*	4/2011	Murner et al.	606/54
2012/0004659	A1*	1/2012	Miller et al.	606/54

FOREIGN PATENT DOCUMENTS

DE	518329	C	2/1931
DE	10246418	A1	4/2004
EP	314021	A2	5/1989
EP	0700664	A1	3/1996
EP	2250968	A1	11/2010
FR	2787697	A1	6/2000
JP	2003325058	A	11/2003
WO	0156486	A1	8/2001
WO	2006116307		11/2006
WO	2007001945	A1	1/2007

OTHER PUBLICATIONS

European Search Report for EP 10194945.1 dated Feb. 25, 2011.
 European Search report for EP 10194944.4 dated Feb. 23, 2011.

* cited by examiner

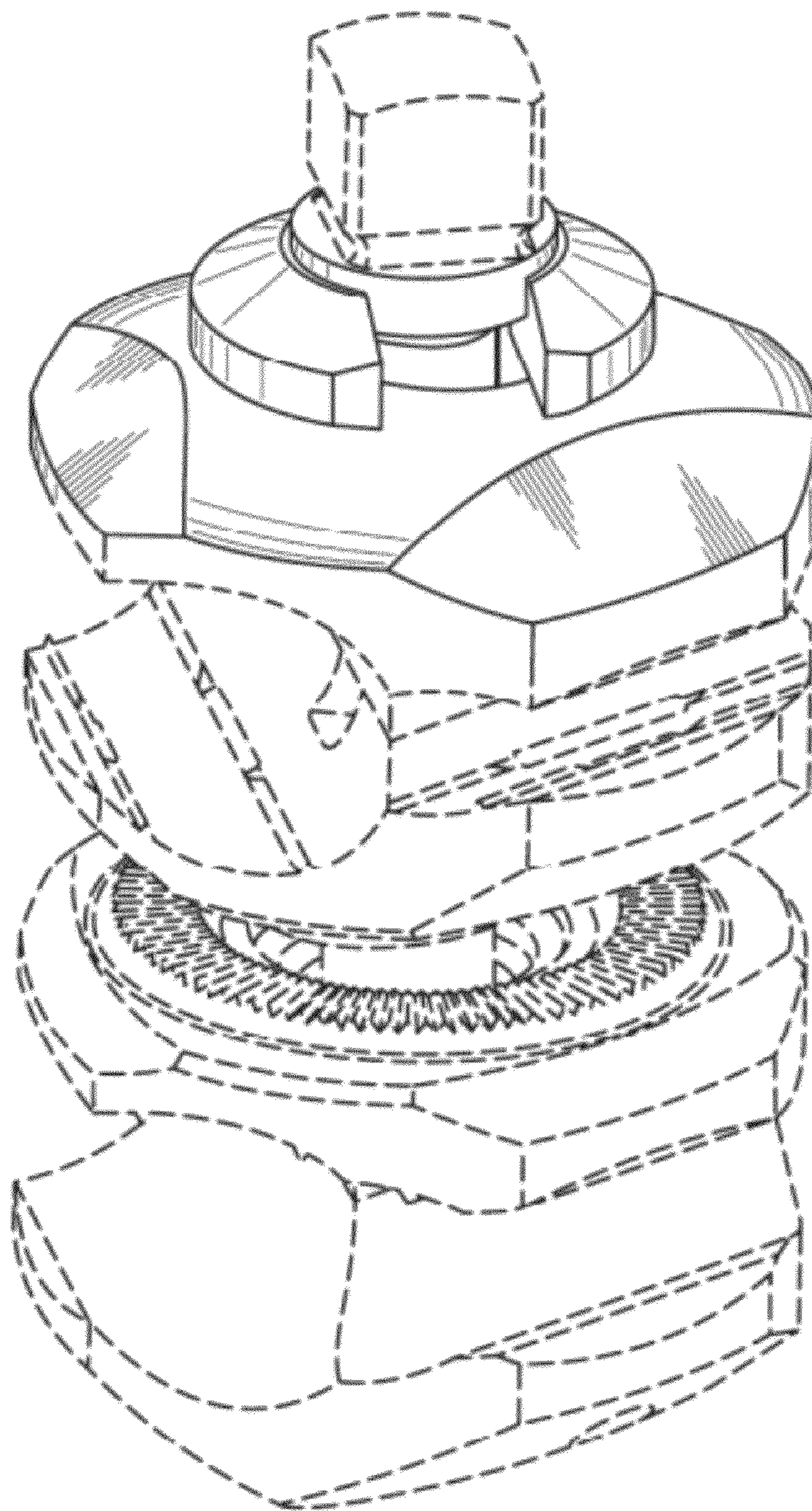


Fig. 1

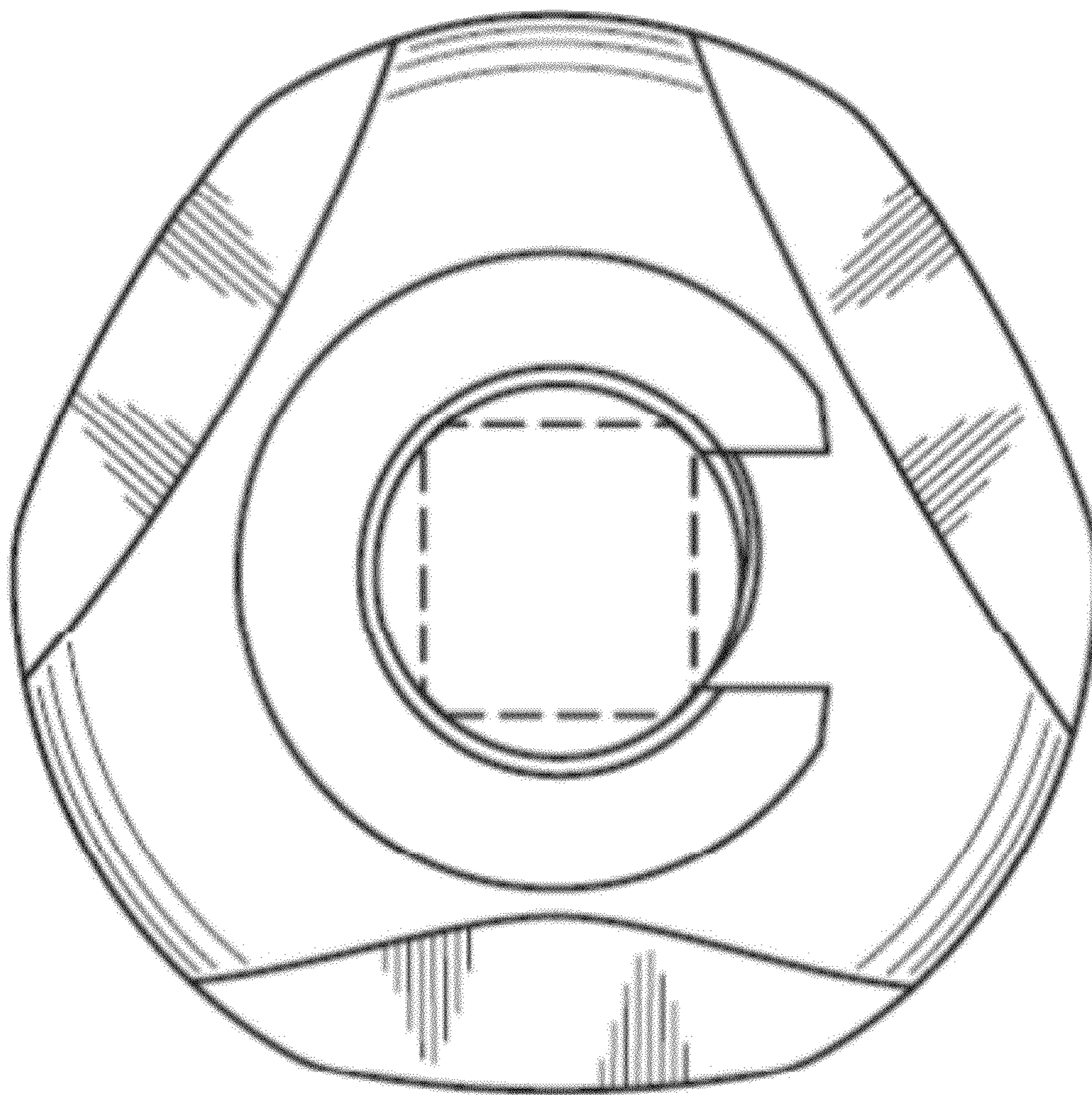


Fig. 2