



US00D663029S

(12) **United States Design Patent**
Holmen et al.

(10) **Patent No.:** **US D663,029 S**
(45) **Date of Patent:** **** Jul. 3, 2012**

(54) **COMPRESSION ASSEMBLY TO RELIEVE
MENSTRUAL CRAMPING**

(75) Inventors: **Erik Holmen**, Sarasota, FL (US);
Robert Brady, Sarasota, FL (US); **Joel
Chartier**, Bradenton, FL (US)

(73) Assignee: **Embrace, LLC**, Sarasota, FL (US)

(**) Term: **14 Years**

(21) Appl. No.: **29/390,991**

(22) Filed: **May 2, 2011**

(51) **LOC (9) Cl.** **24-02**

(52) **U.S. Cl.** **D24/143; D24/190**

(58) **Field of Classification Search** D24/143,
D24/183, 190, 200, 215; 600/15; 602/2,
602/19, 53, 201, 203; 607/96, 108; 128/95.1,
128/96.1, 99.1, 100.1, 102.1, 98.1, 124.1,
128/845-846, 876, 121.1, 106.1; D29/100,
D29/101.5

See application file for complete search history.

(56) **References Cited**

U.S. PATENT DOCUMENTS

4,702,235 A * 10/1987 Hong 607/108
D345,799 S * 4/1994 Lamond et al. D24/143
5,383,920 A * 1/1995 Sikes 602/19
5,728,055 A * 3/1998 Sebastian 602/19

5,817,145 A * 10/1998 Augustine et al. 607/96
6,500,137 B1 * 12/2002 Molino et al. 602/19
2008/0289623 A1 * 11/2008 Lee 128/96.1
2009/0173340 A1 * 7/2009 Lee 128/106.1
2011/0015708 A1 * 1/2011 Lee et al. 128/106.1

* cited by examiner

Primary Examiner — Wan Laymon

(74) *Attorney, Agent, or Firm* — Allen, Dyer, Doppelt,
Milbrath & Gilchrist, P.A.

(57) **CLAIM**

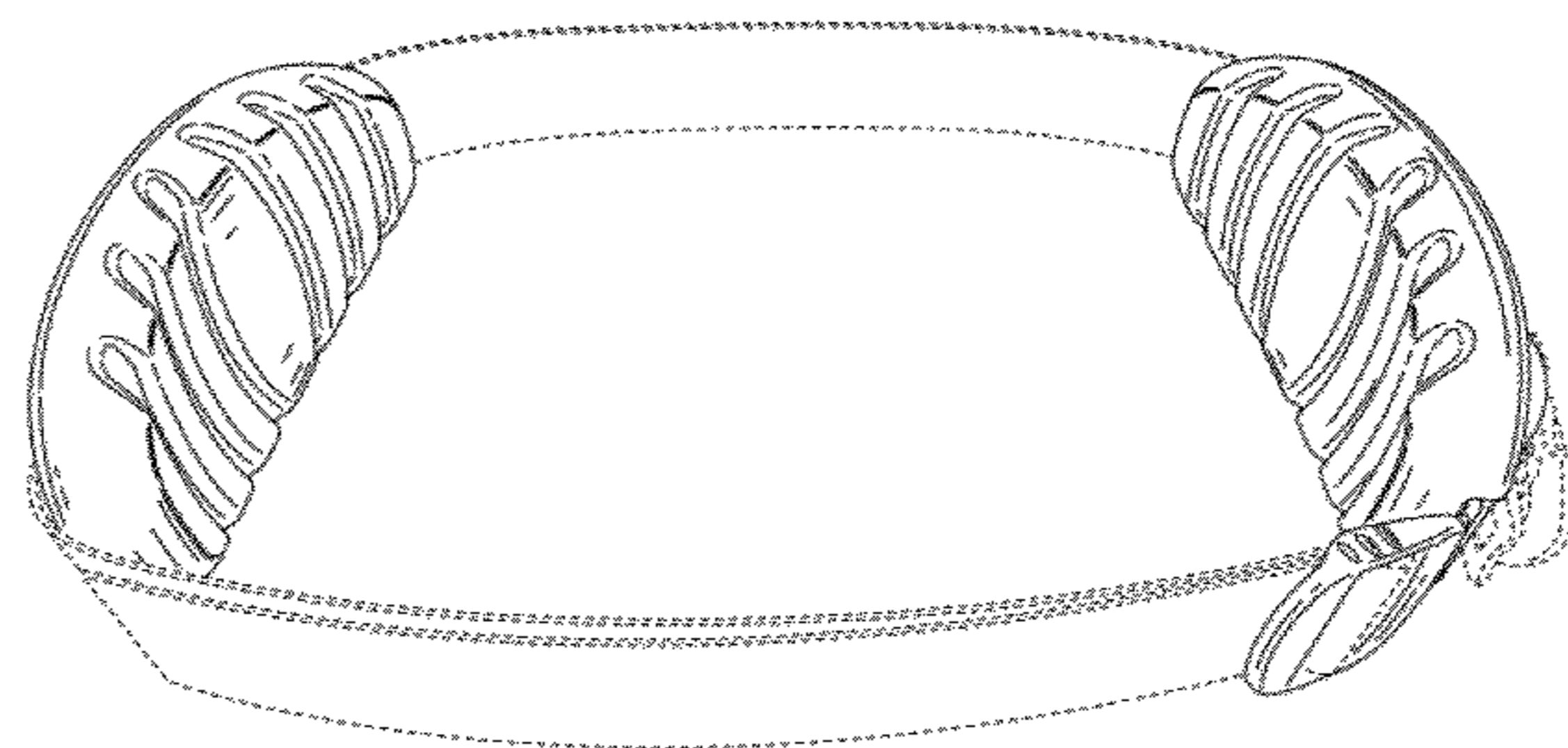
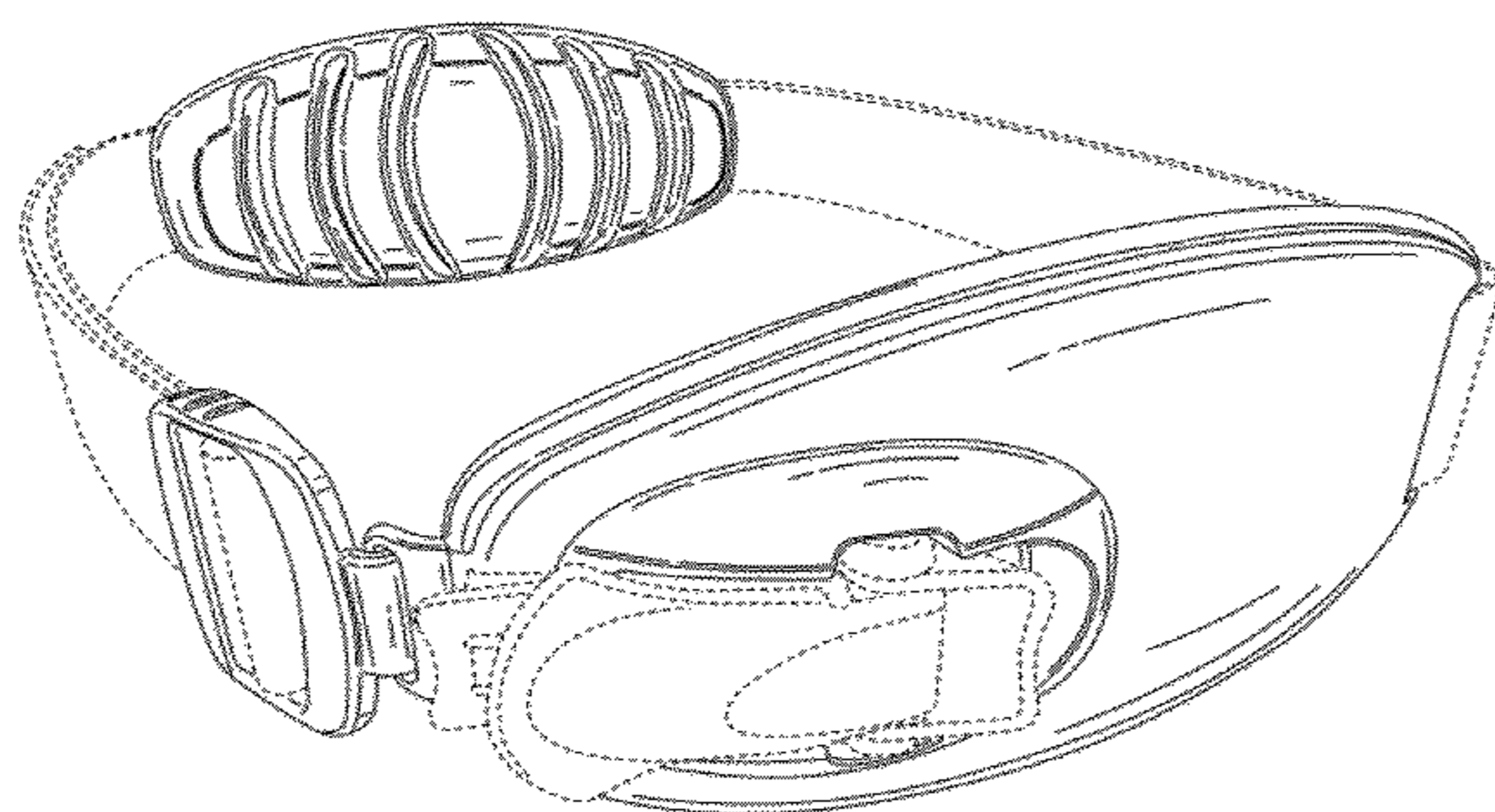
The ornamental design for a compression assembly to relieve
menstrual cramping, as shown and described.

DESCRIPTION

FIG. 1 is a right perspective view of the compression assem-
bly to relieve menstrual cramping showing our new design;
FIG. 2 is a left perspective view thereof;
FIG. 3 is a top perspective view thereof;
FIG. 4 is an enlarged front view thereof;
FIG. 5 is an enlarged back view thereof;
FIG. 6 is a right side view thereof;
FIG. 7 is a left side view thereof;
FIG. 8 is an enlarged top view thereof; and,
FIG. 9 is enlarged bottom view thereof.

The broken lines showing in the attached drawings are for
illustrative purposes only and form no part of the claimed
design.

1 Claim, 9 Drawing Sheets



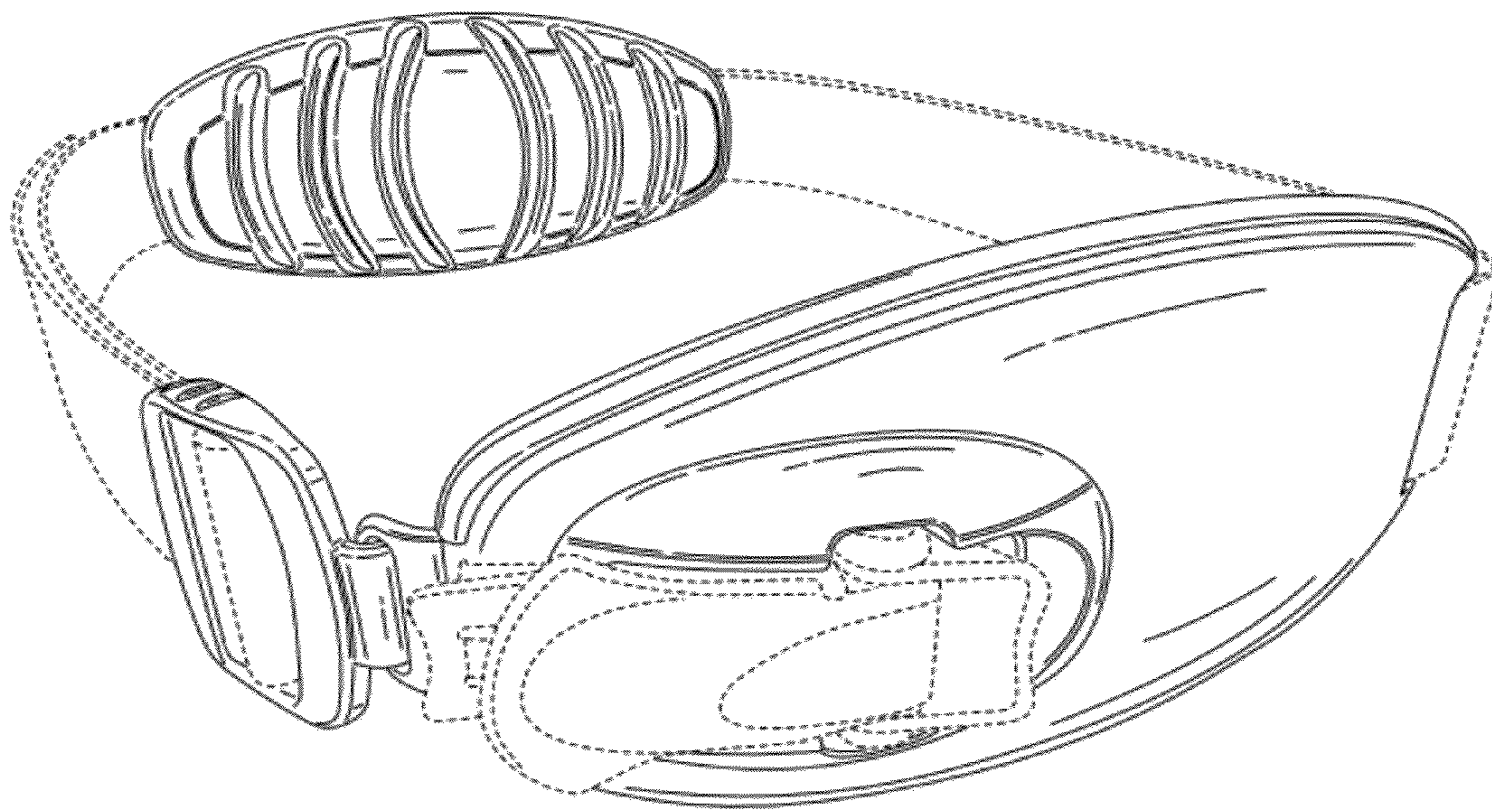


FIG. 1

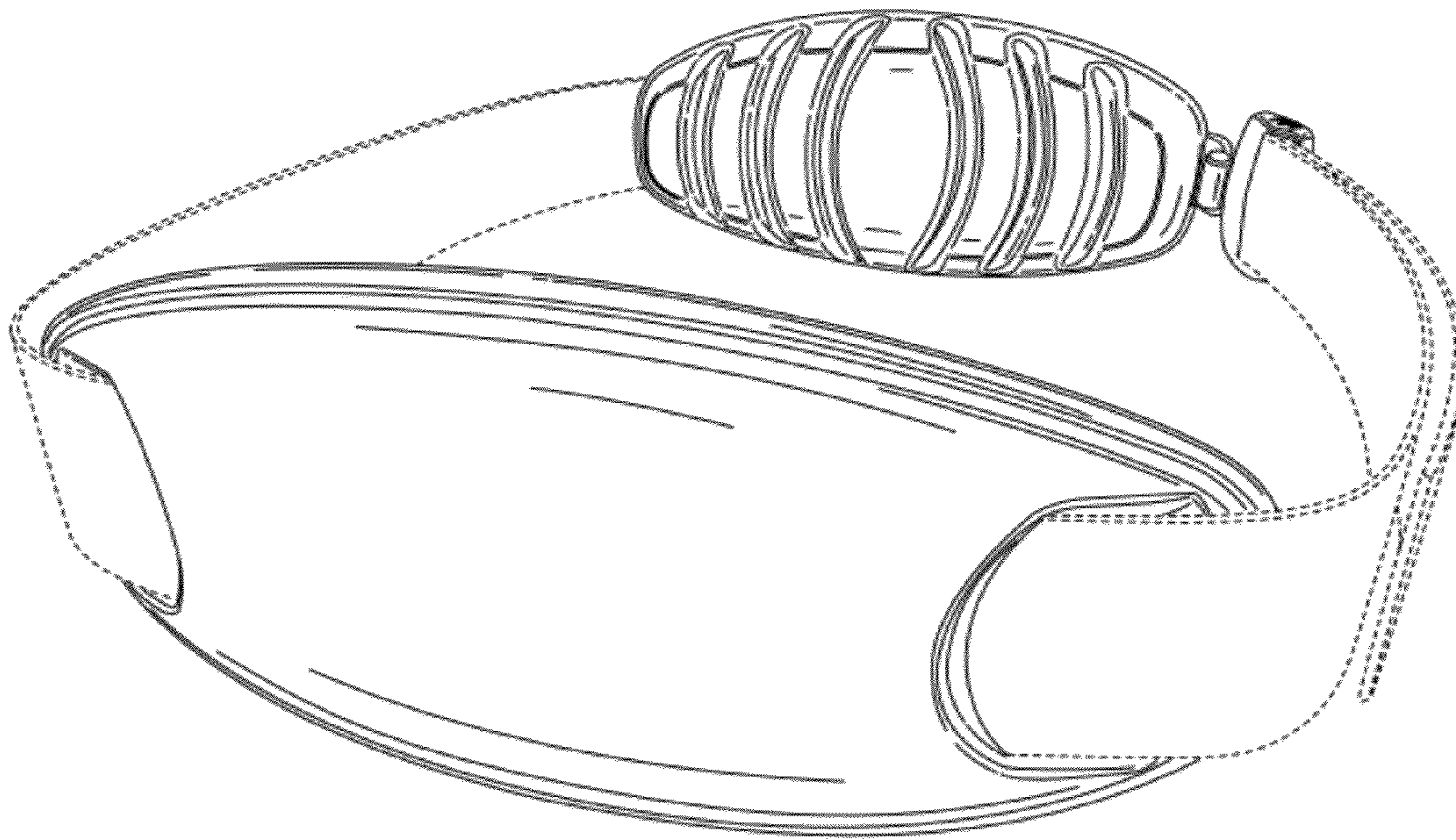


FIG. 2

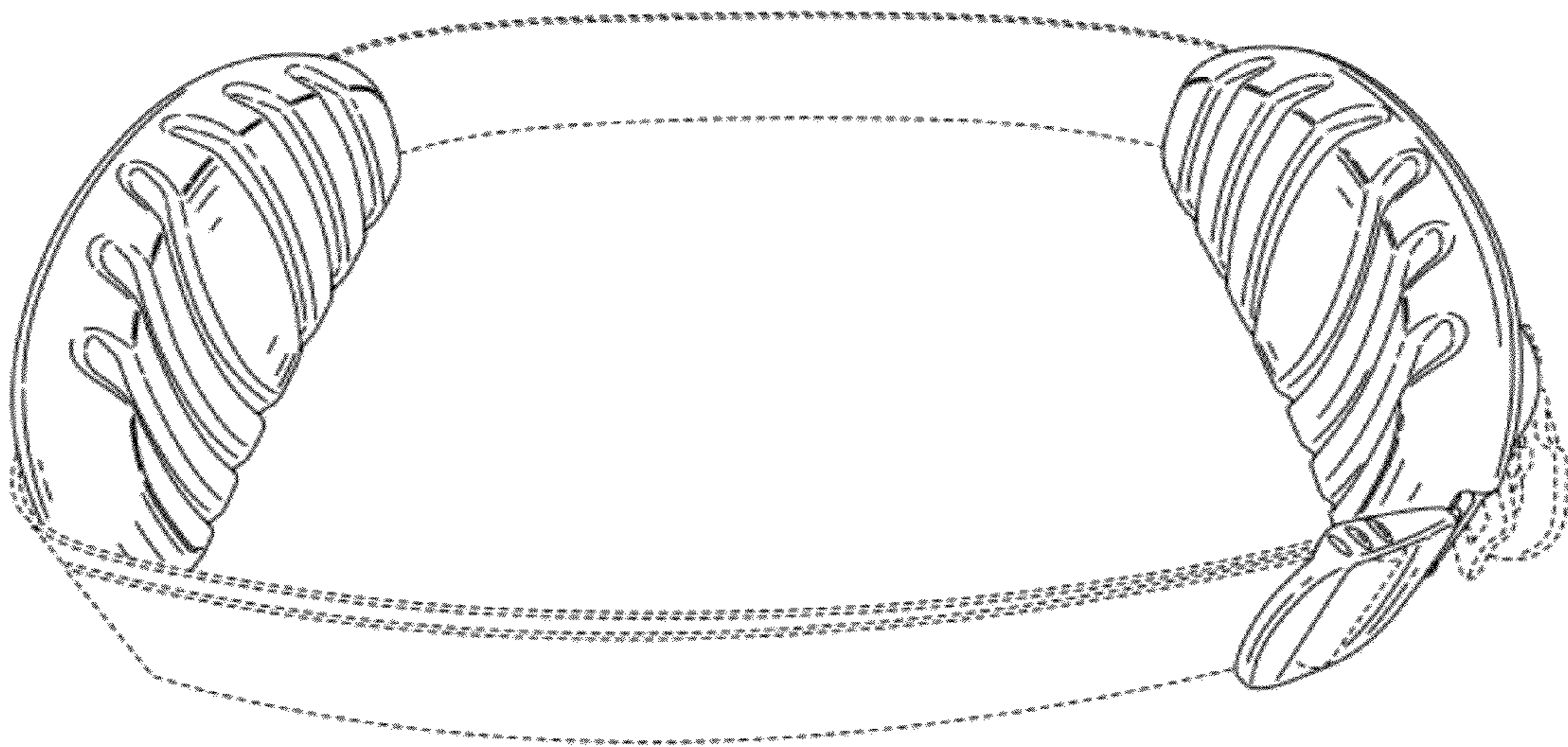


FIG. 3

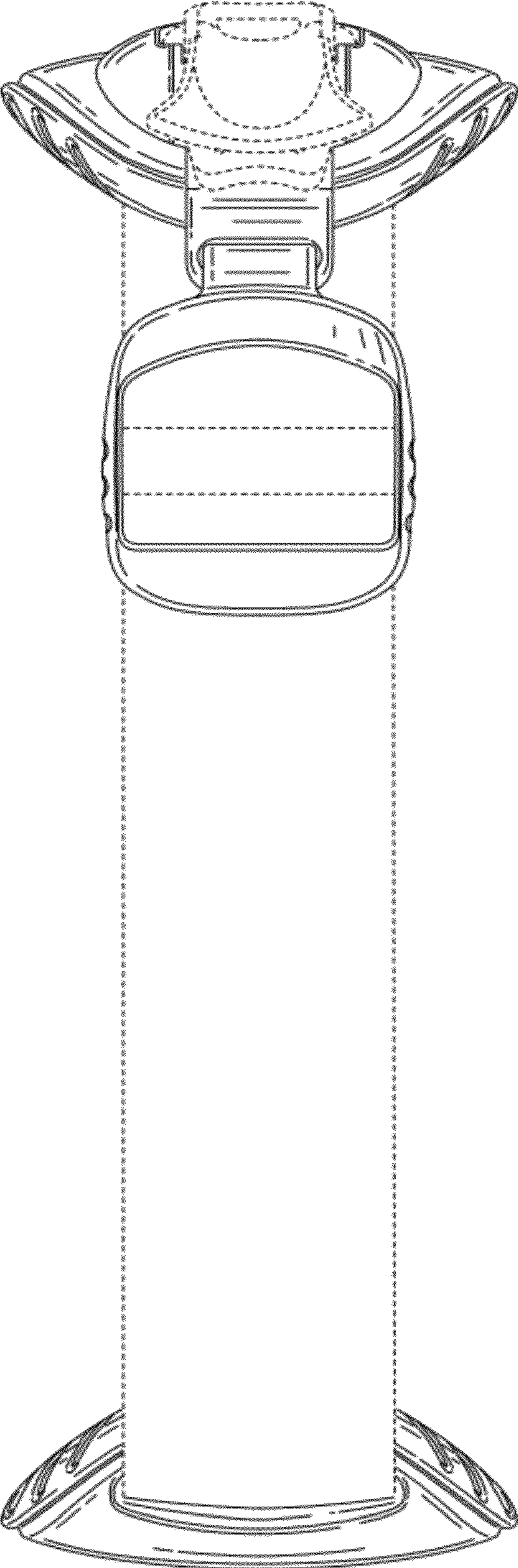


FIG. 4

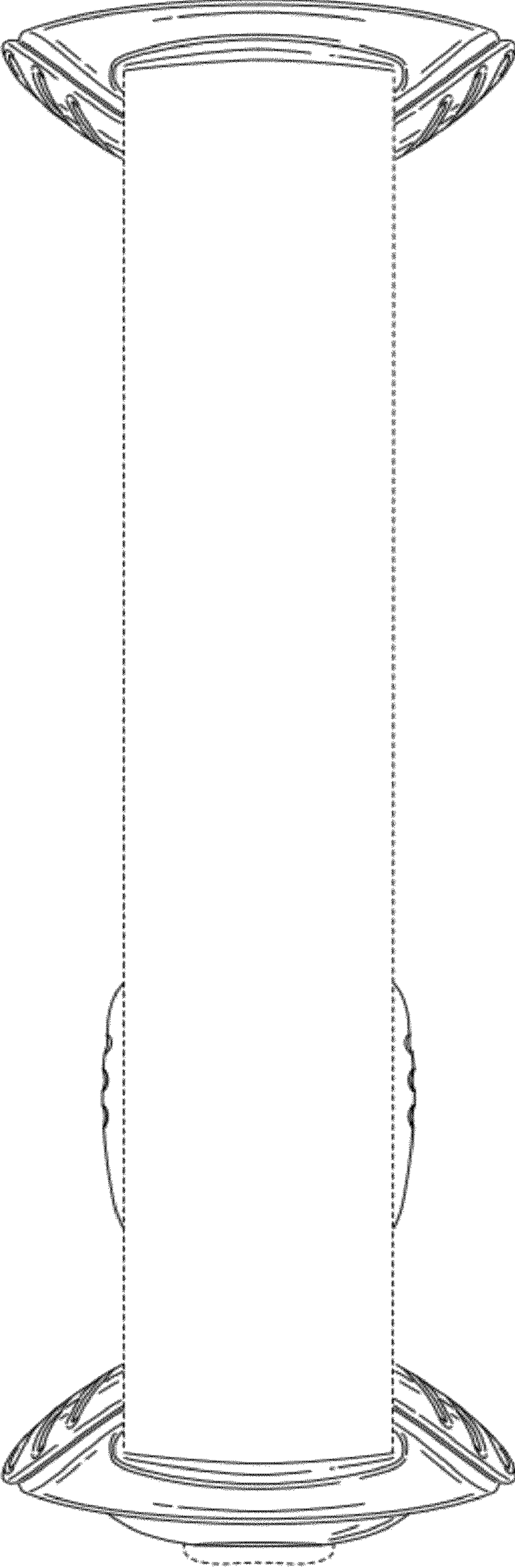


FIG. 5

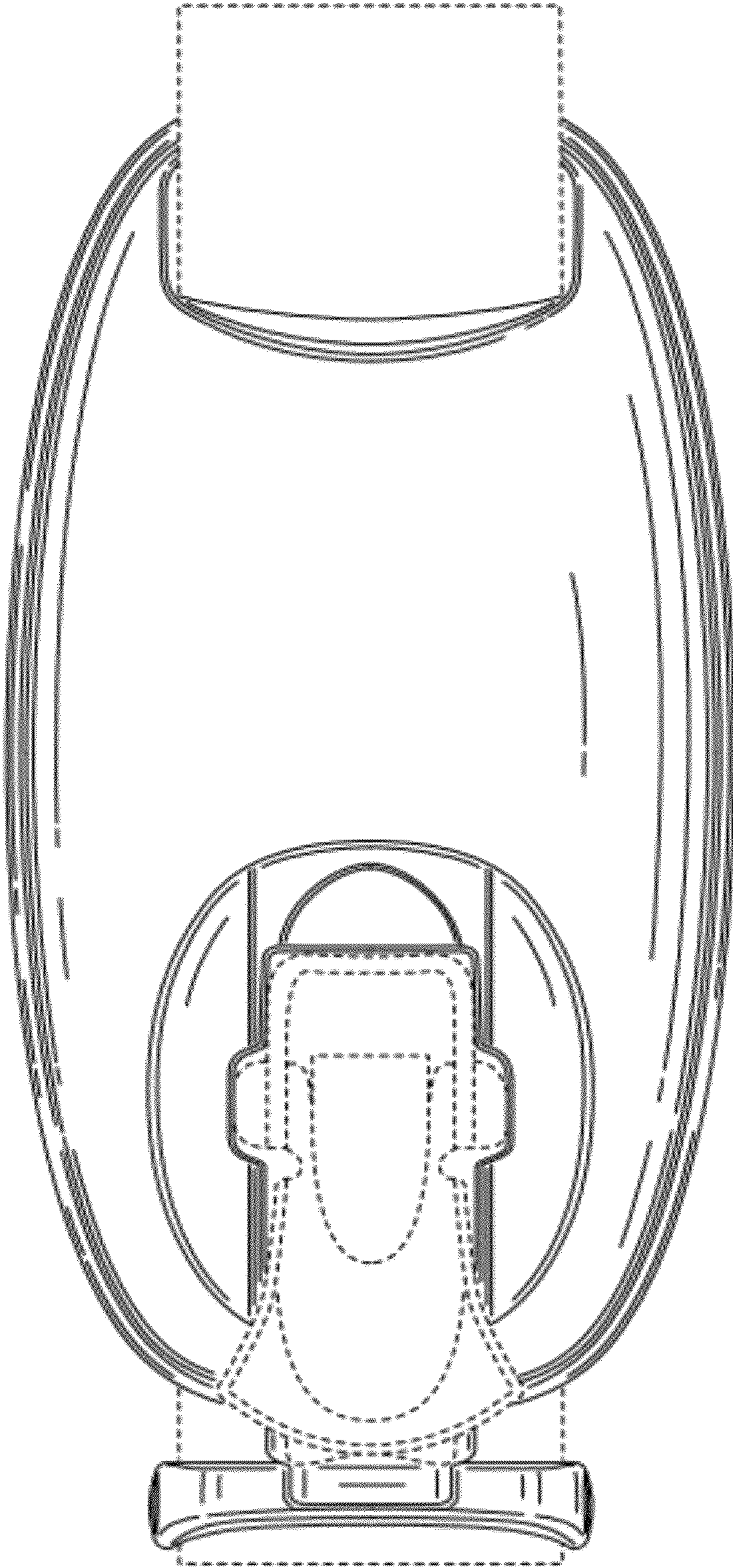


FIG. 6

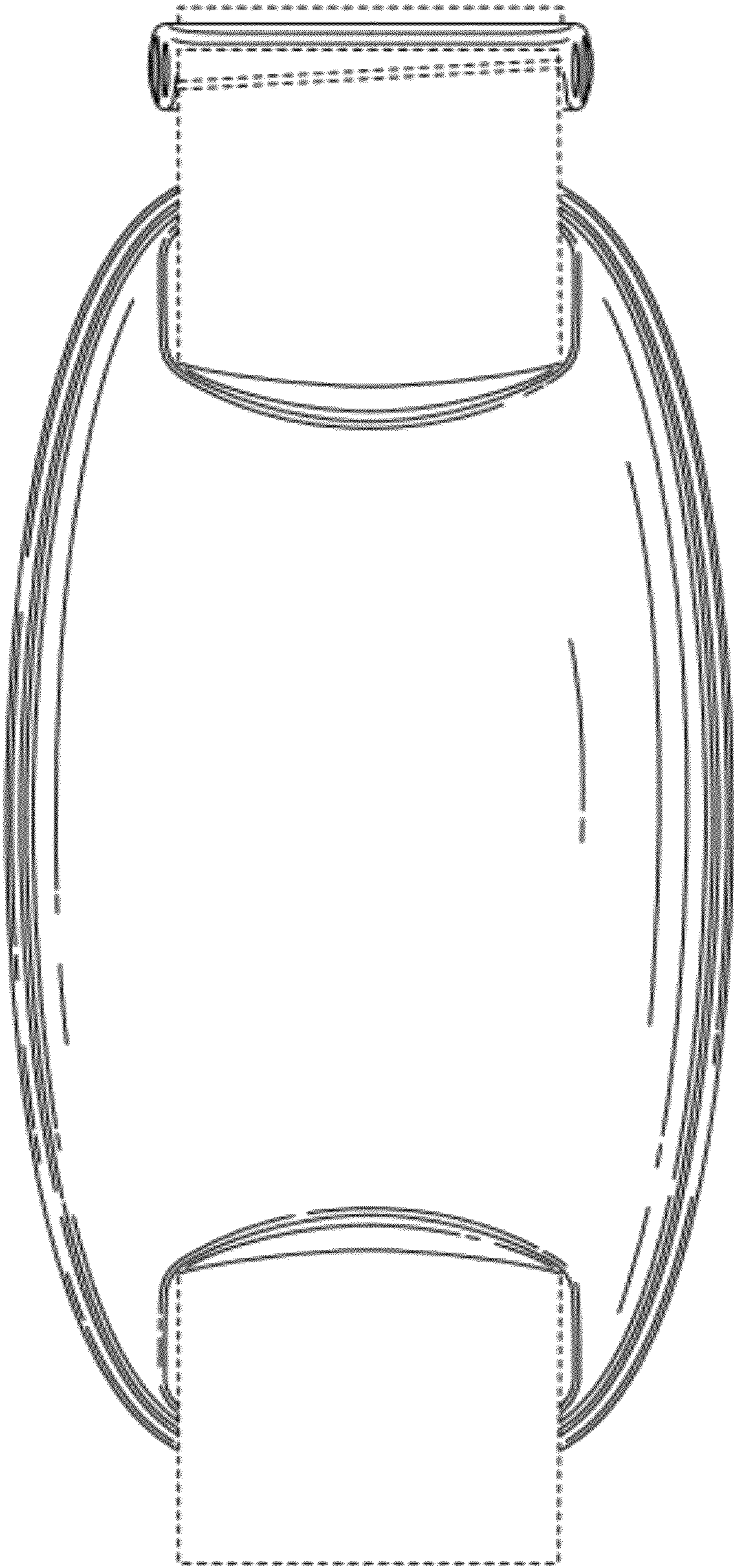


FIG. 7

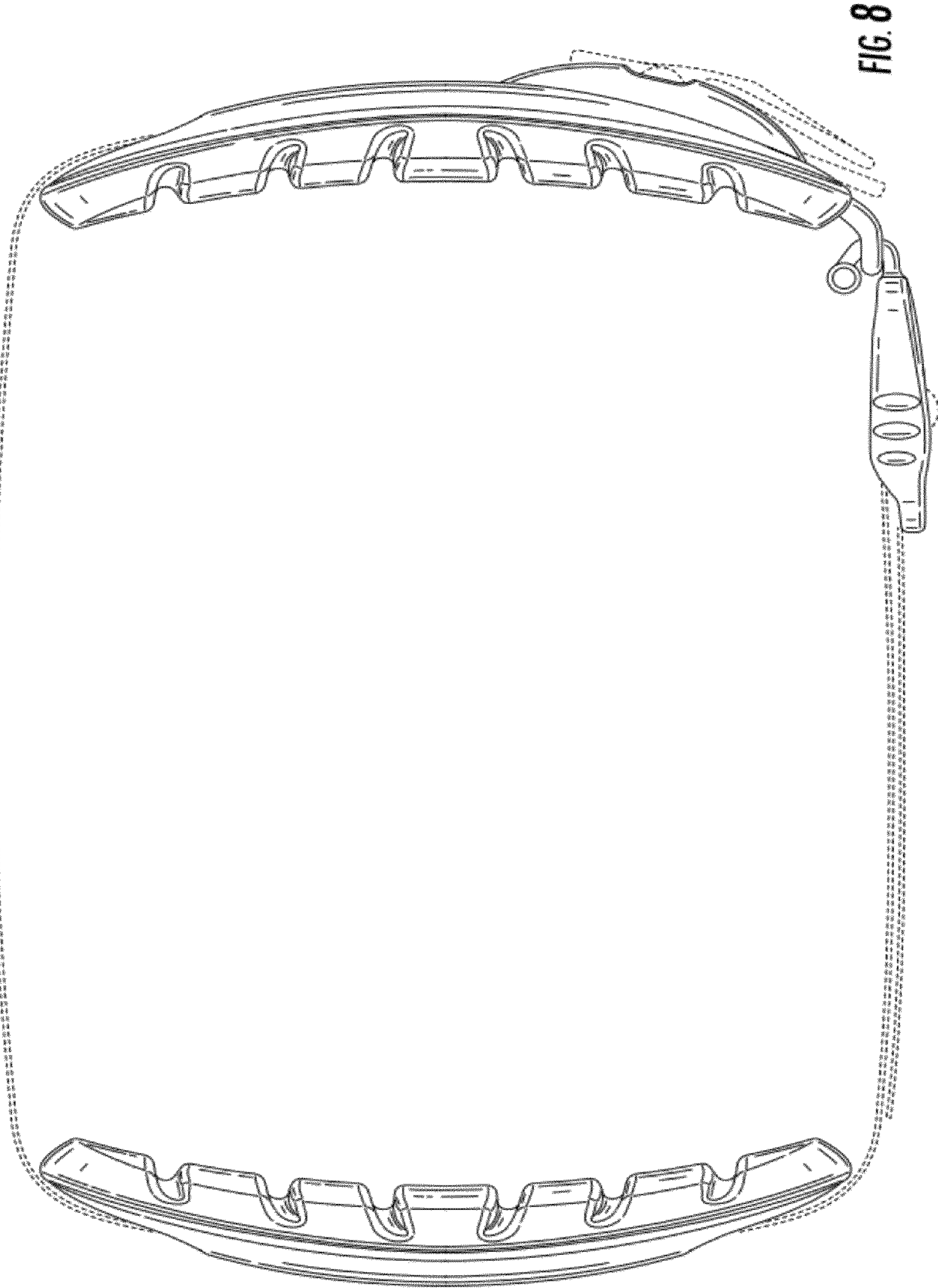


FIG. 8

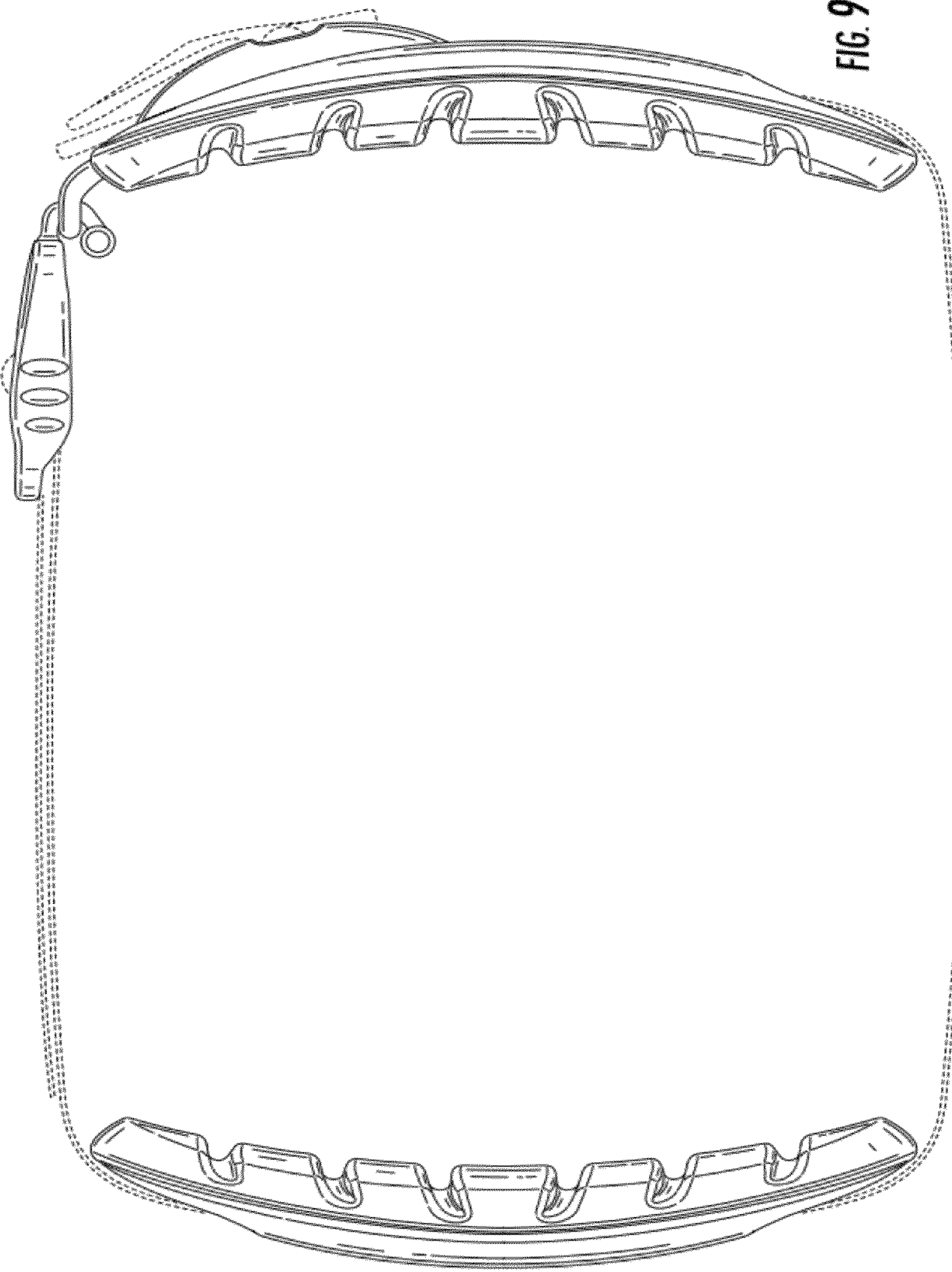


FIG. 9