



US00D663028S

(12) **United States Design Patent**  
**Slayton**

(10) **Patent No.:** **US D663,028 S**

(45) **Date of Patent:** **\*\* Jul. 3, 2012**

(54) **APPLICATOR**

(75) Inventor: **Nancy Deters Slayton**, Springfield Township, OH (US)

(73) Assignee: **The Procter & Gamble Company**, Cincinnati, OH (US)

(\*\*) Term: **14 Years**

(21) Appl. No.: **29/396,143**

(22) Filed: **Jun. 27, 2011**

(51) **LOC (9) Cl.** ..... **24-02**

(52) **U.S. Cl.** ..... **D24/141**

(58) **Field of Classification Search** ..... D24/141,  
D24/135, 125; 604/11, 14-15, 18, 363, 364,  
604/385.01, 385.17, 904; D5/53, 64  
See application file for complete search history.

(56) **References Cited**

**U.S. PATENT DOCUMENTS**

D415,565	S *	10/1999	Hayes et al. ....	D24/141
6,368,442	B1 *	4/2002	Linares et al. ....	604/11
6,572,577	B1 *	6/2003	Binner et al. ....	604/15
6,610,025	B2 *	8/2003	Berg et al. ....	604/14
D515,212	S *	2/2006	Edgett et al. ....	D24/141
D559,983	S *	1/2008	Edgett et al. ....	D24/141
D572,362	S *	7/2008	Edgett et al. ....	D24/141
D602,588	S *	10/2009	VanDenBogart et al. ...	D24/141
7,727,208	B2 *	6/2010	Lemay et al. ....	604/385.17
D620,592	S *	7/2010	VanDenBogart et al. ...	D24/141
2007/0156080	A1 *	7/2007	Loyd et al. ....	604/15
2010/0016780	A1 *	1/2010	Vandenbogat et al. ....	604/15

2010/0204636	A1 *	8/2010	Lemay et al. ....	604/15
2011/0152742	A1 *	6/2011	Winkel et al. ....	604/15
2011/0190687	A1 *	8/2011	Slayton et al. ....	604/15

**OTHER PUBLICATIONS**

Premium plastic applicator tampon. Copyright 1999-2012. [Retrieved on Feb. 27, 2012]. Retrieved from the Internet: <URL: [http://www.diytrade.com/china/4/products/6715490/Premium\\_plastic\\_applicator\\_tampon....](http://www.diytrade.com/china/4/products/6715490/Premium_plastic_applicator_tampon....)>.\*

\* cited by examiner

*Primary Examiner* — Wan Laymon

(74) *Attorney, Agent, or Firm* — Andrew J. Hagerty

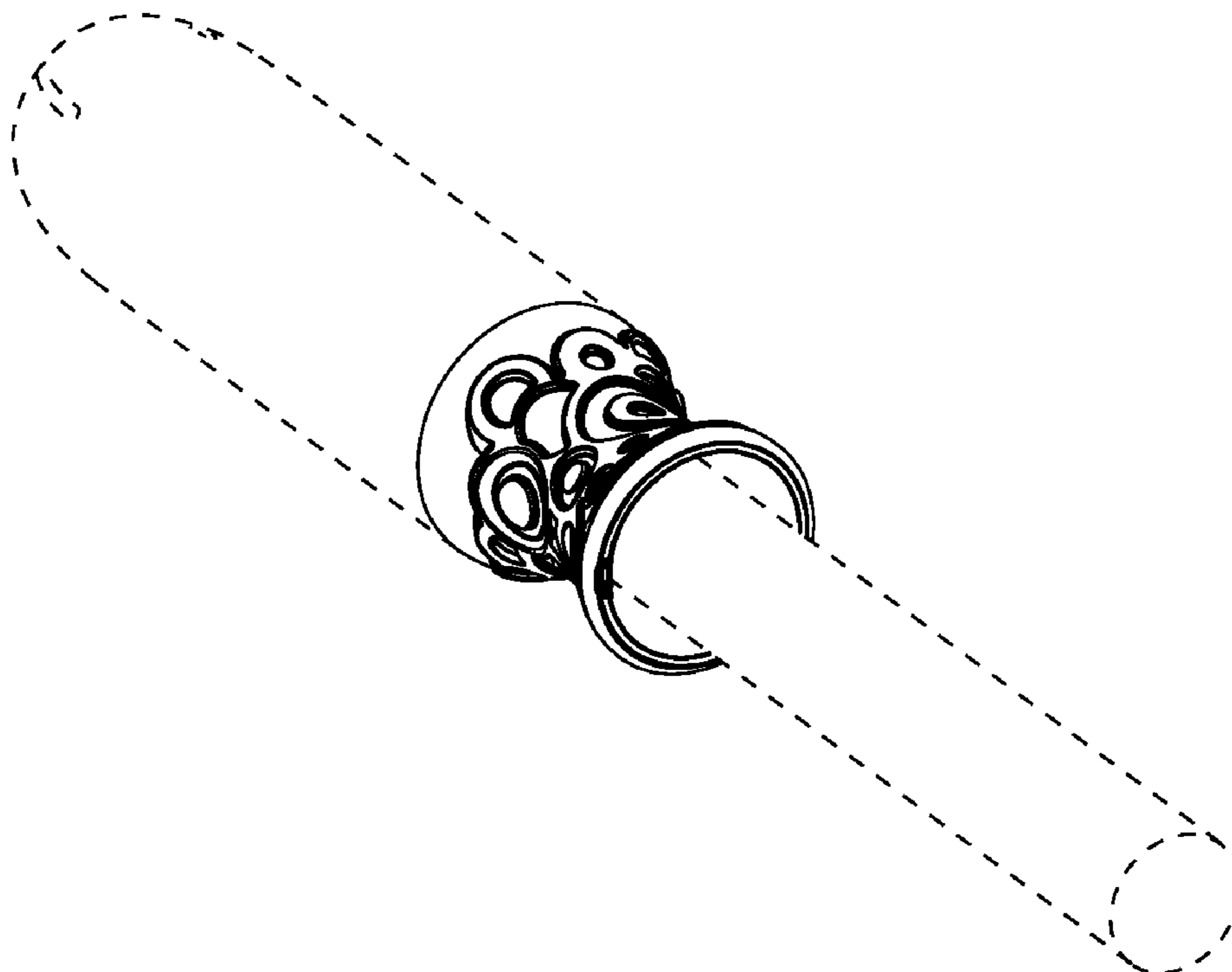
(57) **CLAIM**

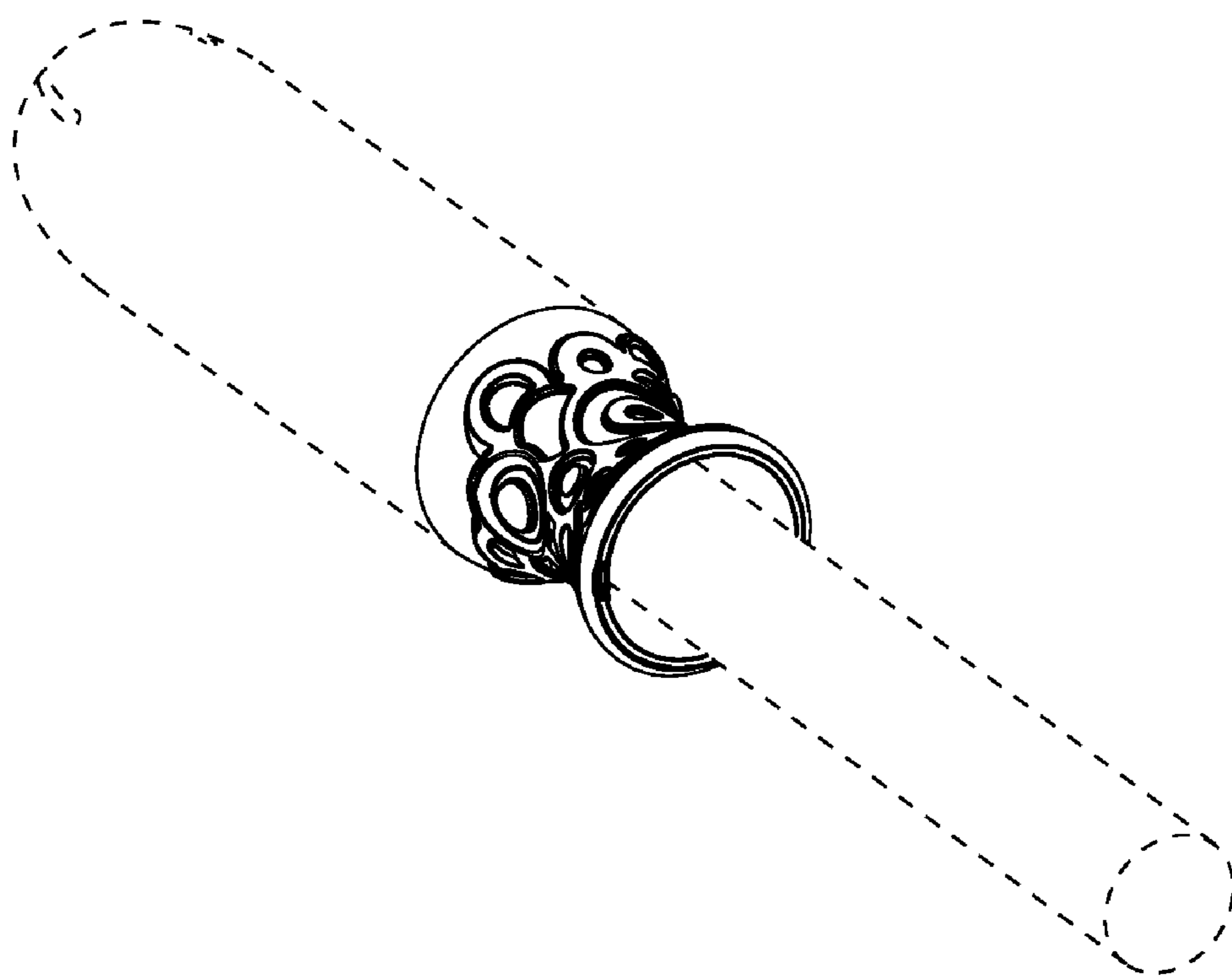
The ornamental design for an applicator, as shown and described.

**DESCRIPTION**

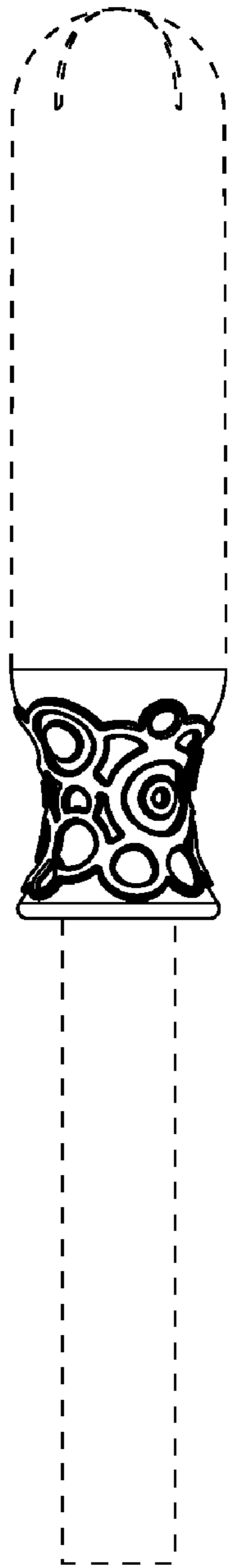
FIG. 1 is a perspective front view of an embodiment of an applicator embodying the new design; FIG. 2 is a front view of the design shown in FIG. 1; FIG. 3 is a rear view of the design shown in FIG. 1; FIG. 4 is a right side view of the design shown in FIG. 1; FIG. 5 is a left side view of the design shown in FIG. 1; FIG. 6 is a top view of the design shown in FIG. 1; and, FIG. 7 is a bottom view of the design shown in FIG. 1. Broken lines shown in the figures are for illustrative purposes only and form no part of the claimed design.

**1 Claim, 4 Drawing Sheets**





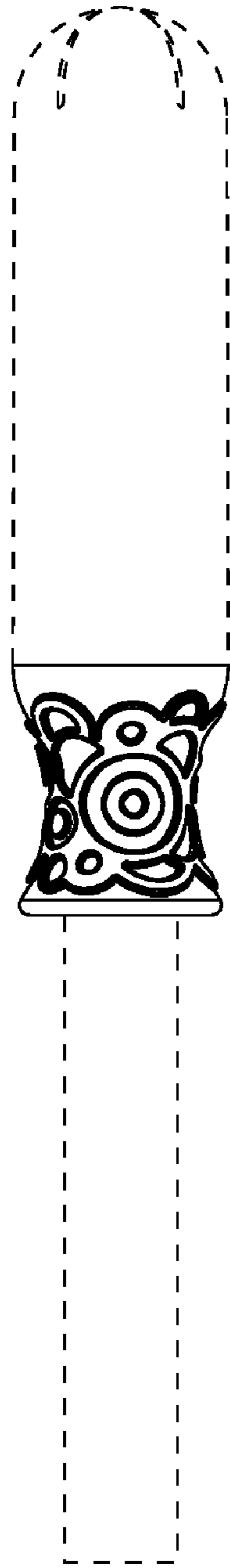
**Fig. 1**



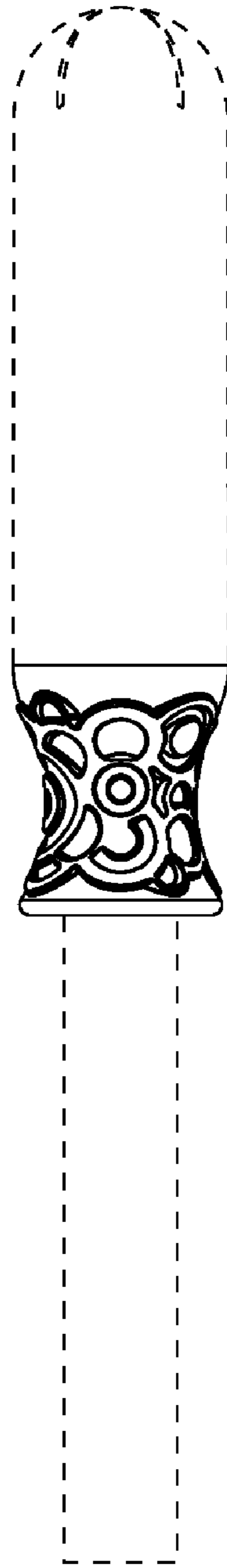
**Fig. 2**



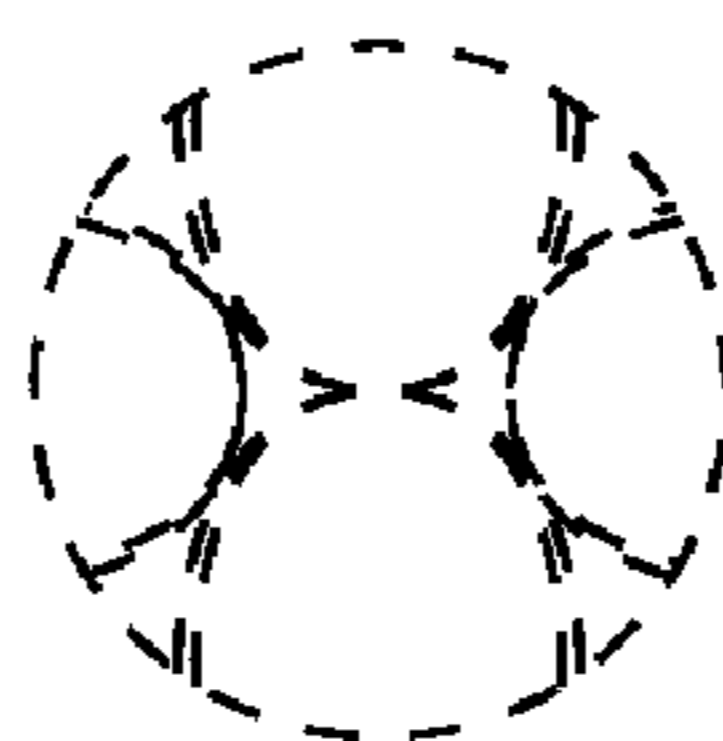
**Fig. 3**



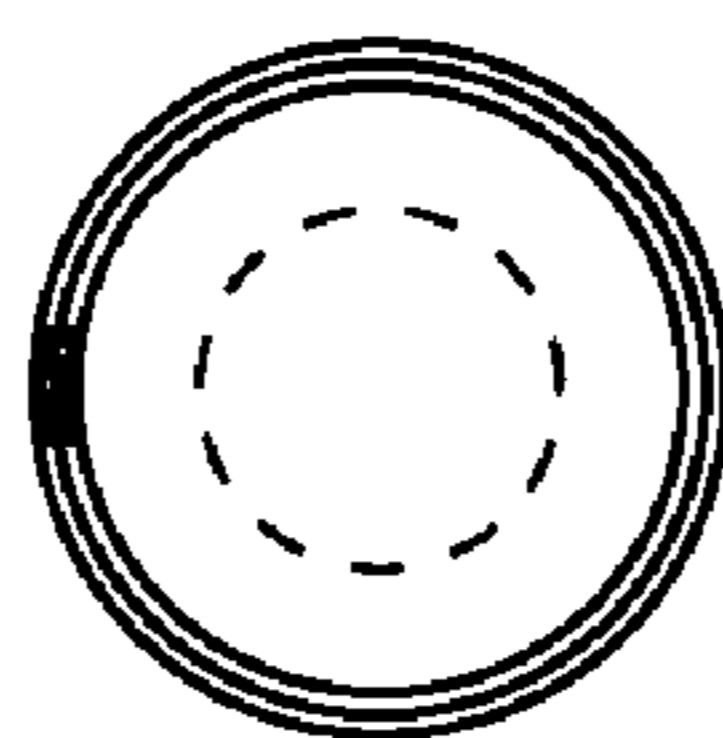
**Fig. 4**



**Fig. 5**



**Fig. 6**



**Fig. 7**