

US00D663027S

(12) **United States Design Patent**  
**Halder**

(10) **Patent No.:** **US D663,027 S**

(45) **Date of Patent:** **\*\* Jul. 3, 2012**

(54) **BRONCHOSCOPE**

(75) Inventor: **Raimund Halder**, Aach (DE)

(73) Assignee: **Karl Storz GmbH & Co. KG** (DE)

(\*\*) Term: **14 Years**

(21) Appl. No.: **29/391,888**

(22) Filed: **May 13, 2011**

(30) **Foreign Application Priority Data**

Nov. 15, 2010 (EM) ..... 001781360-0003

(51) **LOC (9) Cl.** ..... **24-02**

(52) **U.S. Cl.** ..... **D24/137**

(58) **Field of Classification Search** ..... D24/138,  
D24/137, 133; 600/101-183

See application file for complete search history.

(56) **References Cited**

**U.S. PATENT DOCUMENTS**

5,383,876	A *	1/1995	Nardella	.....	606/49
D367,324	S *	2/1996	McCarthy et al.	.....	D24/112
5,843,039	A *	12/1998	Klemm	.....	604/164.01
D570,479	S *	6/2008	Rehbein et al.	.....	D24/133
D570,480	S *	6/2008	Rehbein et al.	.....	D24/133
D570,482	S *	6/2008	Bettocchi	.....	D24/138
D596,291	S *	7/2009	Berberich et al.	.....	D24/133
7,658,711	B2 *	2/2010	Klemm	.....	600/182
D620,108	S *	7/2010	Eitenmueller et al.	.....	D24/144

D621,937	S *	8/2010	Efinger et al.	.....	D24/137
D629,099	S *	12/2010	Kilani	.....	D24/133
D631,545	S *	1/2011	Halder et al.	.....	D24/137
D639,943	S *	6/2011	Bettocchi	.....	D24/137

\* cited by examiner

*Primary Examiner* — Bridget L Eland

(74) *Attorney, Agent, or Firm* — St. Onge Steward Johnston & Reens LLC

(57) **CLAIM**

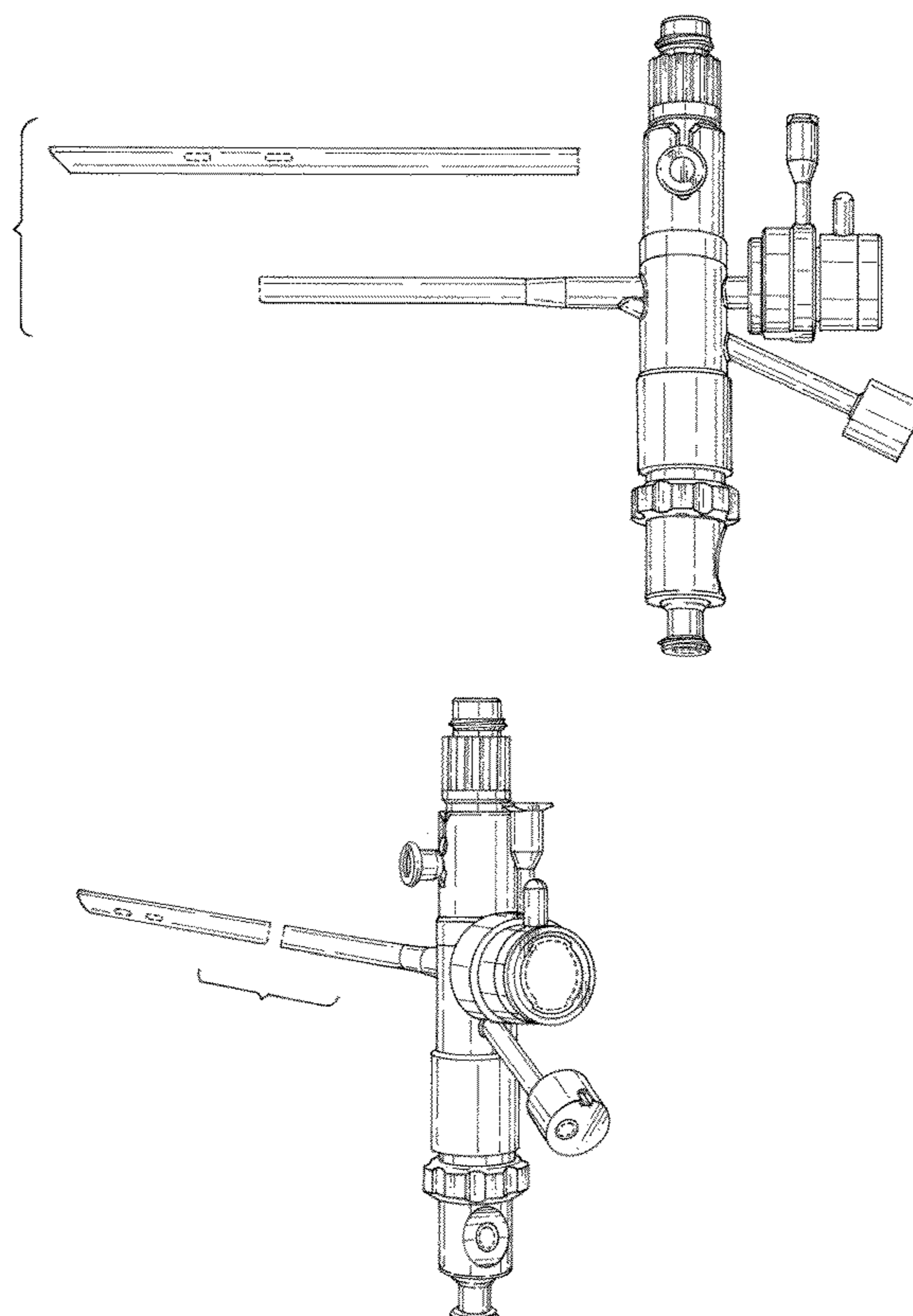
The ornamental design for a bronchoscope, as shown and described.

**DESCRIPTION**

FIG. 1 is a bottom left side isometric view of a bronchoscope in accordance with the new design; FIG. 2 is a left side isometric view thereof; FIG. 3 is a right side isometric view thereof; FIG. 4 is a front isometric view thereof; FIG. 5 is a rear isometric view thereof; FIG. 6 is a top isometric view thereof; and, FIG. 7 is a bottom isometric view thereof.

In FIGS. 1-7 the bracket and broken line separation are used to indicate that, for ease of illustration, no particular length is claimed. The broken lines immediately adjacent to the shaded areas in FIGS. 1-7 represent the bounds of the claimed design, with the lines themselves and the areas within them forming no part of the claim.

**1 Claim, 7 Drawing Sheets**



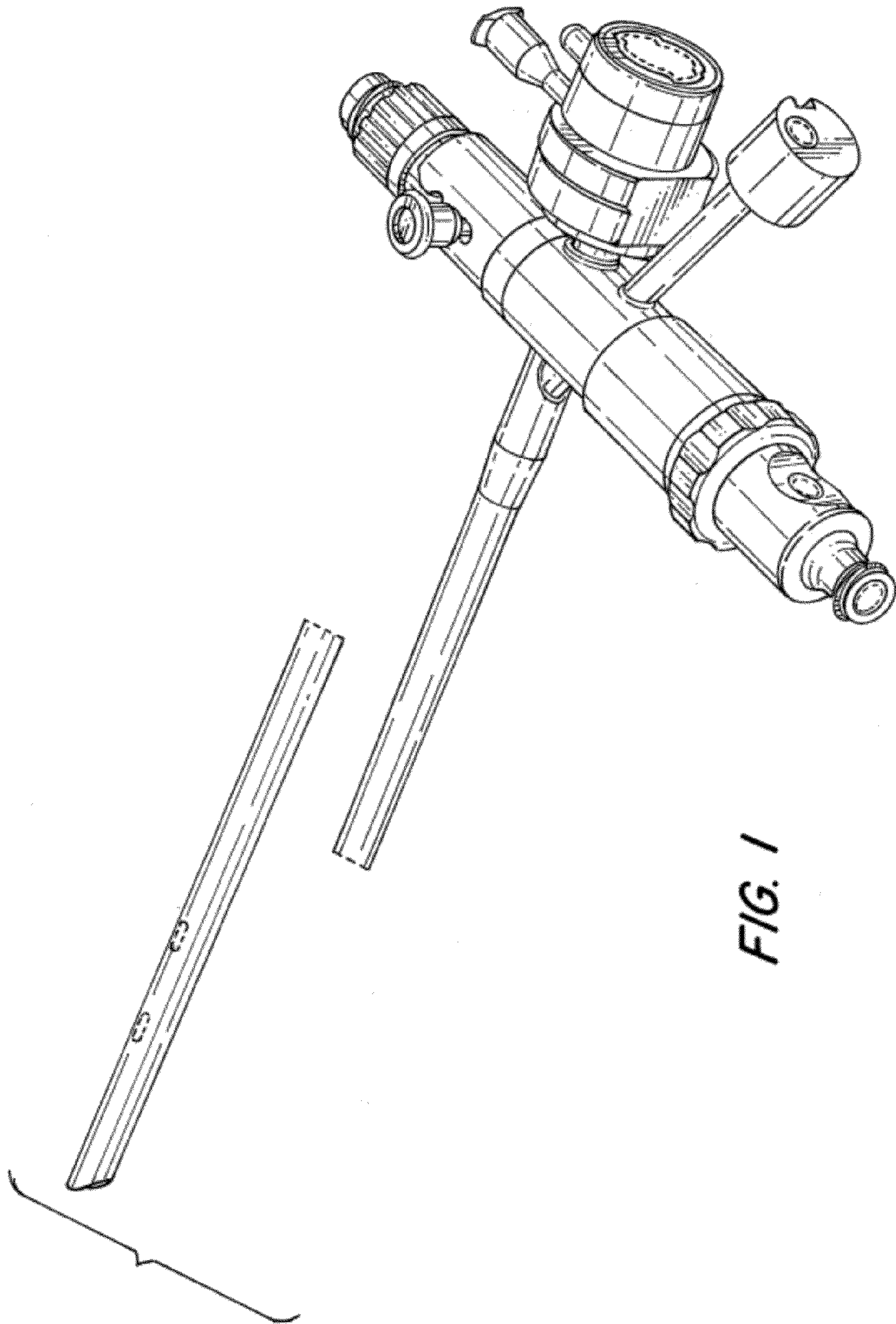


FIG. 1

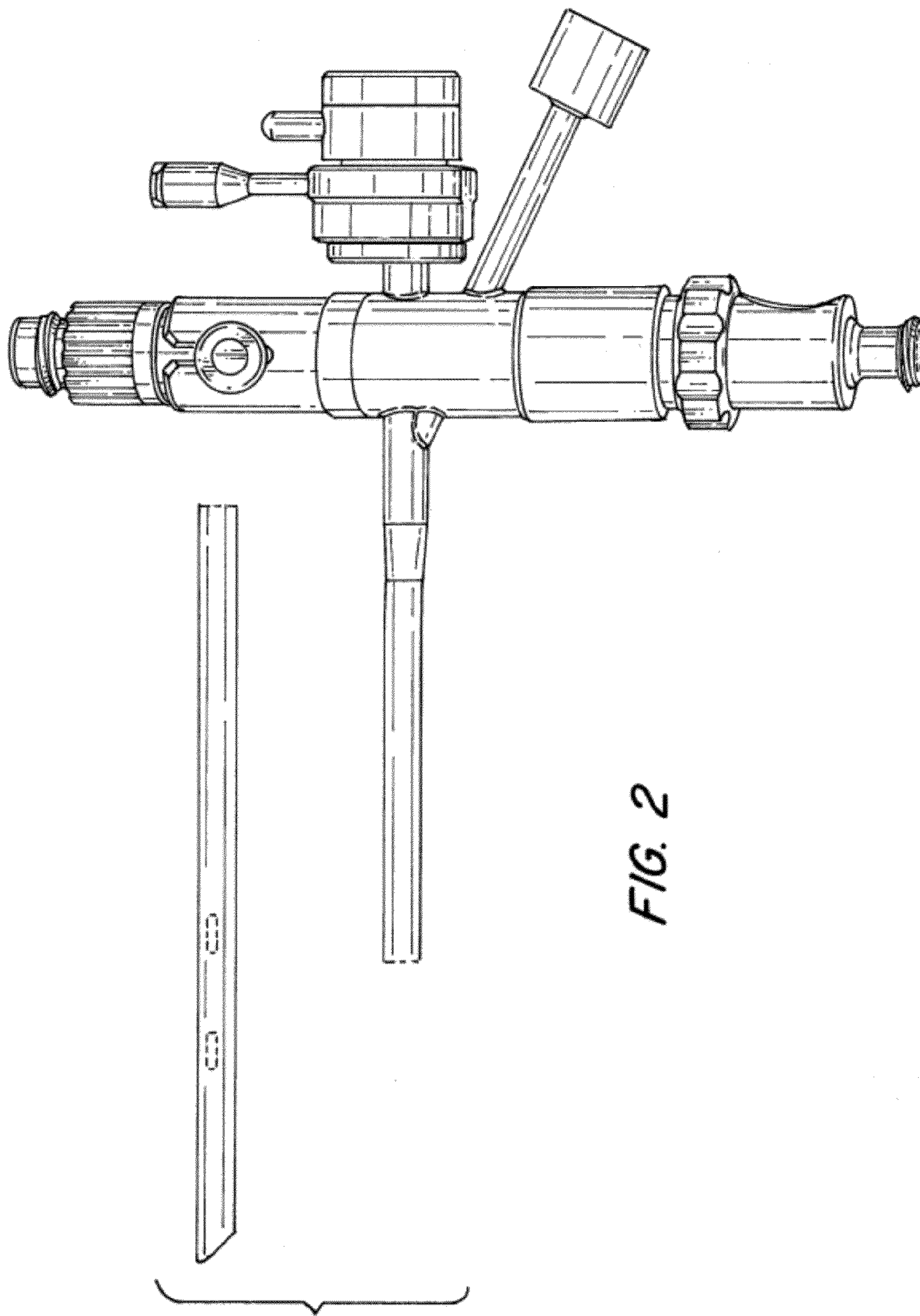


FIG. 2

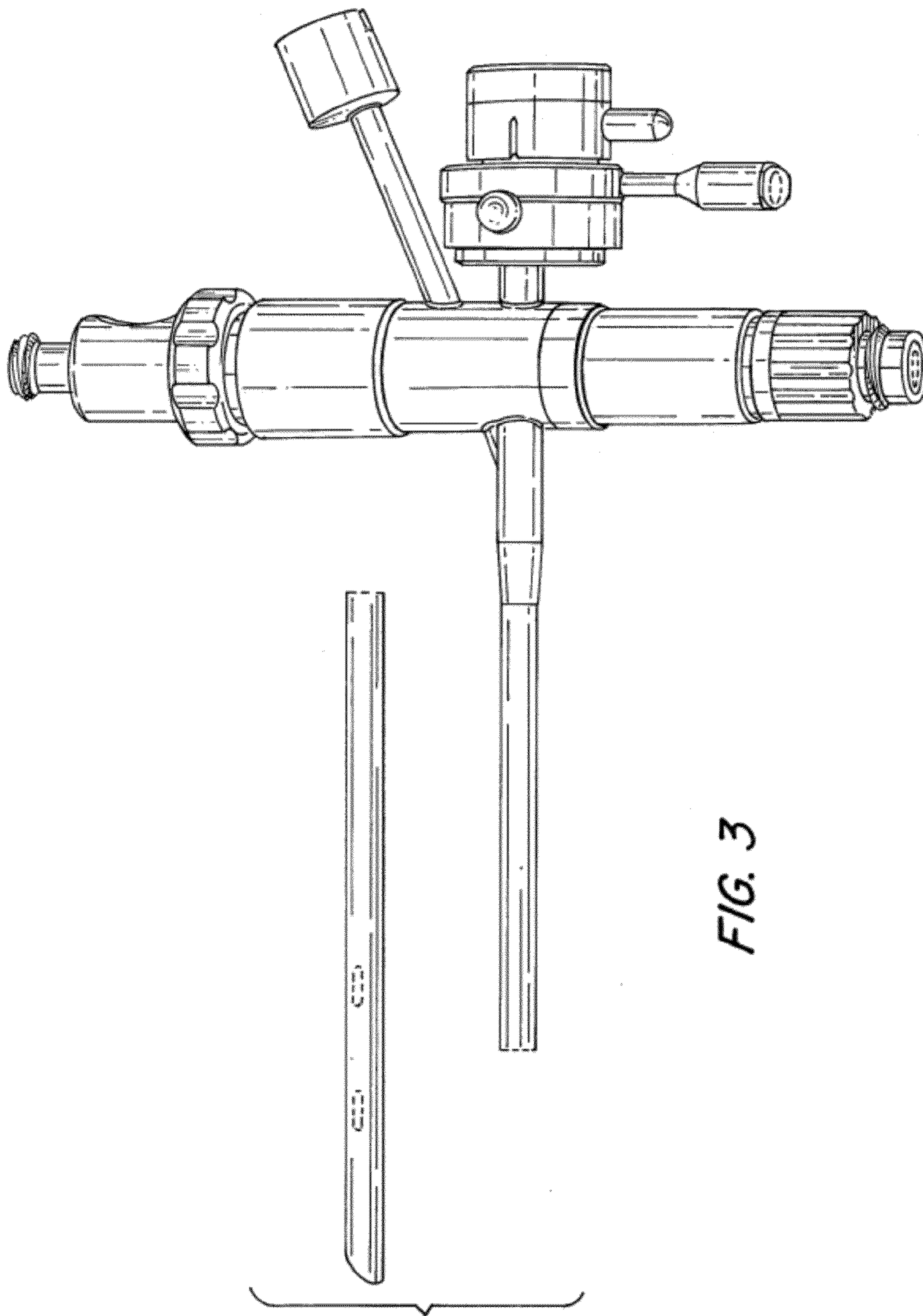


FIG. 3

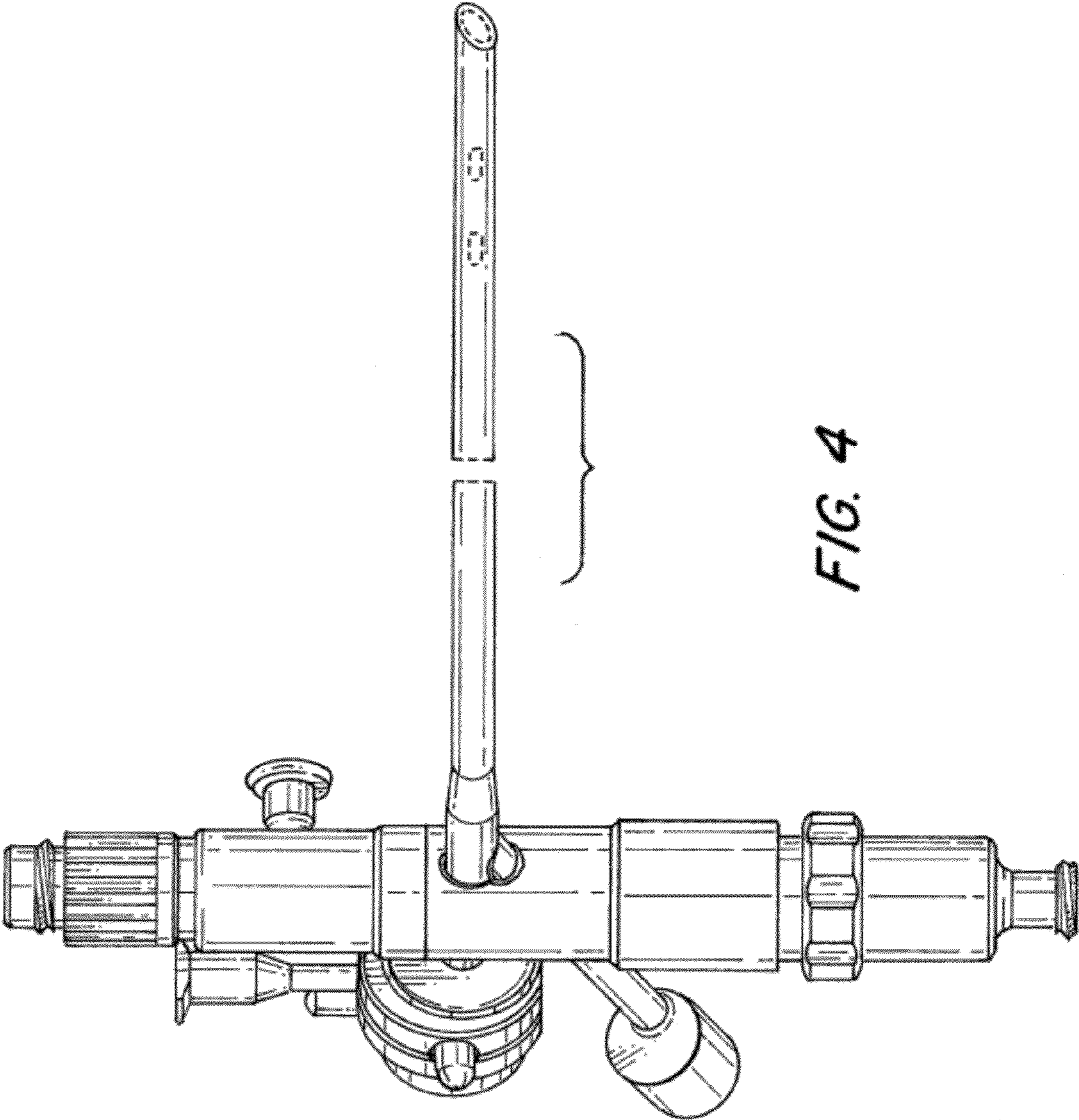
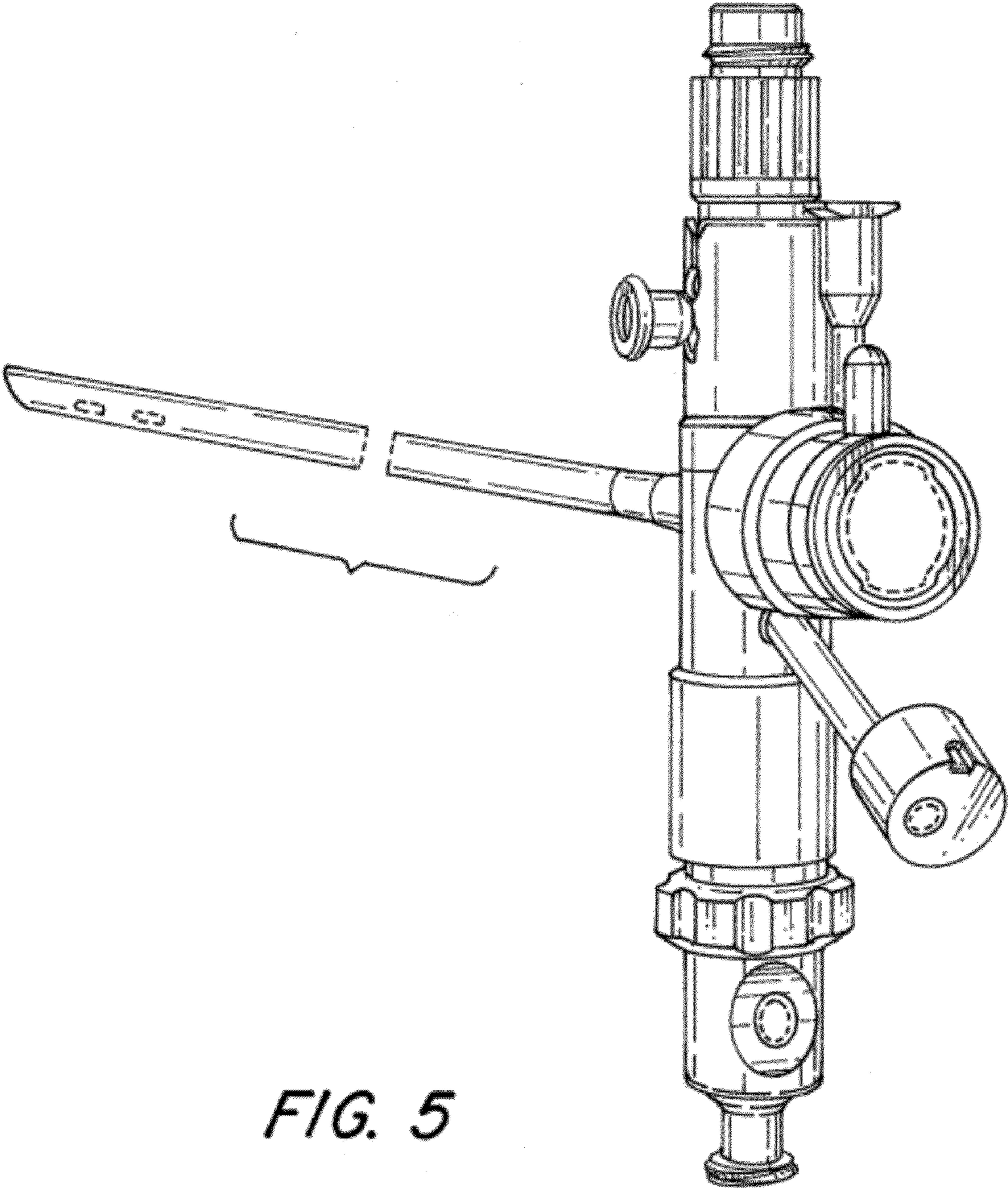


FIG. 4



*FIG. 5*

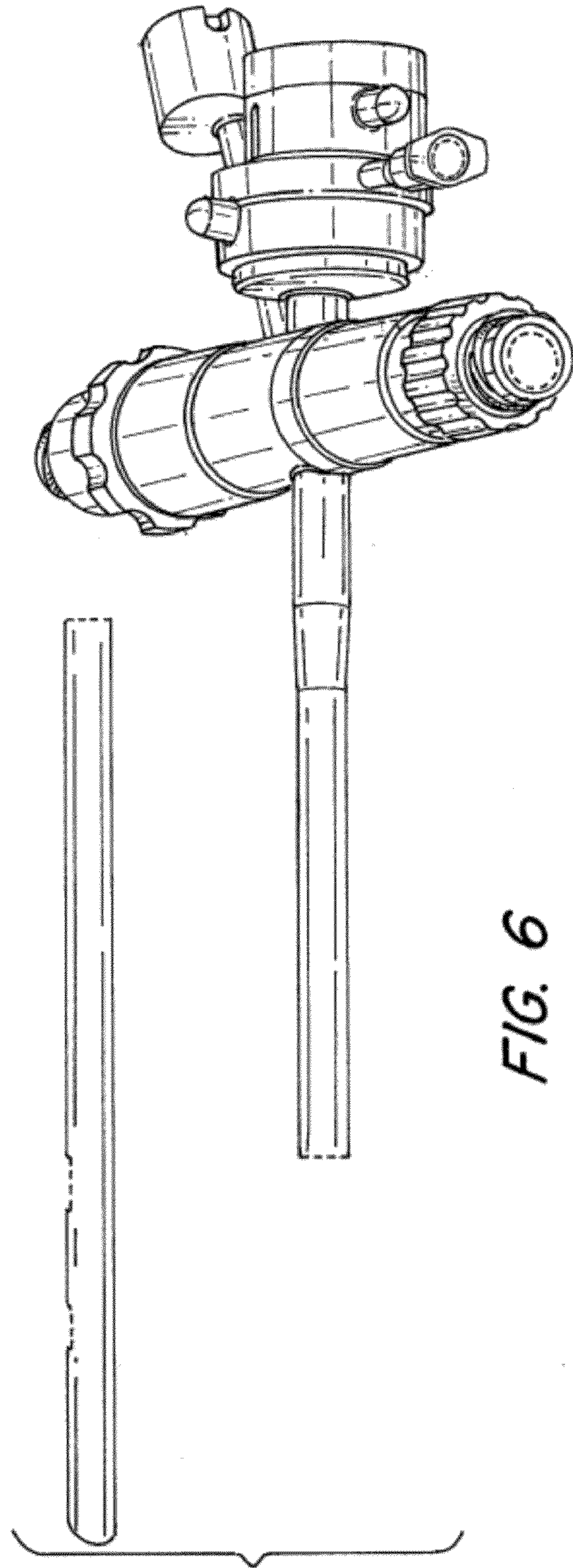


FIG. 6

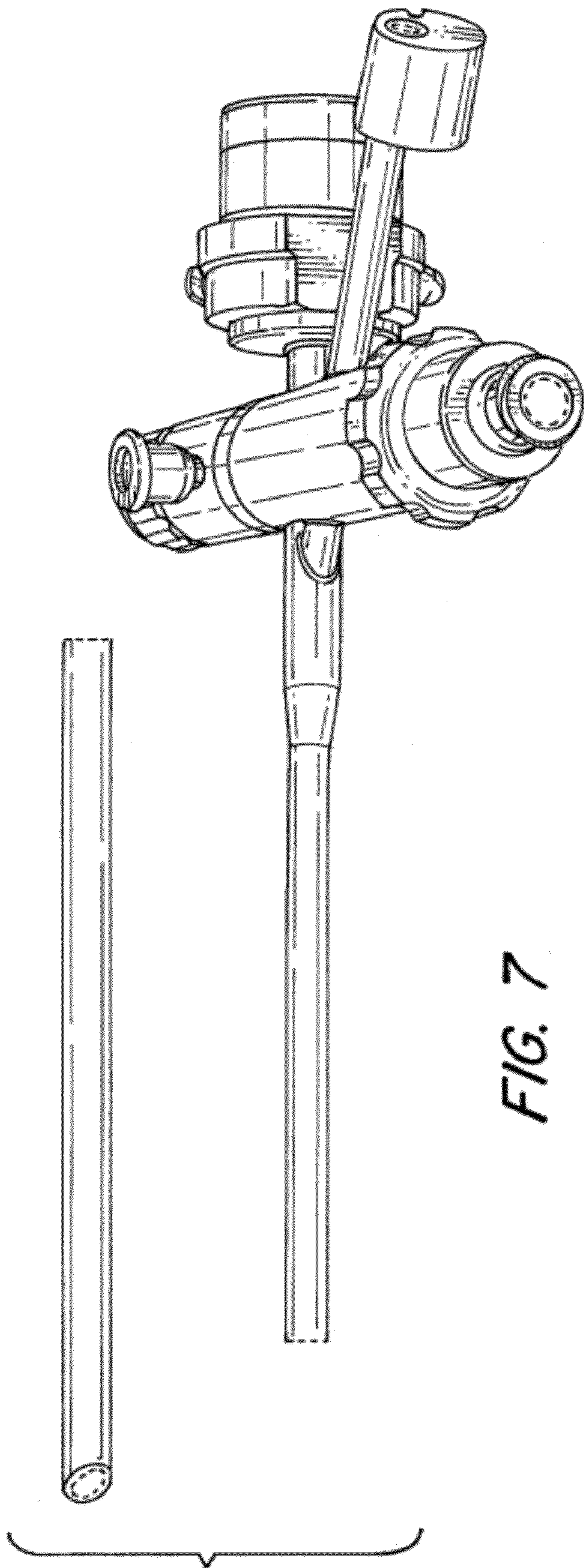


FIG. 7