

US00D663026S

(12) **United States Design Patent**  
**McGrail et al.**

(10) **Patent No.:** **US D663,026 S**  
(45) **Date of Patent:** **\*\* Jul. 3, 2012**

(54) **VISUALIZATION INSTRUMENT**

(75) Inventors: **Thomas W. McGrail**, Cicero, IN (US); **Yun Siung Tony Yeh**, Libertyville, IL (US); **David J. Miller**, Noblesville, IN (US); **Kristin Jugenheimer Size**, Waltham, MA (US); **Randal B. Chinnock**, Eastford, CT (US); **George Grubner**, Needham, MA (US); **Elizabeth Powell Goodrich**, Roslindale, MA (US); **Paul Crosby Gregory**, Watertown, MA (US); **Gary Vincent Palladino**, Cambridge, MA (US); **Brian Hack**, Cambridge, MA (US)

(73) Assignee: **King Systems Corporation**, Noblesville, IN (US)

(\*\*) Term: **14 Years**

(21) Appl. No.: **29/369,071**

(22) Filed: **Sep. 1, 2010**

(51) **LOC (9) Cl.** ..... **24-02**

(52) **U.S. Cl.** ..... **D24/137**

(58) **Field of Classification Search** ..... D24/137, D24/133, 135, 136, 138; 600/185-199, 184, 600/200; 606/196, 191-195, 197-200

See application file for complete search history.

(56) **References Cited**

U.S. PATENT DOCUMENTS

3,986,854 A 10/1976 Scrivo et al.  
(Continued)

OTHER PUBLICATIONS

Coopdech VLP-100 Video Laryngoscope advertising in fero-medic.com web page; last accessed on Aug. 31, 2010 at <http://www.fero-medic.com>; 1 page.

(Continued)

*Primary Examiner* — Bridget L Eland

(74) *Attorney, Agent, or Firm* — Faegre Baker Daniels LLP

(57) **CLAIM**

The ornamental design for the visualization instrument, as shown and described.

**DESCRIPTION**

This invention was made with government support under Award W81XWH-06-1-0019 awarded by the U.S. Army. The government has certain rights in the invention.

FIG. 1 is a front elevation view of a first embodiment of a visualization instrument of the present design;

FIG. 2 is a front perspective view of the visualization instrument shown in FIG. 1;

FIG. 3 is a right elevation view of the visualization instrument shown in FIG. 1;

FIG. 4 is a left elevation view of the visualization instrument shown in FIG. 1;

FIG. 5 is a rear perspective view of the visualization instrument shown in FIG. 1;

FIG. 6 is a rear elevation view of the visualization instrument shown in FIG. 1;

FIG. 7 is a top plan view of the visualization instrument shown in FIG. 1;

FIG. 8 is a bottom plan view of the visualization instrument shown in FIG. 1;

FIG. 9 is a front elevation view of a second embodiment of a visualization instrument of the present design;

FIG. 10 is a front perspective view of the visualization instrument shown in FIG. 9;

FIG. 11 is a right elevation view of the visualization instrument shown in FIG. 9;

FIG. 12 is a left elevation view of the visualization instrument shown in FIG. 9;

FIG. 13 is a rear perspective view of the visualization instrument shown in FIG. 9;

FIG. 14 is a rear elevation view of the visualization instrument shown in FIG. 9;

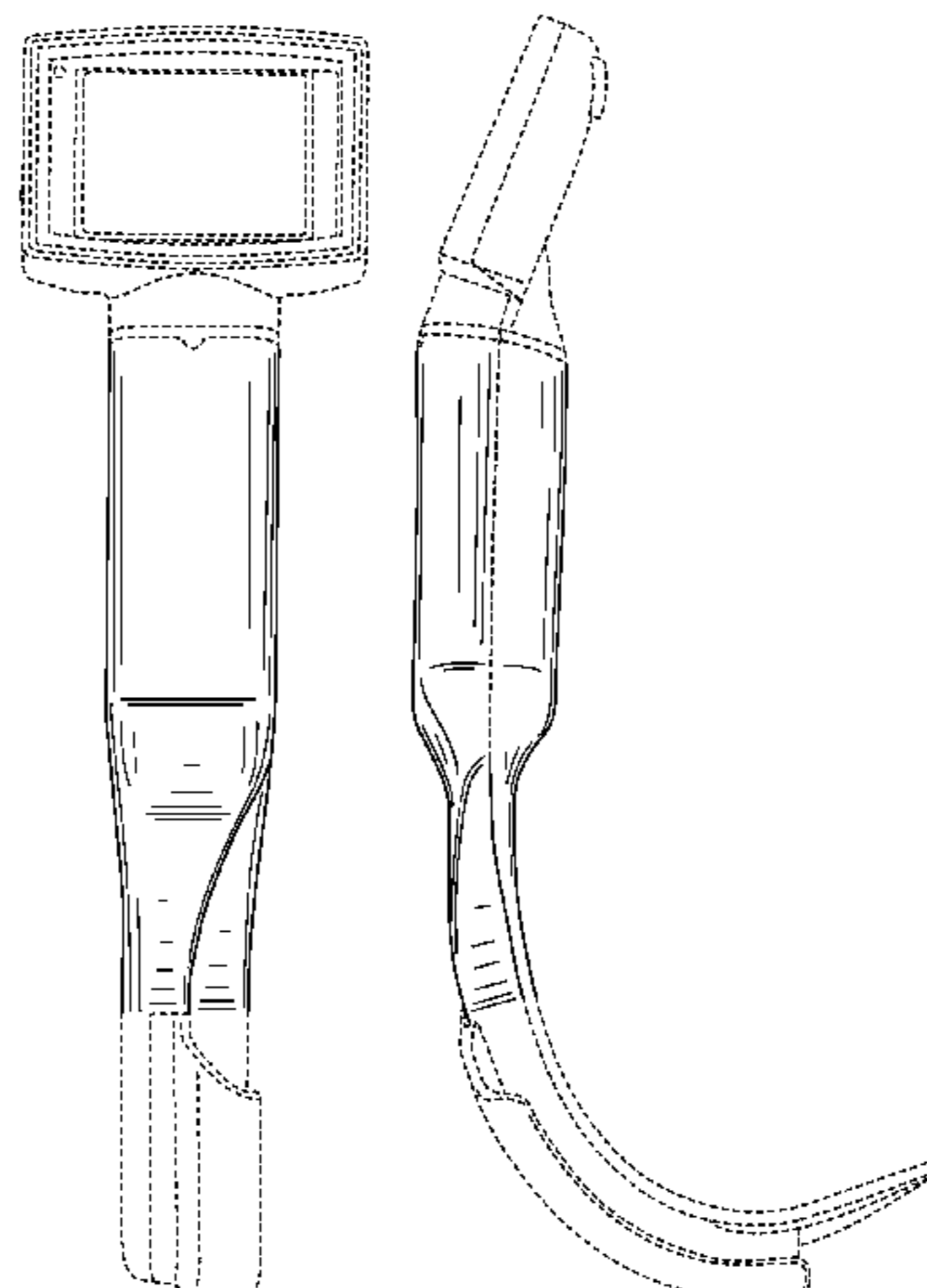
FIG. 15 is a top plan view of the visualization instrument shown in FIG. 9; and,

FIG. 16 is a bottom plan view of the visualization instrument shown in FIG. 9.

The second embodiment shows the addition of stipple shading to indicate contrast.

The broken lines are directed to environment and are for illustrative purposes only; the broken lines form no part of the claimed design.

**1 Claim, 14 Drawing Sheets**



U.S. PATENT DOCUMENTS

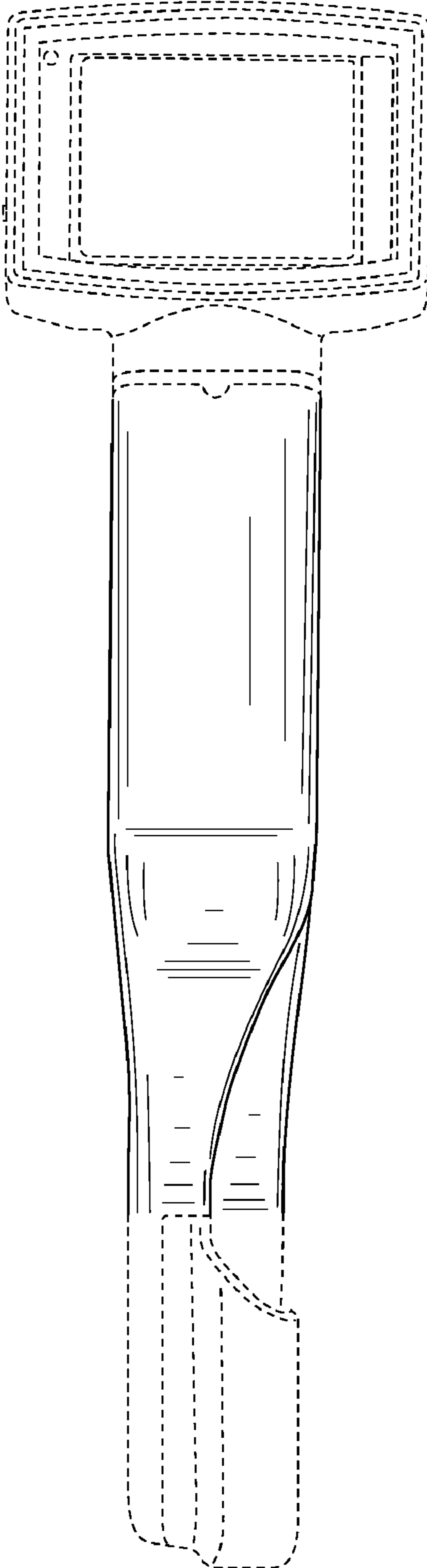
4,742,819 A \* 5/1988 George ..... 600/109  
 5,203,320 A 4/1993 Augustine  
 5,261,392 A 11/1993 Wu  
 D358,471 S \* 5/1995 Cope et al. .... D24/137  
 5,827,178 A 10/1998 Berall  
 6,139,489 A 10/2000 Wampler et al.  
 6,652,453 B2 11/2003 Smith et al.  
 6,655,377 B2 12/2003 Pacey  
 6,890,298 B2 5/2005 Berci et al.  
 D534,652 S 1/2007 McGrath  
 7,156,091 B2 1/2007 Koyama et al.  
 7,182,728 B2 2/2007 Cubb et al.  
 7,448,377 B2 11/2008 Koyama et al.  
 D618,794 S \* 6/2010 Onuma ..... D24/137  
 D619,248 S \* 7/2010 Yokota ..... D24/137  
 7,771,350 B2 8/2010 Geist et al.  
 D637,715 S \* 5/2011 Clarke et al. .... D24/137  
 D637,717 S \* 5/2011 Clarke et al. .... D24/137  
 D651,711 S \* 1/2012 McGrath et al. .... D24/137  
 2003/0195390 A1 10/2003 Graumann  
 2004/0019256 A1 \* 1/2004 Cubb et al. .... 600/188  
 2005/0090712 A1 4/2005 Cubb  
 2005/0159649 A1 7/2005 Patel  
 2006/0276693 A1 12/2006 Pacey  
 2006/0276694 A1 12/2006 Gandarias  
 2007/0016122 A1 1/2007 Bowman  
 2007/0093693 A1 4/2007 Geist et al.  
 2007/0106117 A1 5/2007 Yokota  
 2007/0179342 A1 8/2007 Miller  
 2008/0004498 A1 1/2008 Pecherer  
 2008/0064926 A1 3/2008 Chen  
 2008/0177148 A1 7/2008 Chen et al.  
 2008/0249355 A1 10/2008 Birnkrant  
 2008/0249370 A1 10/2008 Birnkrant et al.  
 2008/0300475 A1 12/2008 Jaeger et al.  
 2008/0312507 A1 12/2008 Kim  
 2009/0032016 A1 2/2009 Law et al.  
 2009/0114217 A1 5/2009 Wulfsohn et al.  
 2009/0287059 A1 11/2009 Patel  
 2009/0318758 A1 12/2009 Farr et al.  
 2009/0318768 A1 12/2009 Tenger et al.  
 2009/0318769 A1 12/2009 Tenger et al.  
 2009/0322867 A1 12/2009 Carrey et al.  
 2010/0069722 A1 3/2010 Shalman et al.  
 2010/0094090 A1 4/2010 Mejia  
 2010/0101569 A1 4/2010 Kim et al.  
 2010/0121152 A1 5/2010 Boedeker  
 2010/0152541 A1 6/2010 Tenger et al.

2010/0168521 A1 7/2010 Gandarias  
 2010/0261967 A1 10/2010 Pacey et al.  
 2010/0261968 A1 10/2010 Nearman et al.  
 2010/0288272 A1 11/2010 Yokota et al.  
 2011/0130627 A1 \* 6/2011 McGrail et al. .... 600/109  
 2011/0130632 A1 \* 6/2011 McGrail et al. .... 600/188  
 2011/0270038 A1 \* 11/2011 Jiang et al. .... 600/188  
 2011/0306839 A1 \* 12/2011 Young et al. .... 600/188

OTHER PUBLICATIONS

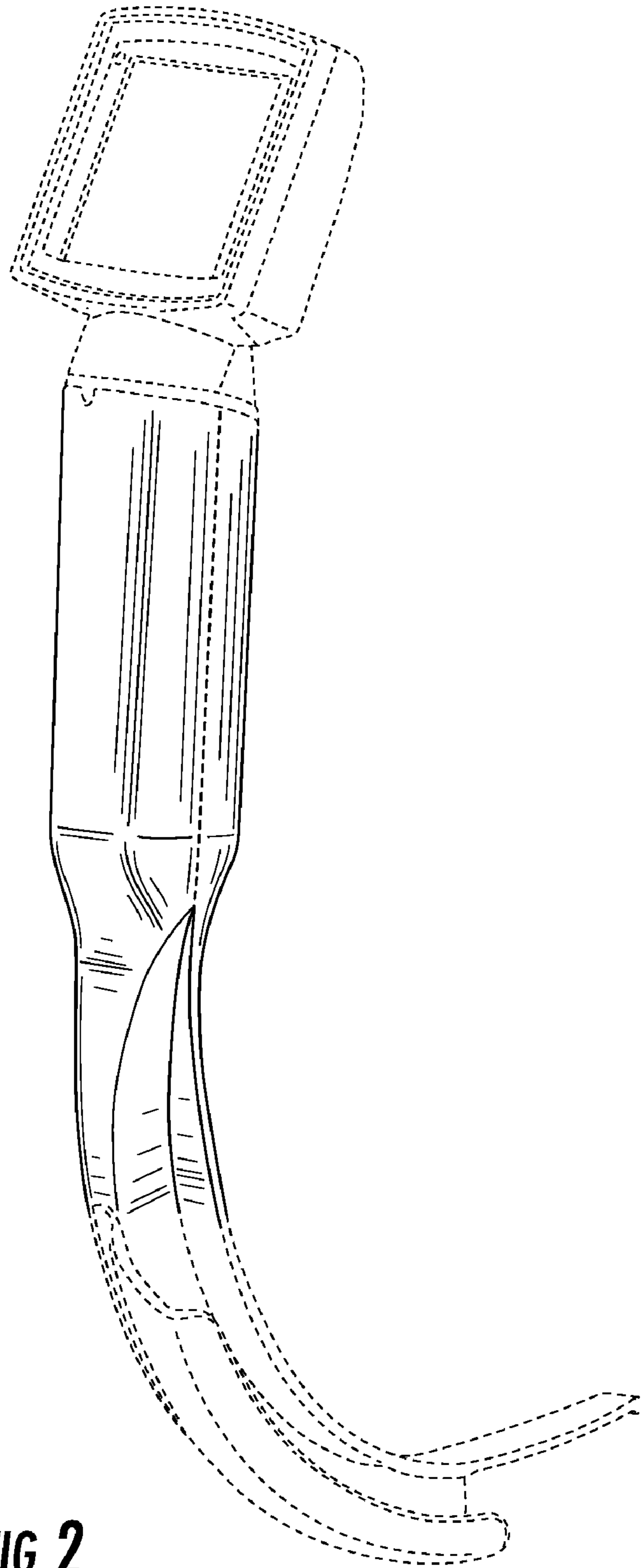
GlideScope® Ranger advertising web page; last accessed on Aug. 31, 2010 at [http://www.verathon.com/gs\\_ranger.htm](http://www.verathon.com/gs_ranger.htm); 2 pages.  
 McGrath® Video Laryngoscope Series 5 advertising web page; last accessed on Aug. 31, 2010 at <http://www.medtel.com.au>; 2 pages.  
 Res-Q-Tech Res-Q-Scope® II advertising web page; last accessed Oct. 13, 2009 at <http://www.allmed.net/catalog/item/1,3,61,3004,77>.  
 Anthony J. Chipas, A Video Laryngoscope, How easy is it to use? How affordable to practice?, *Outpatient Surgery Magazine*, Jan. 2009, 4 pages.  
 E. B. Liem, et al., New options for airway management: intubating fiberoptic stylets, *The Board of Management and Trustees of the British Journal of Anesthesia* ©, 2003, 11 pages.  
 Ken Yanagisawa, "How I Do It" —Head and Neck and Plastic Surgery, *Color Photography of Video Images of Otolaryngological Structures Using a 35 mm SLR Camera*, *Laryngoscope* 97, Aug. 1987, 2 pages.  
 J. E. Smith, et al., Teaching Fiberoptic Nasotracheal Intubation With and Without Closed Circuit Television, *British Journal of Anesthesia*, 1993, pp. 206-211.  
 Pentax Corporation, Airway Scope AWS-S100, Rigid Video Laryngoscope for Intubation, Jan. 6, 2006, 4 pages.  
 Coopdech, Video Laryngoscope Portable VLP-100 Specifications, webpage, Aug. 2009, 2 pages.  
 Truview EV02 New generation intubation devices, [Truphatek.com](http://Truphatek.com) webpage, Jan. 2007, 2 page.  
 Truview Premier Intubation Trainer Kit, webpage, Feb. 4, 2010, 2 pages.  
 LMA North America, Inc., Introducing the McGrath® Video Laryngoscope, Jan. 2008, 2 pages.  
 LMA North America, Inc., LMA CTrach™ Product Literature, May 31, 2006, 2 pages.  
 Verathon Medical, GlideScope® Video Laryngoscopes Product Line, May 2006, 13 pages.  
 Pentax Medical Company, Fast Accurate Portable Airway Scope, May 31, 2006, 2 pages.

\* cited by examiner

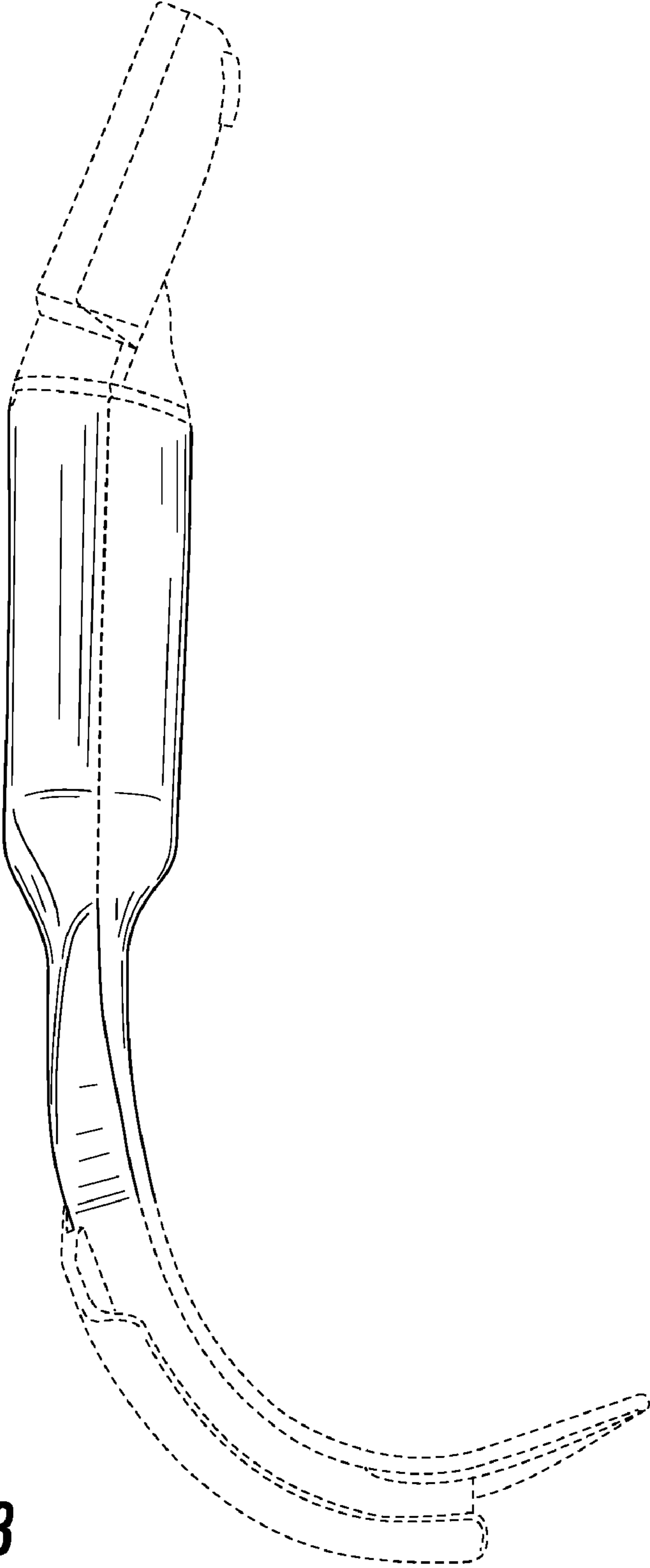


**FIG. 1**

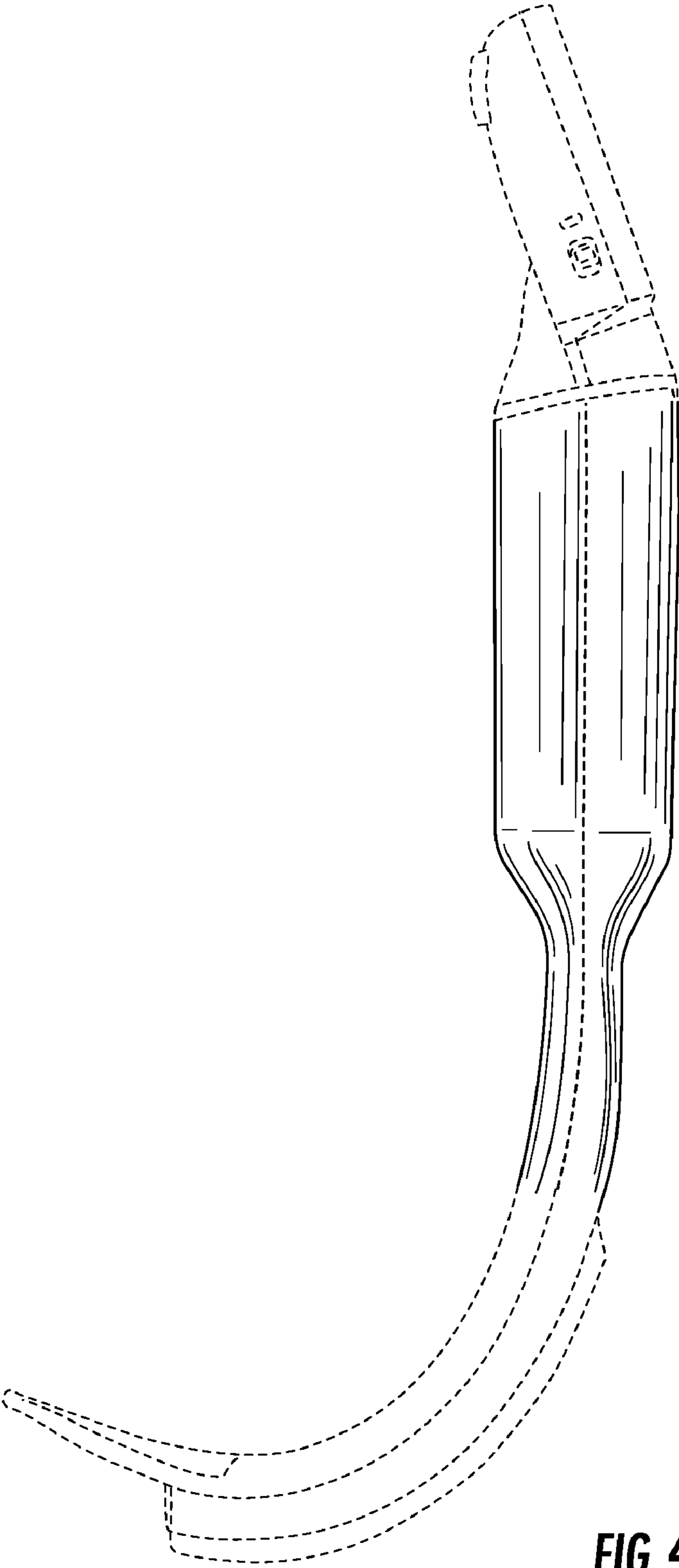




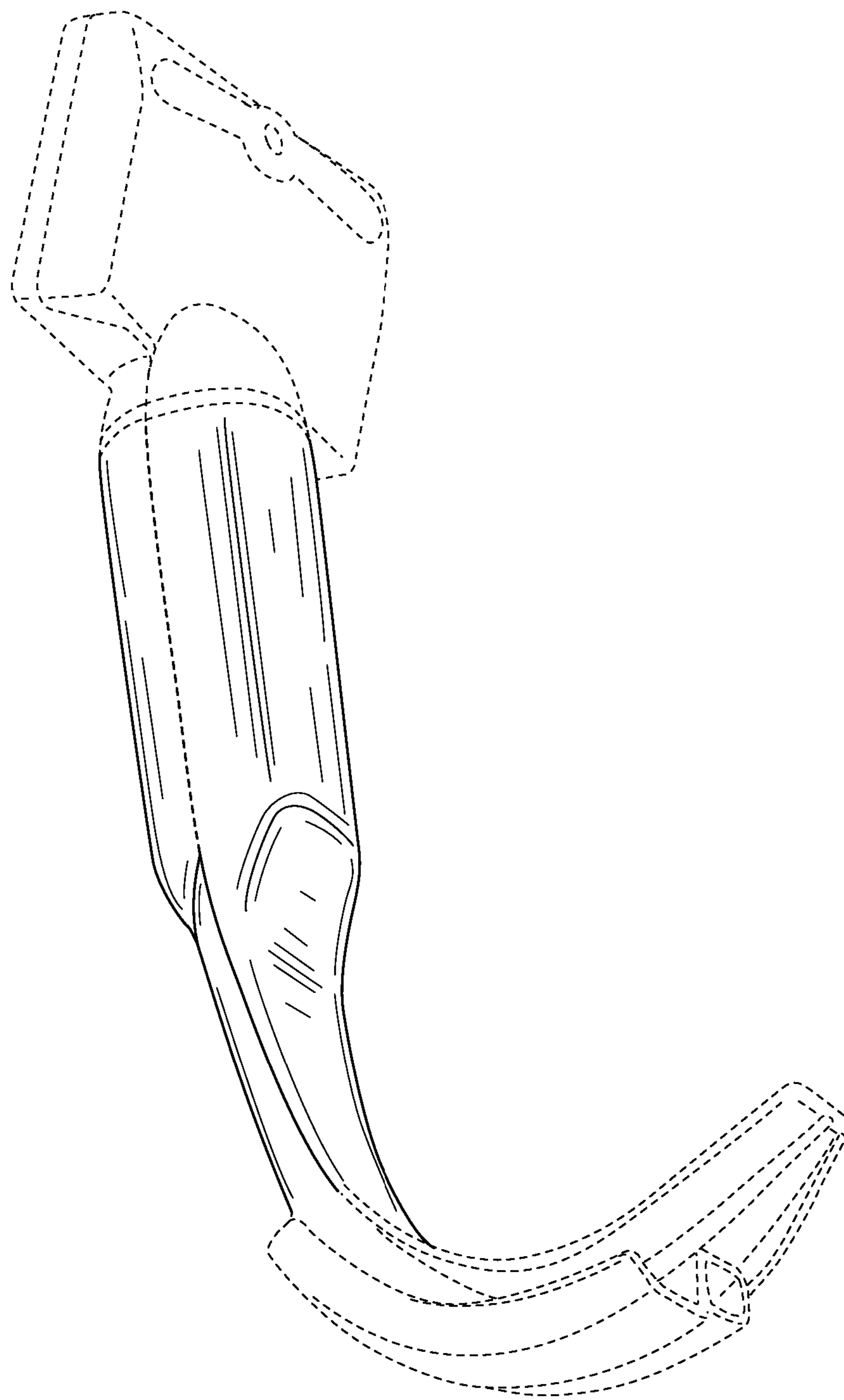
**FIG. 2**



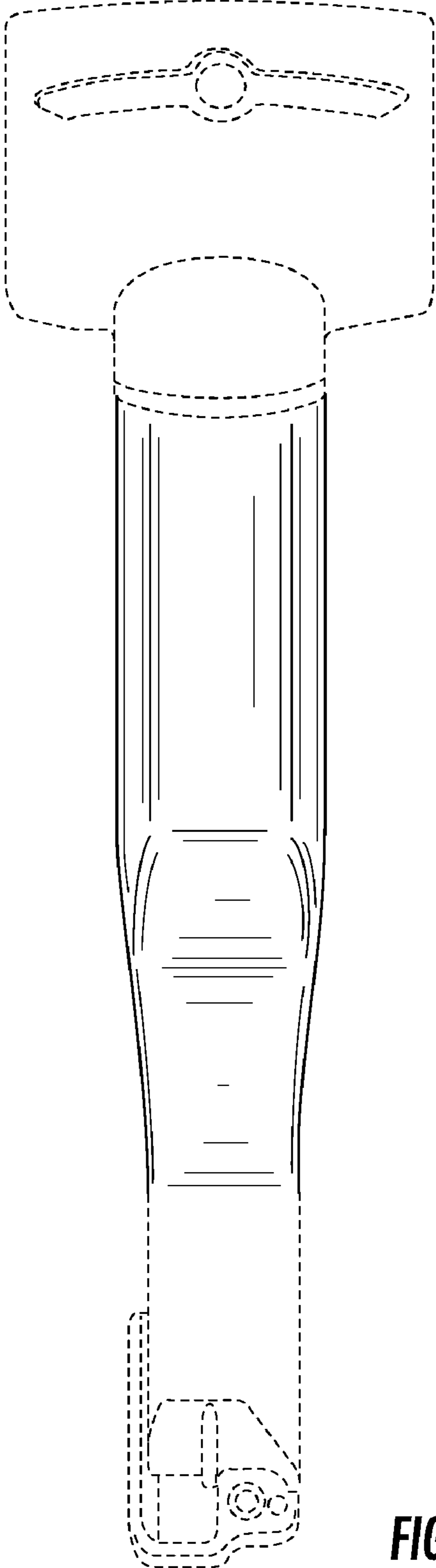
**FIG. 3**



**FIG. 4**

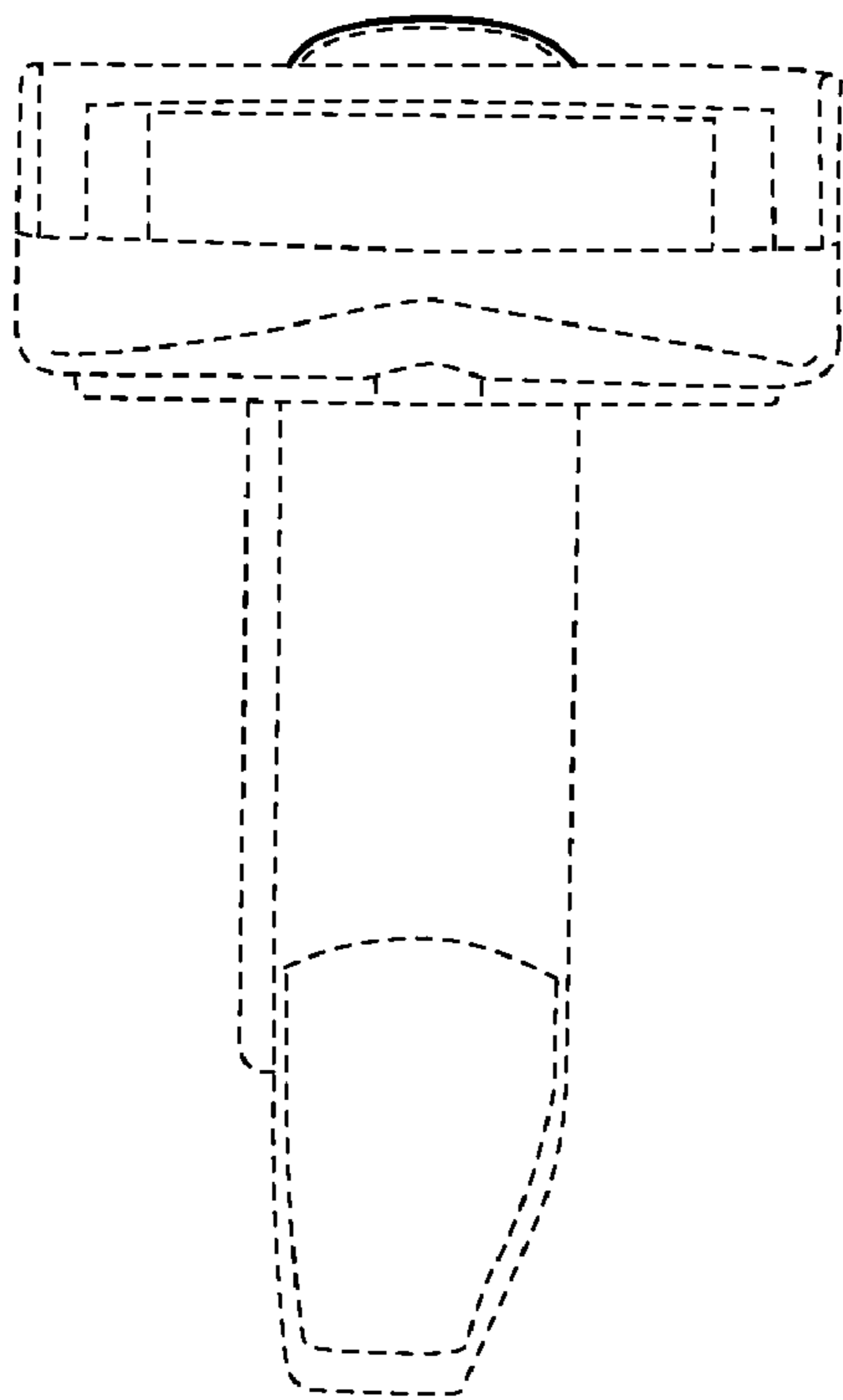


**FIG. 5**

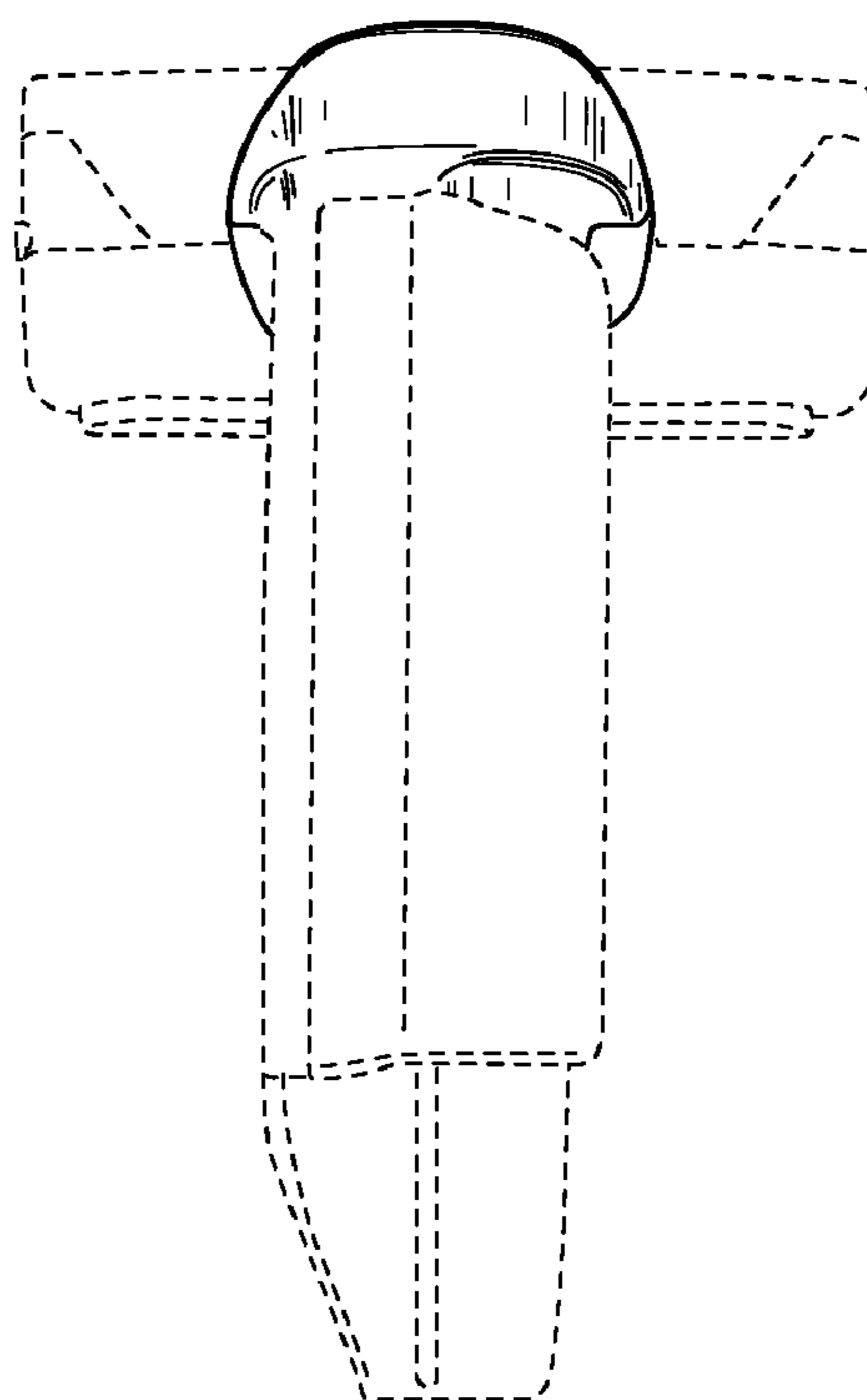


**FIG. 6**

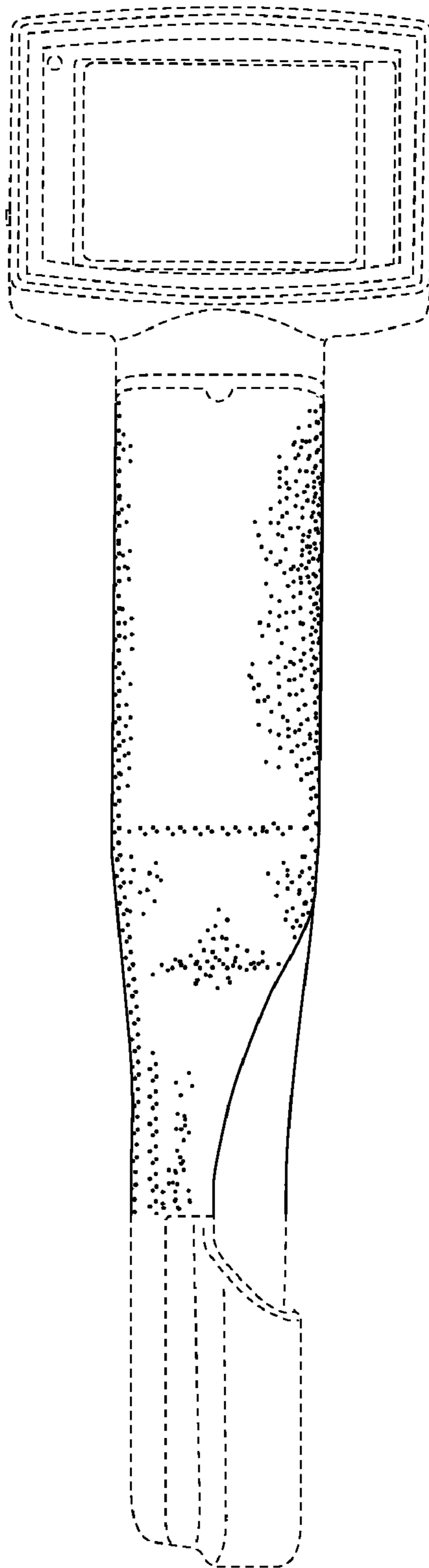




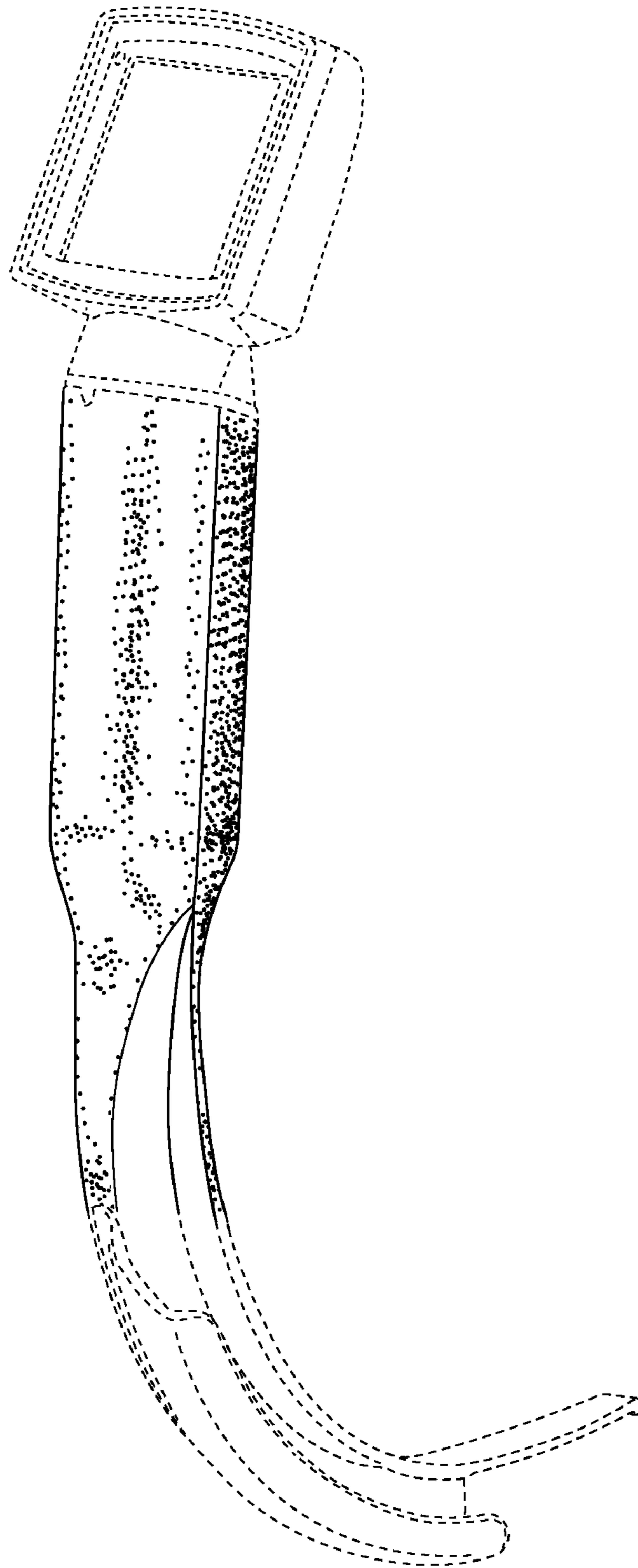
**FIG. 7**



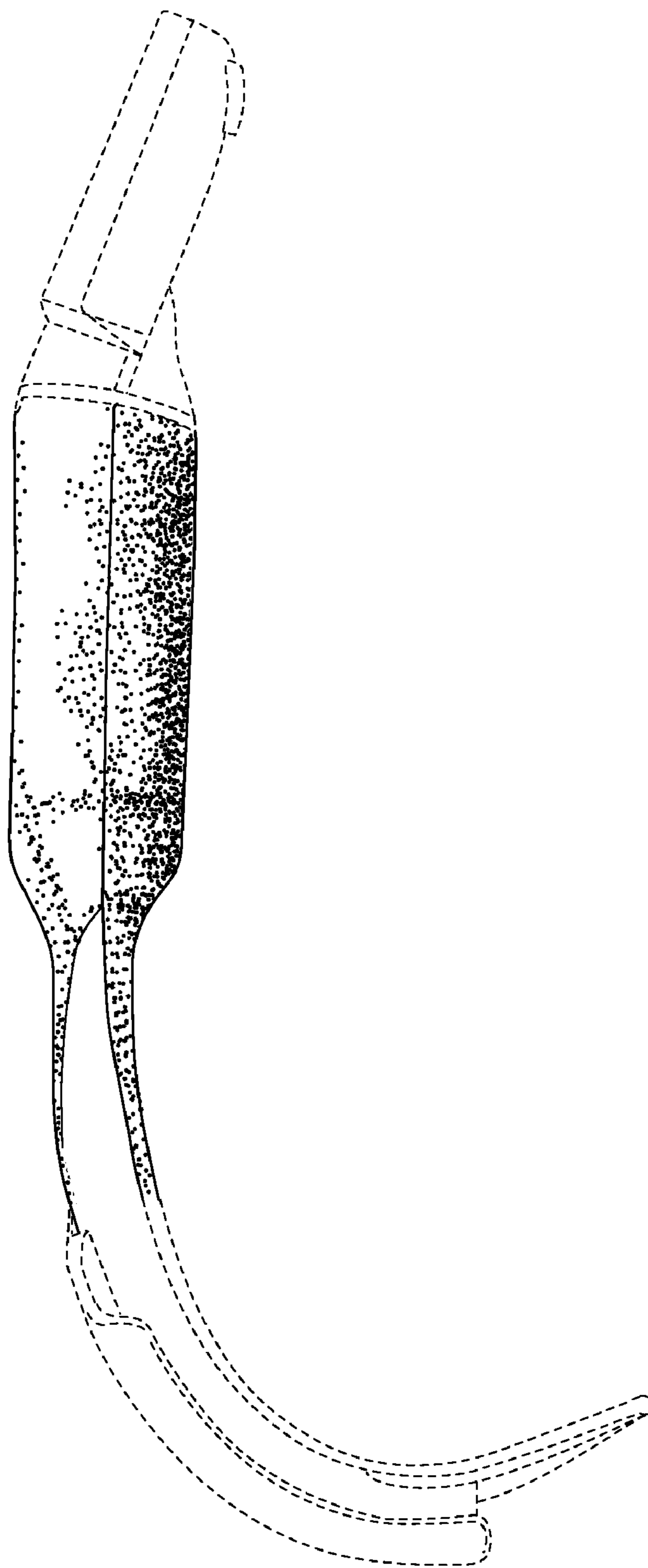
**FIG. 8**



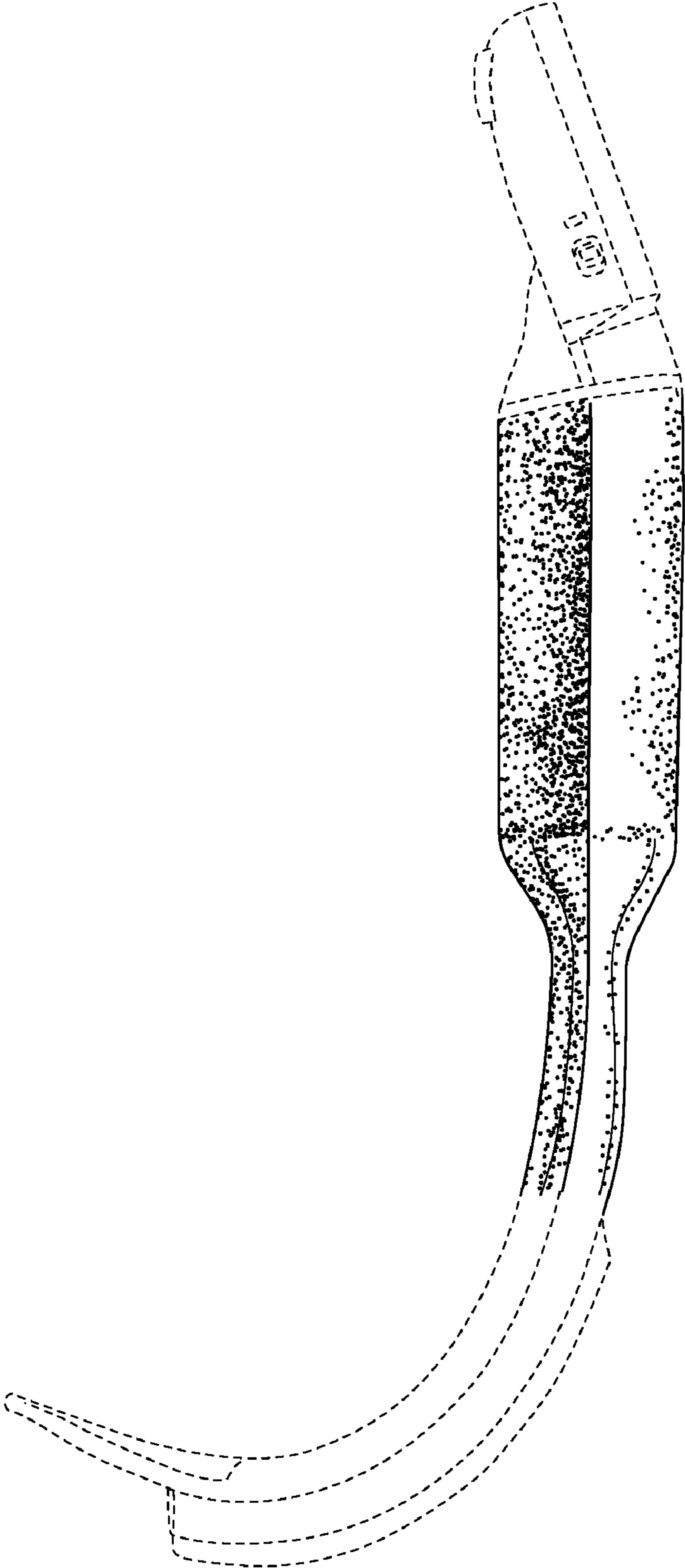
**FIG. 9**



**FIG. 10**

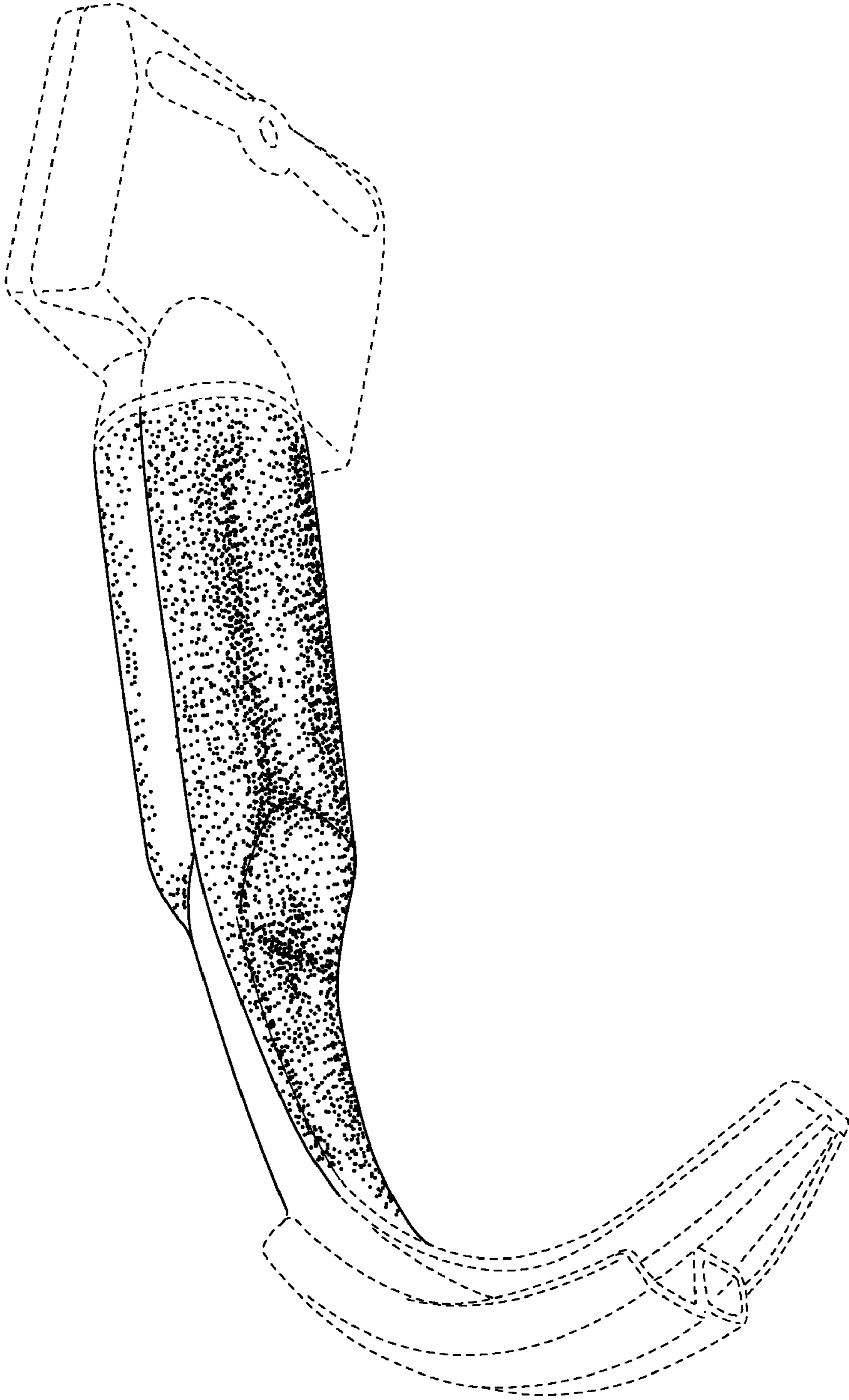


**FIG. 11**

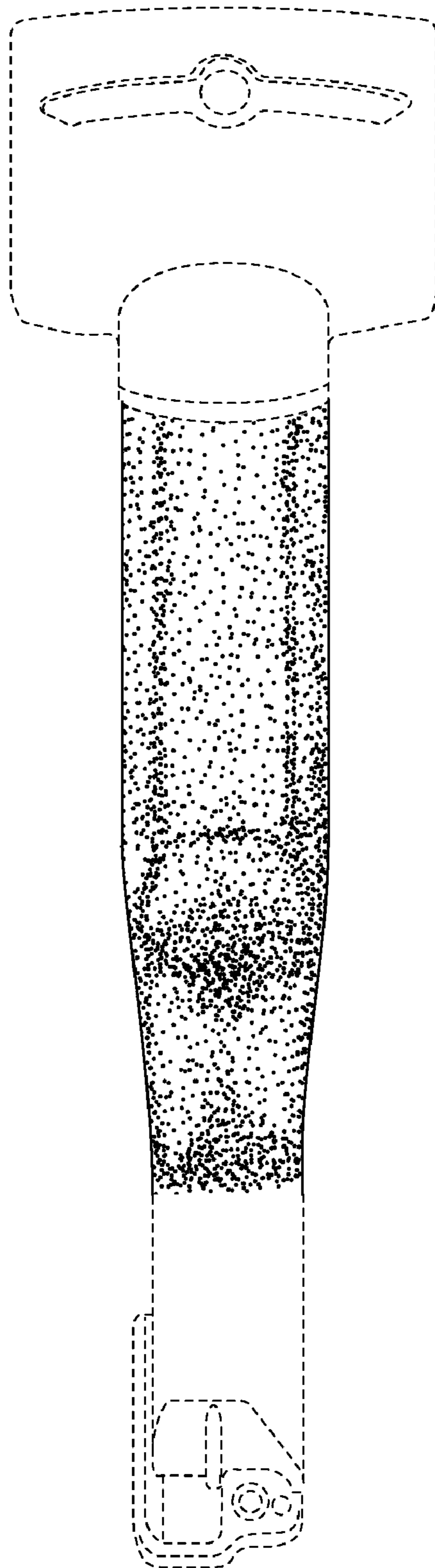


**FIG. 12**

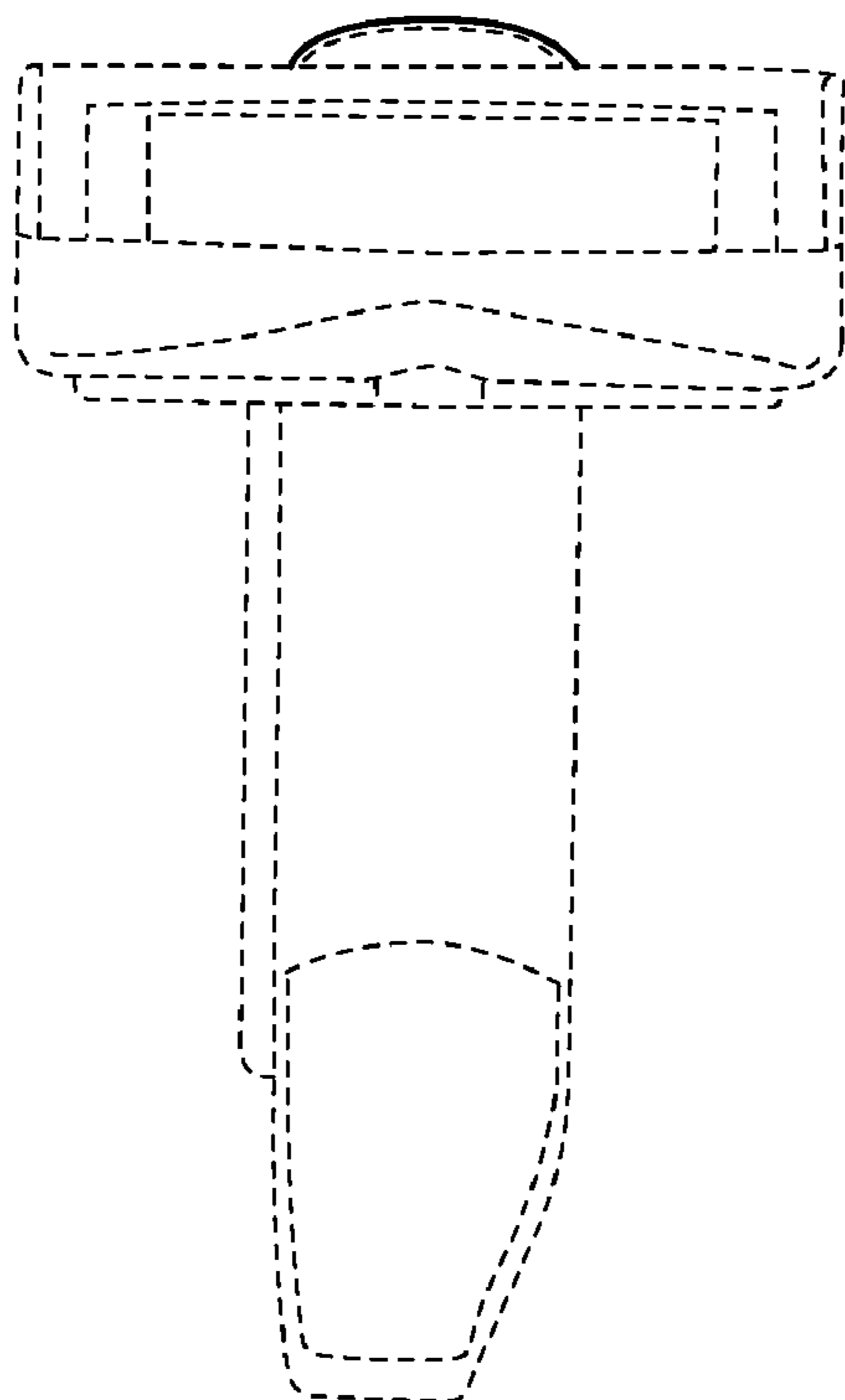




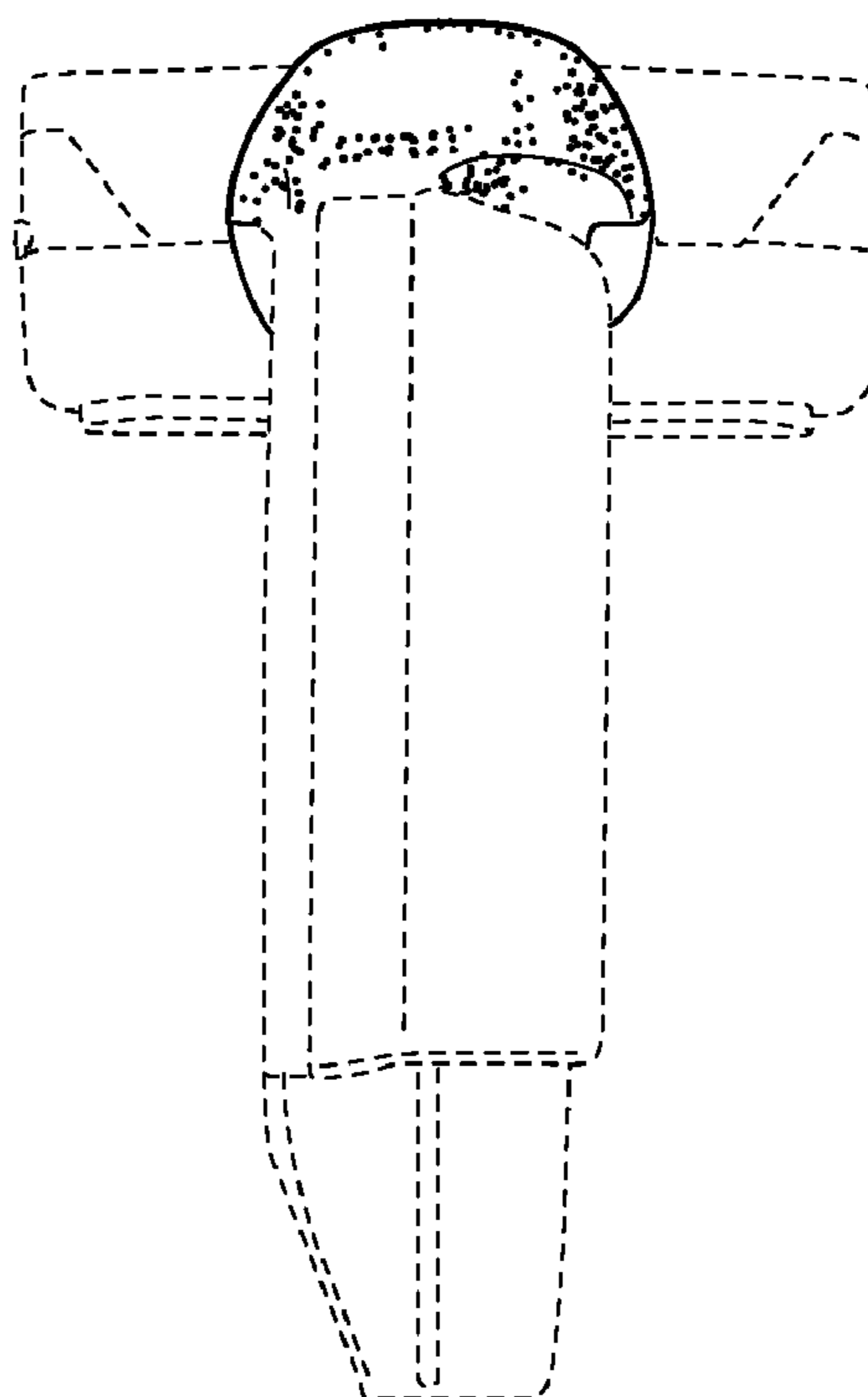
**FIG. 13**



**FIG. 14**



**FIG. 15**



**FIG. 16**