

US00D663024S

(12) **United States Design Patent**
Trifilio

(10) **Patent No.:** **US D663,024 S**
(45) **Date of Patent:** **** Jul. 3, 2012**

(54) **FLUID MANAGEMENT CONNECTOR**

(75) Inventor: **Christian Trifilio**, St. Paul, MN (US)

(73) Assignee: **Circle Biologics, LLC**, Minneapolis, MN (US)

(**) Term: **14 Years**

(21) Appl. No.: **29/411,787**

(22) Filed: **Jan. 26, 2012**

Related U.S. Application Data

(62) Division of application No. 29/316,085, filed on Aug. 21, 2009, now Pat. No. Des. 655,814.

(51) **LOC (9) Cl.** **24-02**

(52) **U.S. Cl.** **D24/130**

(58) **Field of Classification Search** D24/110,
D24/129; 604/905, 256, 246, 83, 167.01,
604/167.02, 167.03, 167.04, 533, 538, 539,
604/284, 523, 546

See application file for complete search history.

(56) **References Cited**

U.S. PATENT DOCUMENTS

D239,024 S 3/1976 D'Alo
D239,025 S 3/1976 D'AlO

3,976,073 A	8/1976	Quick et al.	
5,350,080 A	9/1994	Brown et al.	
5,507,535 A	4/1996	McKamey et al.	
D473,941 S	4/2003	Cise et al.	
6,764,467 B1	7/2004	Roby et al.	
6,908,223 B2 *	6/2005	Bibbo et al.	366/333
D644,731 S *	9/2011	Fangrow, Jr.	D24/129
2002/0147429 A1	10/2002	Cowan et al.	
2007/0265577 A1	11/2007	Uematsu et al.	
2011/0230856 A1	9/2011	Kyle et al.	

* cited by examiner

Primary Examiner — T. Chase Nelson

Assistant Examiner — Eric Goodman

(74) *Attorney, Agent, or Firm* — Kagan Binder, PLLC

(57) **CLAIM**

The ornamental design for a fluid management connector, as shown and described.

DESCRIPTION

FIG. 1 is a perspective view of a fluid management connector showing my new design;

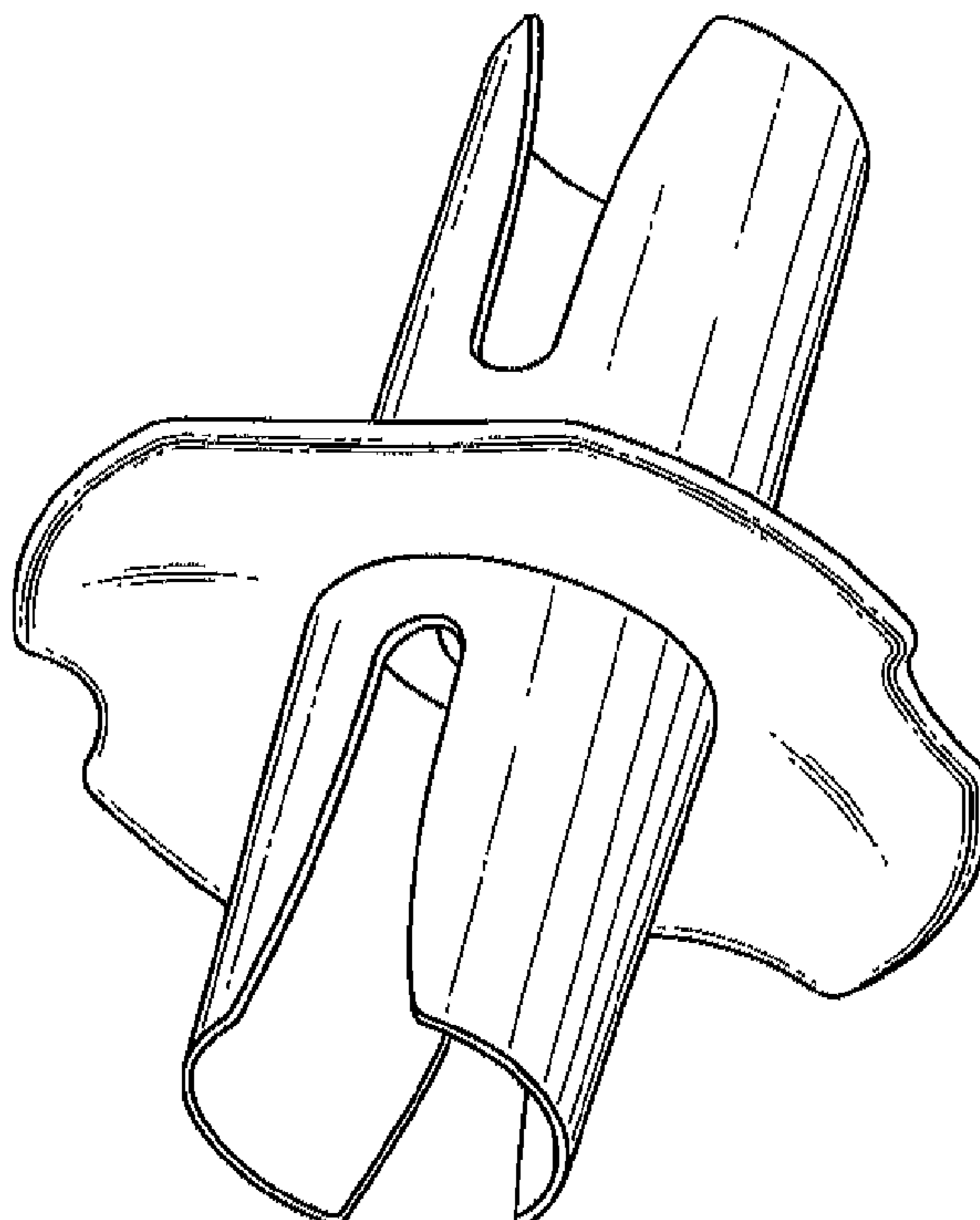
FIG. 2 is a right side view of our new design, the left side view being identical thereof;

FIG. 3 is a front view of our new design, the rear view being identical thereof;

FIG. 4 is a bottom view of our new design; and,

FIG. 5 is a top view of our new design.

1 Claim, 3 Drawing Sheets



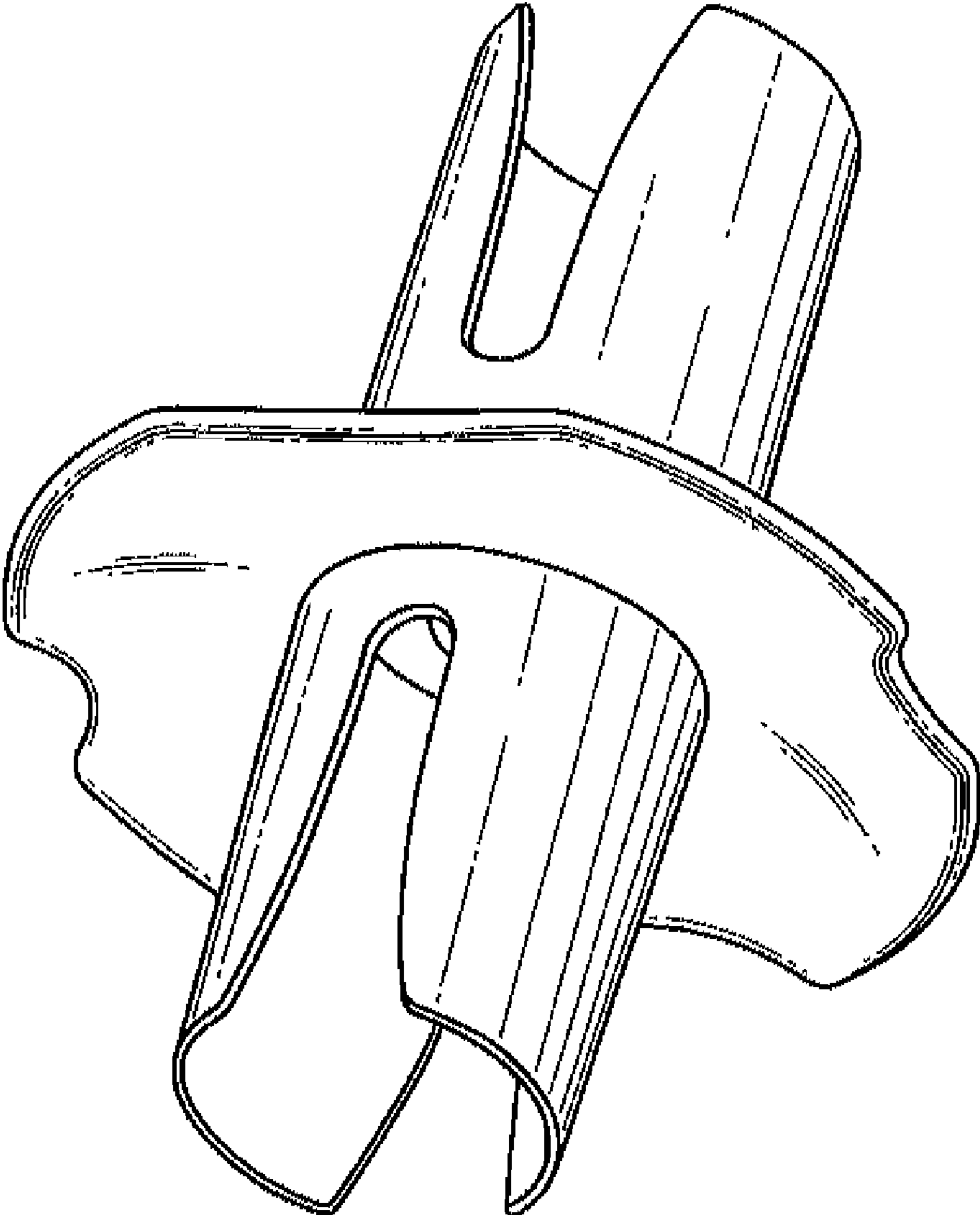


Fig. 1

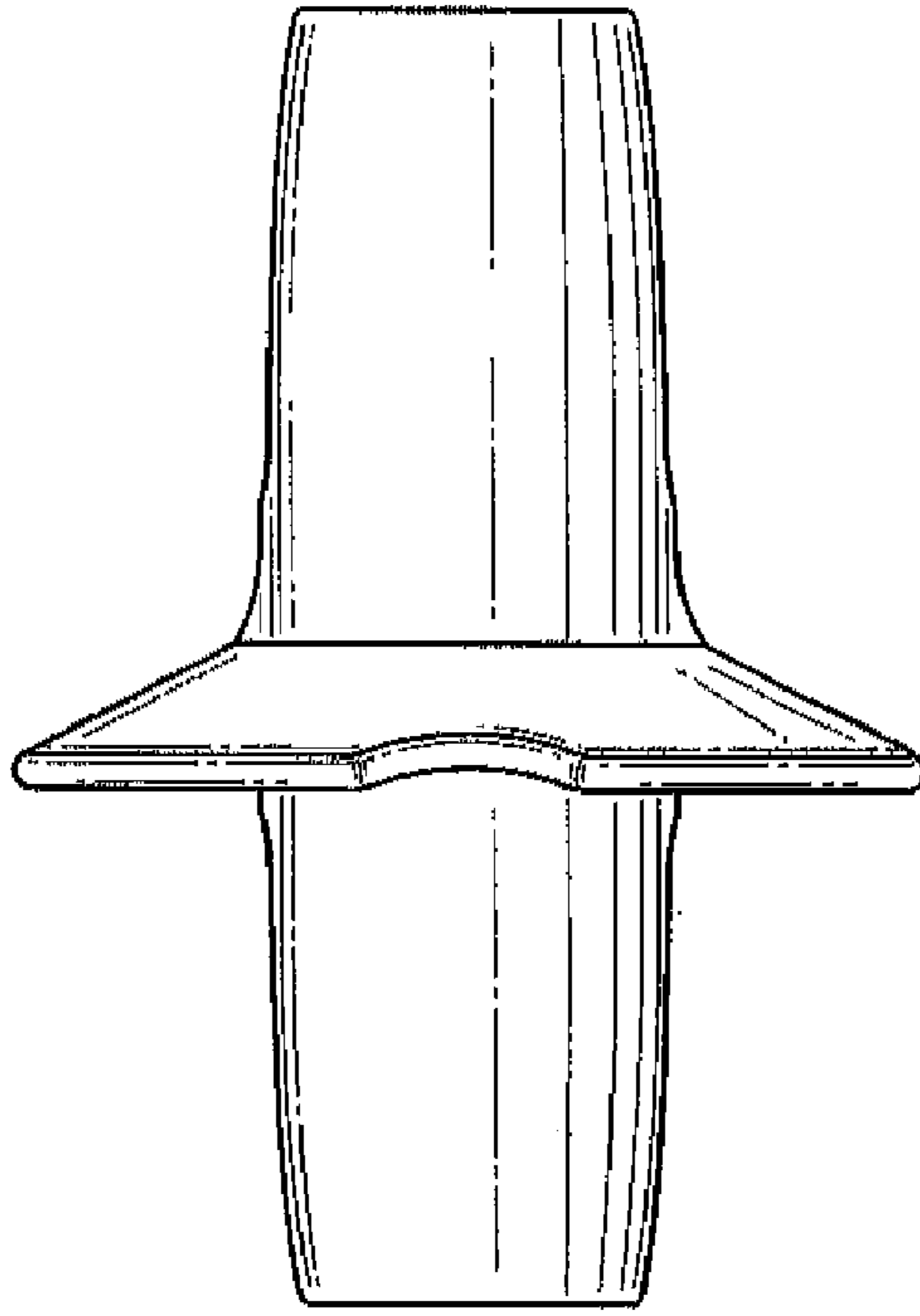


Fig. 2

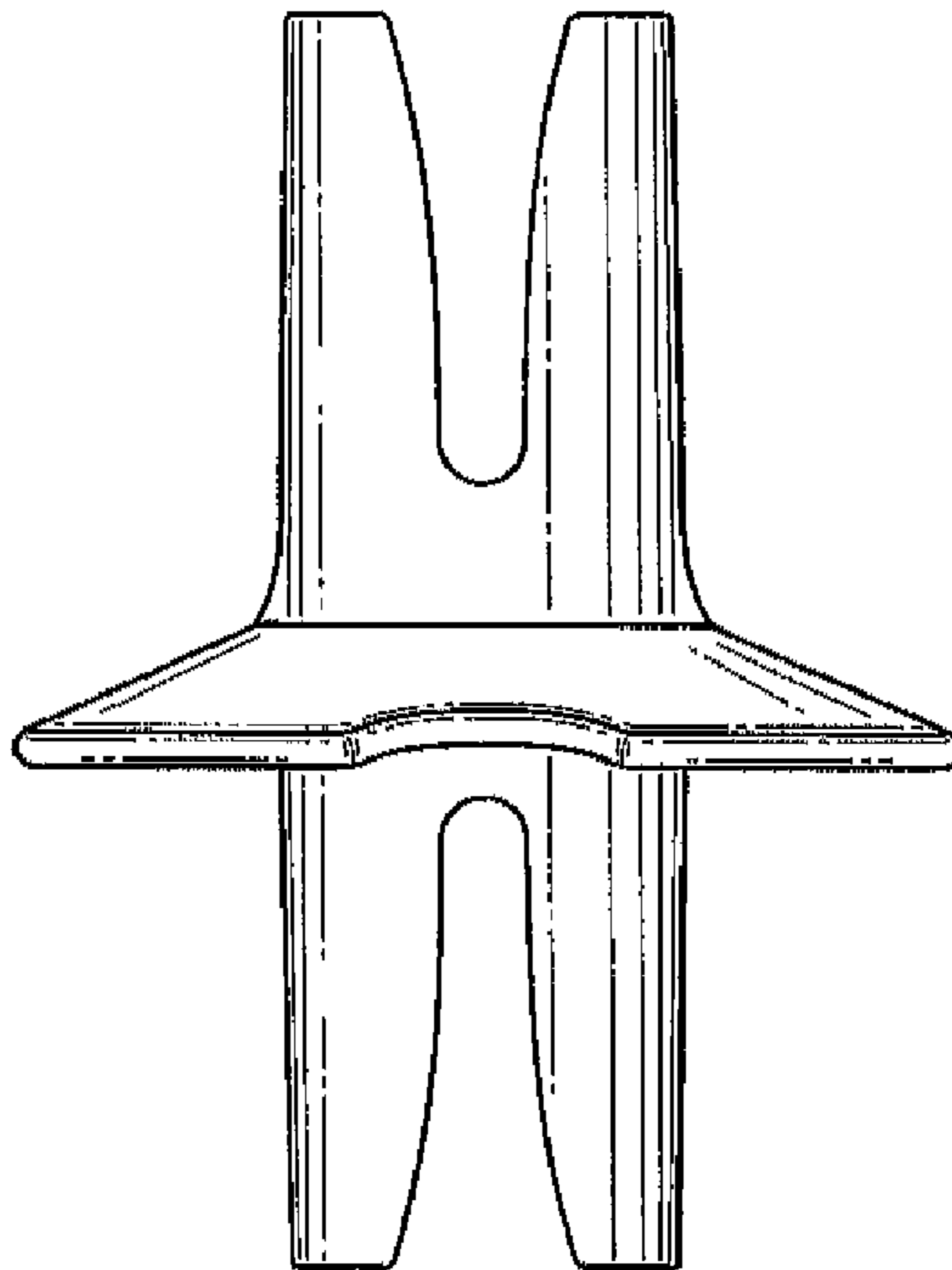


Fig. 3

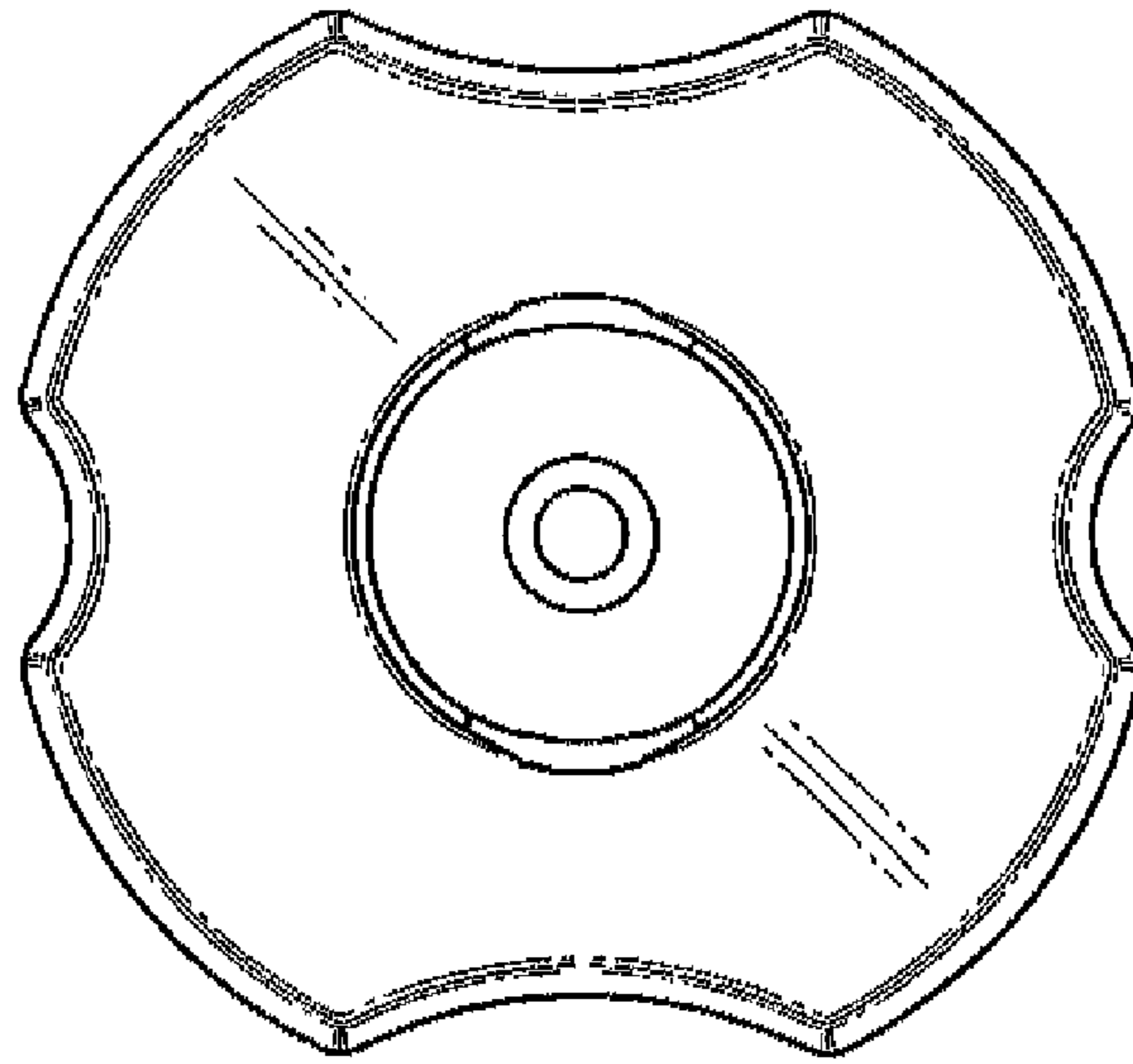


Fig. 4

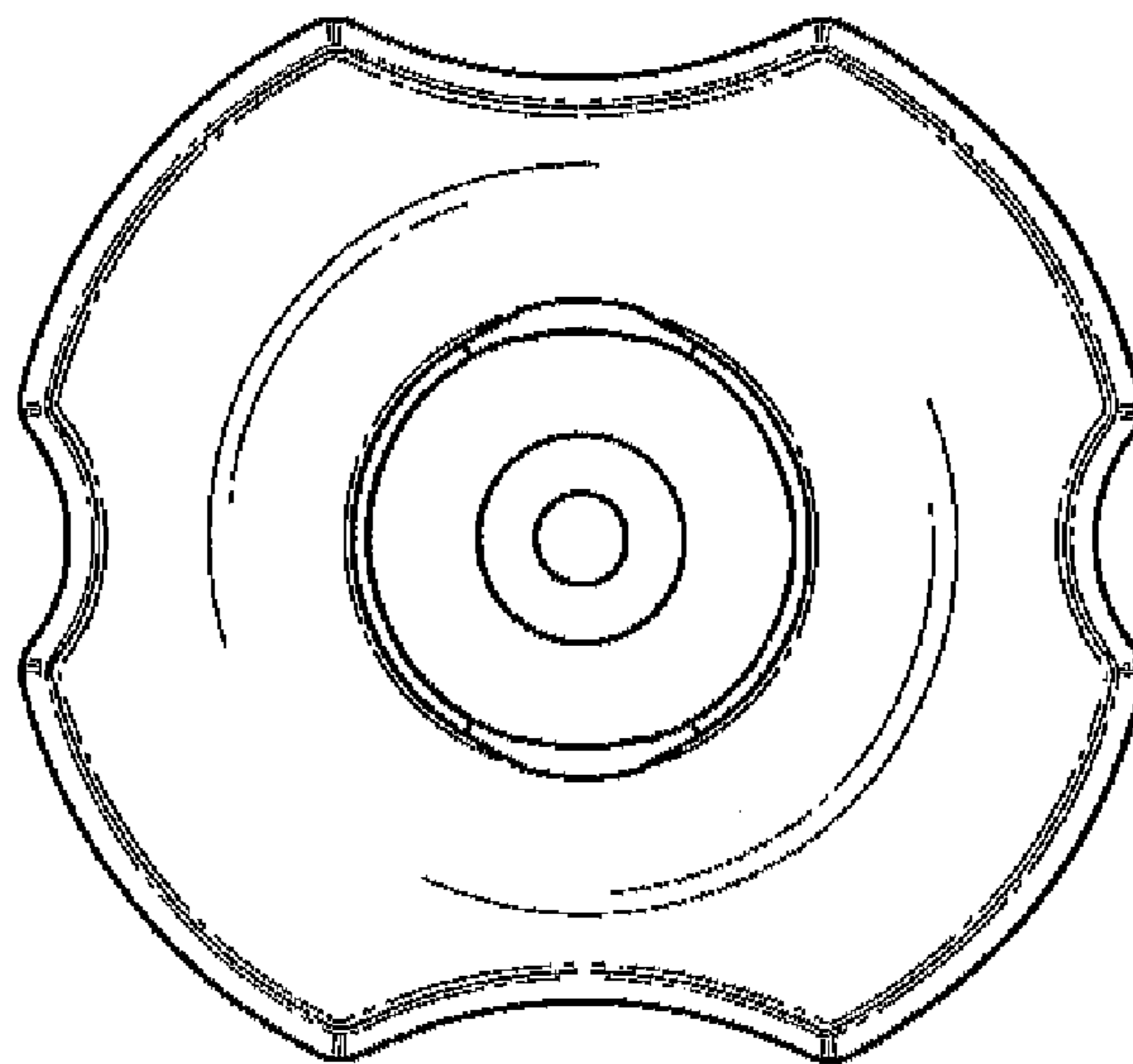


Fig. 5