



US00D663023S

(12) **United States Design Patent**
Strong et al.

(10) **Patent No.:** **US D663,023 S**
(45) **Date of Patent:** **** Jul. 3, 2012**

- (54) **LIQUID DISPENSING SYRINGE**
- (75) Inventors: **Warren N. Strong**, Hope, RI (US);
Michael A. Vidal, North Attleborough,
MA (US); **Terrence Woldorf**, Westport,
MA (US)
- (73) Assignee: **Nordson Corporation**, Westlake, OH
(US)

- D306,069 S 2/1990 Kelly et al.
- D321,759 S 11/1991 Buswell et al.
- D338,957 S 8/1993 de Faire et al.
- 5,509,903 A 4/1996 Grendahl et al.
- D401,324 S 11/1998 Hjertman et al.
- D429,812 S 8/2000 Hjertman et al.
- D431,864 S 10/2000 Jansen
- D447,797 S 9/2001 Odell et al.
- D447,799 S 9/2001 Jun
- D543,278 S 5/2007 Numata et al.

(Continued)

(**) Term: **14 Years**

(21) Appl. No.: **29/367,355**

(22) Filed: **Aug. 6, 2010**

Related U.S. Application Data

- (62) Division of application No. 29/326,873, filed on Oct. 27, 2008, now Pat. No. Des. 623,291, which is a division of application No. 29/280,974, filed on Jun. 12, 2007, now Pat. No. Des. 588,693.
- (51) **LOC (9) Cl.** **24-02**
- (52) **U.S. Cl.** **D24/130; D24/112**
- (58) **Field of Classification Search** D24/129,
D24/112-114; 604/68-70, 411
See application file for complete search history.

(56) **References Cited**

U.S. PATENT DOCUMENTS

- 2,830,586 A 4/1958 Dann et al.
- 2,952,255 A 9/1960 Hein, Jr.
- 3,149,717 A 9/1964 Castelli
- 3,237,815 A 3/1966 Ogle
- 4,067,332 A 1/1978 O'Leary
- D262,739 S 1/1982 Nitshke
- 4,708,270 A 11/1987 Ruesch
- D294,640 S 3/1988 Wicken et al.
- D302,206 S 7/1989 McAlister et al.

FOREIGN PATENT DOCUMENTS

GB 2020254 A 11/1979

OTHER PUBLICATIONS

European Patent Office, Invitation to Pay Additional Fees in PCT Application No. PCT/US2007/070971, Dec. 13, 2007.

(Continued)

Primary Examiner — Eric Goodman

(74) *Attorney, Agent, or Firm* — Wood, Herron & Evans, L.L.P.

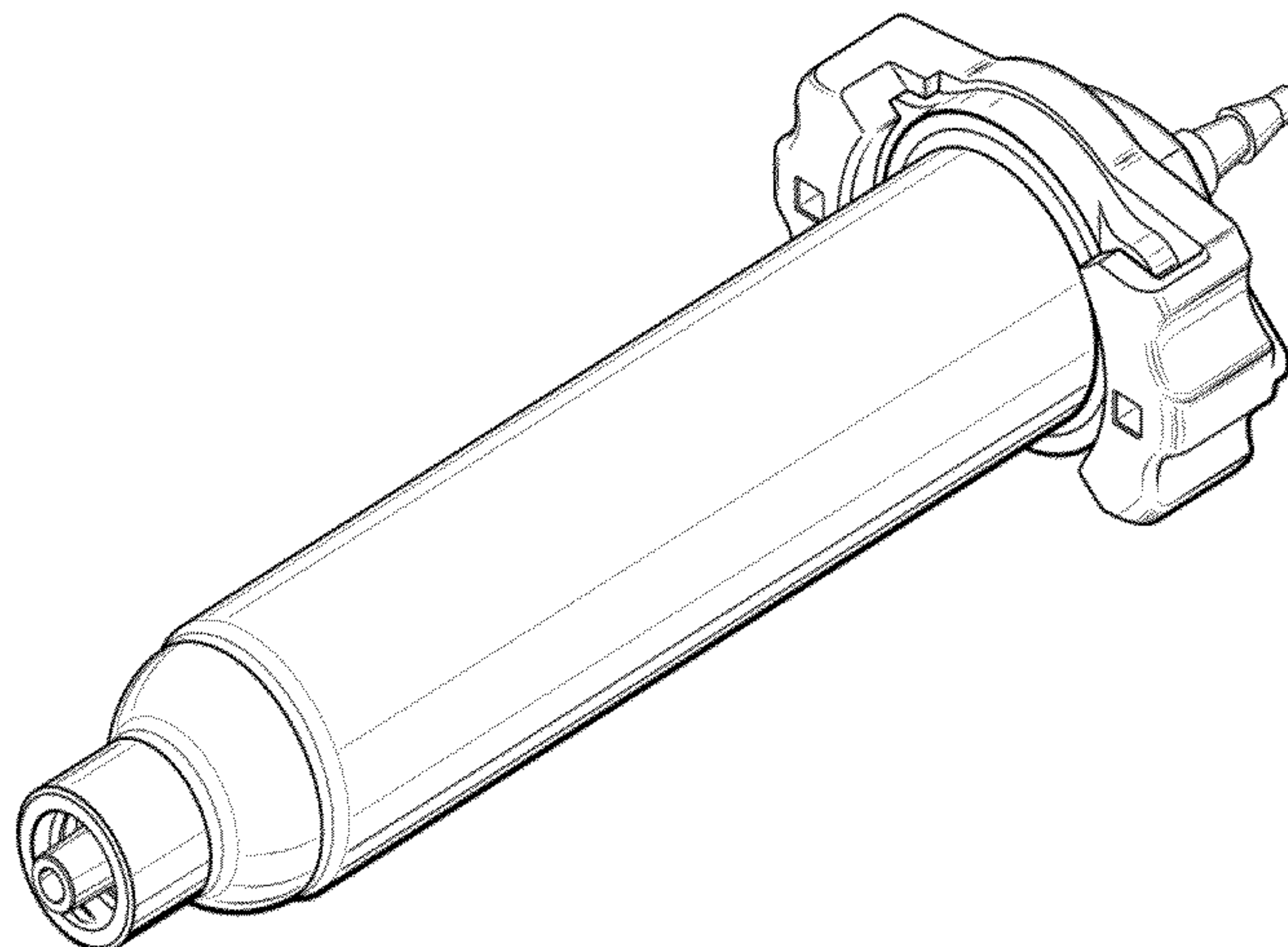
(57) **CLAIM**

The ornamental design for a liquid dispensing syringe, as shown and described.

DESCRIPTION

FIG. 1 is a perspective view of the liquid dispensing syringe. FIG. 2 is a front view of the liquid dispensing syringe with the rear view being an identical image thereof. FIG. 3 is a right side view of the liquid dispensing syringe with the left side view being an identical image thereof. FIG. 4 is a top view of the liquid dispensing syringe; and, FIG. 5 is a bottom view of the liquid dispensing syringe.

1 Claim, 3 Drawing Sheets



US D663,023 S

Page 2

U.S. PATENT DOCUMENTS

D558,340 S 12/2007 Hochman et al.
D581,048 S 11/2008 Kawamura
D584,407 S 1/2009 Kawamura
D588,693 S * 3/2009 Strong et al. D24/129
D608,000 S * 1/2010 Kawamura D24/130
D649,242 S * 11/2011 Kosinski et al. D24/129
D657,462 S * 4/2012 Siroky D24/130
2005/0029306 A1 2/2005 Brennan

2006/0089594 A1 4/2006 Landau
2007/0000951 A1 1/2007 Springhorn

OTHER PUBLICATIONS

European Patent Office, International Search Report and Written Opinion in PCT Application Serial No. PCT/US2007/070971, Nov. 29, 2007.

* cited by examiner

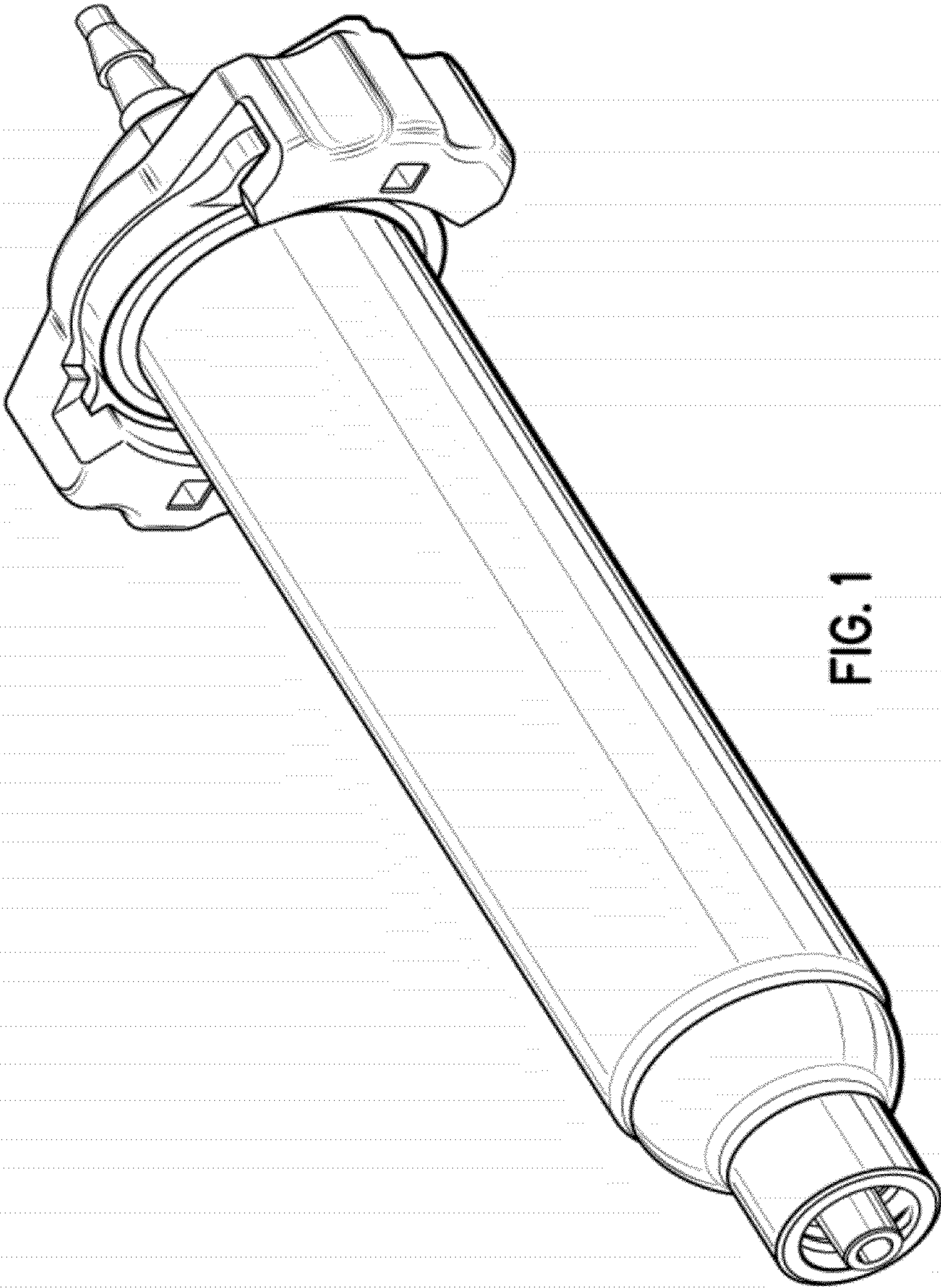


FIG. 1

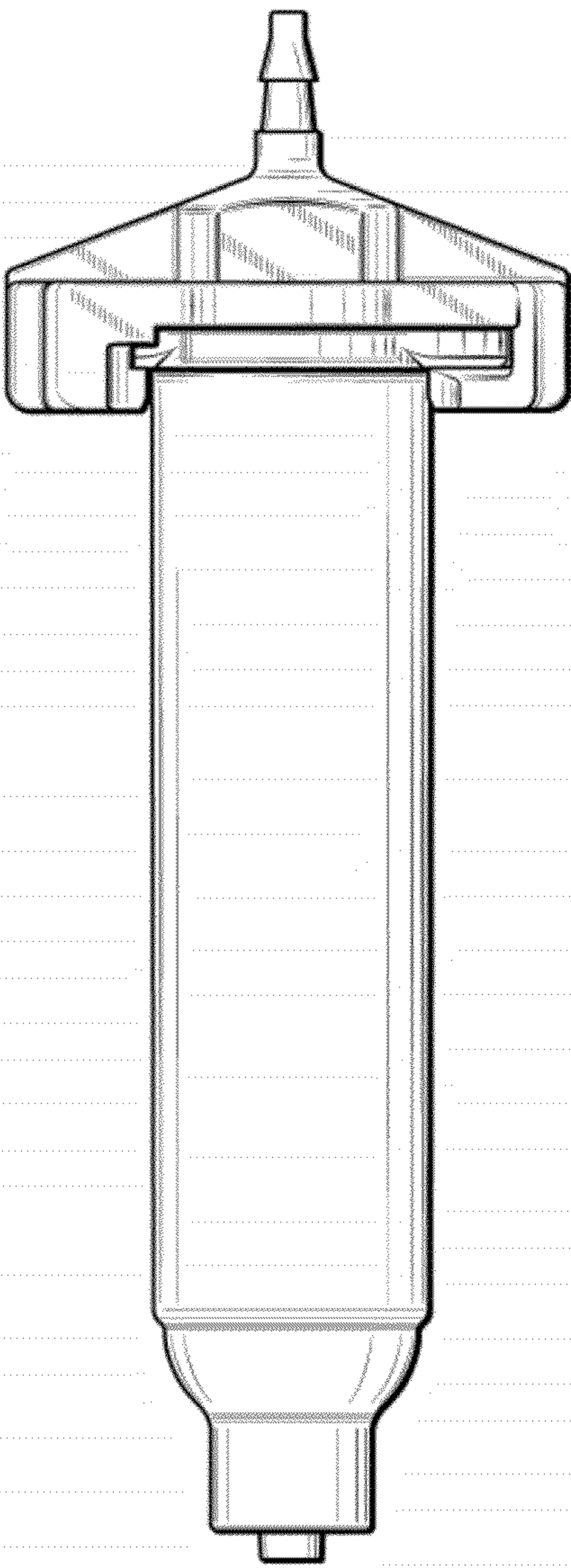


FIG. 2

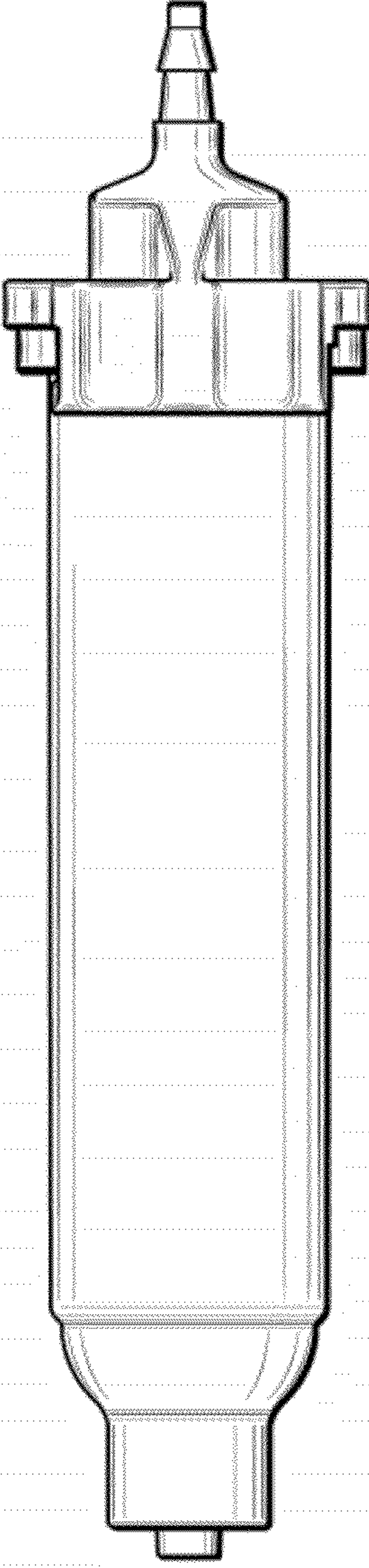


FIG. 3

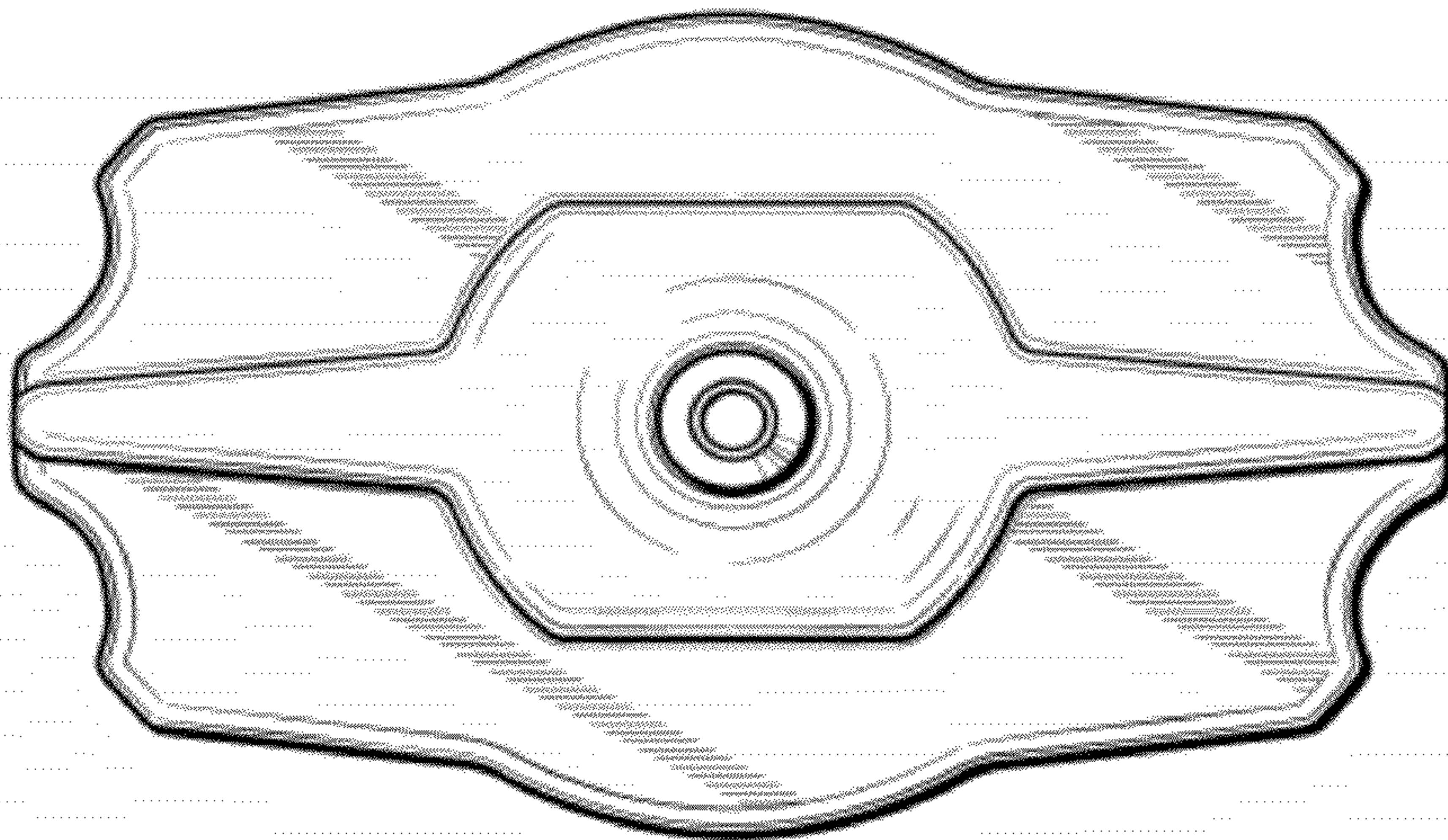


FIG. 4

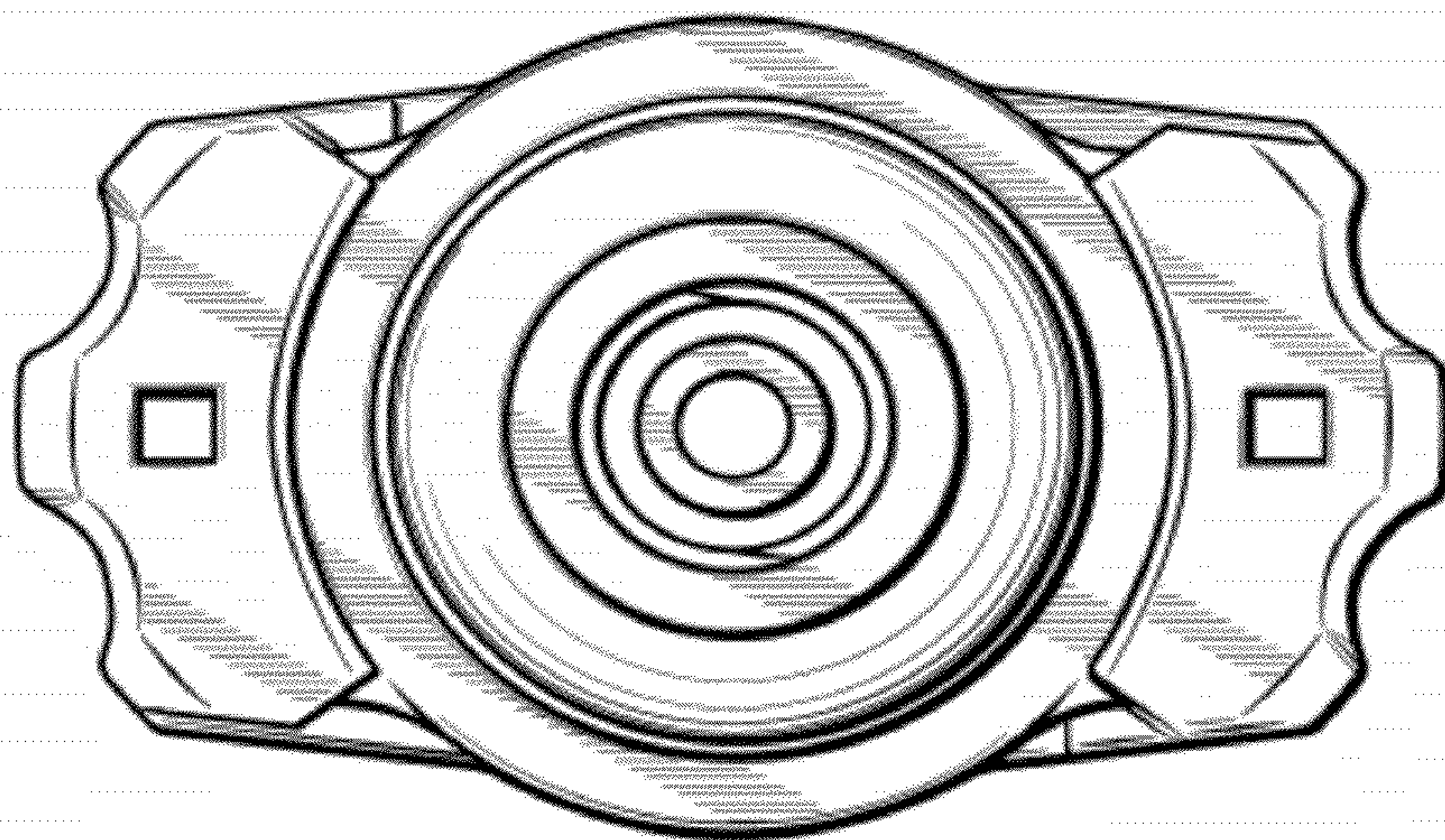


FIG. 5