



US00D663021S

(12) **United States Design Patent**
Wilborn et al.

(10) **Patent No.:** **US D663,021 S**
(45) **Date of Patent:** **** Jul. 3, 2012**

(54) **INTRAVENOUS SPLINT COVER**

(76) Inventors: **Marie-Andrea I. Wilborn**, Melbourne, FL (US); **Marie Therese R. Fongemie**, Melbourne, FL (US)

(**) Term: **14 Years**

(21) Appl. No.: **29/409,104**

(22) Filed: **Dec. 20, 2011**

(51) **LOC (9) Cl.** **24-02**

(52) **U.S. Cl.** **D24/128**

(58) **Field of Classification Search** D24/128,
D24/130, 188-189; 604/179-180, 187, 227;
602/58-59; 128/DIG. 26

See application file for complete search history.

(56) **References Cited**

U.S. PATENT DOCUMENTS

D293,717	S	*	1/1988	Proulx et al.	D24/189
D375,356	S	*	11/1996	Bierman	D24/128
5,911,707	A	*	6/1999	Wolvek et al.	604/116
5,947,931	A	*	9/1999	Bierman	604/180
D424,691	S	*	5/2000	Yavitz	D24/128
D427,689	S	*	7/2000	Doyle	D24/190
D439,973	S	*	4/2001	Choksi	D24/128
D470,936	S	*	2/2003	Bierman	D24/128
7,022,111	B2	*	4/2006	Duplessie et al.	604/174
7,652,190	B2	*	1/2010	Johnson	602/48
D621,518	S	*	8/2010	Arbesman et al.	D24/189
D622,403	S	*	8/2010	Arbesman et al.	D24/189
2012/0041377	A1	*	2/2012	Haak	604/180

* cited by examiner

Primary Examiner — Eric Goodman

(74) *Attorney, Agent, or Firm* — Mark R. Malek, Esq.; Zies Wideman & Malek

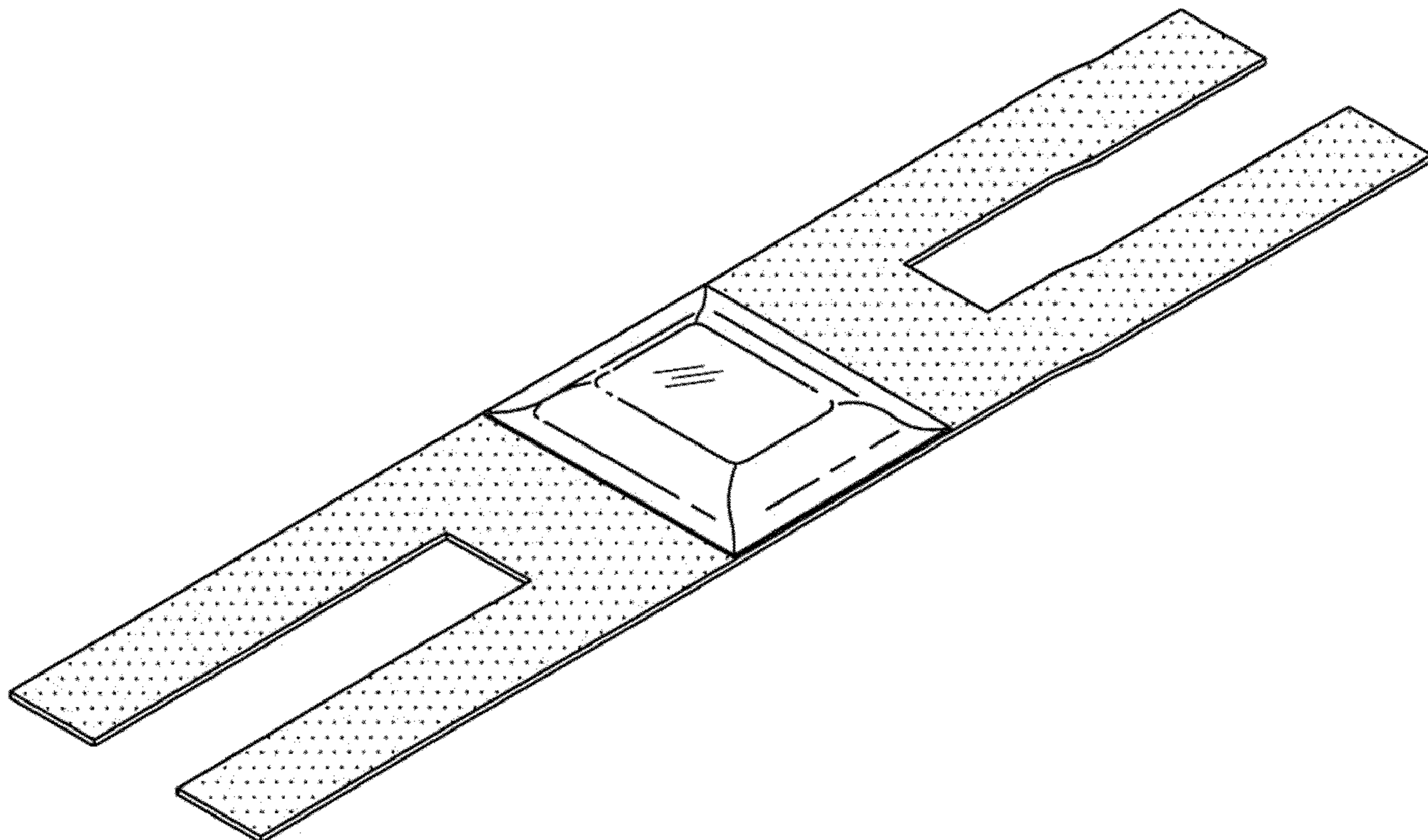
(57) **CLAIM**

The ornamental design for an intravenous splint cover, as shown and described.

DESCRIPTION

FIG. 1 is a bottom perspective view of an intravenous splint cover according to the present invention.
 FIG. 2 is a top perspective view of an intravenous splint cover according to the present invention.
 FIG. 3 is a bottom plan view of an intravenous splint cover according to the present invention.
 FIG. 4 is a top plan view of an intravenous splint cover according to the present invention.
 FIG. 5 is a right side elevation view of an intravenous splint cover according to the present invention.
 FIG. 6 is a left side elevation view of an intravenous splint cover according to the present invention.
 FIG. 7 is a front elevation view of an intravenous splint cover according to the present invention.
 FIG. 8 is a rear elevation view of an intravenous splint cover according to the present invention; and,
 FIG. 9 is a perspective environmental view of an intravenous splint cover according to the present invention being applied to a patients arm over an intravenous site, wherein the broken lines showing environmental structure represent unclaimed subject matter and form no part of the claimed design.

1 Claim, 4 Drawing Sheets



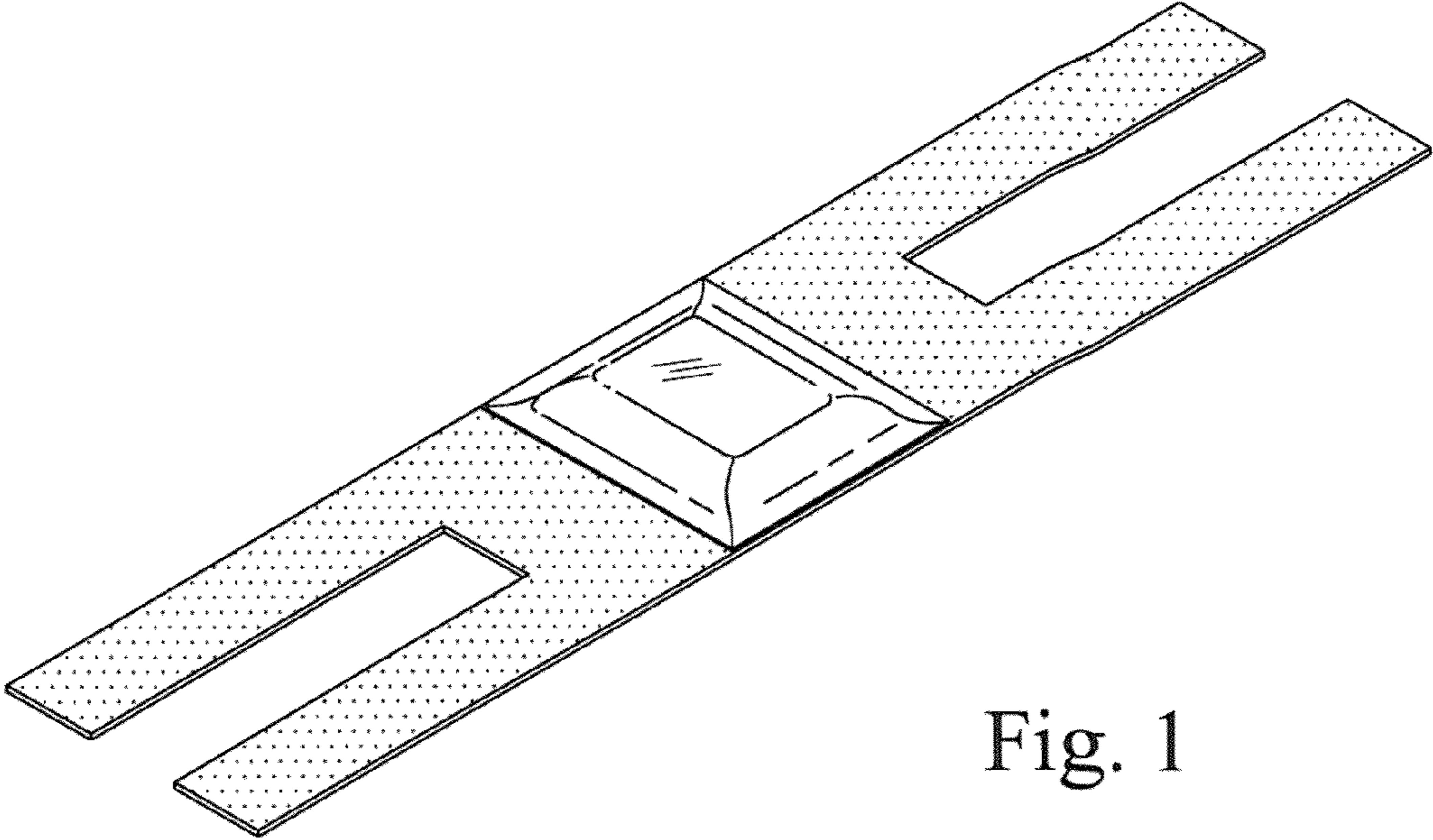


Fig. 1

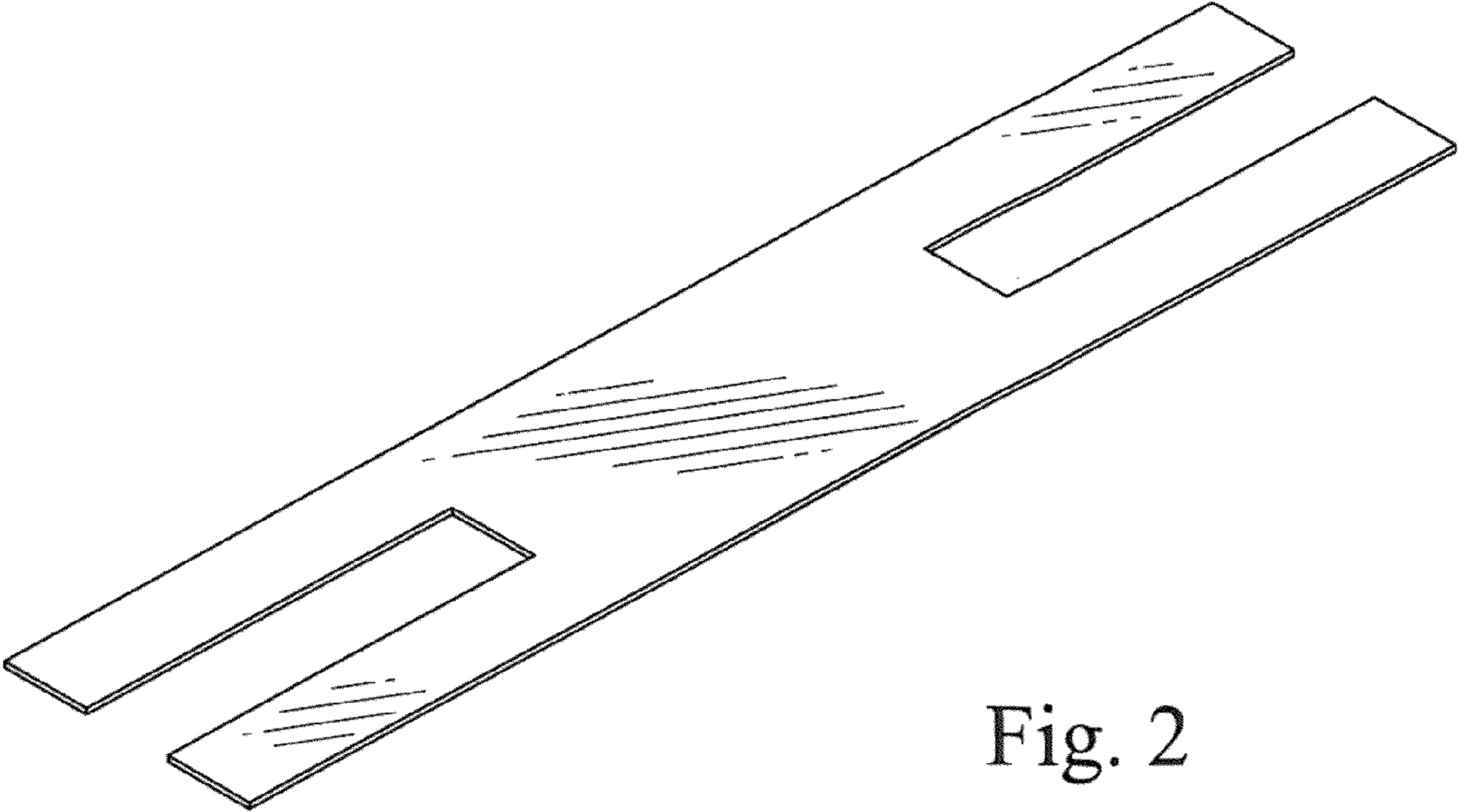


Fig. 2

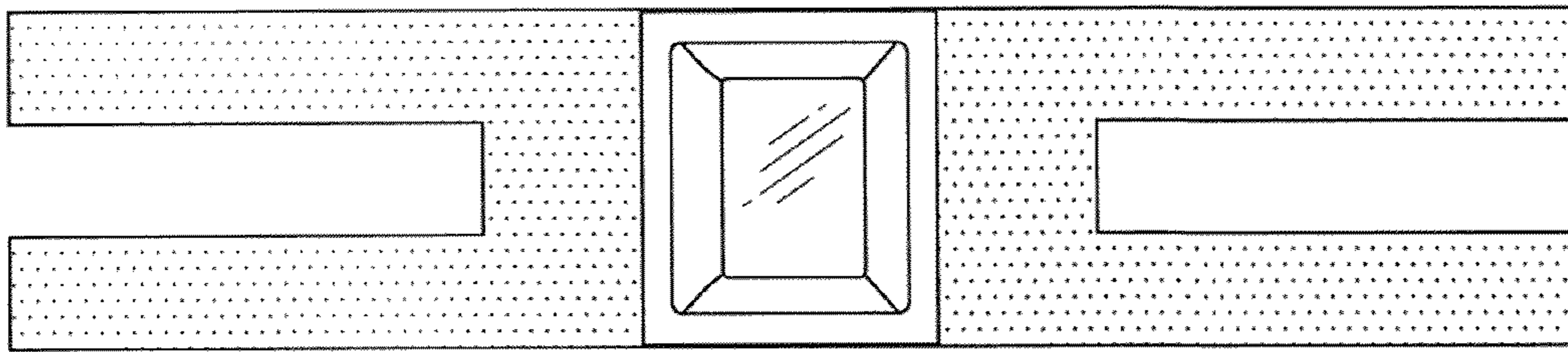


Fig. 3

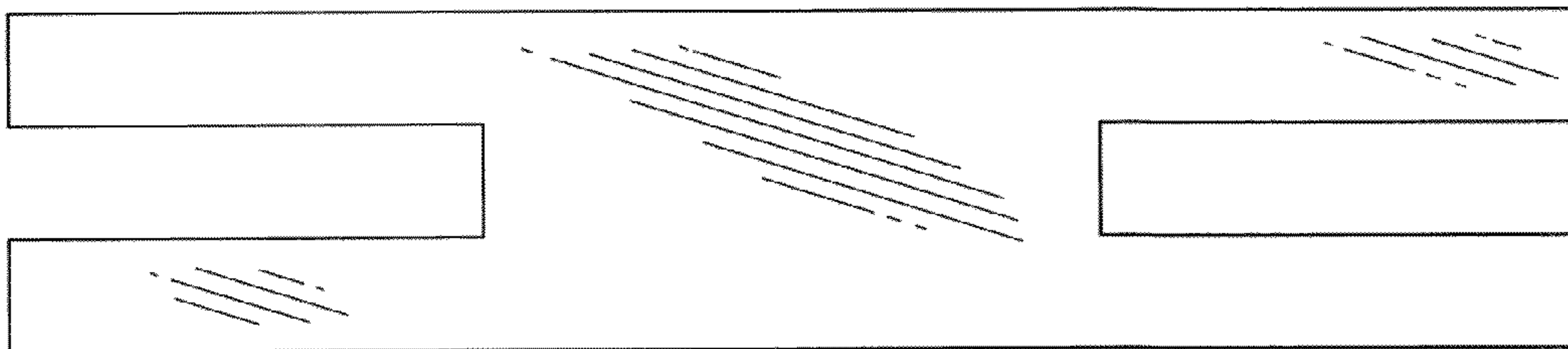


Fig. 4



Fig. 5



Fig. 6



Fig. 7

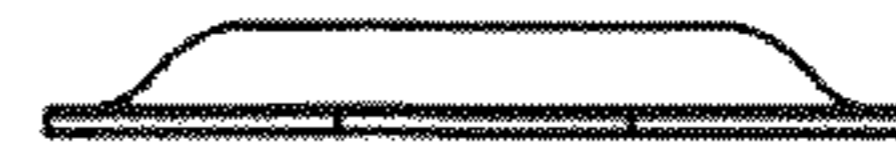


Fig. 8

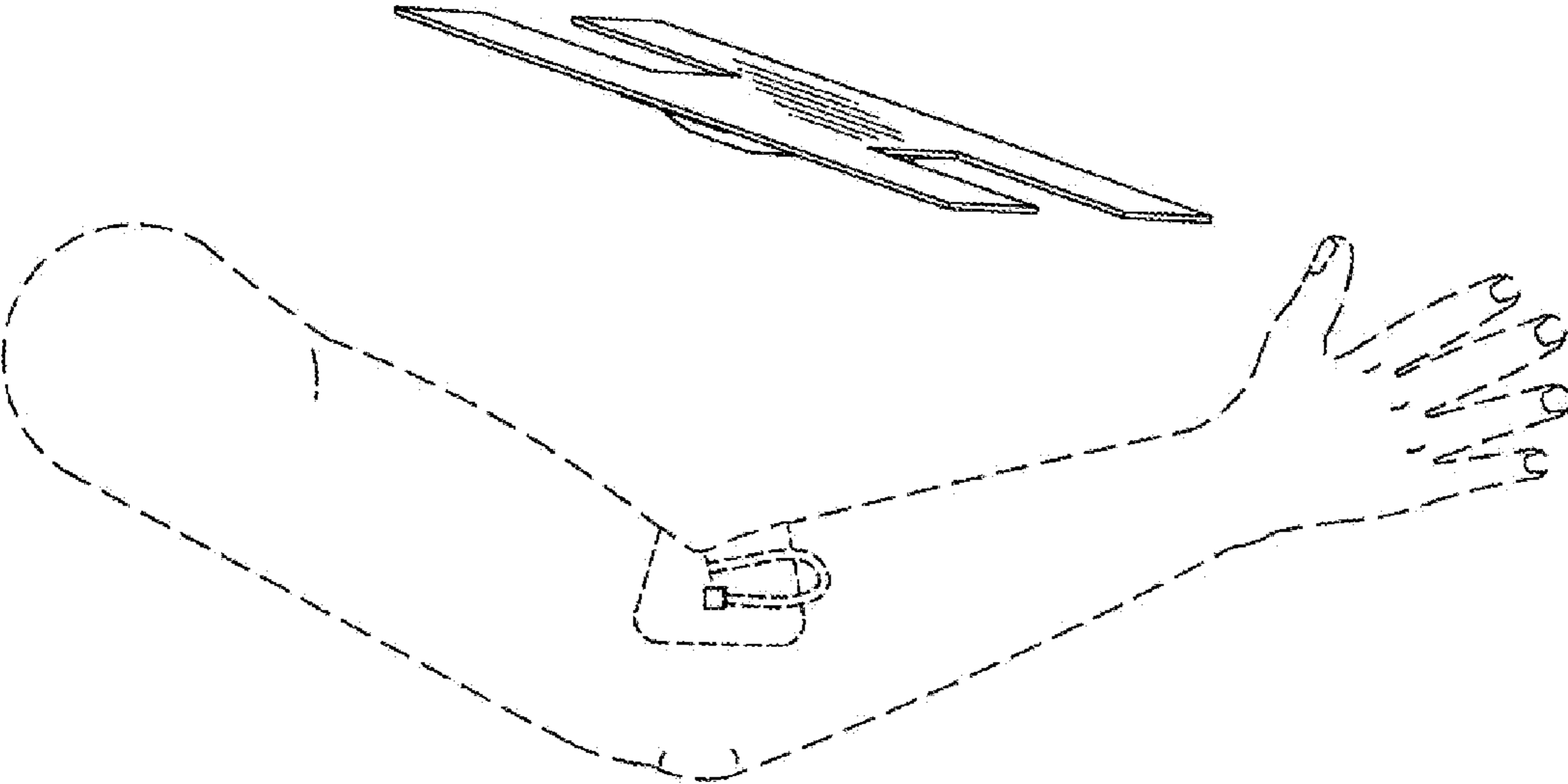


Fig. 9