

US00D663019S

(12) **United States Design Patent**  
**Purnell**

(10) **Patent No.:** **US D663,019 S**  
(45) **Date of Patent:** **\*\* Jul. 3, 2012**

(54) **SHROUD COMPONENT FOR A TEMPERATURE CONTROL SYSTEM**

(76) Inventor: **Thomas L Purnell**, Genoa City, WI (US)

(\*\*) Term: **14 Years**

(21) Appl. No.: **29/408,237**

(22) Filed: **Dec. 8, 2011**

**Related U.S. Application Data**

(63) Continuation-in-part of application No. 13/281,164, filed on Oct. 25, 2011.

(51) **LOC (9) Cl.** ..... **23-04**

(52) **U.S. Cl.** ..... **D23/386**

(58) **Field of Classification Search** ..... D23/385-395, D23/397, 370-373, 365, 351, 354, 399-403, D23/421, 499, 411; 454/309, 275-277, 284, 454/287-291, 358-363; 52/302.1, 32.07; D8/354, 366, 381; D25/141; 236/49.1-49.5; D9/424, 425; 172/92; D13/156; D15/7; 123/41.49; D12/317; 165/41; 415/1, 200  
See application file for complete search history.

(56) **References Cited**

**U.S. PATENT DOCUMENTS**

D253,516 S \* 11/1979 Meierhoefer ..... D9/424  
4,176,245 A \* 11/1979 Merlack et al. .... 174/92  
D303,656 S \* 9/1989 Wong et al. .... D13/156  
D322,790 S \* 12/1991 Bekius ..... D15/7  
5,740,766 A \* 4/1998 Moser ..... 123/41.49

D398,849 S \* 9/1998 Hamilton et al. .... D9/425  
D416,535 S \* 11/1999 Rudofsky ..... D12/317  
D419,518 S \* 1/2000 Harrison ..... D12/317  
6,155,335 A \* 12/2000 Acre et al. .... 165/41  
D440,929 S \* 4/2001 Marko et al. .... D23/411  
D450,240 S \* 11/2001 Haag et al. .... D9/425  
6,622,783 B2 \* 9/2003 Hitt et al. .... 123/41.49  
D532,095 S \* 11/2006 Calkins ..... D23/370  
7,384,234 B2 \* 6/2008 Petersen et al. .... 415/1  
D594,963 S \* 6/2009 McElveen et al. .... D23/386  
D609,086 S \* 2/2010 Dickinson ..... D9/424  
D610,449 S \* 2/2010 Lessard ..... D9/425  
D635,848 S \* 4/2011 Lawrence et al. .... D9/425  
8,096,758 B2 \* 1/2012 Schiavo ..... 415/200

\* cited by examiner

*Primary Examiner* — David Muller

(74) *Attorney, Agent, or Firm* — Valauskas Corder LLC

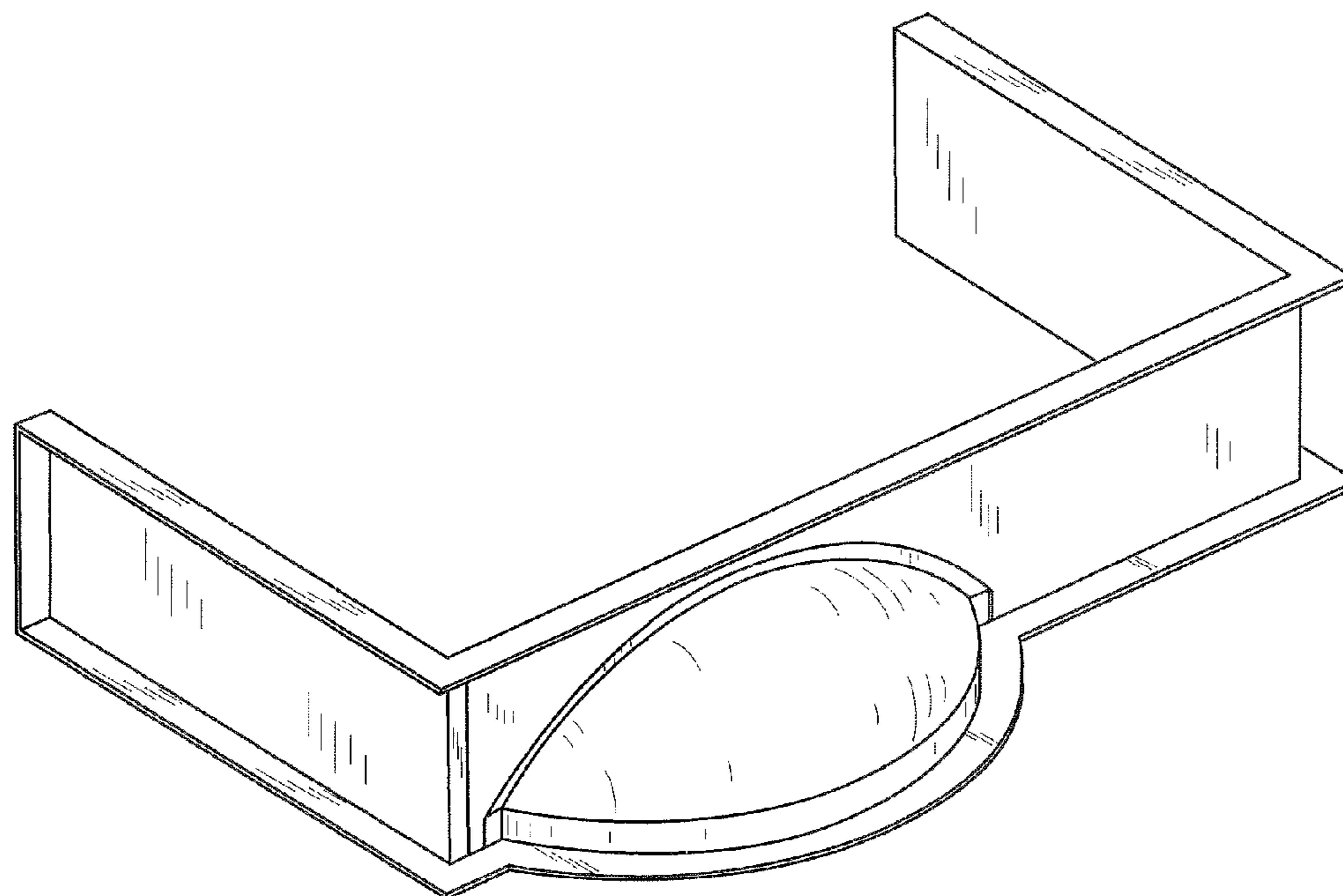
(57) **CLAIM**

The ornamental design for a shroud component for a temperature control system, as shown and described.

**DESCRIPTION**

FIG. 1 is a top perspective view of a shroud component according to the present invention;  
FIG. 2 is a bottom perspective view thereof;  
FIG. 3 is a front elevation view thereof;  
FIG. 4 is a rear elevation view thereof;  
FIG. 5 is a right side elevation view thereof;  
FIG. 6 is a left side elevation view thereof;  
FIG. 7 is a top plan view thereof; and,  
FIG. 8 is a bottom plan view thereof.

**1 Claim, 4 Drawing Sheets**



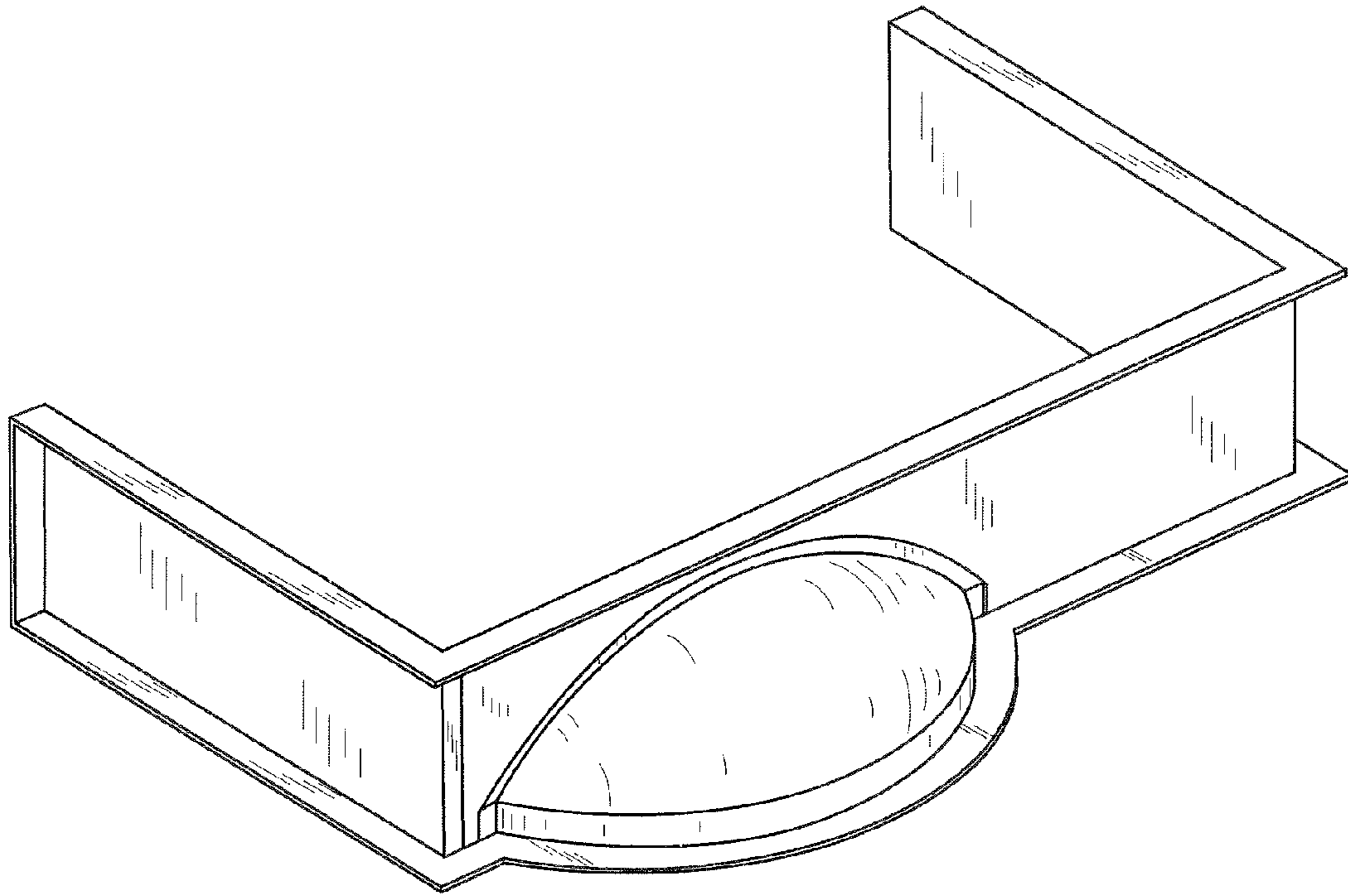


FIG. 1

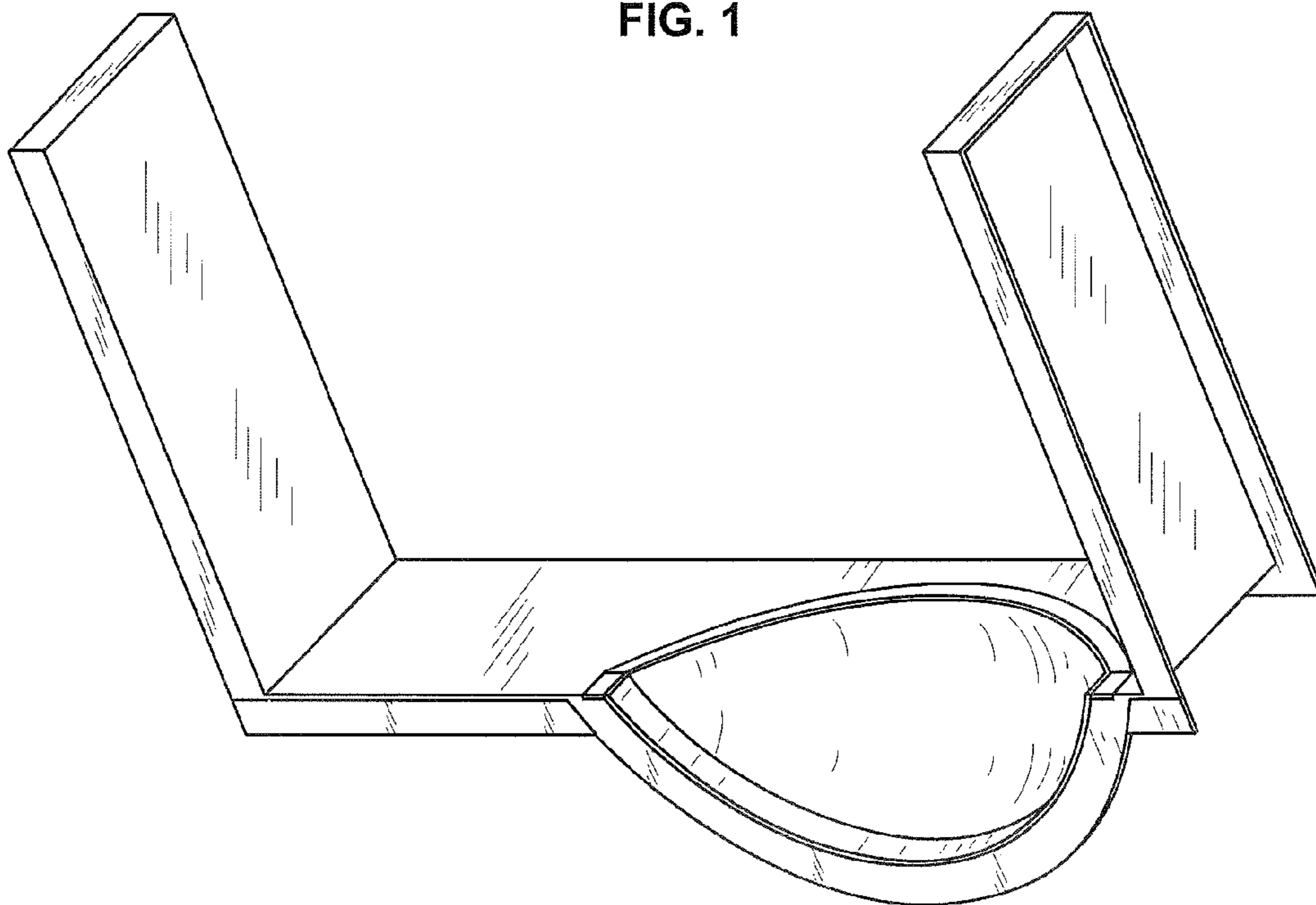


FIG. 2

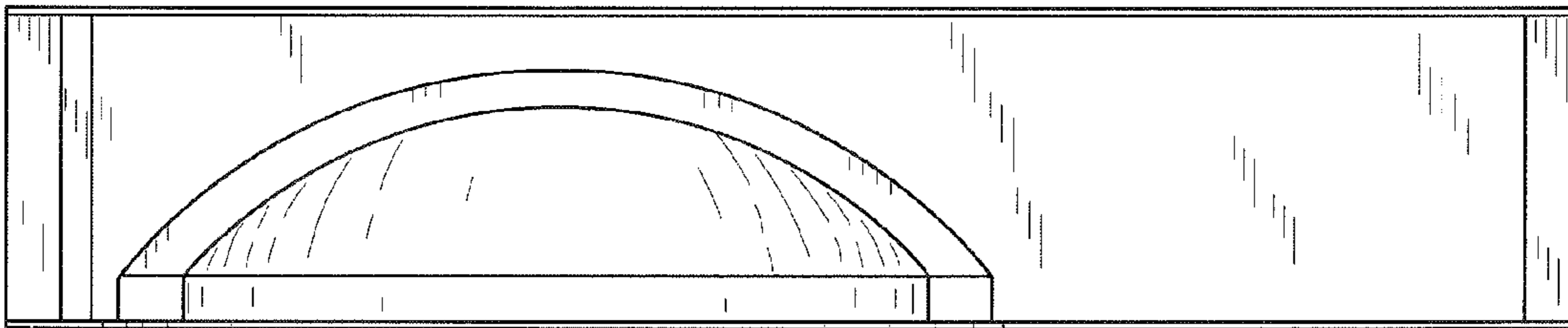


FIG. 3

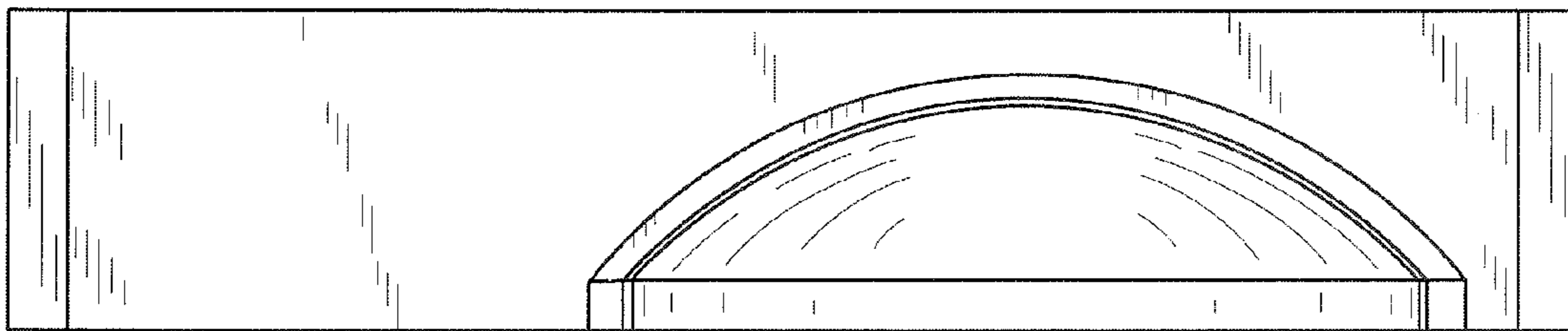


FIG. 4

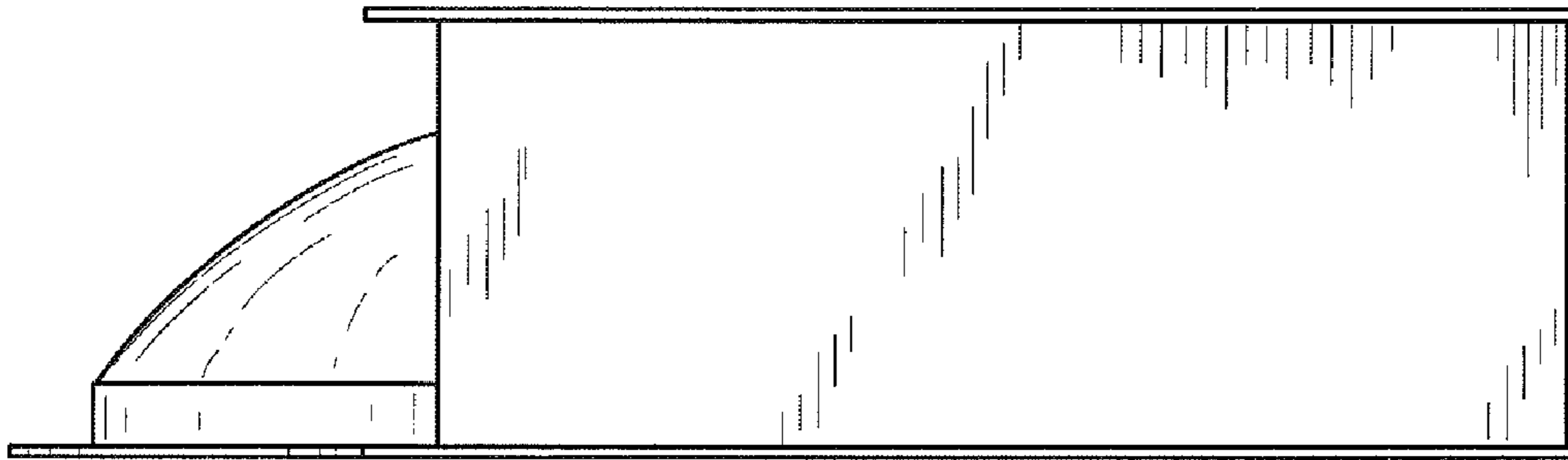


FIG. 5

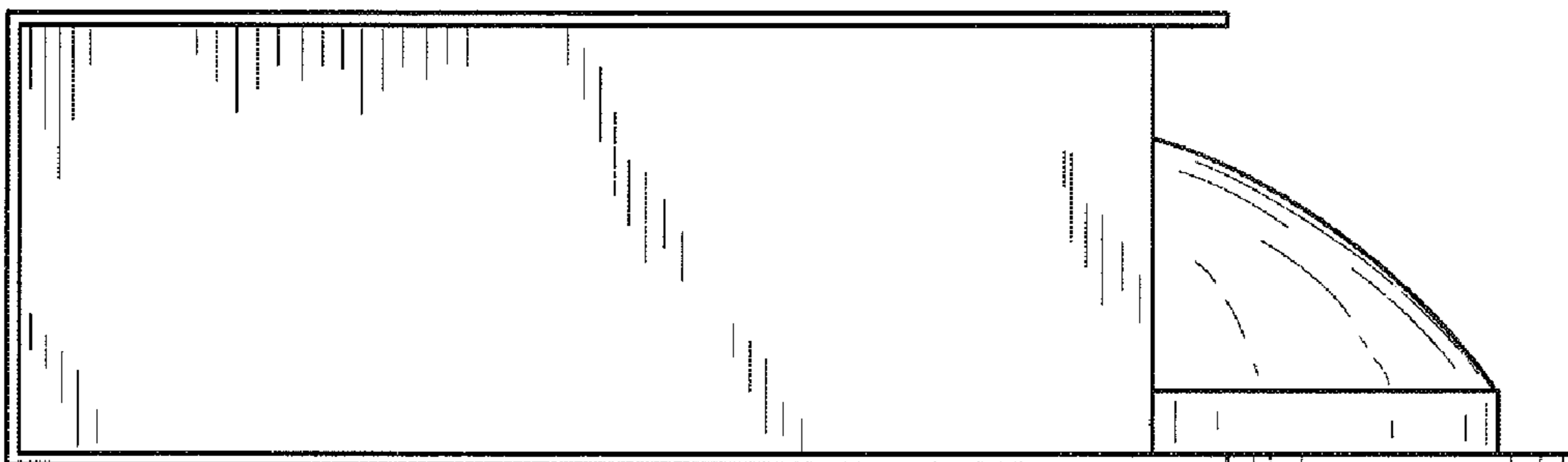


FIG. 6

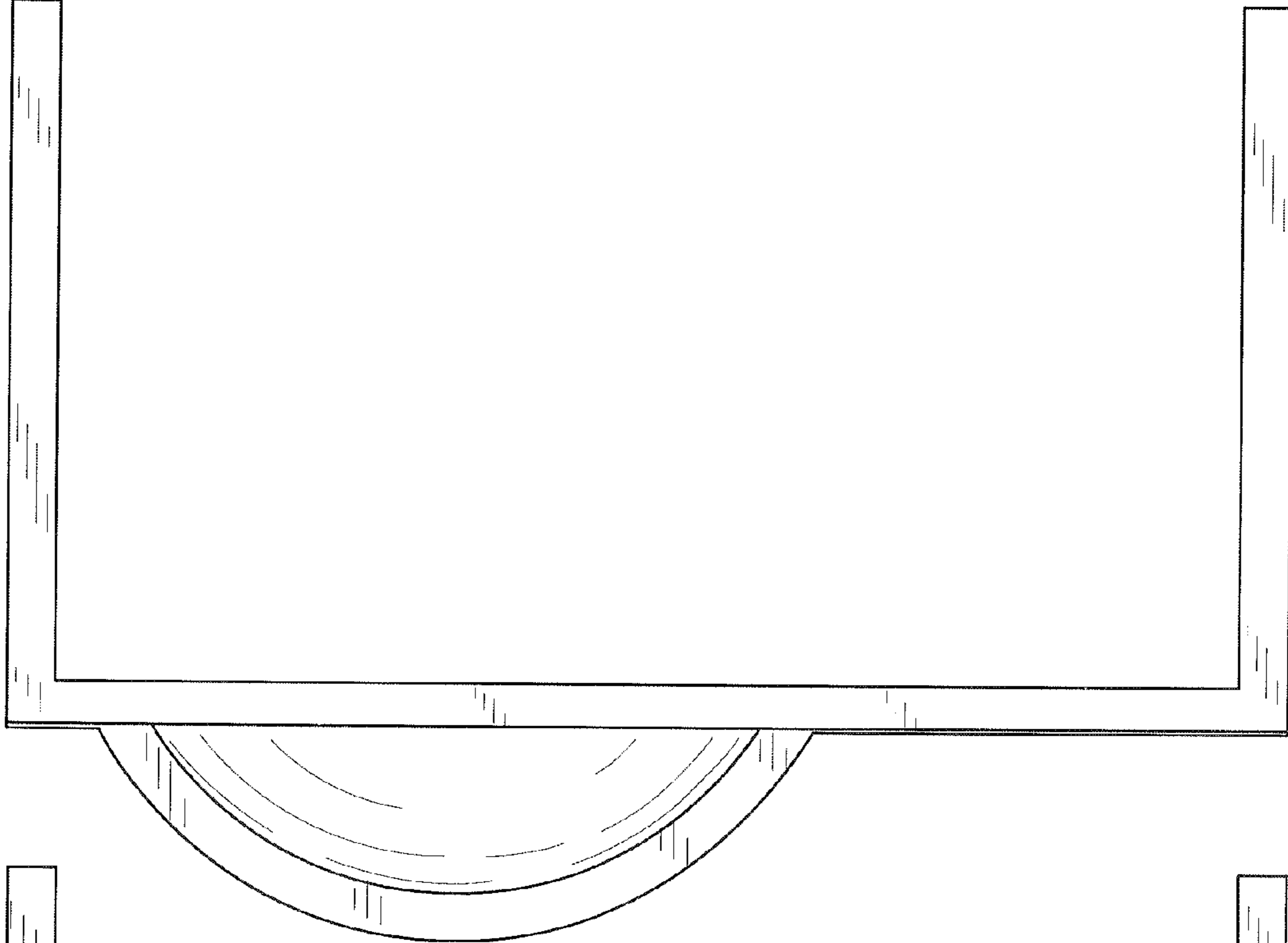


FIG. 7

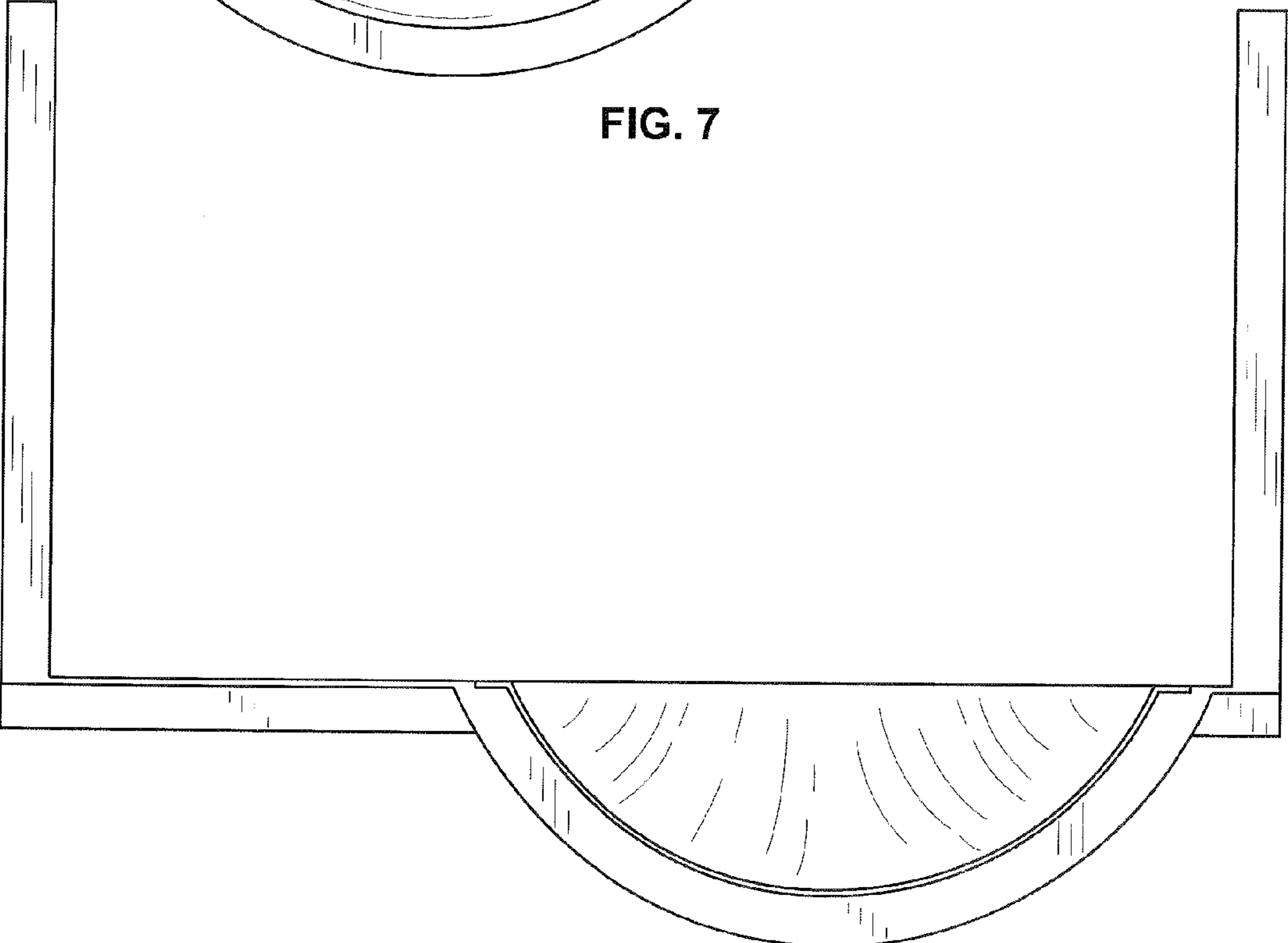


FIG. 8