



US00D663017S

(12) **United States Design Patent**  
**Slothower et al.**

(10) **Patent No.:** **US D663,017 S**  
(45) **Date of Patent:** **\*\* Jul. 3, 2012**

(54) **LAVATORY**

(75) Inventors: **Anna-Pia Slothower**, Mill Valley, CA (US); **Emily K. DuFour**, Sheboygan, WI (US)

(73) Assignee: **Kohler Co.**, Kohler, WI (US)

(\*\*) Term: **14 Years**

(21) Appl. No.: **29/410,968**

(22) Filed: **Jan. 13, 2012**

**Related U.S. Application Data**

(63) Continuation of application No. 29/356,682, filed on Mar. 1, 2010, now Pat. No. Des. 652,492, which is a continuation-in-part of application No. 29/336,036, filed on Apr. 27, 2009, now Pat. No. Des. 612,466.

(51) **LOC (9) Cl.** ..... **23-02**

(52) **U.S. Cl.** ..... **D23/308**

(58) **Field of Classification Search** ..... D23/284–287, D23/290–293.1, 308; 4/619, 637, 639–640, 4/642

See application file for complete search history.

(56) **References Cited**

**U.S. PATENT DOCUMENTS**

D475,579 S \* 6/2003 Jørgensen ..... D7/545

D521,616 S \* 5/2006 Bates ..... D23/293.1

D537,926 S \* 3/2007 Sutopo ..... D23/293.1

\* cited by examiner

*Primary Examiner* — Robert A Delehanty

(74) *Attorney, Agent, or Firm* — Foley & Lardner LLP

(57) **CLAIM**

We claim the ornamental design for a lavatory, as shown and described.

**DESCRIPTION**

FIG. 1 is a top perspective view of an embodiment of the claimed design;

FIG. 2 is a top plan view of the claimed design of FIG. 1;

FIG. 3 is a front elevation view of the claimed design of FIG. 1;

FIG. 4 is a right-side elevation view of the claimed design of FIG. 1, the left-side elevation view being a mirror image of the right side shown;

FIG. 5 is a rear elevation view of the claimed design of FIG. 1;

FIG. 6 is a bottom plan view of the claimed design of FIG. 1; and,

FIG. 7 is a cross-sectional view of the claimed design of FIG. 1 taken along line 7-7 of FIG. 2.

The ornamental design which is claimed is shown in solid lines in the drawings. The broken lines in the drawings are for illustrative purposes only and form no part of the claimed design.

**1 Claim, 4 Drawing Sheets**

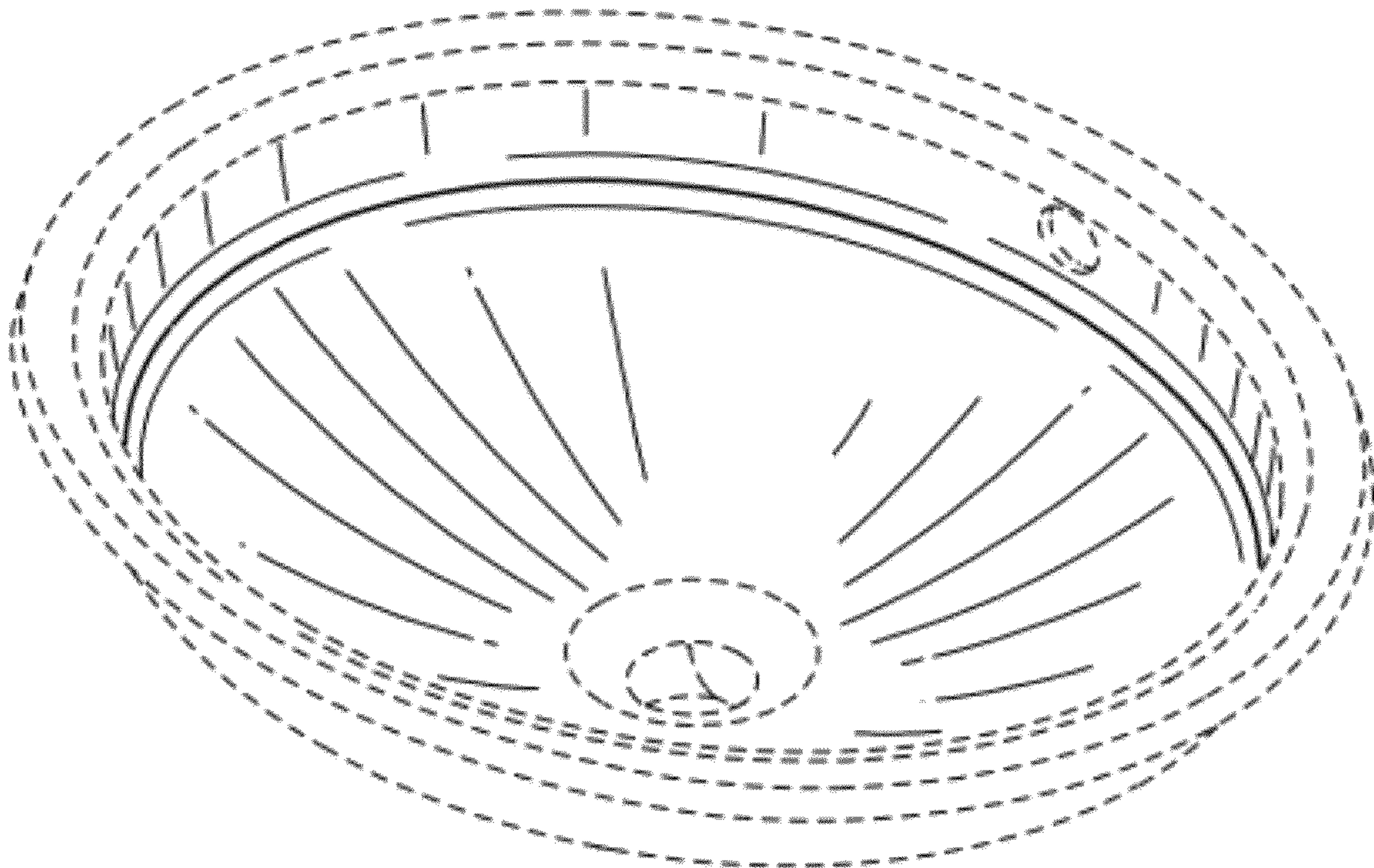


FIG. 1

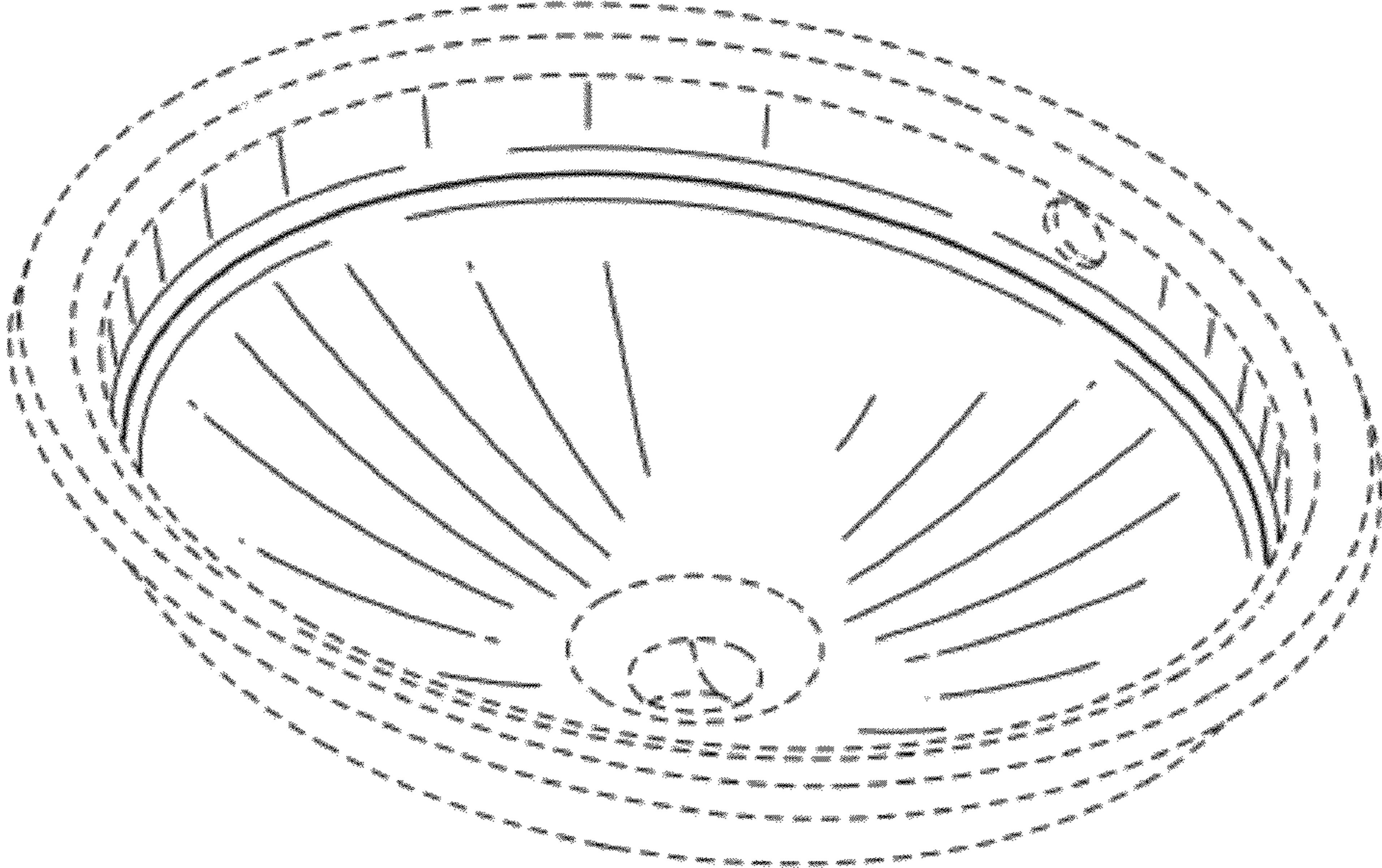


FIG. 2

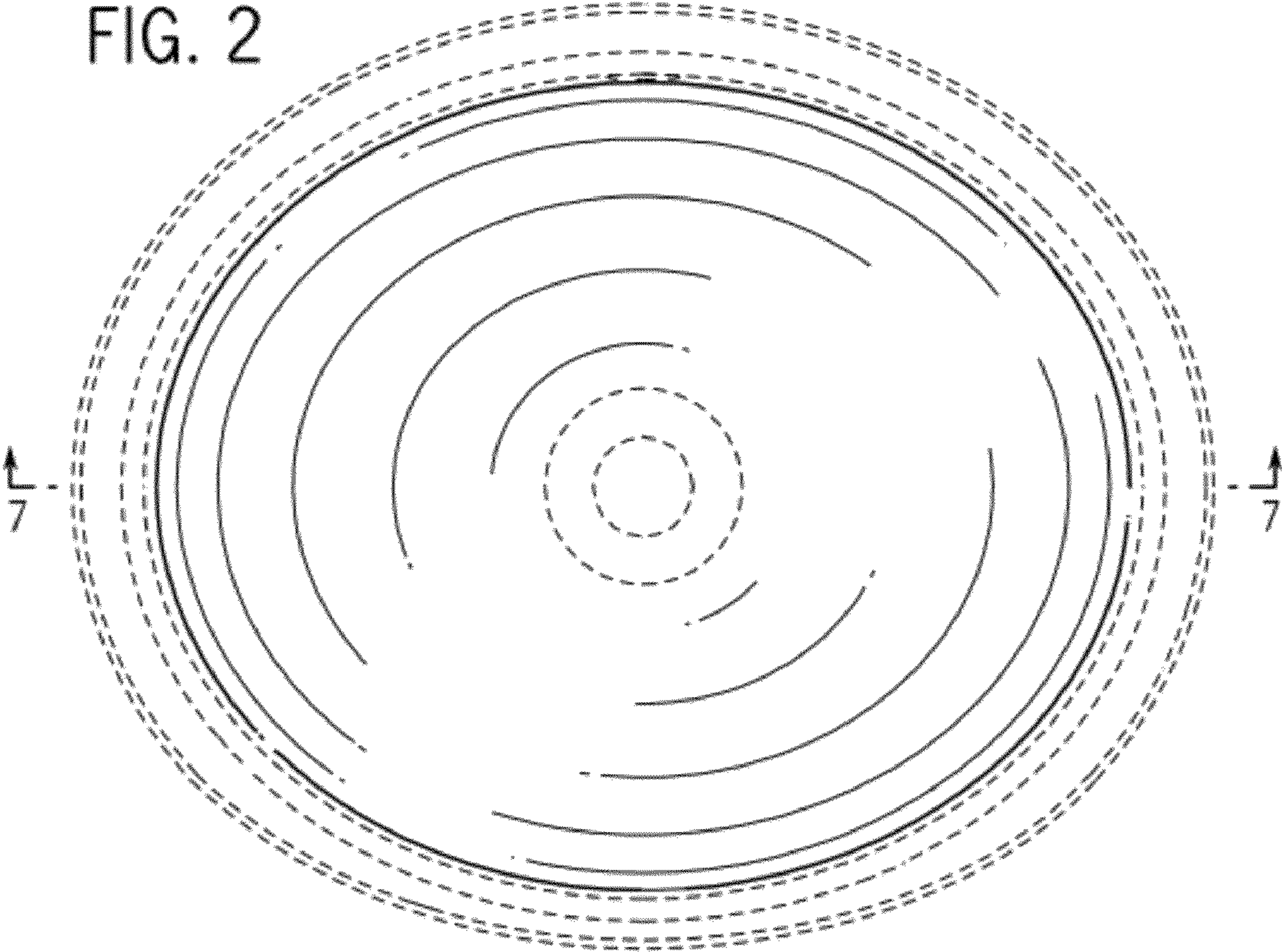


FIG. 3

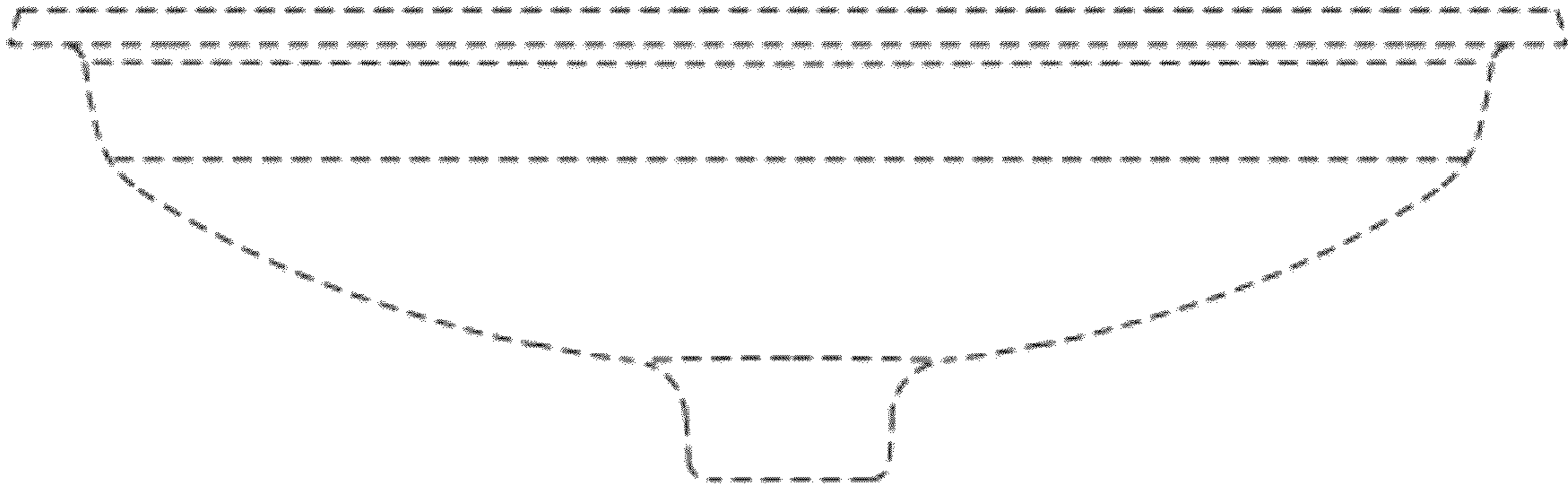


FIG. 4

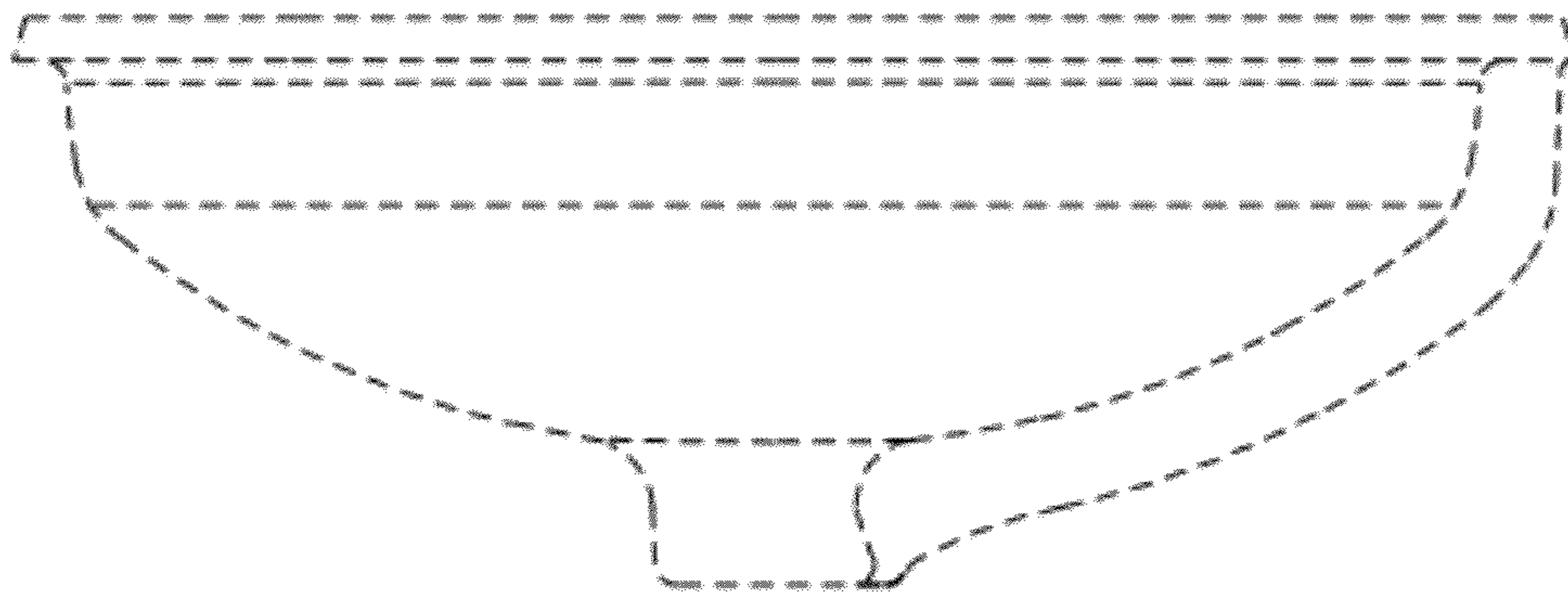


FIG. 5

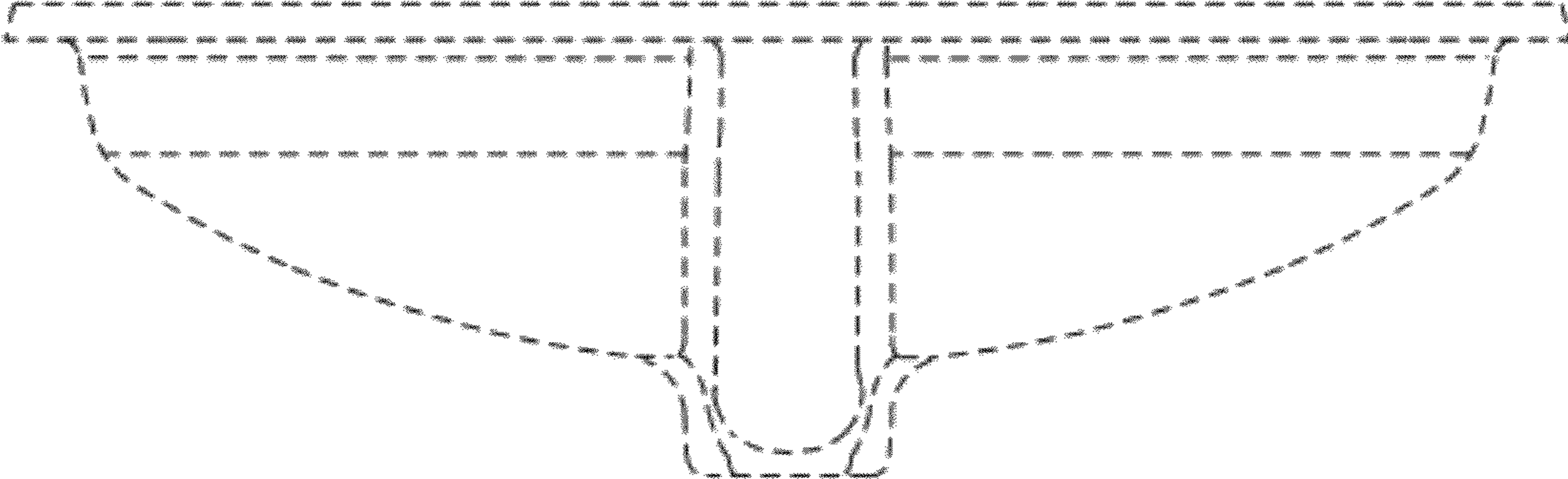


FIG. 6

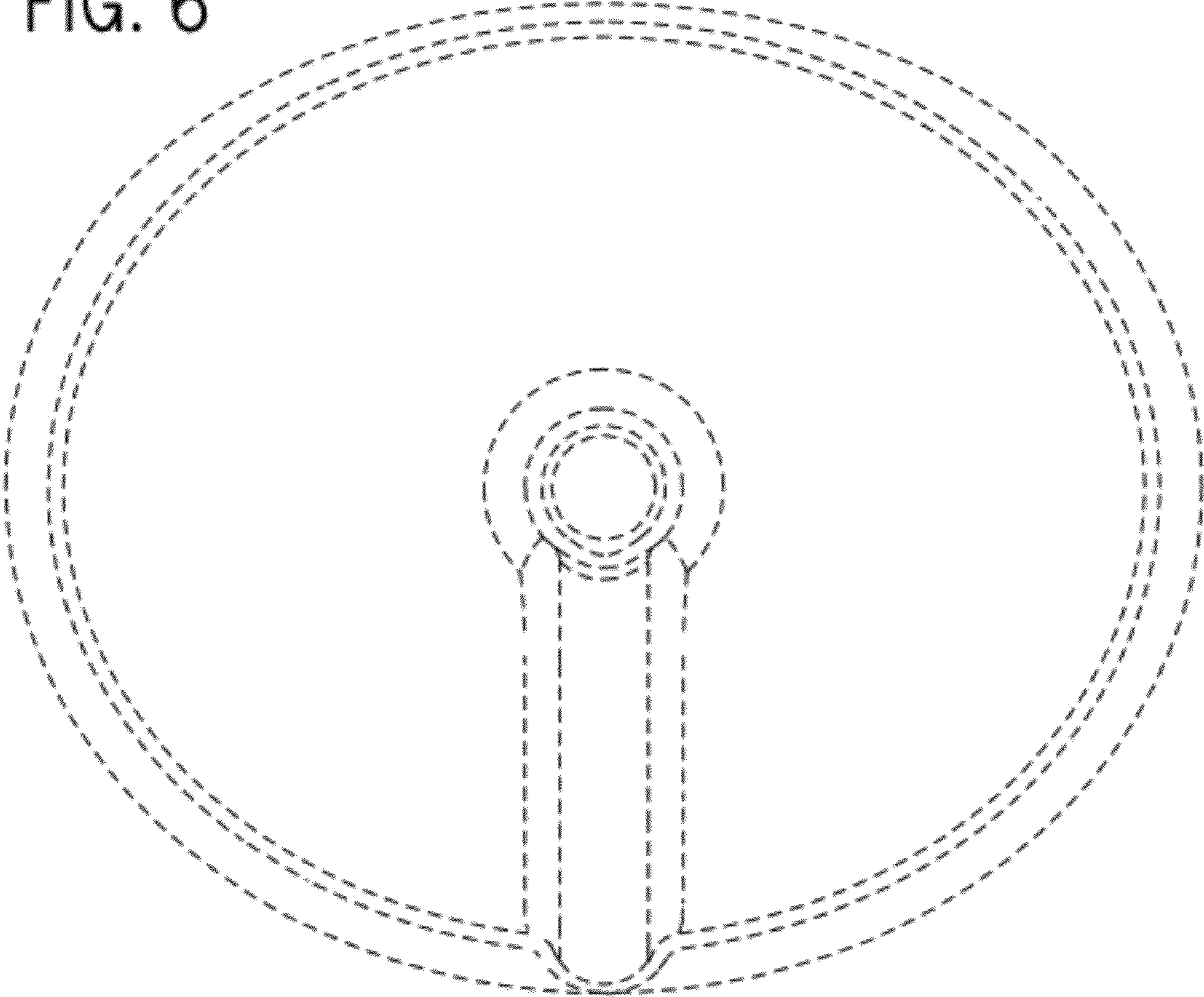


FIG. 7

