



US00D663013S

(12) **United States Design Patent**  
**Chen**

(10) **Patent No.:** **US D663,013 S**

(45) **Date of Patent:** **\*\* Jul. 3, 2012**

(54) **WATER SPRINKLER**

(75) Inventor: **Chin-Yuan Chen**, Changhua (TW)

(73) Assignee: **Shin Tai Spurt Water of the Garden Tools Co. Ltd.**, Changhua (TW)

(\*\*) Term: **14 Years**

(21) Appl. No.: **29/402,846**

(22) Filed: **Sep. 28, 2011**

(51) **LOC (9) Cl.** ..... **23-01**

(52) **U.S. Cl.** ..... **D23/226**

(58) **Field of Classification Search** ..... D23/213,  
D23/223, 226; 239/526, 527, 532

See application file for complete search history.

(56) **References Cited**

U.S. PATENT DOCUMENTS

D453,548 S *	2/2002	Wang	.....	D23/226
D458,664 S *	6/2002	Wang	.....	D23/226
D462,741 S *	9/2002	Guo	.....	D23/226
D466,187 S *	11/2002	Kuo	.....	D23/226
D469,850 S *	2/2003	Nien	.....	D23/226
D553,224 S *	10/2007	Chih	.....	D23/226
D553,711 S *	10/2007	Chih	.....	D23/226
D604,395 S *	11/2009	Zore	.....	D23/226
D605,251 S *	12/2009	Zore	.....	D23/226
D652,112 S *	1/2012	Chen	.....	D23/226

\* cited by examiner

*Primary Examiner* — Robin V Webster

(74) *Attorney, Agent, or Firm* — Che-Yang Chen; Law Office of Michael Chen

(57) **CLAIM**

The ornamental design for a water sprinkler, as shown and described.

**DESCRIPTION**

FIG. 1 is a perspective view of a water sprinkler showing my new design;

FIG. 2 is a front view of the embodiment shown in FIG. 1;

FIG. 3 is a rear view of the embodiment shown in FIG. 1;

FIG. 4 is a left side view of the embodiment shown in FIG. 1;

FIG. 5 is a right side view of the embodiment shown in FIG. 1;

FIG. 6 is a top view of the embodiment shown in FIG. 1;

FIG. 7 is a bottom view of the embodiment shown in FIG. 1;

and,

FIG. 8 is a perspective schematic view illustrating an application of a water sprinkler showing my design.

The broken lines in FIGS. 8 are for illustrative purposes only

and form no part of the claimed design.

**1 Claim, 8 Drawing Sheets**

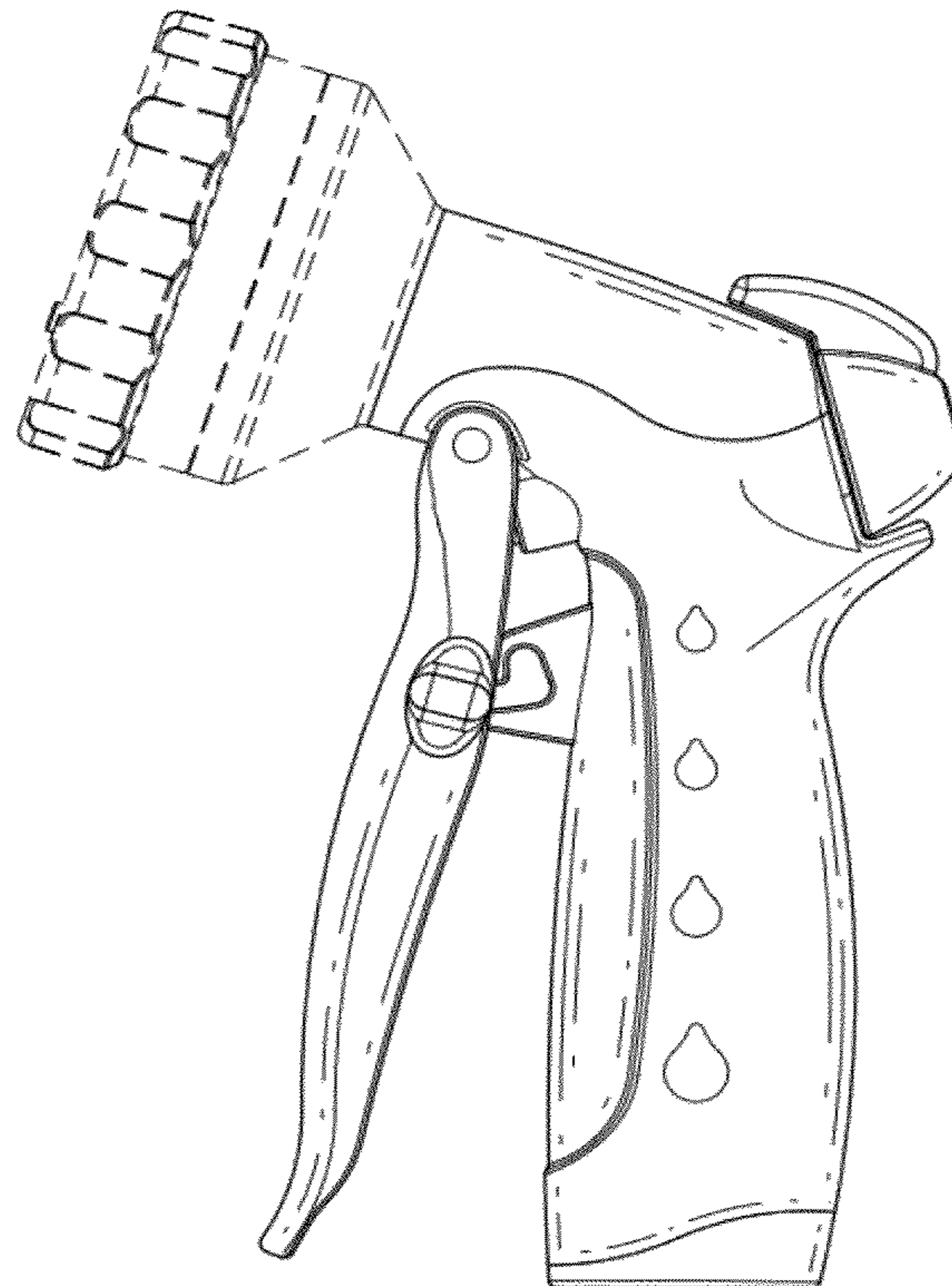




FIG. 1

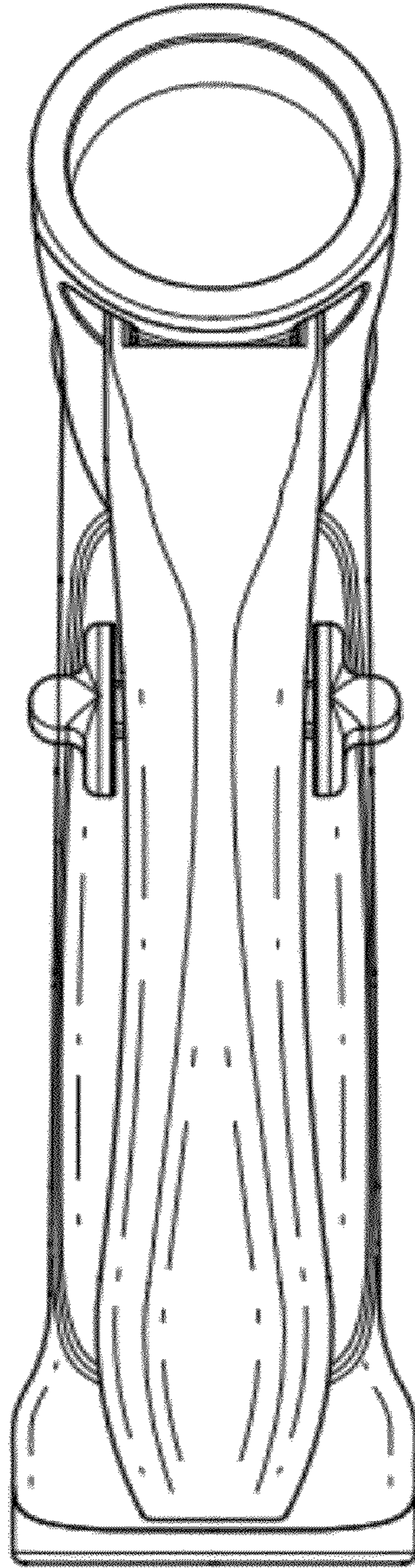


FIG. 2

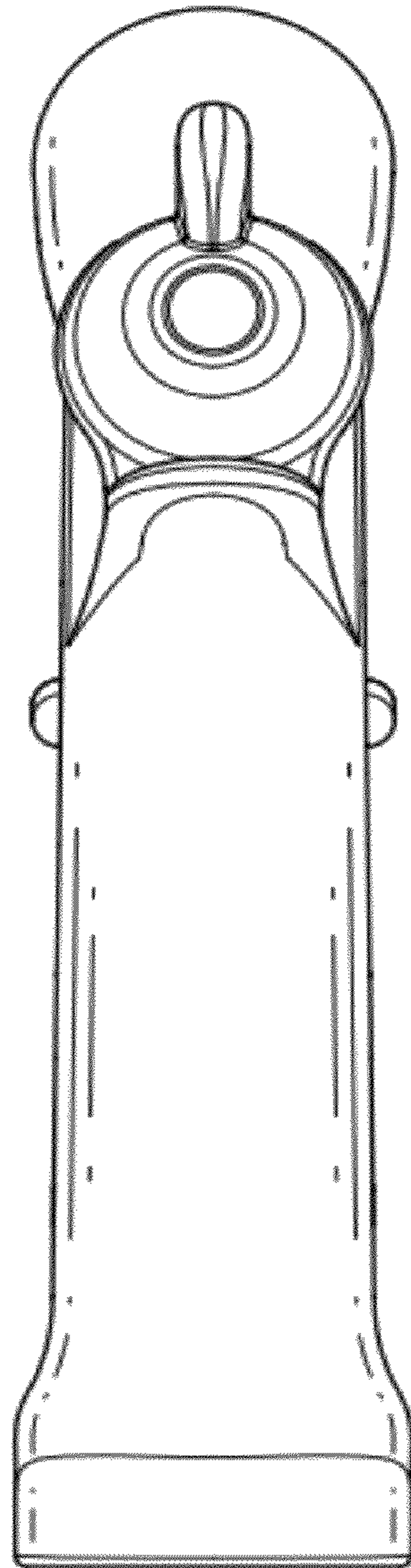


FIG. 3

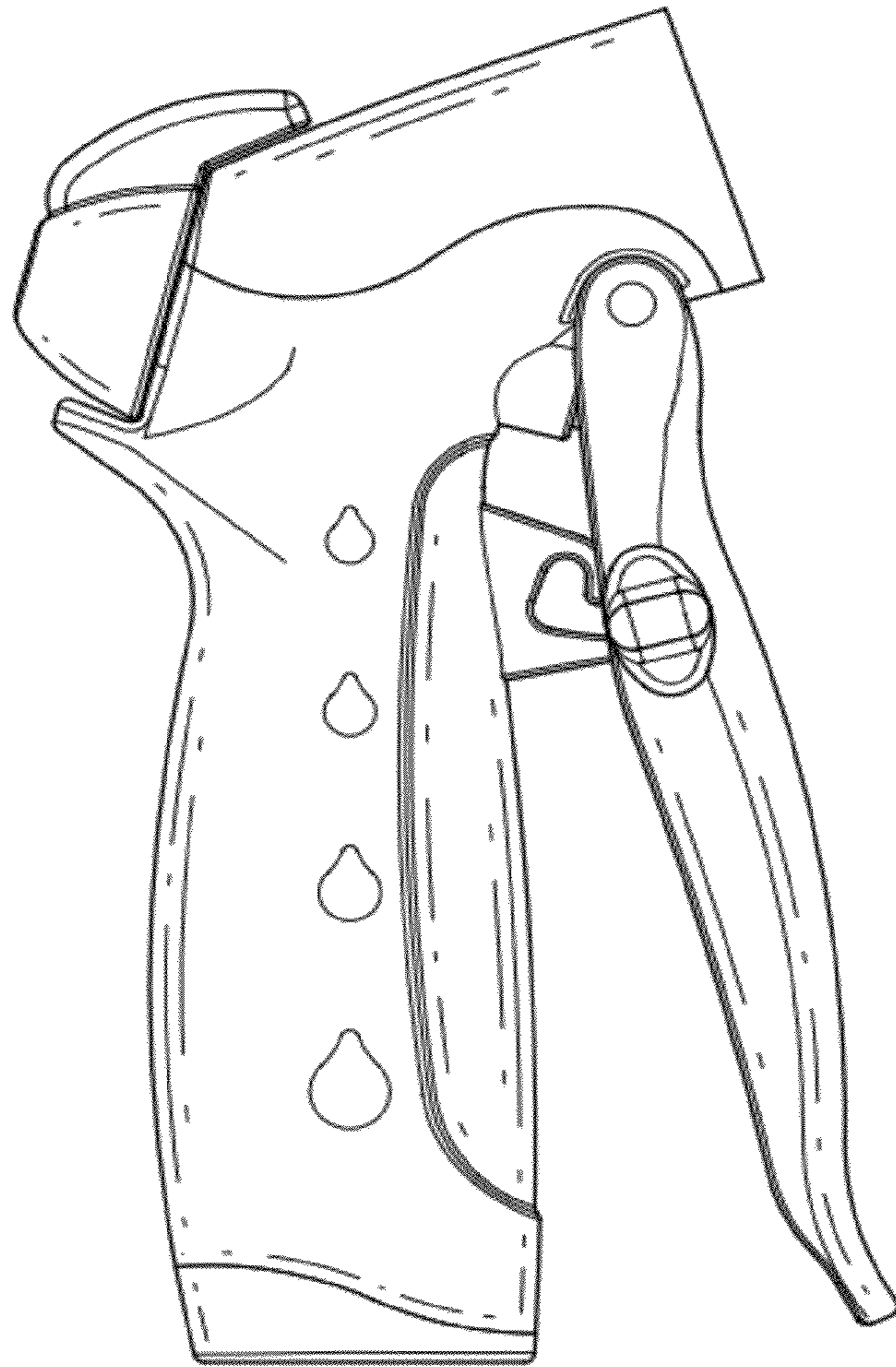


FIG. 4



FIG. 5

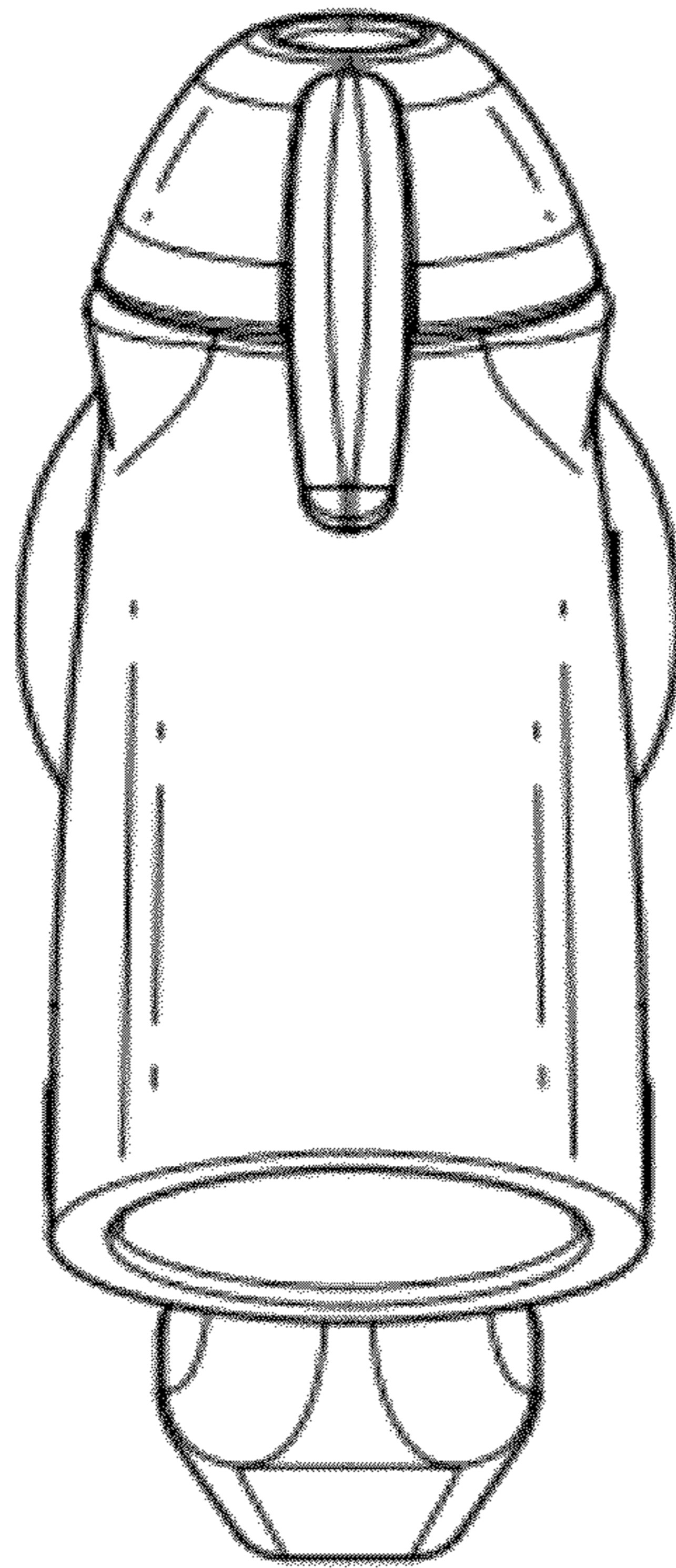


FIG. 6

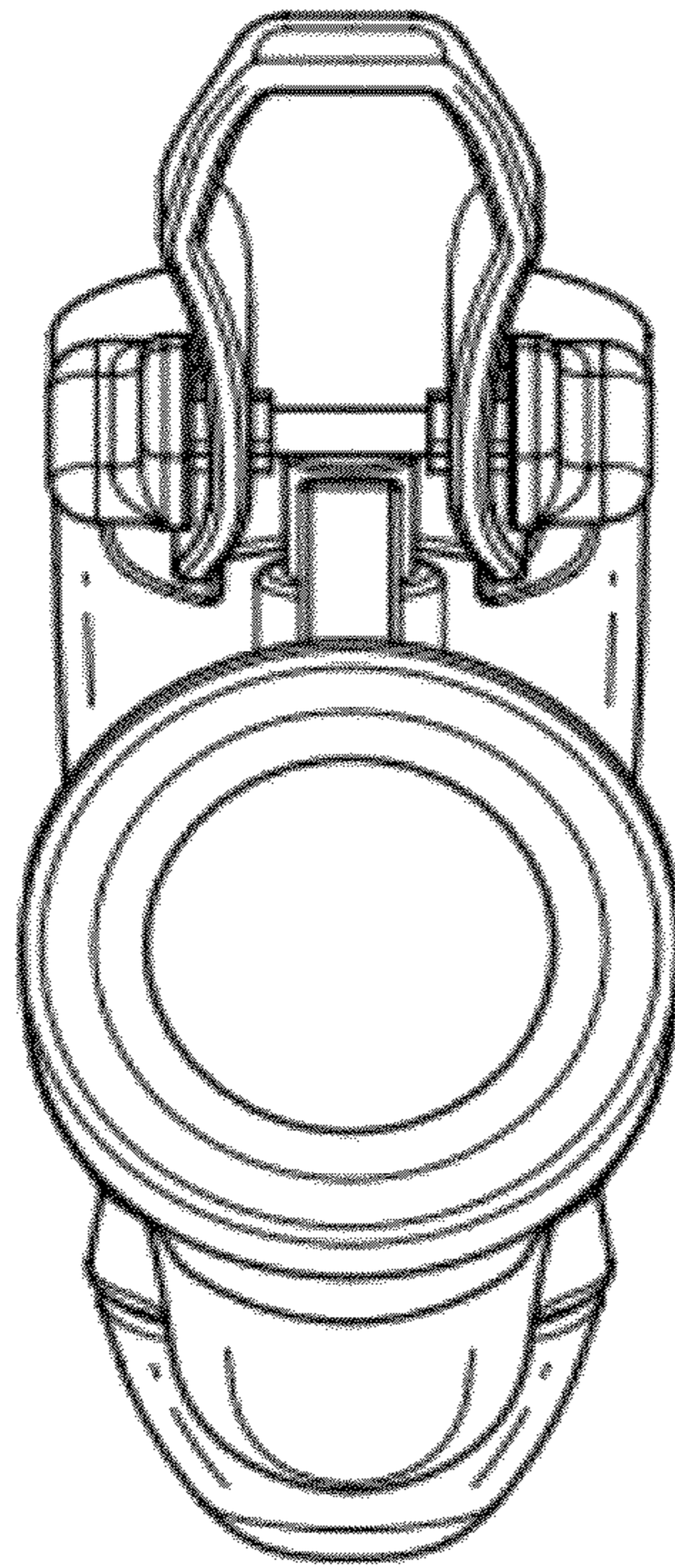


FIG. 7



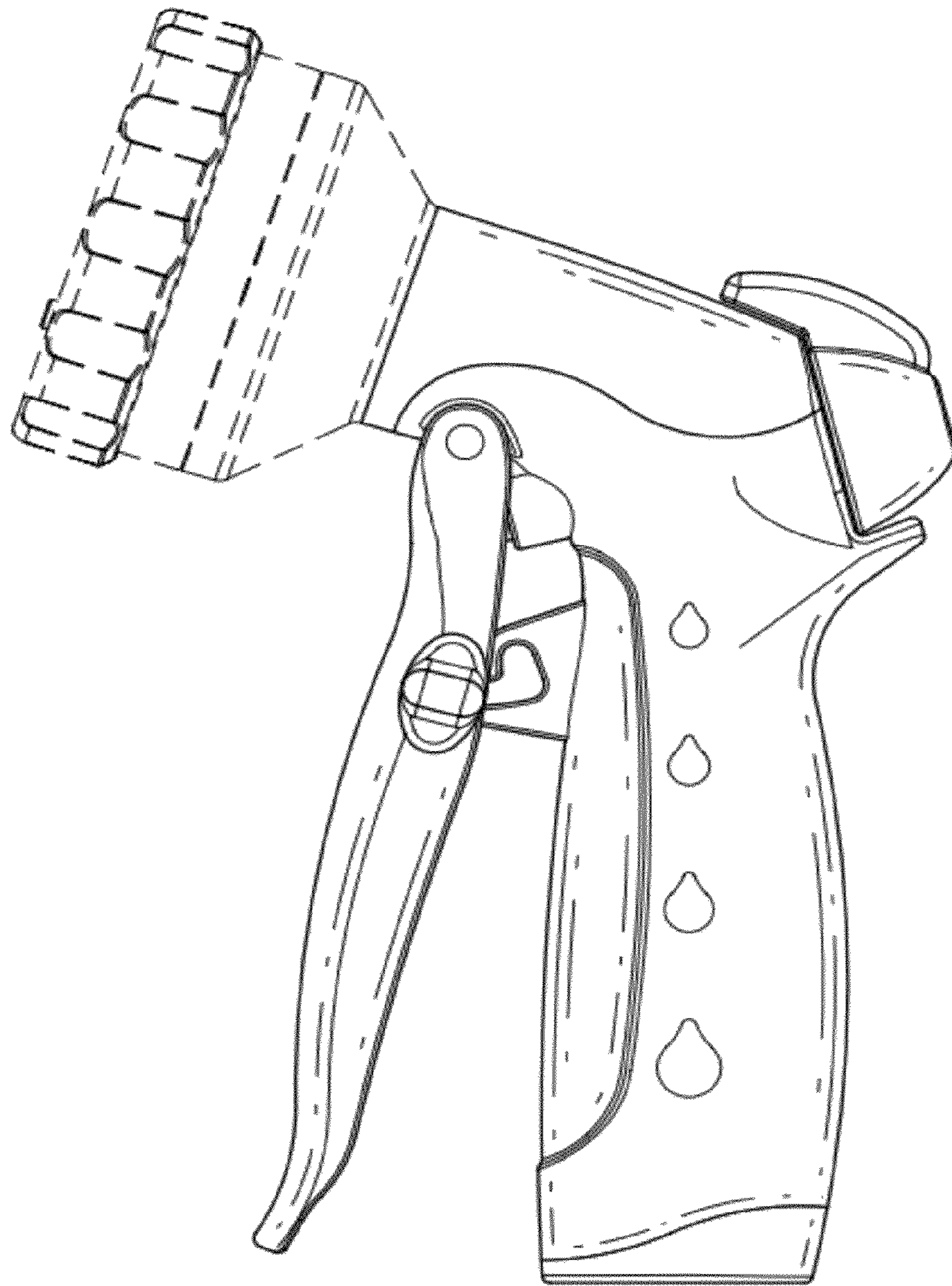


FIG. 8