



US00D663010S

(12) **United States Design Patent**
Watson

(10) **Patent No.:** **US D663,010 S**
(45) **Date of Patent:** **** Jul. 3, 2012**

(54) **FLOW SHAPER FOR A FIRE PROTECTION SPRINKLER**

Primary Examiner — Robin V Webster

(74) *Attorney, Agent, or Firm* — Harness, Dickey & Pierce, P.L.C.

(75) Inventor: **Jason Watson**, Hastings, MI (US)

(73) Assignee: **The Viking Corporation**, Hastings, MI (US)

(57) **CLAIM**

The ornamental design for a flow shaper for a fire protection sprinkler, as shown and described.

(**) Term: **14 Years**

(21) Appl. No.: **29/405,342**

(22) Filed: **Nov. 1, 2011**

DESCRIPTION

(51) **LOC (9) Cl.** **23-01**

(52) **U.S. Cl.** **D23/214**

(58) **Field of Classification Search** D23/213,
D23/214; 169/37-40, 42; 29/890.143
See application file for complete search history.

FIG. 1 is a perspective view of a flow shaper for a fire protection sprinkler;

FIG. 2 is a front plan view of the flow shaper for a fire protection sprinkler shown in FIG. 1;

FIG. 3 is a left side view of the flow shaper for a fire protection sprinkler shown in FIG. 1;

FIG. 4 is a bottom plan view of the flow shaper for a fire protection sprinkler shown in FIG. 1;

FIG. 5 is a right side view of the flow shaper for a fire protection sprinkler shown in FIG. 1; and,

FIG. 6 is a top plan view of the flow shaper for a fire protection sprinkler shown in FIG. 1.

The back view is not considered to be ornamental.

The lines shown in phantom are for illustrative purposes only and do not form part of the invention.

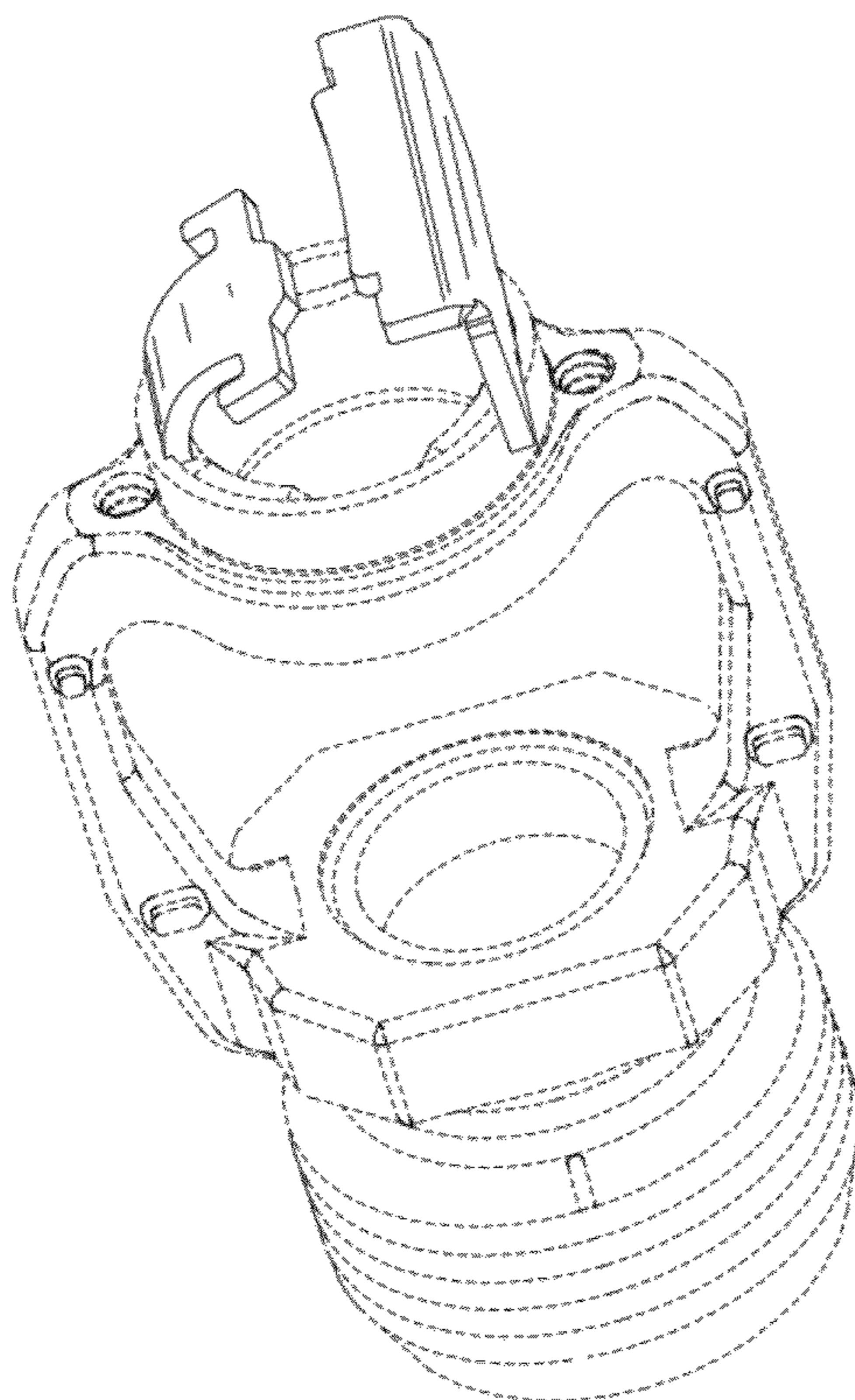
(56) **References Cited**

U.S. PATENT DOCUMENTS

D550,807	S	*	9/2007	Franson et al.	D23/213
D552,711	S	*	10/2007	Franson et al.	D23/213
D570,954	S	*	6/2008	Franson et al.	D23/213
D570,955	S	*	6/2008	Franson et al.	D23/213
D577,792	S	*	9/2008	Franson et al.	D23/213
7,712,218	B2	*	5/2010	Franson et al.	29/890.143
7,841,418	B2	*	11/2010	Pahila et al.	169/37
7,854,269	B2	*	12/2010	Franson et al.	169/37
8,151,462	B2	*	4/2012	Franson et al.	29/890.143

* cited by examiner

1 Claim, 6 Drawing Sheets



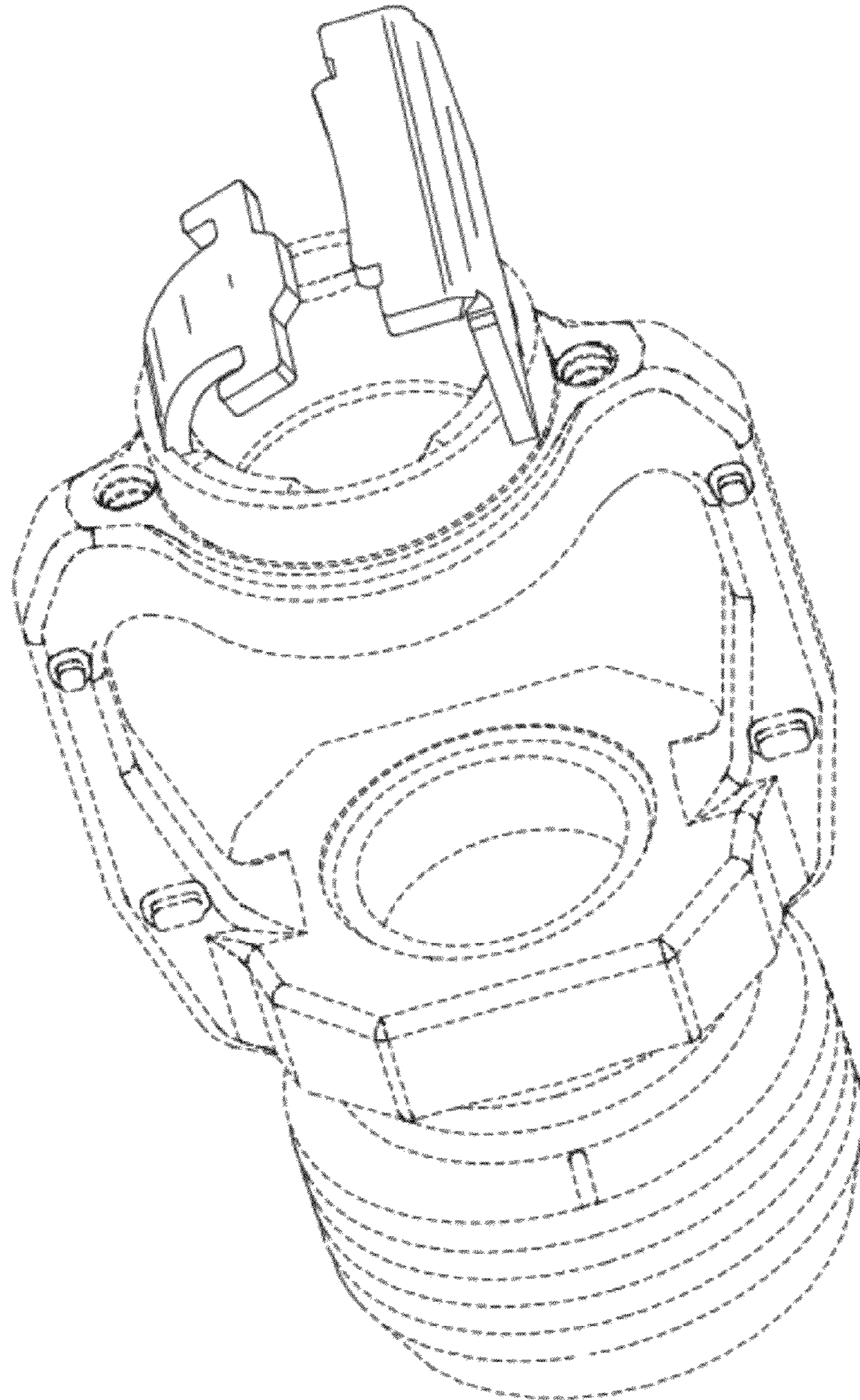


FIG 1

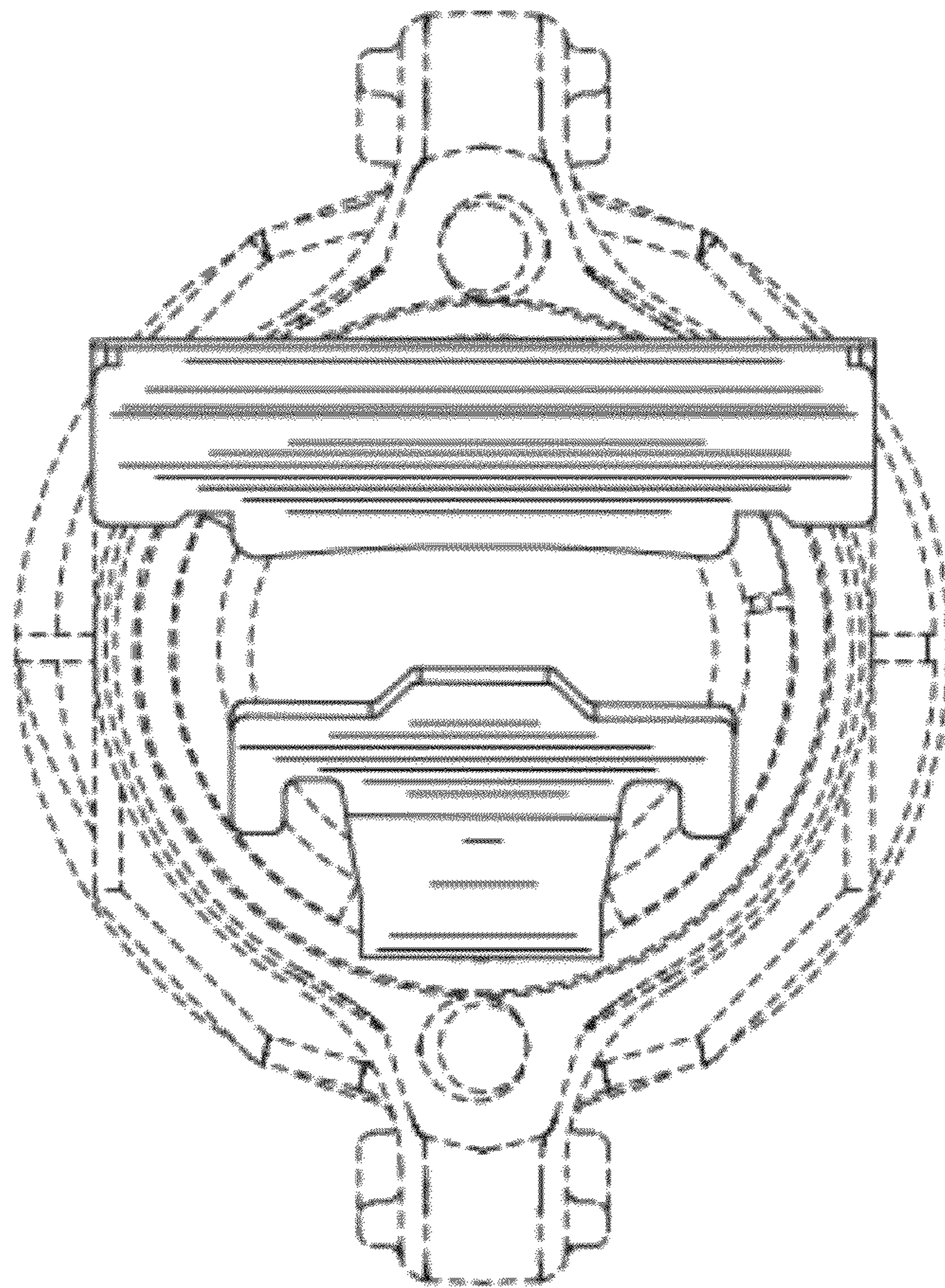


FIG 2

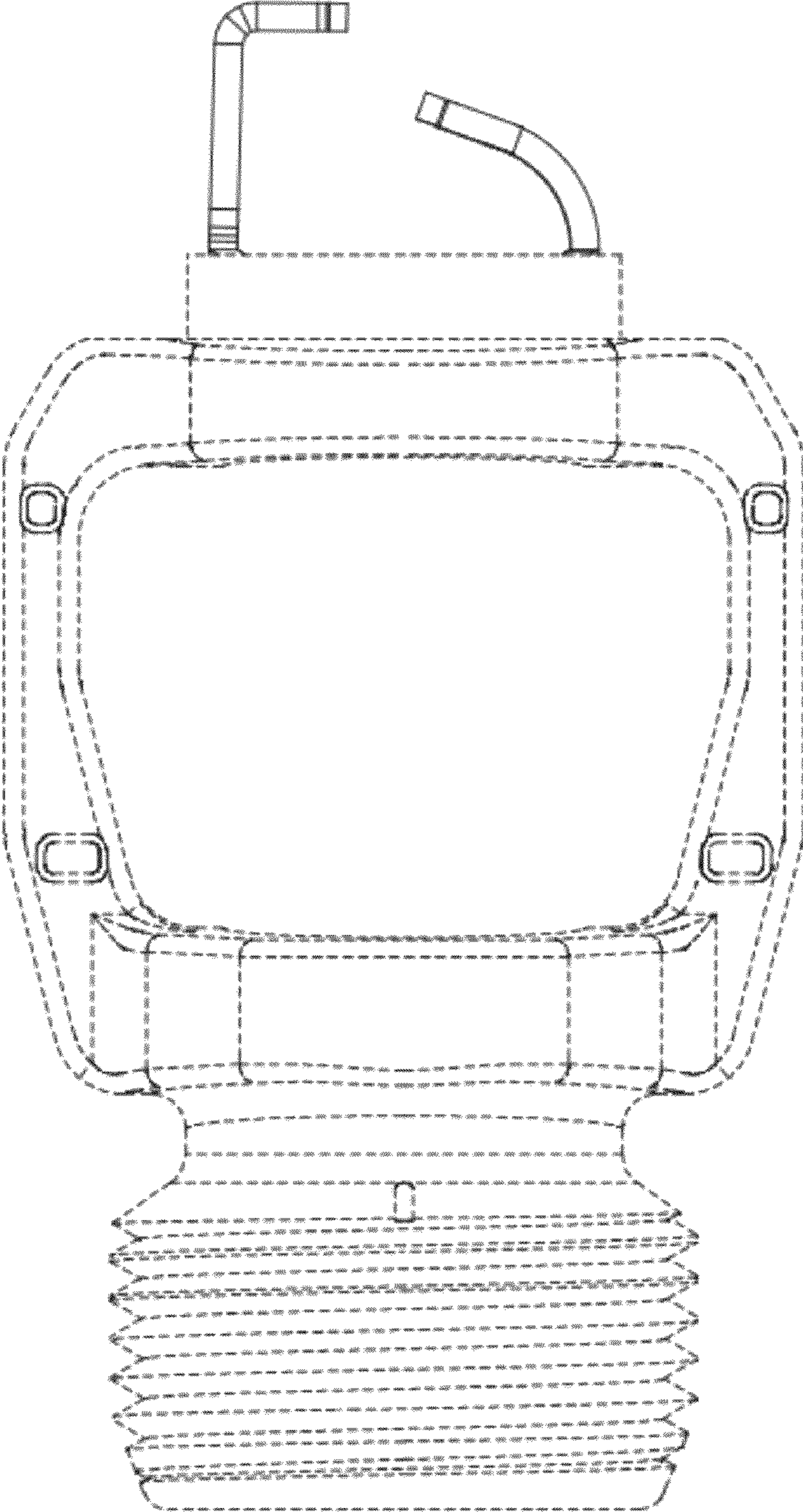


FIG 3

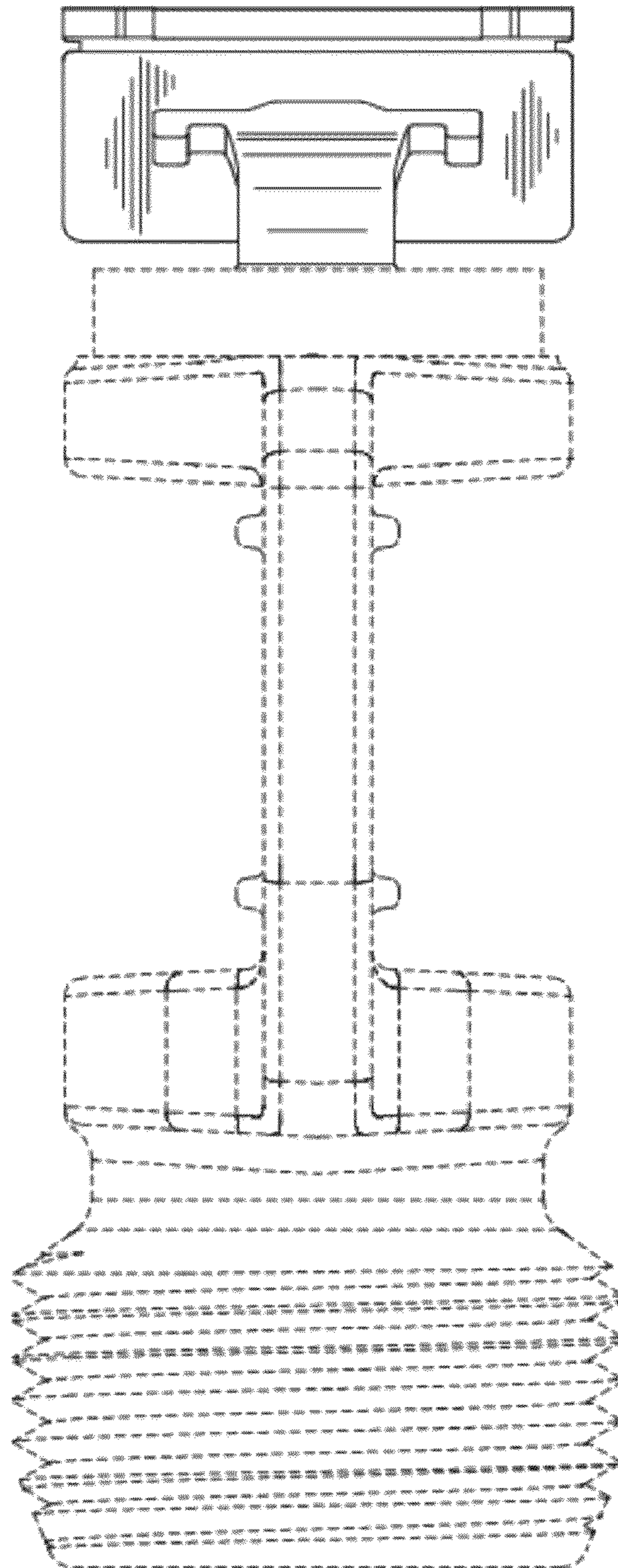


FIG 4

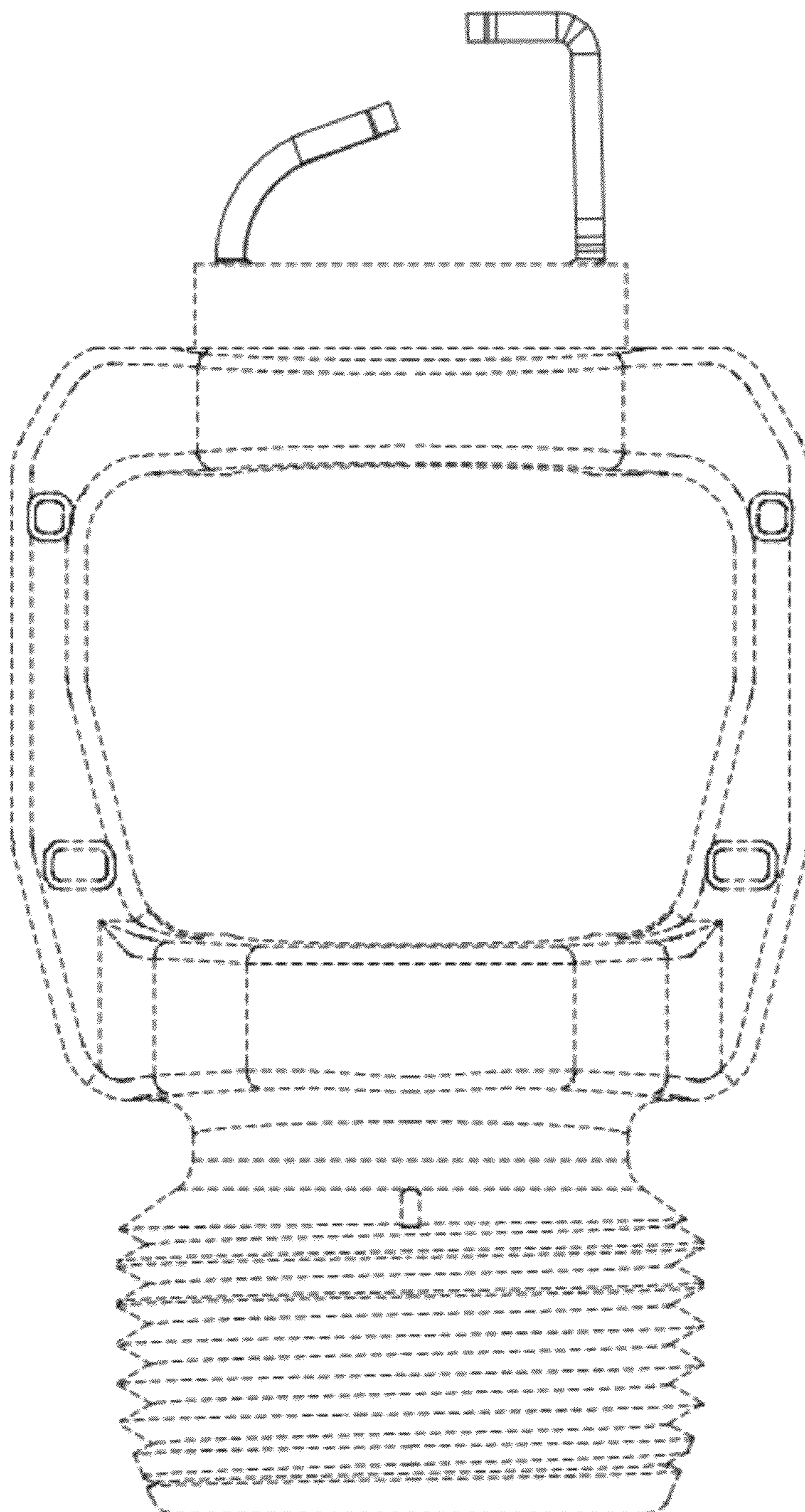


FIG 5

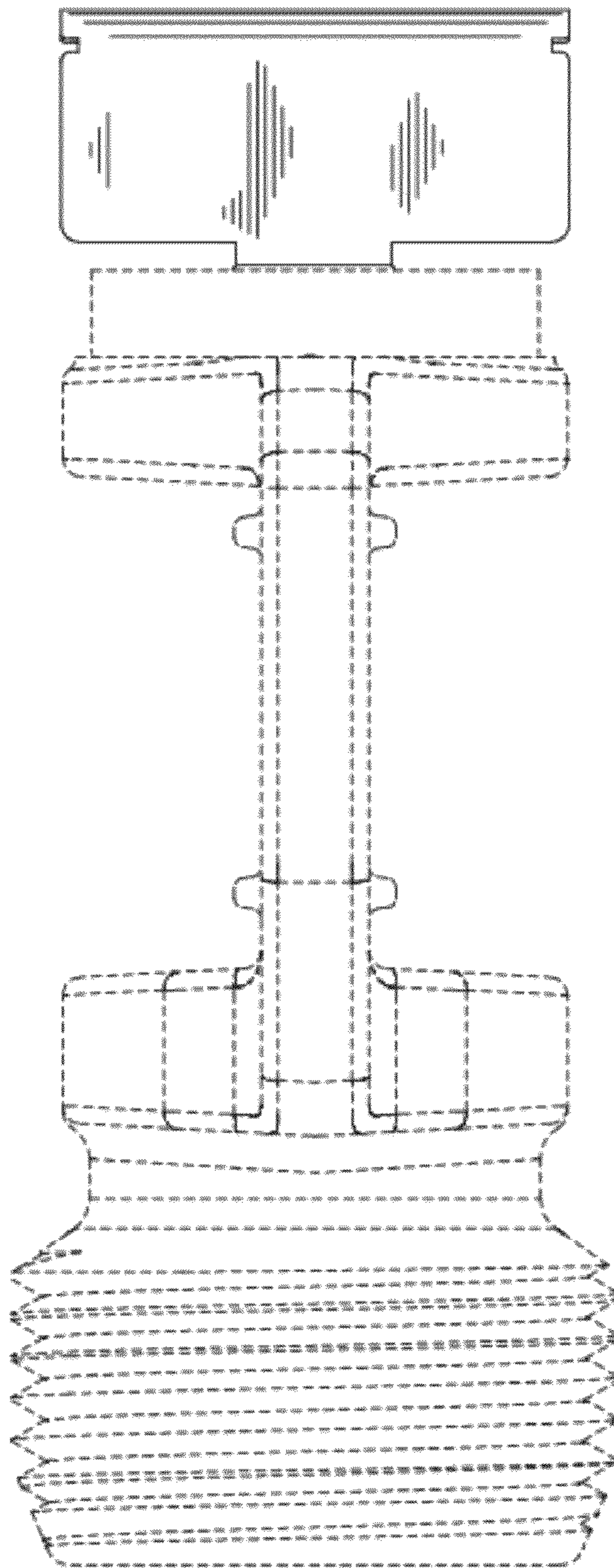


FIG 6