

US00D663009S

(12) **United States Design Patent**  
**Koiwa**

(10) **Patent No.:** **US D663,009 S**

(45) **Date of Patent:** **\*\* Jul. 3, 2012**

(54) **SPRINKLER COVER PLATE ASSEMBLY**

(75) Inventor: **Yasuaki Koiwa**, Tokyo (JP)

(73) Assignee: **Senju Sprinkler Co., Ltd.**, Tokyo (JP)

(\*\*) Term: **14 Years**

(21) Appl. No.: **29/402,914**

(22) Filed: **Sep. 29, 2011**

(51) **LOC (9) Cl.** ..... **23-01**

(52) **U.S. Cl.** ..... **D23/214**

(58) **Field of Classification Search** ..... D23/214,  
D23/227; 239/288, 288.3, 288.5; 169/37  
See application file for complete search history.

(56) **References Cited**

**U.S. PATENT DOCUMENTS**

3,015,448	A *	1/1962	Hurless	.....	239/201
3,018,057	A *	1/1962	Anderson	.....	239/201
D319,489	S *	8/1991	Han et al.	.....	D23/214
5,213,262	A *	5/1993	Violette	.....	239/203
5,222,669	A *	6/1993	Lawson	.....	239/205
5,447,338	A *	9/1995	Kikuchi	.....	285/46
D391,340	S *	2/1998	Bernatz	.....	D23/227

D410,731	S *	6/1999	Bowman et al.	.....	D23/227
D486,886	S *	2/2004	Gregory	.....	D23/227
6,755,356	B1 *	6/2004	Bergquist	.....	239/288.5
6,805,203	B2 *	10/2004	Retzloff et al.	.....	169/37
D521,595	S *	5/2006	Jones et al.	.....	D23/227
7,540,330	B2 *	6/2009	Orr et al.	.....	169/37

\* cited by examiner

*Primary Examiner* — Robin V Webster

(74) *Attorney, Agent, or Firm* — Cermak Nakajima LLP;  
Tomoko Nakajima

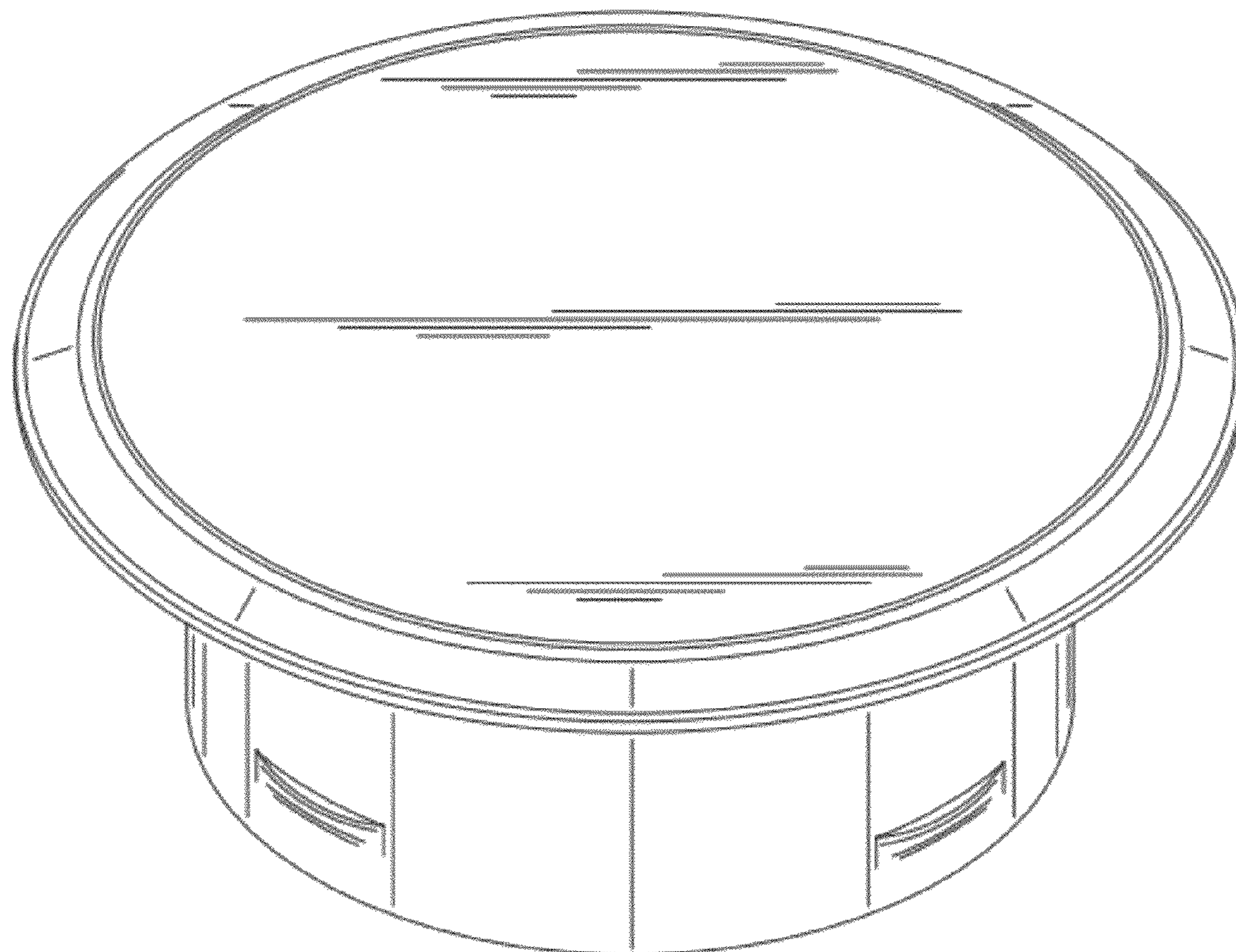
(57) **CLAIM**

The ornamental design for a sprinkler cover plate assembly, as shown.

**DESCRIPTION**

FIG. 1 is a perspective view of a sprinkler cover plate assembly showing my new design;  
FIG. 2 is a front elevational view thereof;  
FIG. 3 is a rear elevational view thereof;  
FIG. 4 is a top plan view thereof;  
FIG. 5 is a bottom plan view thereof;  
FIG. 6 is a left side elevational view thereof; and,  
FIG. 7 is a right side elevational view thereof.

**1 Claim, 7 Drawing Sheets**



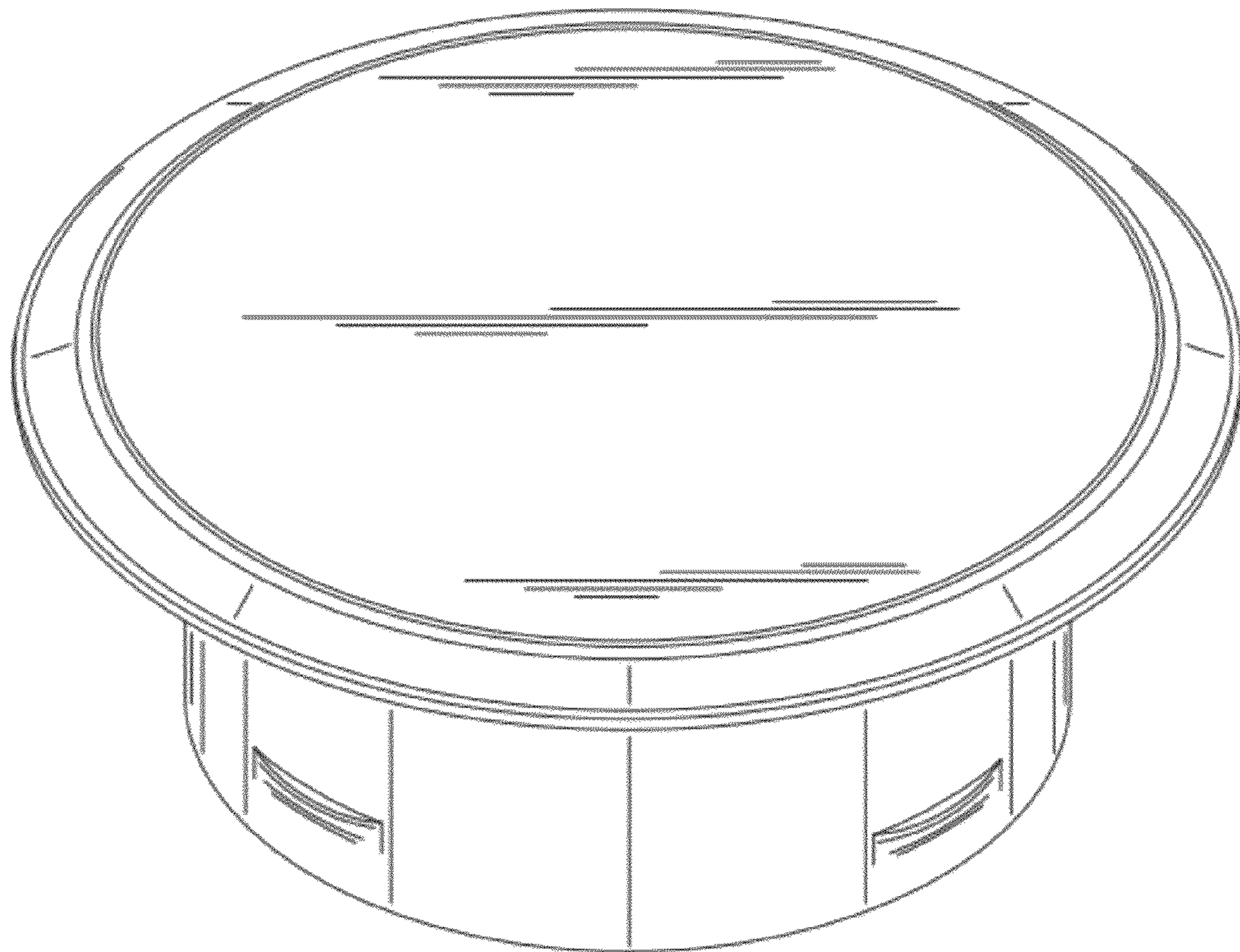


FIG. 1



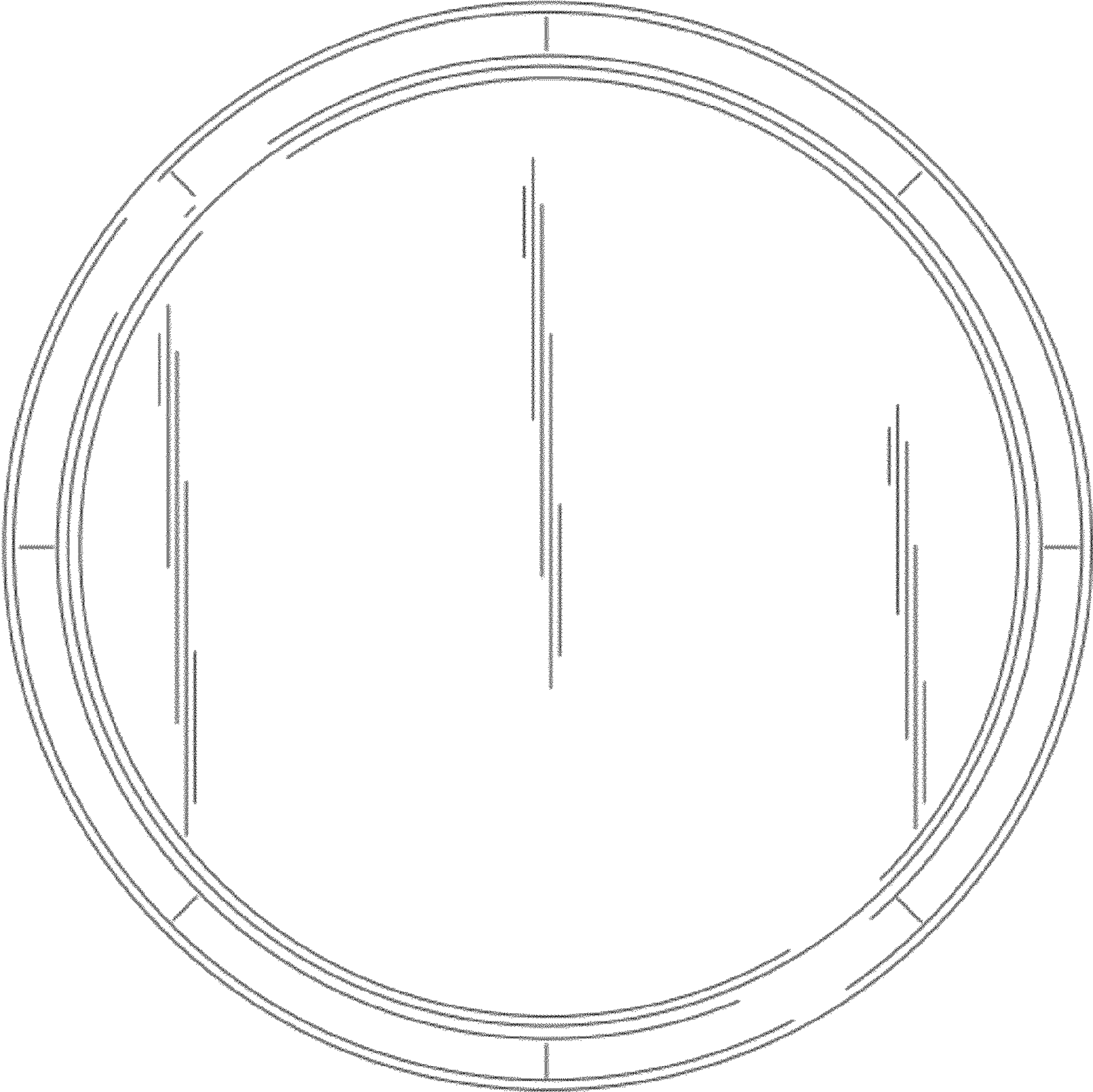


FIG.2

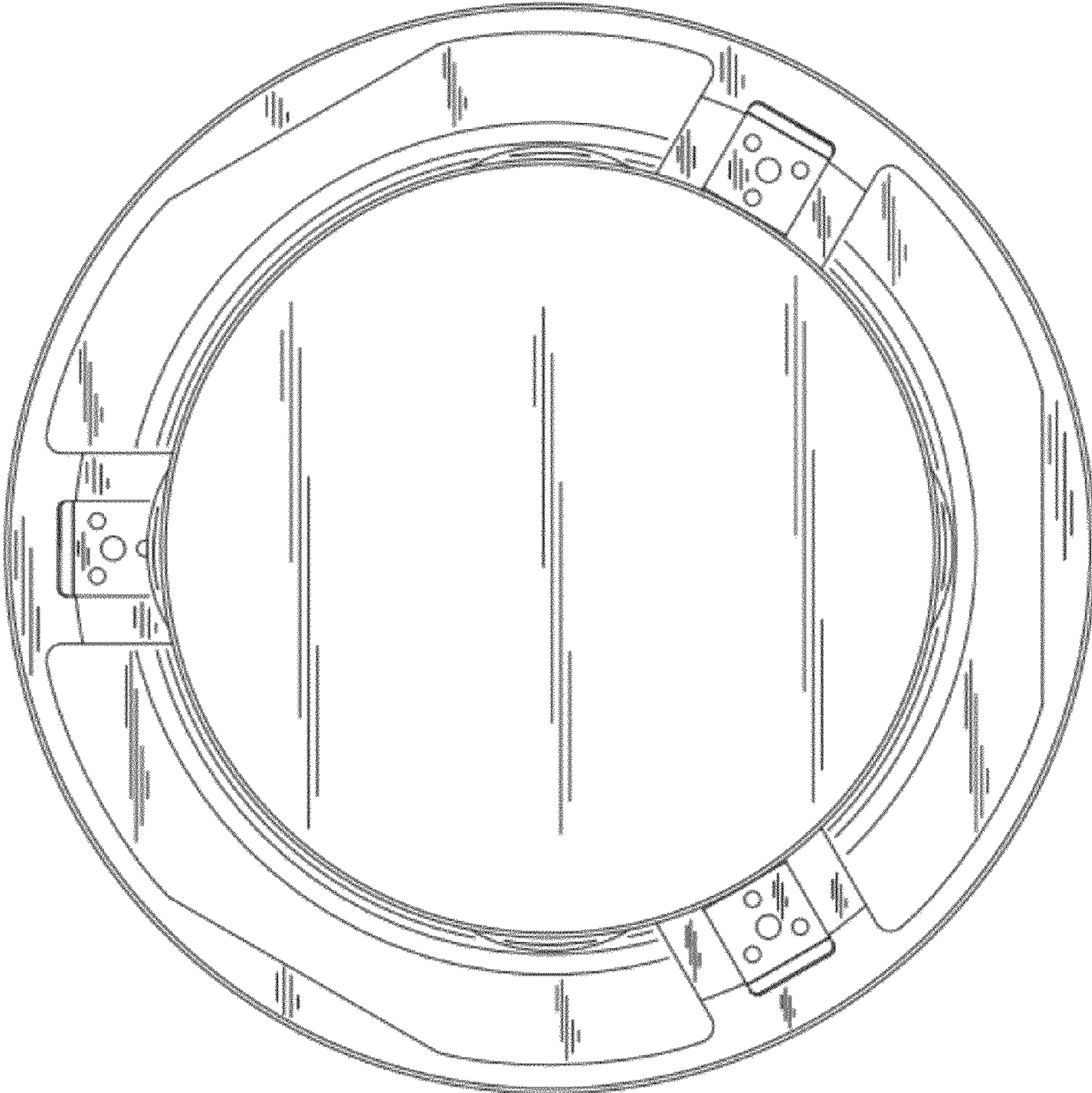


FIG.3

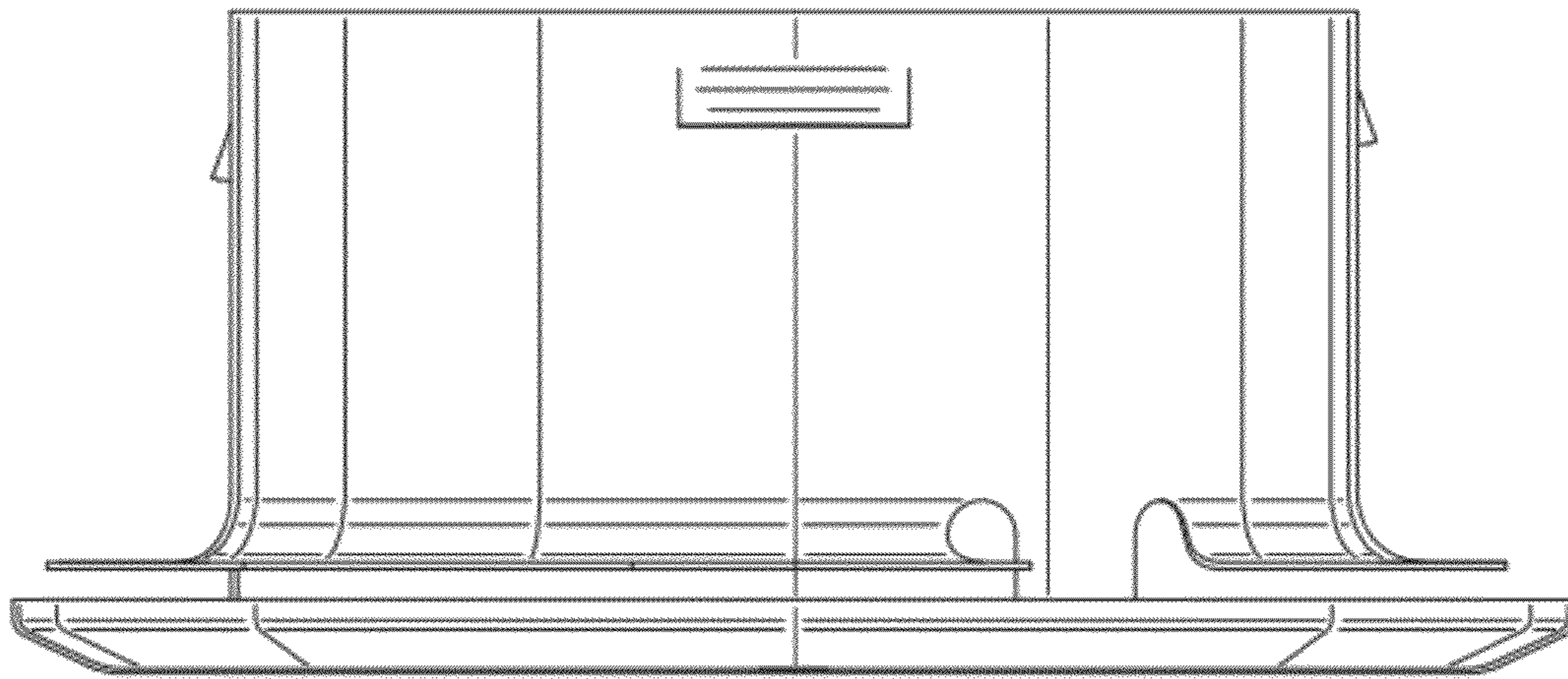


FIG.4



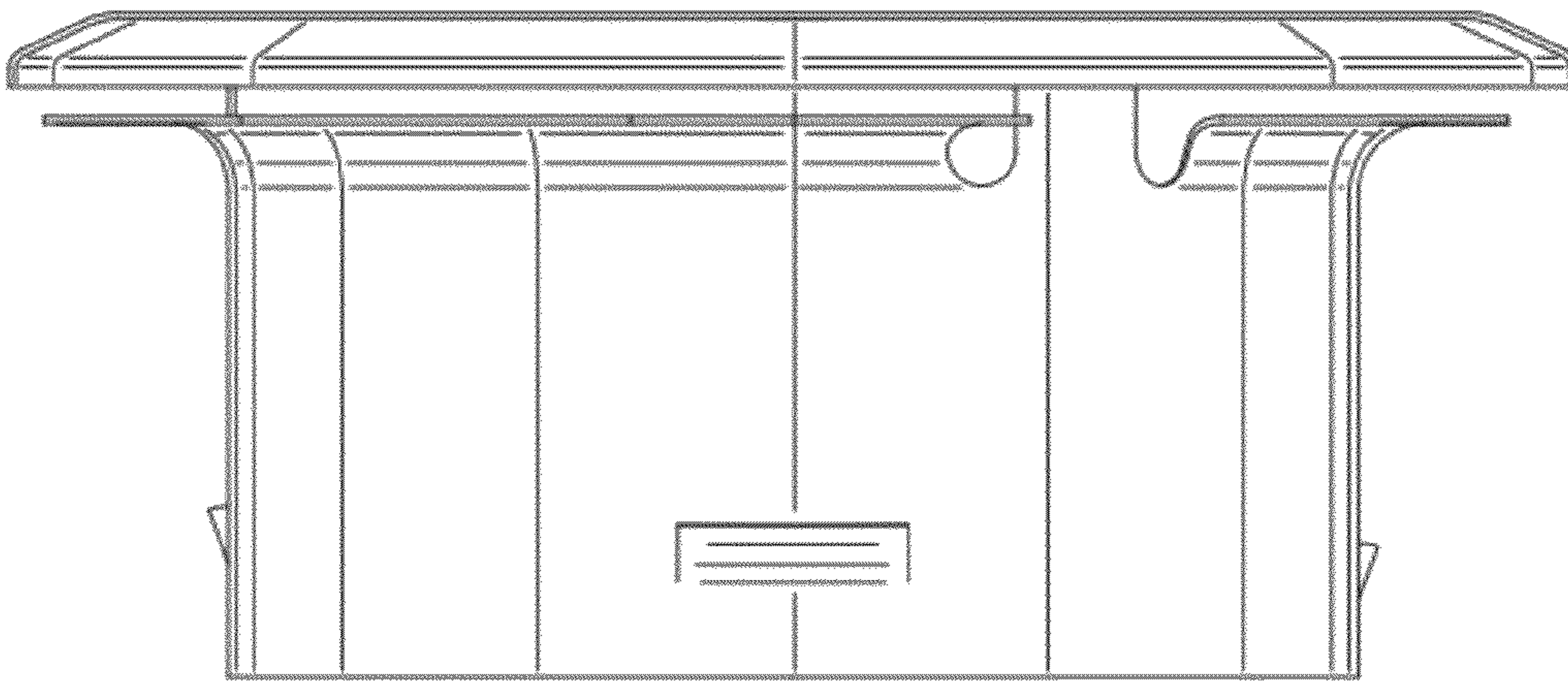


FIG. 5

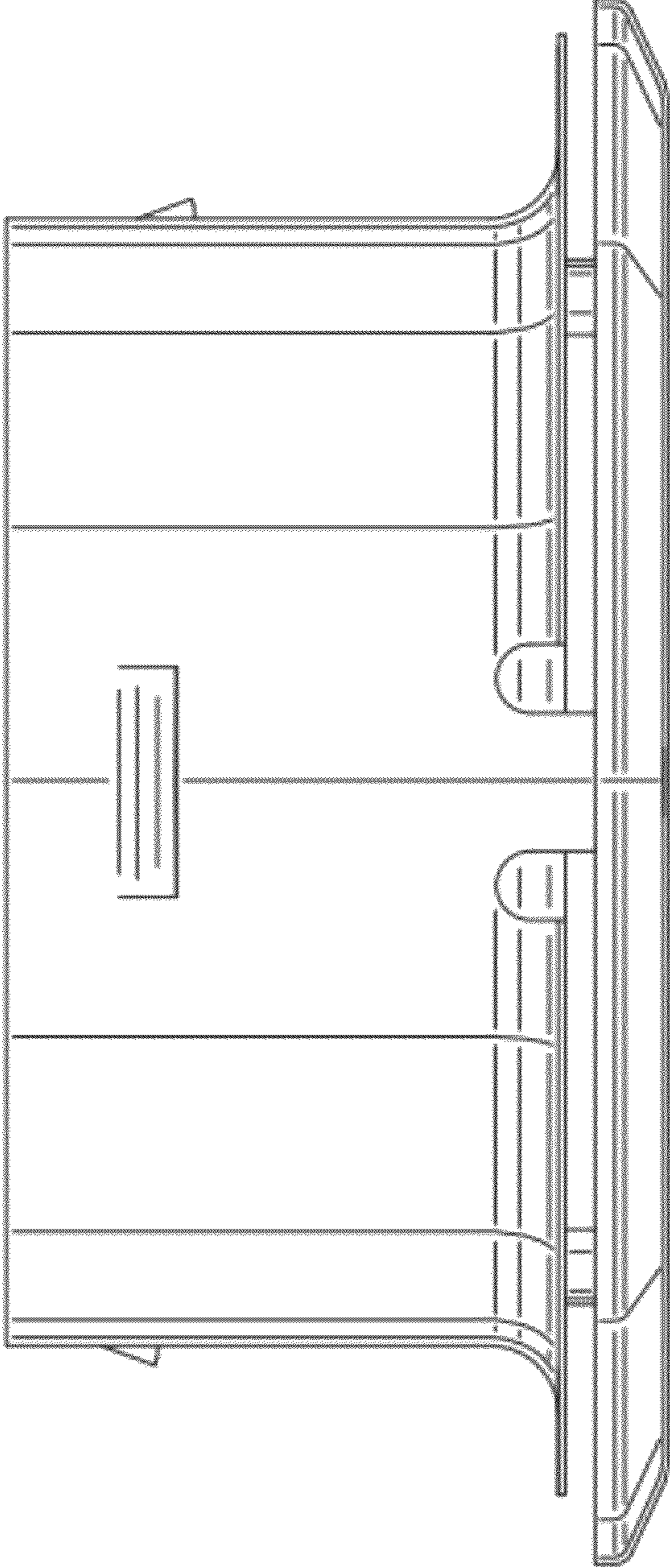


FIG.6

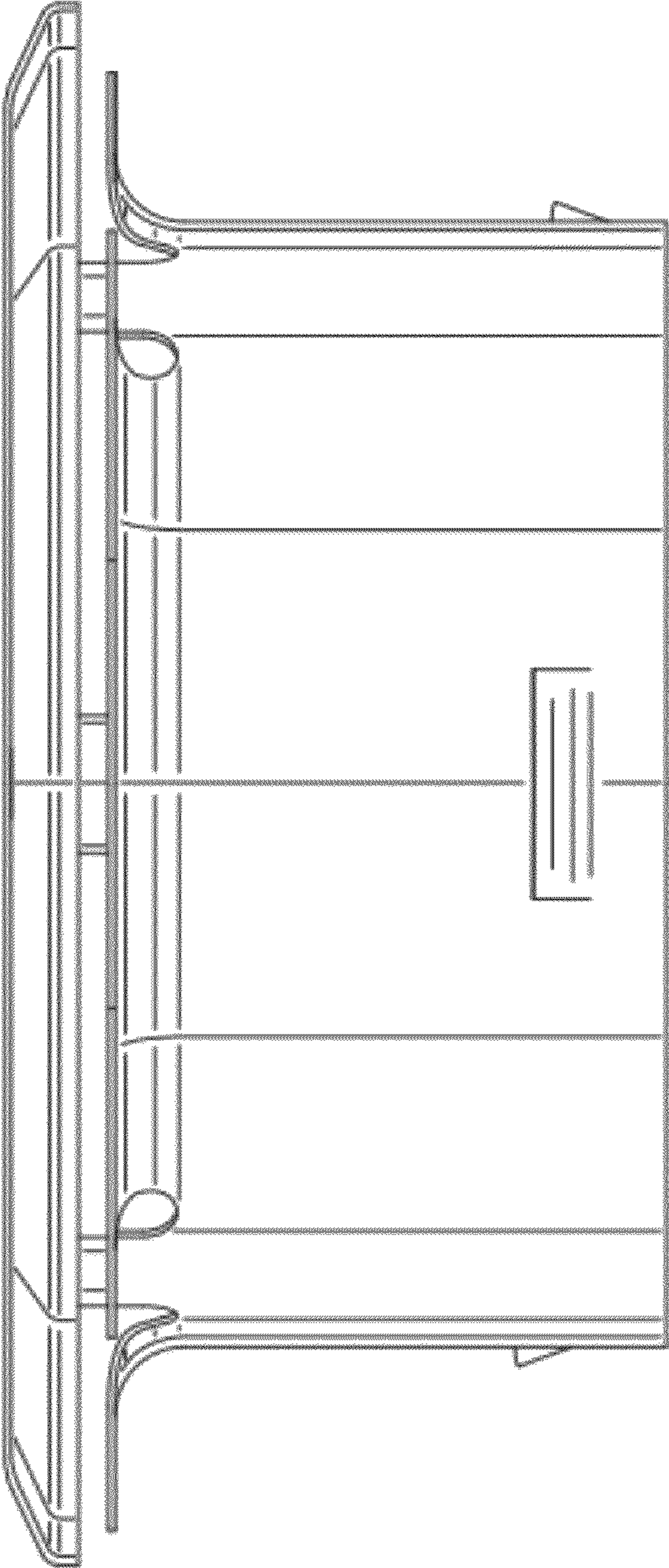


FIG.7