



US00D663008S

(12) **United States Design Patent**
Varini

(10) **Patent No.:** **US D663,008 S**
(45) **Date of Patent:** **** Jul. 3, 2012**

(54) **FILTERING UNIT FOR FLUIDS**

(75) Inventor: **Otto Varini**, Suzzara (IT)

(73) Assignee: **Piusi S.p.A.**, Suzzara (IT)

(**) Term: **14 Years**

(21) Appl. No.: **29/371,367**

(22) Filed: **Jan. 18, 2011**

(30) **Foreign Application Priority Data**

Jul. 23, 2010 (EM) 001226500

(51) **LOC (9) Cl.** **23-01**

(52) **U.S. Cl.** **D23/207**

(58) **Field of Classification Search** D23/207,
D23/209, 225; 210/94, 767, 195.2, 323.1
See application file for complete search history.

(56) **References Cited**

U.S. PATENT DOCUMENTS

D332,993 S * 2/1993 Dea et al. D23/207
D352,090 S * 11/1994 Dea et al. D23/207

* cited by examiner

Primary Examiner — Robin V Webster

(74) *Attorney, Agent, or Firm* — Modiano & Associati;
Albert Josif; Daniel O’Byrne

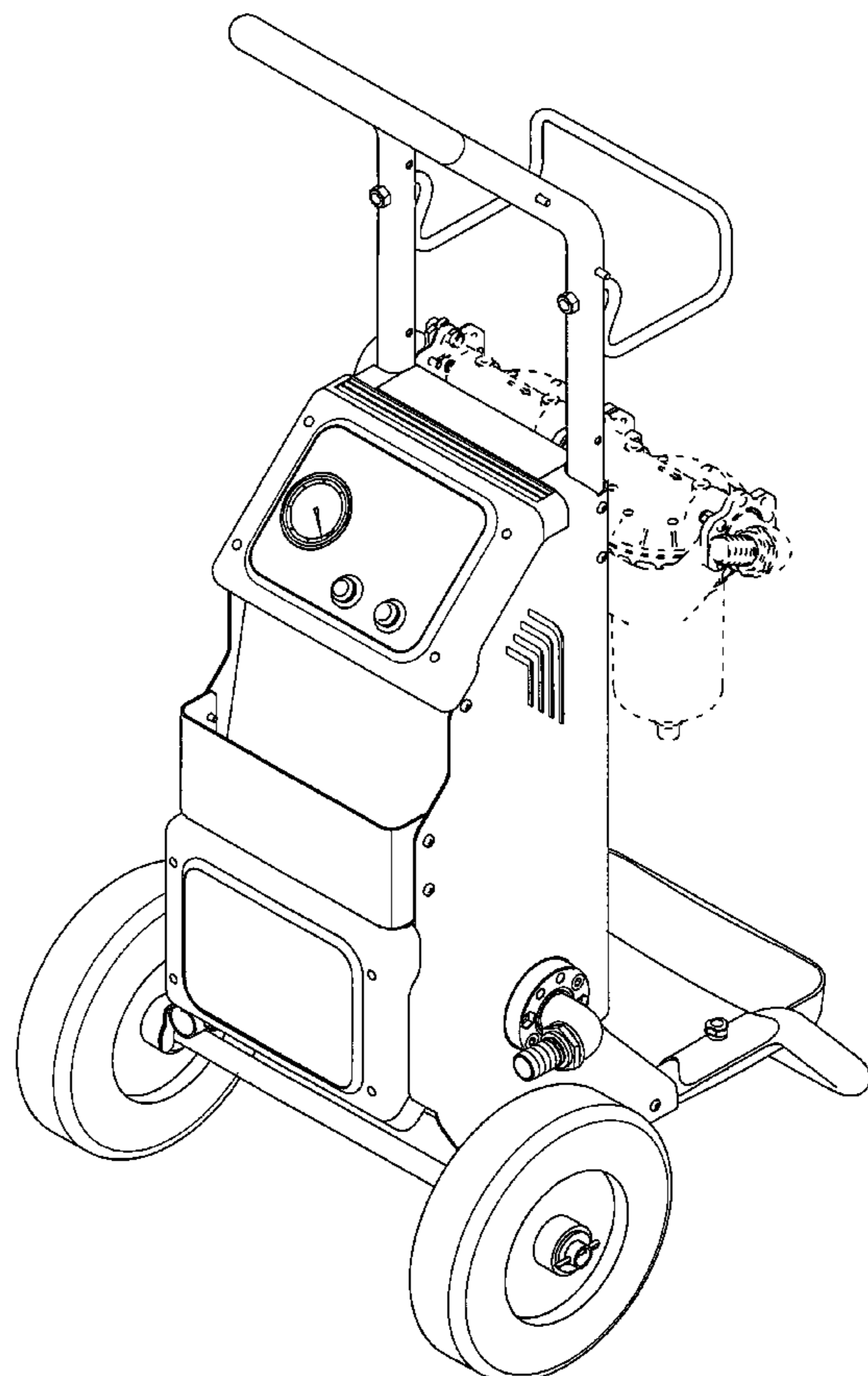
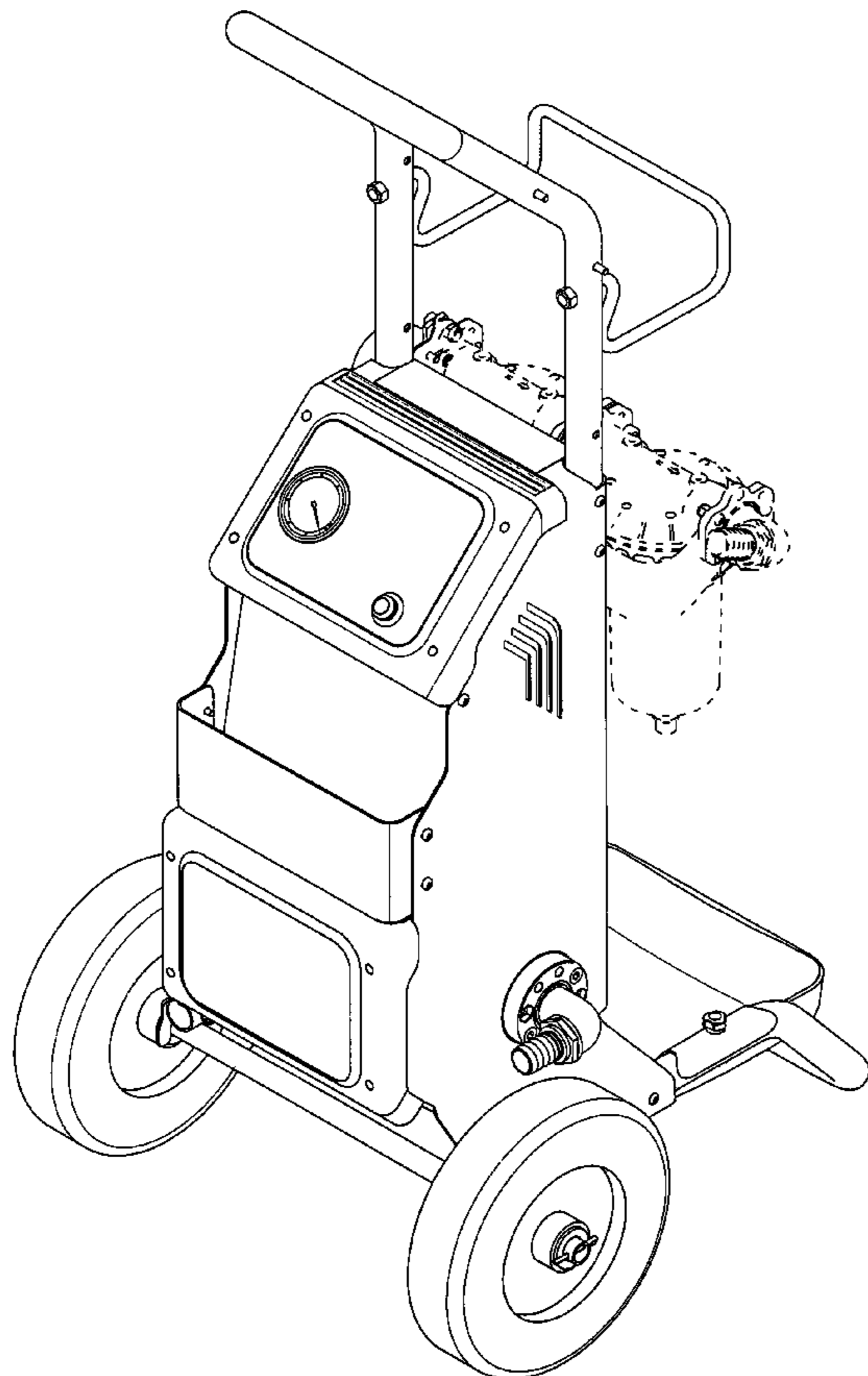
(57) **CLAIM**

The ornamental design for the “filtering unit for fluids”, as shown and described.

DESCRIPTION

FIG. 1 is a perspective view of the structure;
FIG. 2 is a front elevation view thereof;
FIG. 3 is a rear elevation view thereof;
FIG. 4 is a right side elevation view thereof;
FIG. 5 is a left side elevation view thereof;
FIG. 6 is a plan view thereof, taken from above;
FIG. 7 is plan view thereof, taken from below.
FIG. 8 is a perspective view of the structure;
FIG. 9 is a front elevation view thereof;
FIG. 10 is a rear elevation view thereof;
FIG. 11 is a right side elevation view thereof;
FIG. 12 is a left side elevation view thereof;
FIG. 13 is a plan view thereof, taken from above; and,
FIG. 14 is plan view thereof, taken from below.
The broken line showing is included for the purpose of illustrating and forms no part of the claimed design.

1 Claim, 12 Drawing Sheets



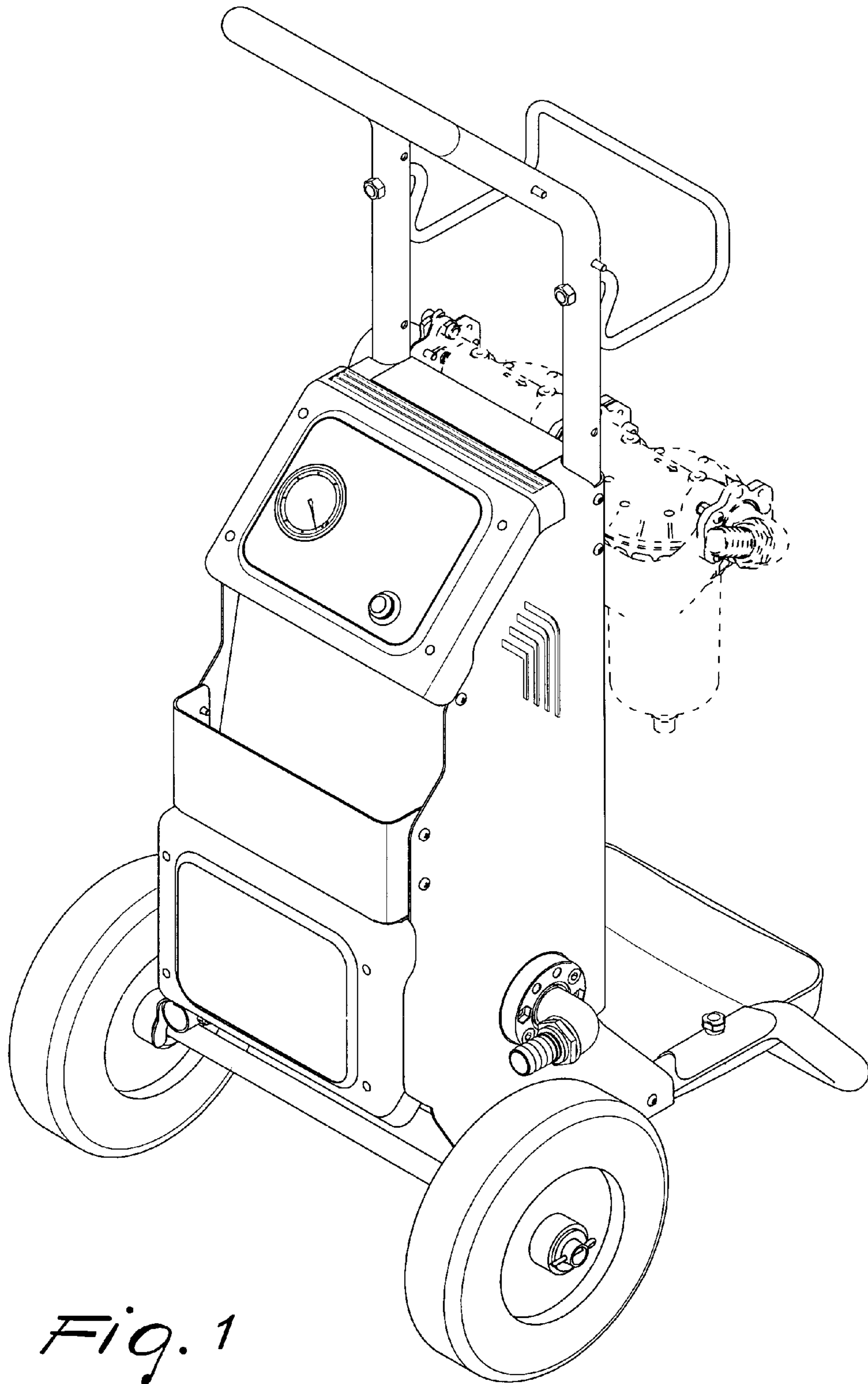


Fig. 1

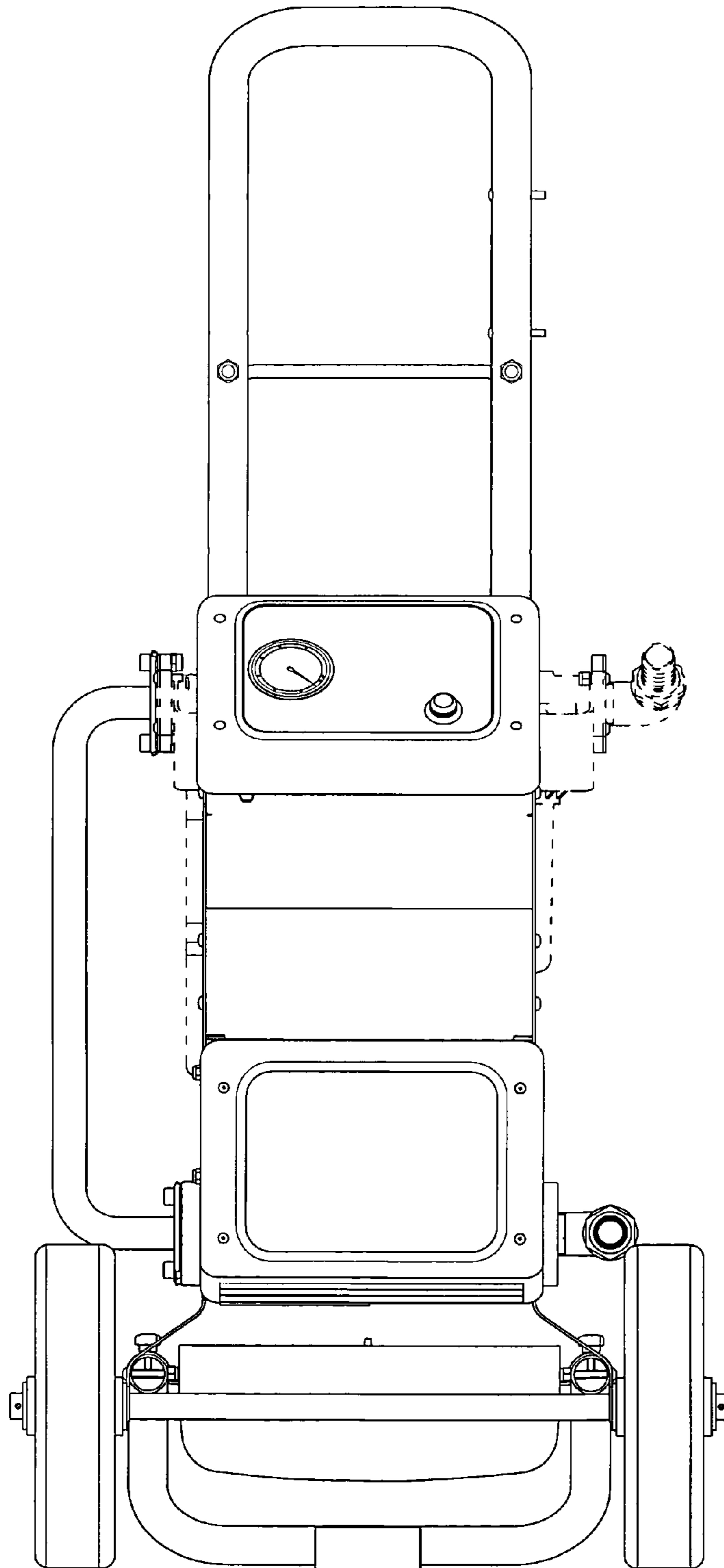


Fig. 2

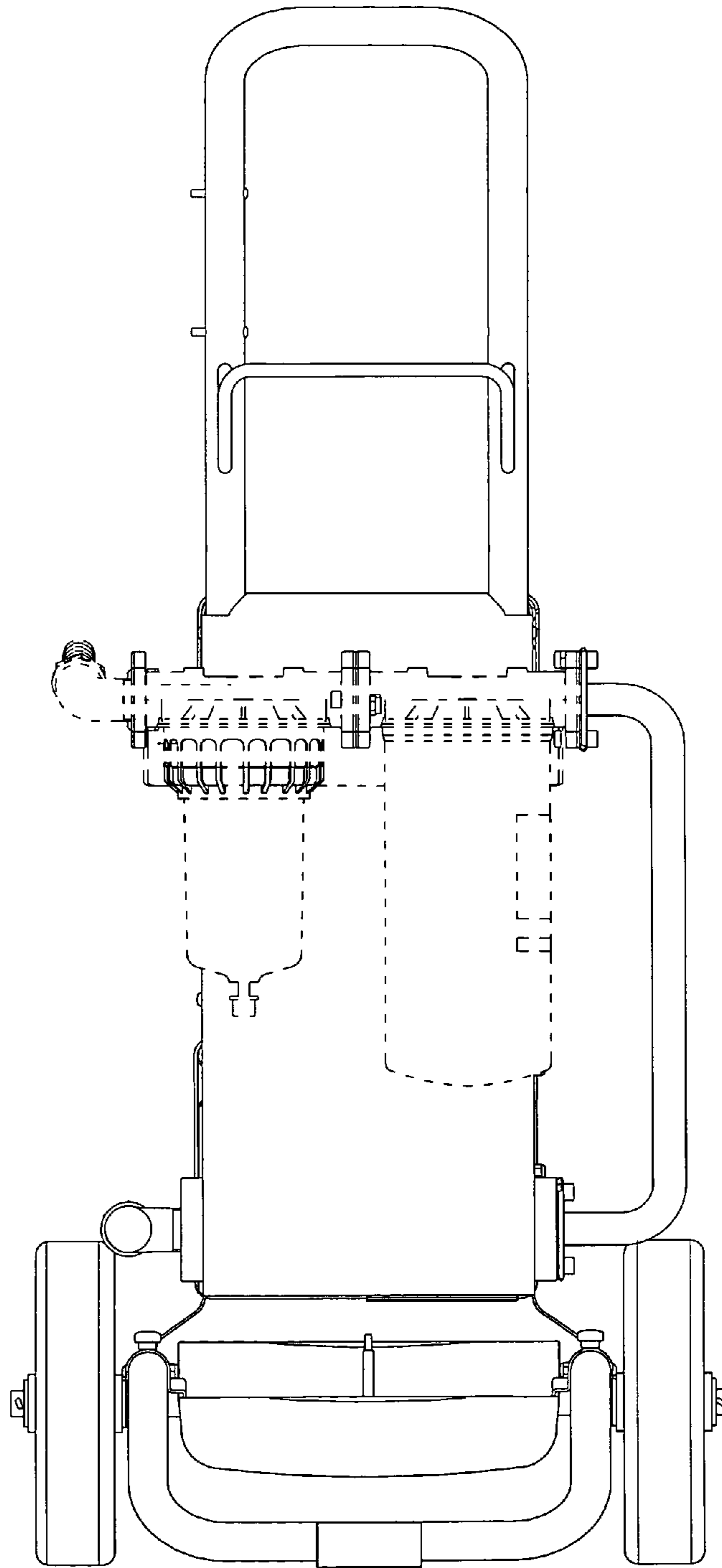


Fig. 3

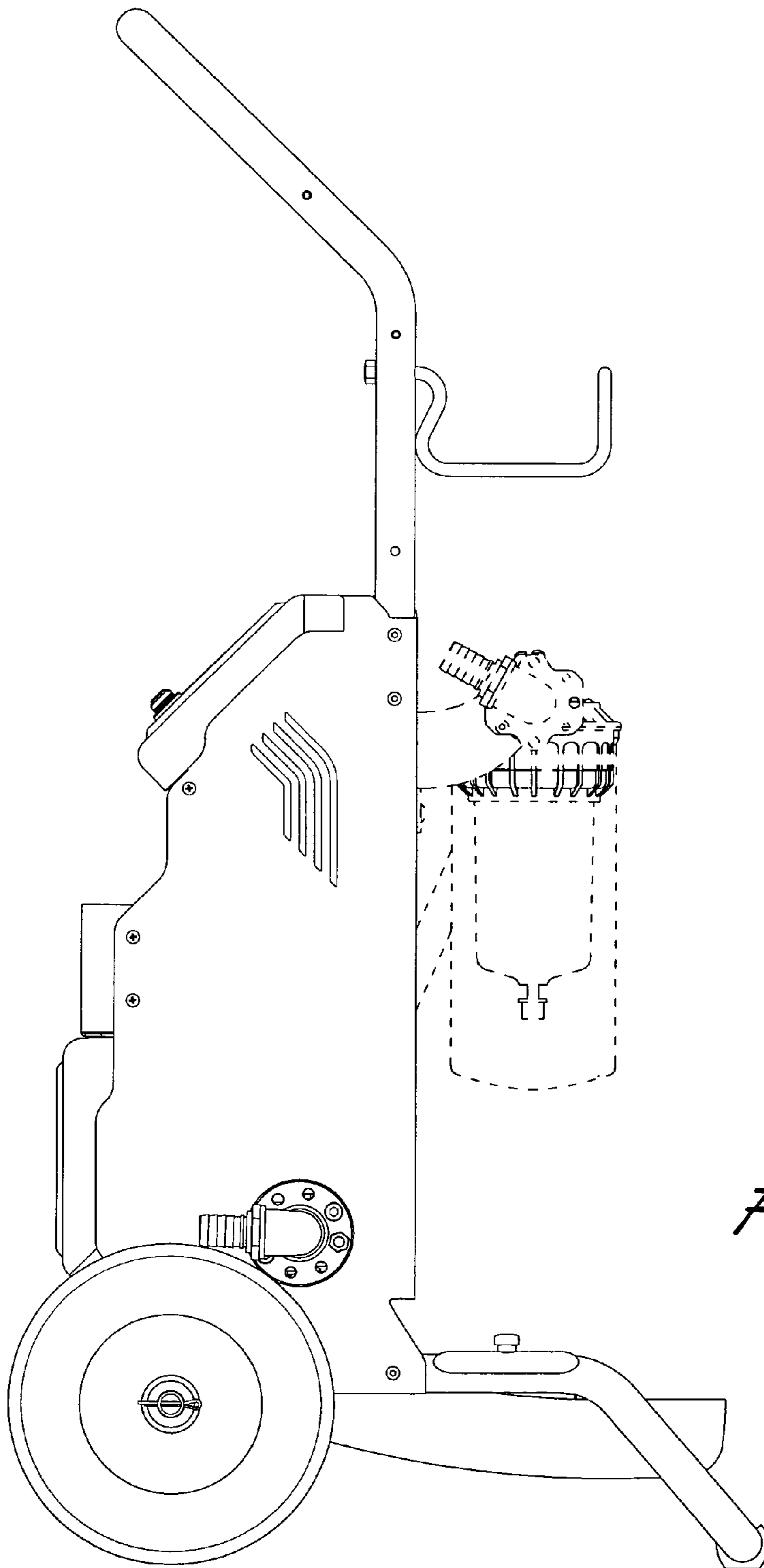


Fig. 4

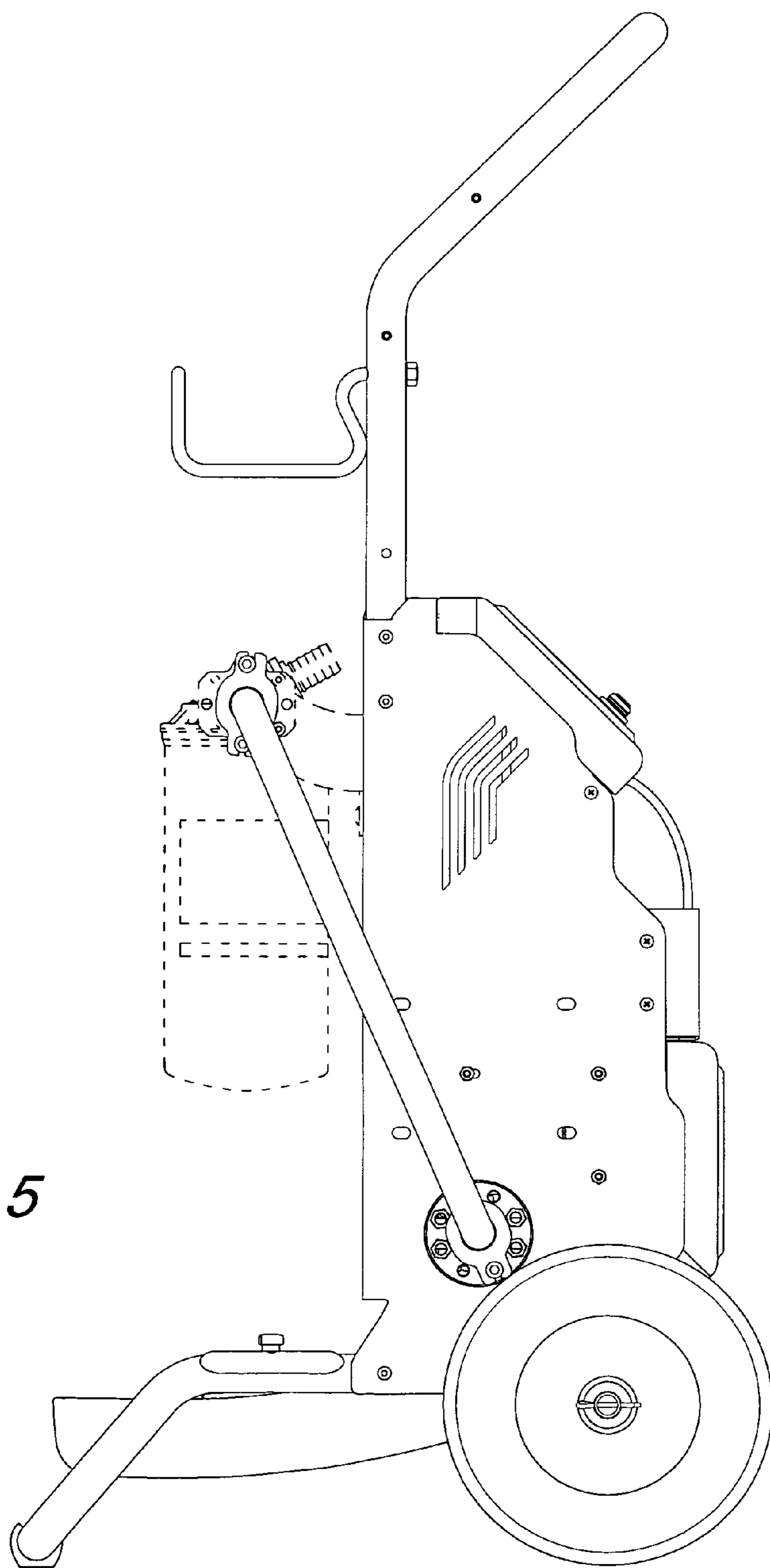


Fig. 5

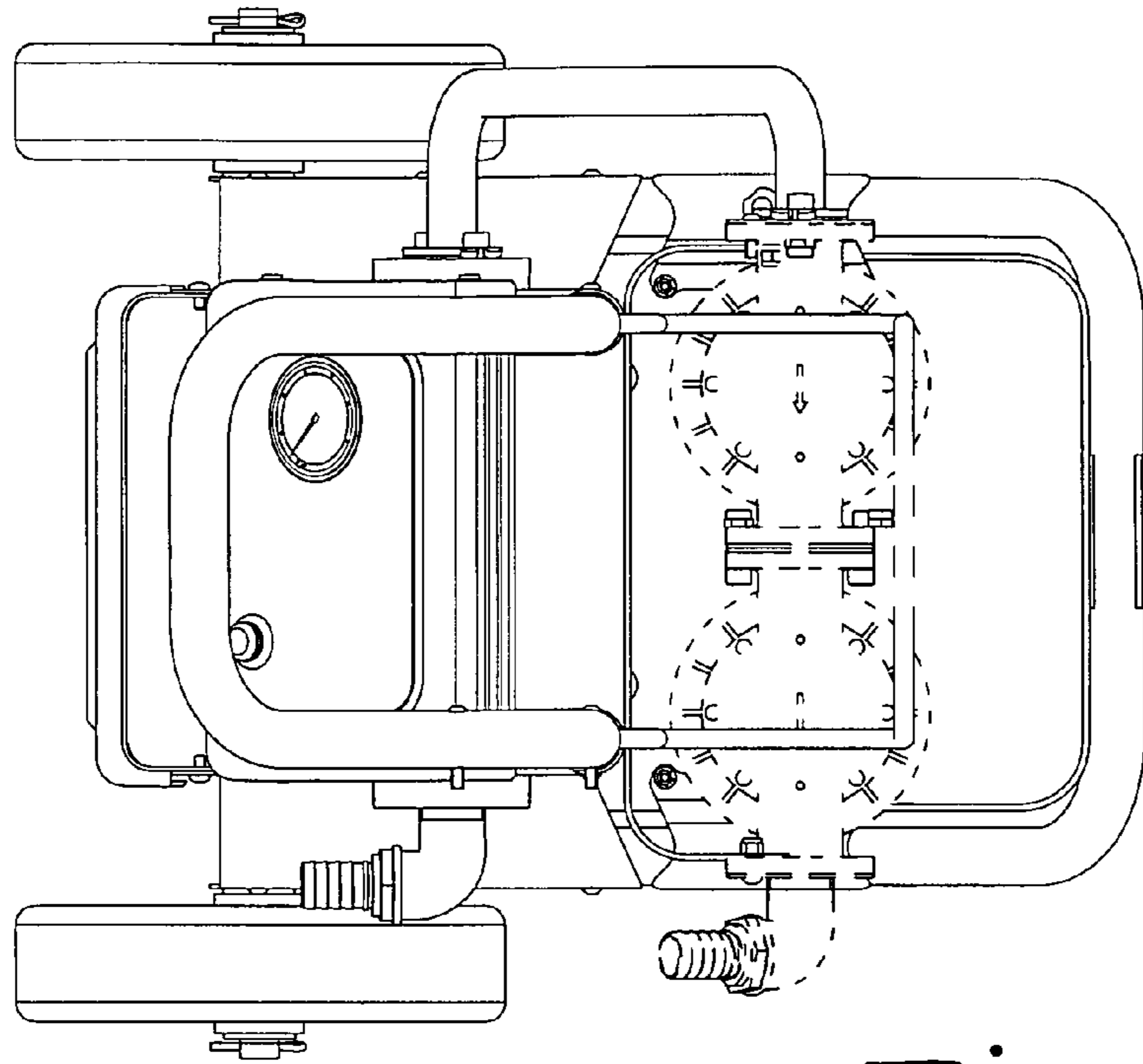


Fig. 6

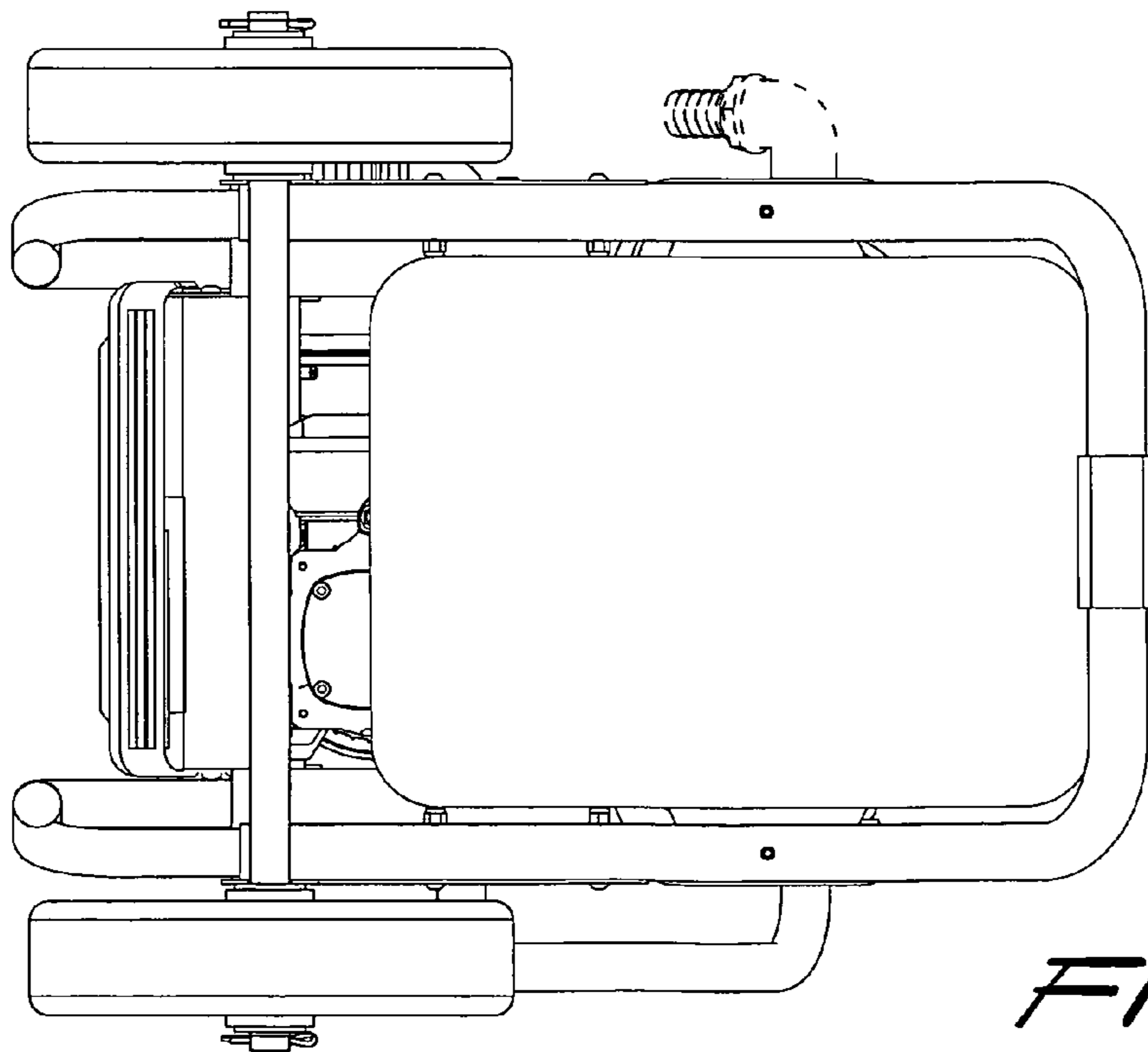


Fig. 7

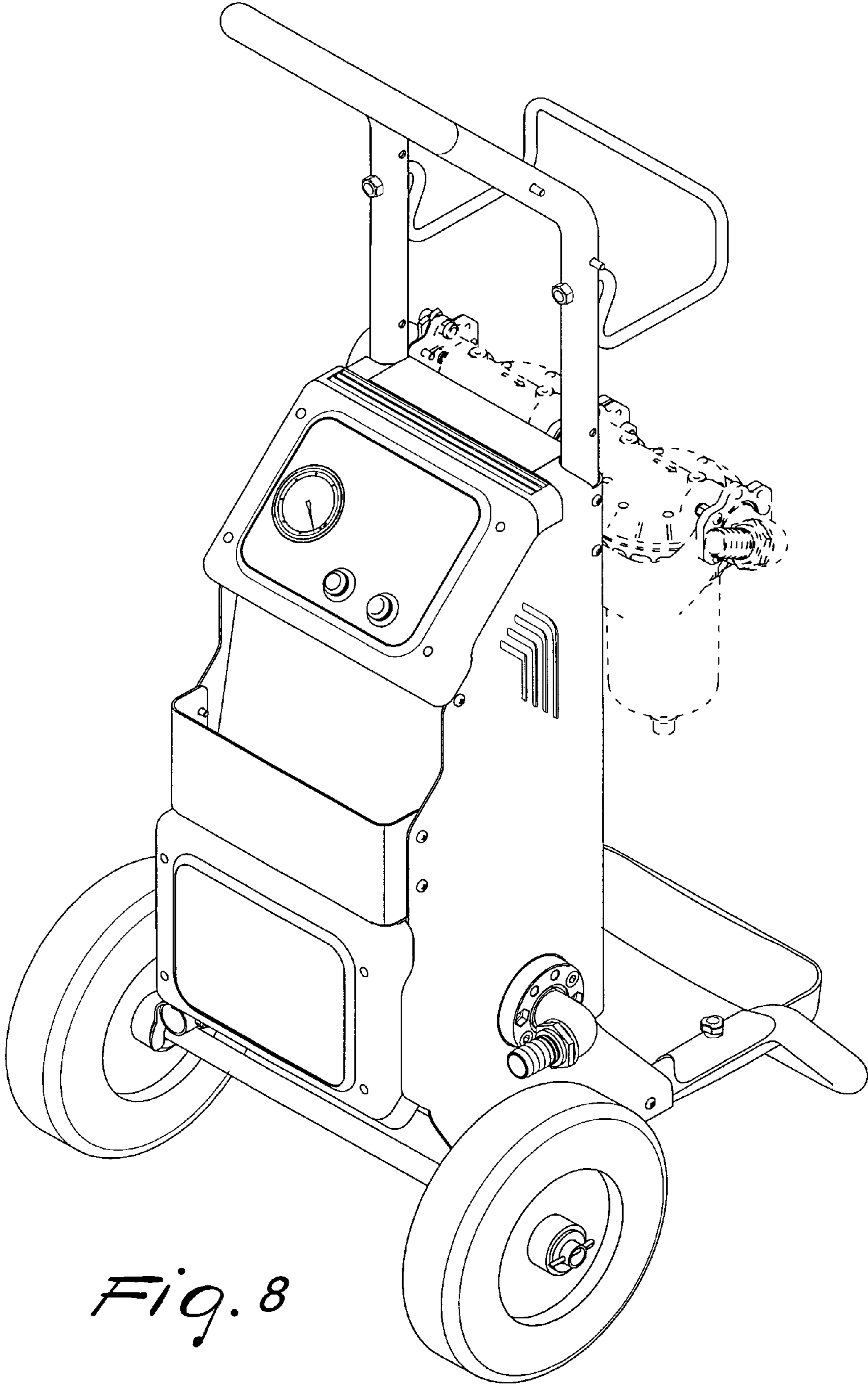


Fig. 8

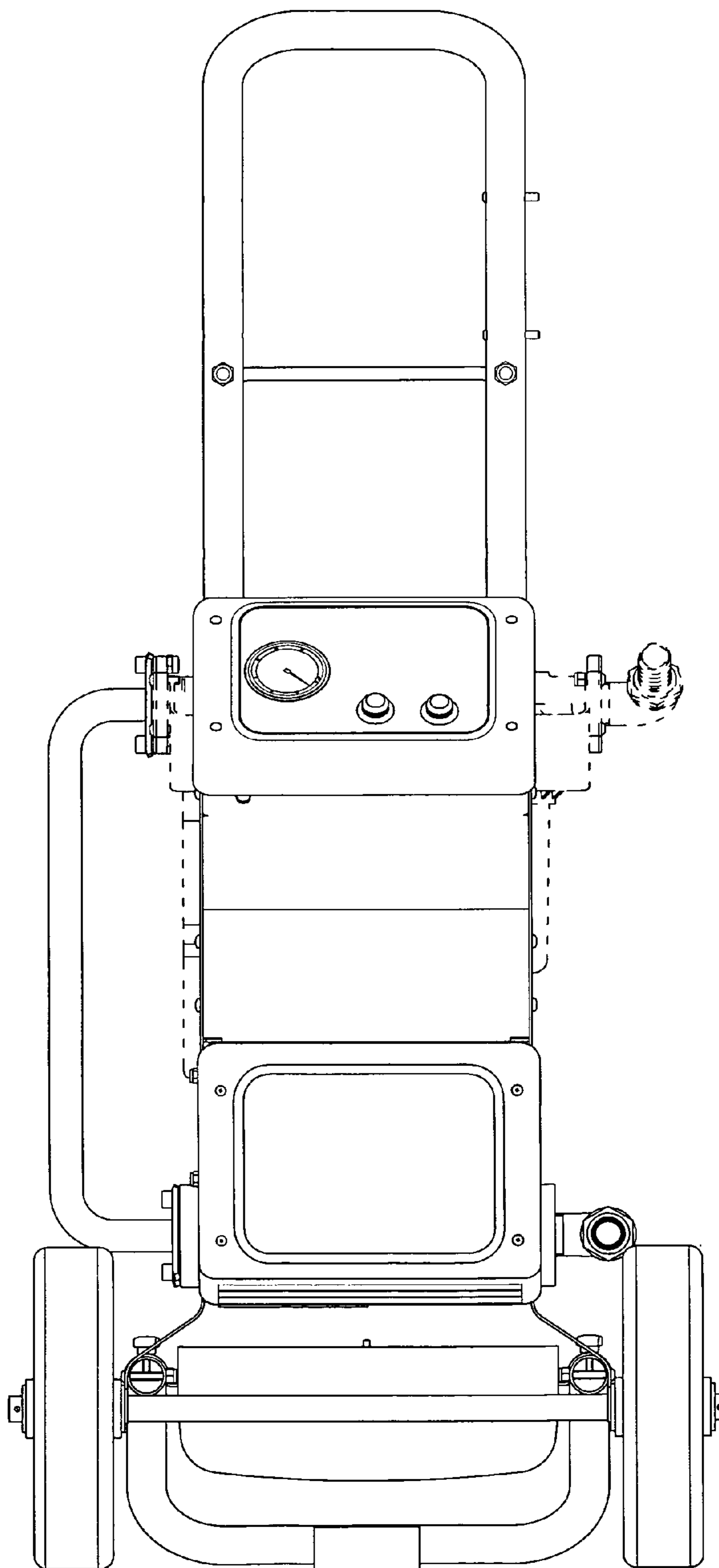


Fig. 9

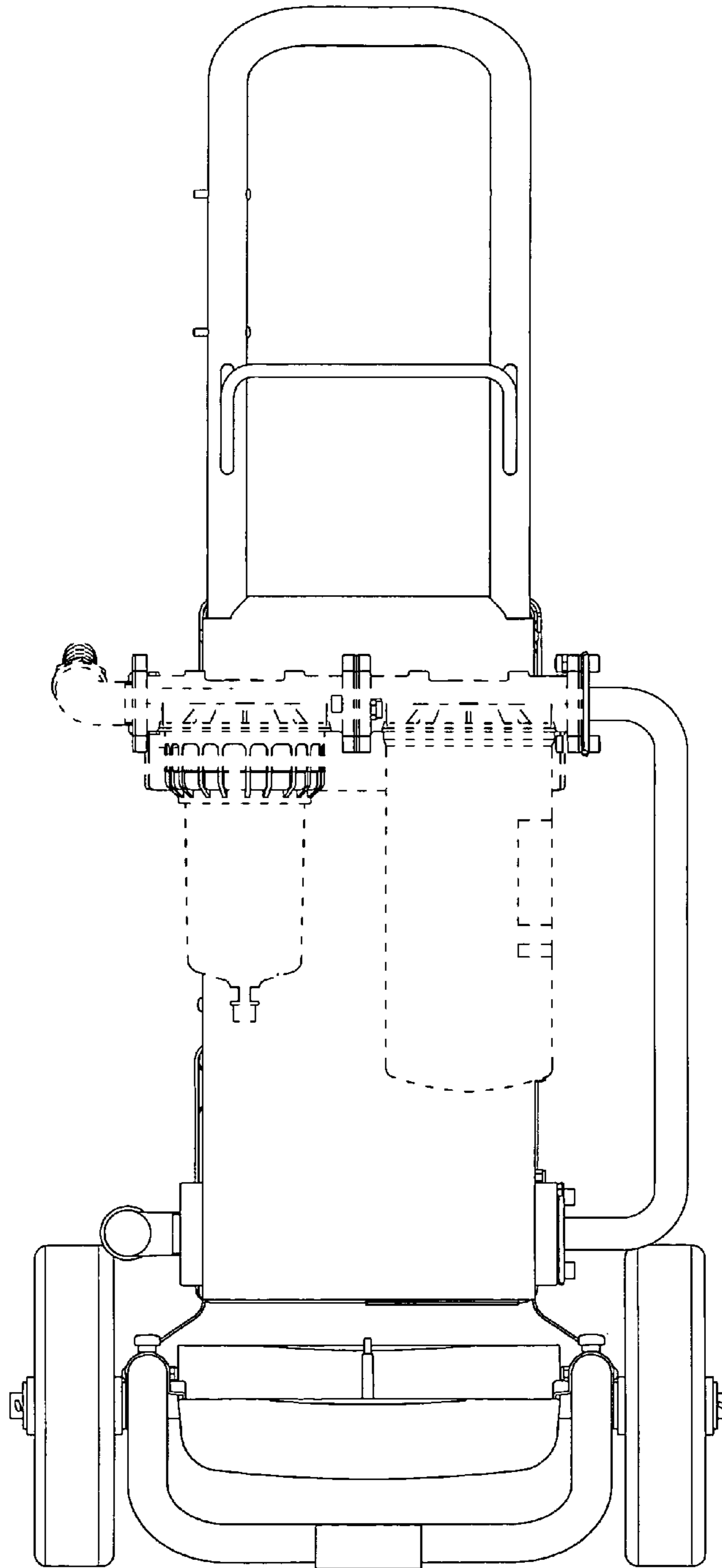


Fig. 10

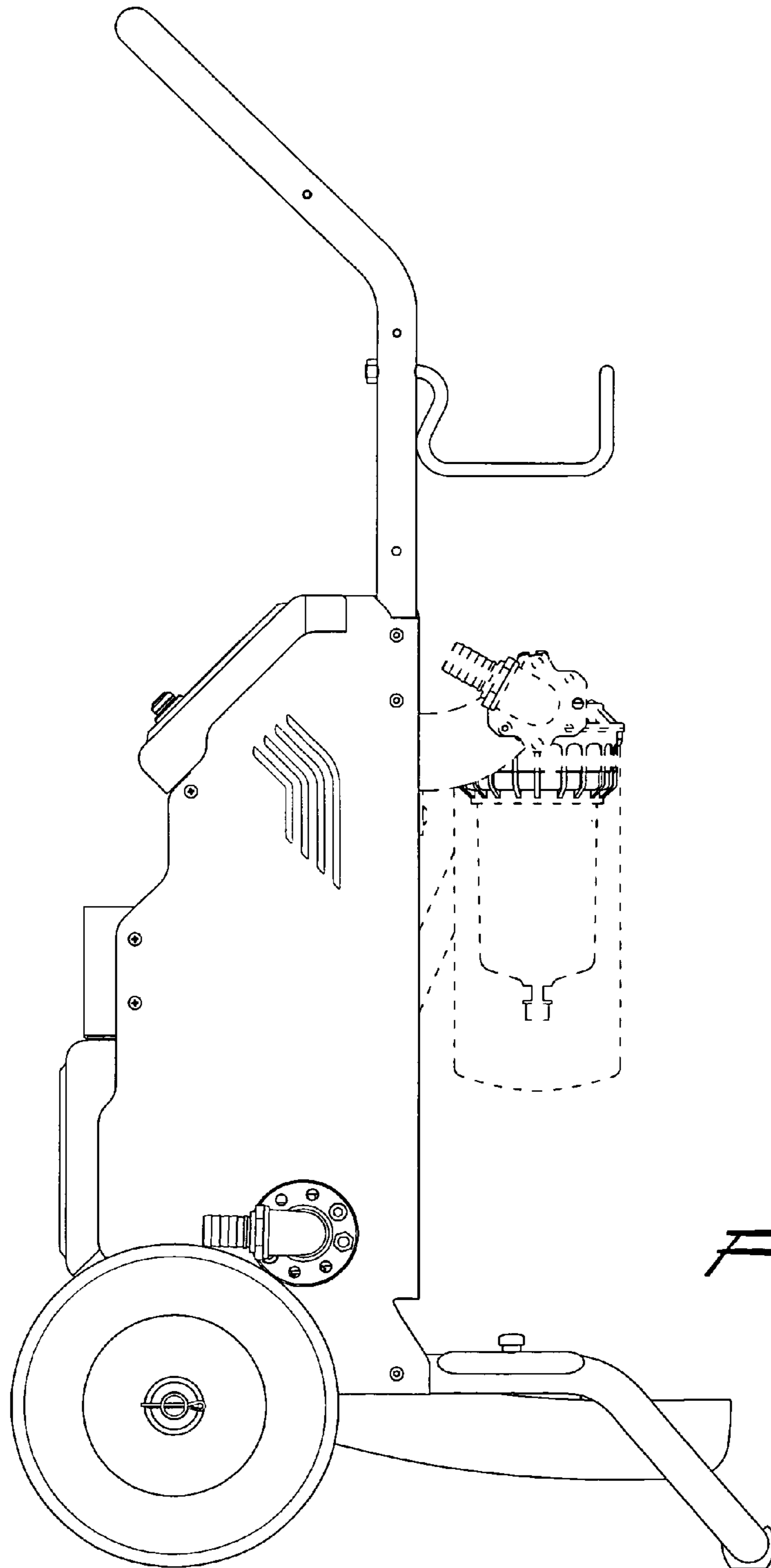


Fig. 11

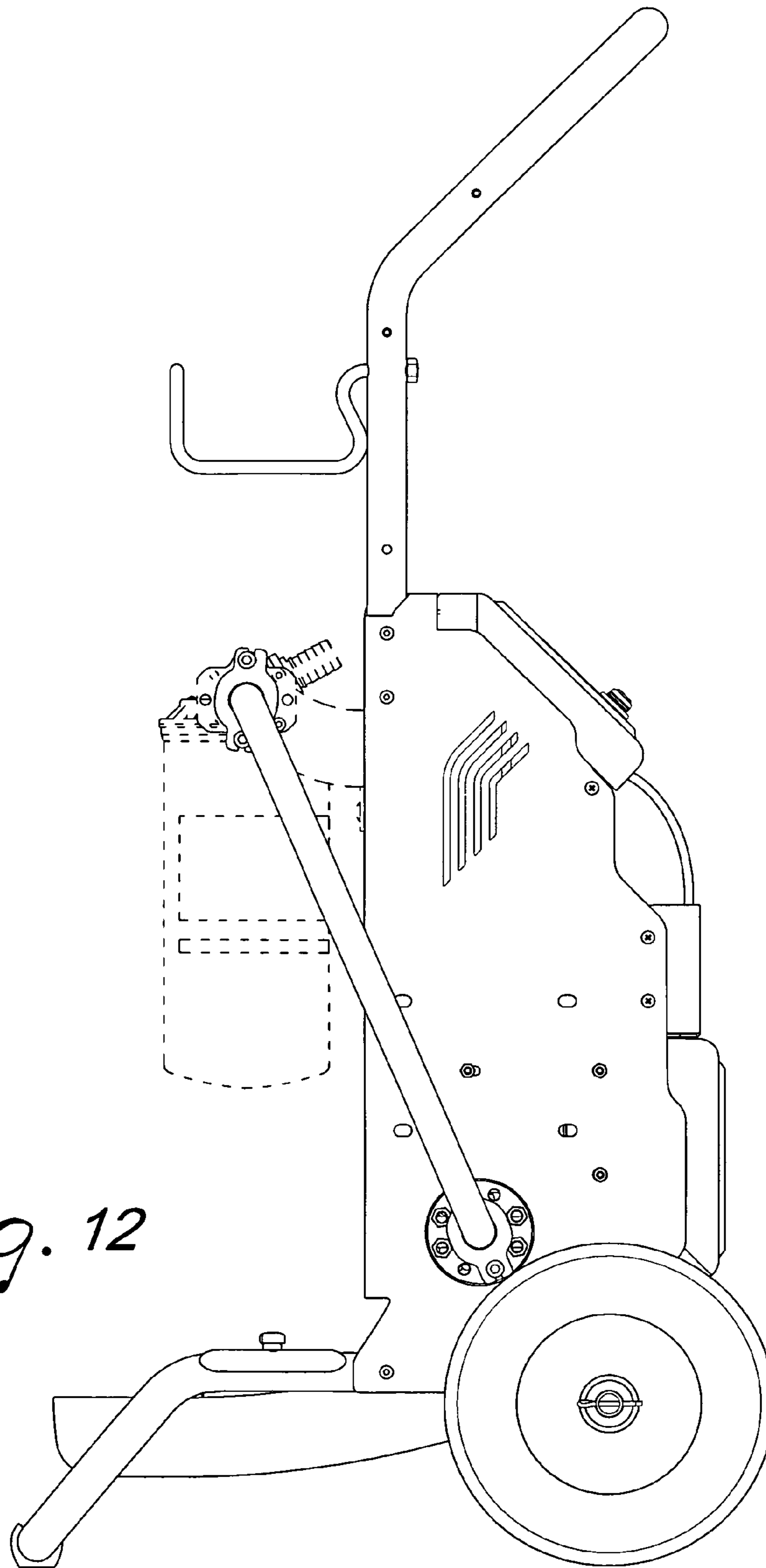


Fig. 12

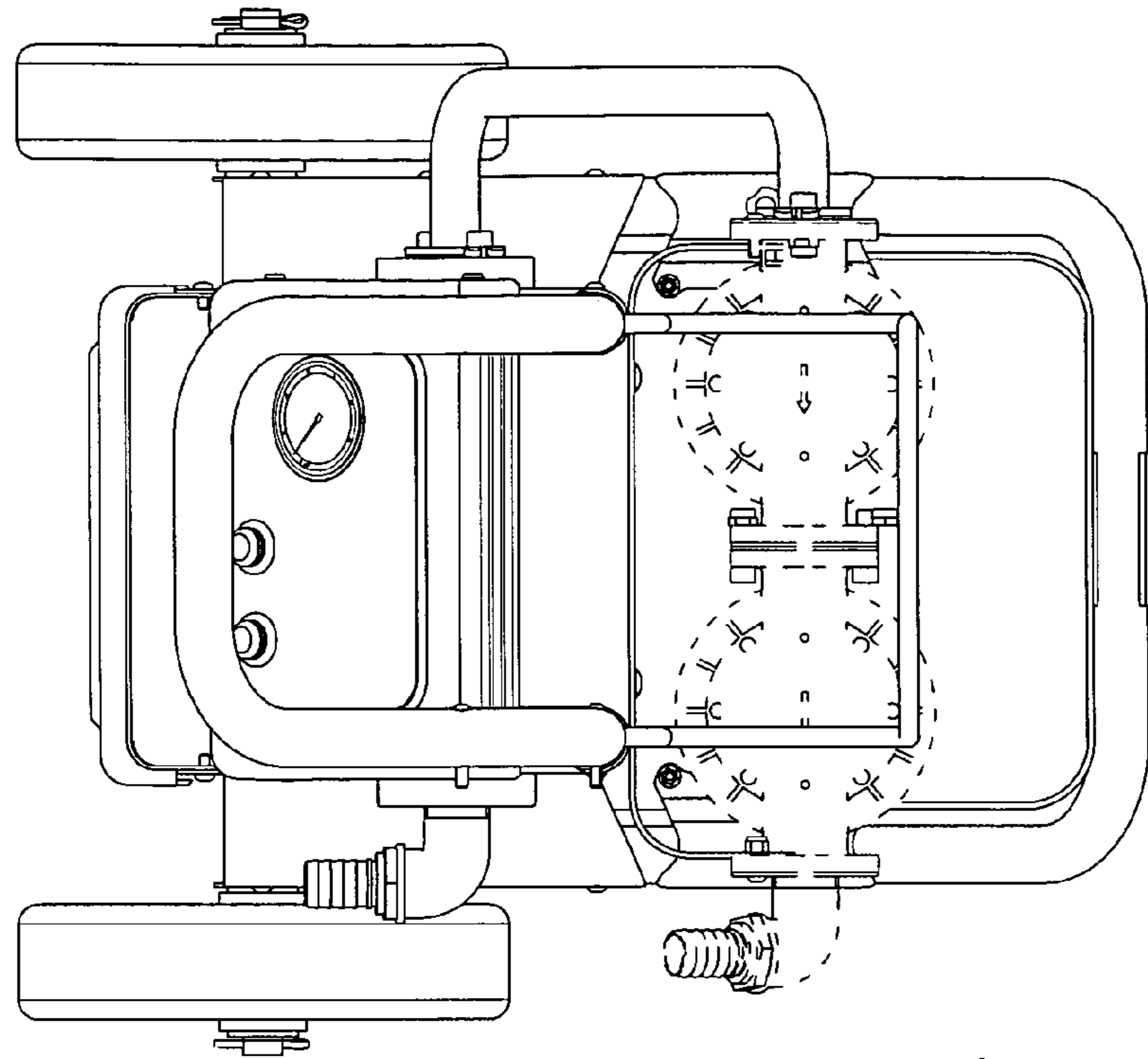


Fig. 13

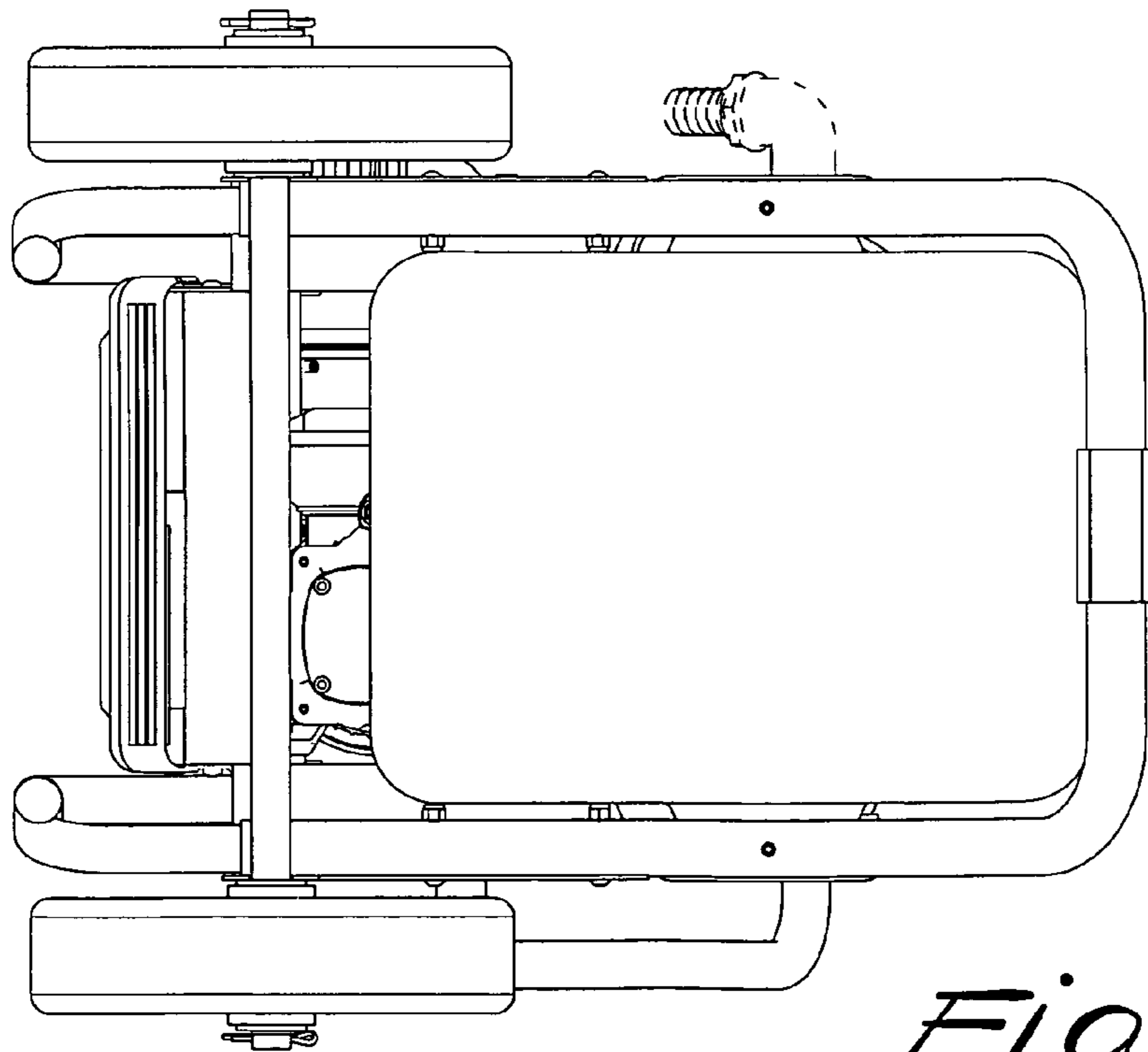


Fig. 14