



US00D663007S

(12) **United States Design Patent**
Koelewyn

(10) **Patent No.:** **US D663,007 S**
(45) **Date of Patent:** **** Jul. 3, 2012**

(54) **SPINNING REEL**

(76) Inventor: **Robert W. Koelewyn**, Stratford, CT
(US)

(**) Term: **14 Years**

(21) Appl. No.: **29/373,479**

(22) Filed: **Apr. 12, 2011**
(Under 37 CFR 1.47)

(51) **LOC (9) Cl.** **22-05**

(52) **U.S. Cl.** **D22/141**

(58) **Field of Classification Search** D22/140-141,
D22/137-139; 242/310-316, 223-224, 230,
242/283, 322, 242; 43/19-22

See application file for complete search history.

(56) **References Cited**

U.S. PATENT DOCUMENTS

D505,991 S *	6/2005	Iwabuchi et al.	D22/141
D595,386 S *	6/2009	Nago	D22/141
D627,417 S *	11/2010	Nago	D22/141

* cited by examiner

Primary Examiner — Catheri Oliver

(74) *Attorney, Agent, or Firm* — Ware, Fressola, Van Der Sluys & Adolphson LLP

(57) **CLAIM**

The ornamental design for a spinning reel, as shown and described.

DESCRIPTION

FIG. 1 is a first perspective view of a first embodiment of a spinning reel of the invention;

FIG. 2 is a second perspective view of the spinning reel of FIG. 1;

FIG. 3 is a left side elevation view of the spinning reel of FIG. 1;

FIG. 4 is a right side elevation view of the spinning reel of FIG. 1;

FIG. 5 is a front elevation view of the spinning reel of FIG. 1;

FIG. 6 is a rear elevation view of the spinning reel of FIG. 1;

FIG. 7 is a top view of the spinning reel of FIG. 1; and,

FIG. 8 is a bottom view of the spinning reel of FIG. 1.

1 Claim, 4 Drawing Sheets

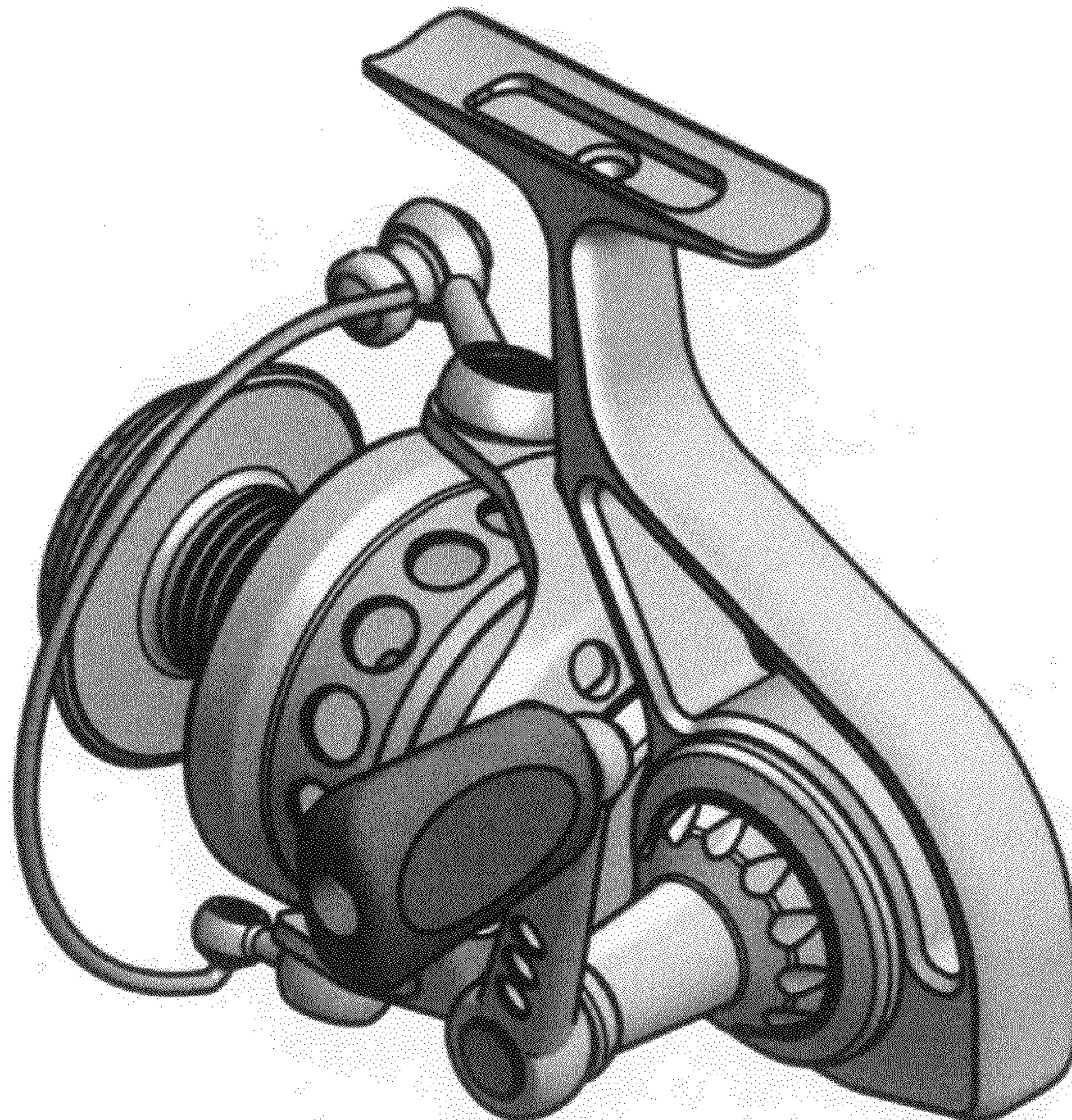


FIG. 1

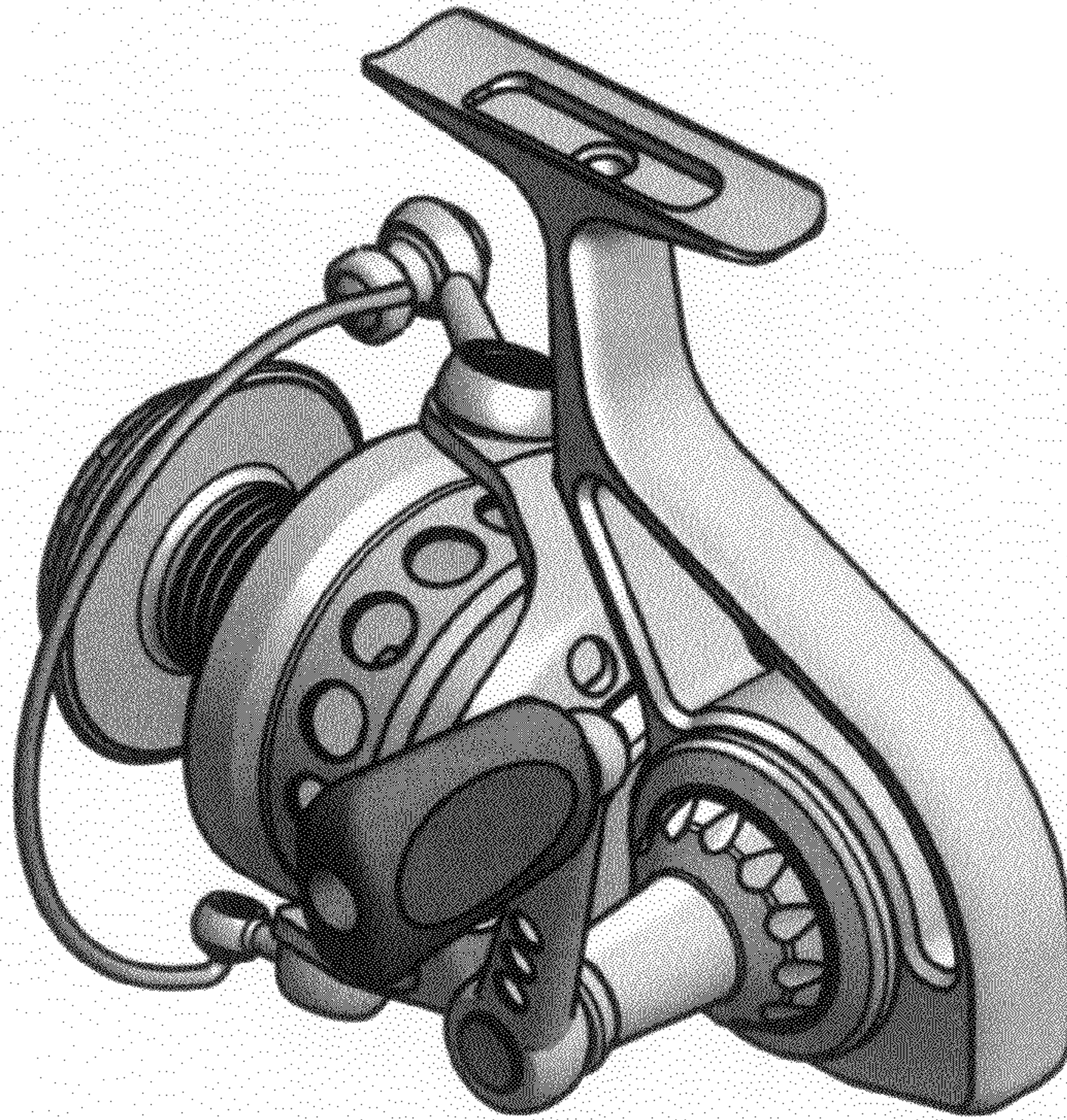


FIG. 2

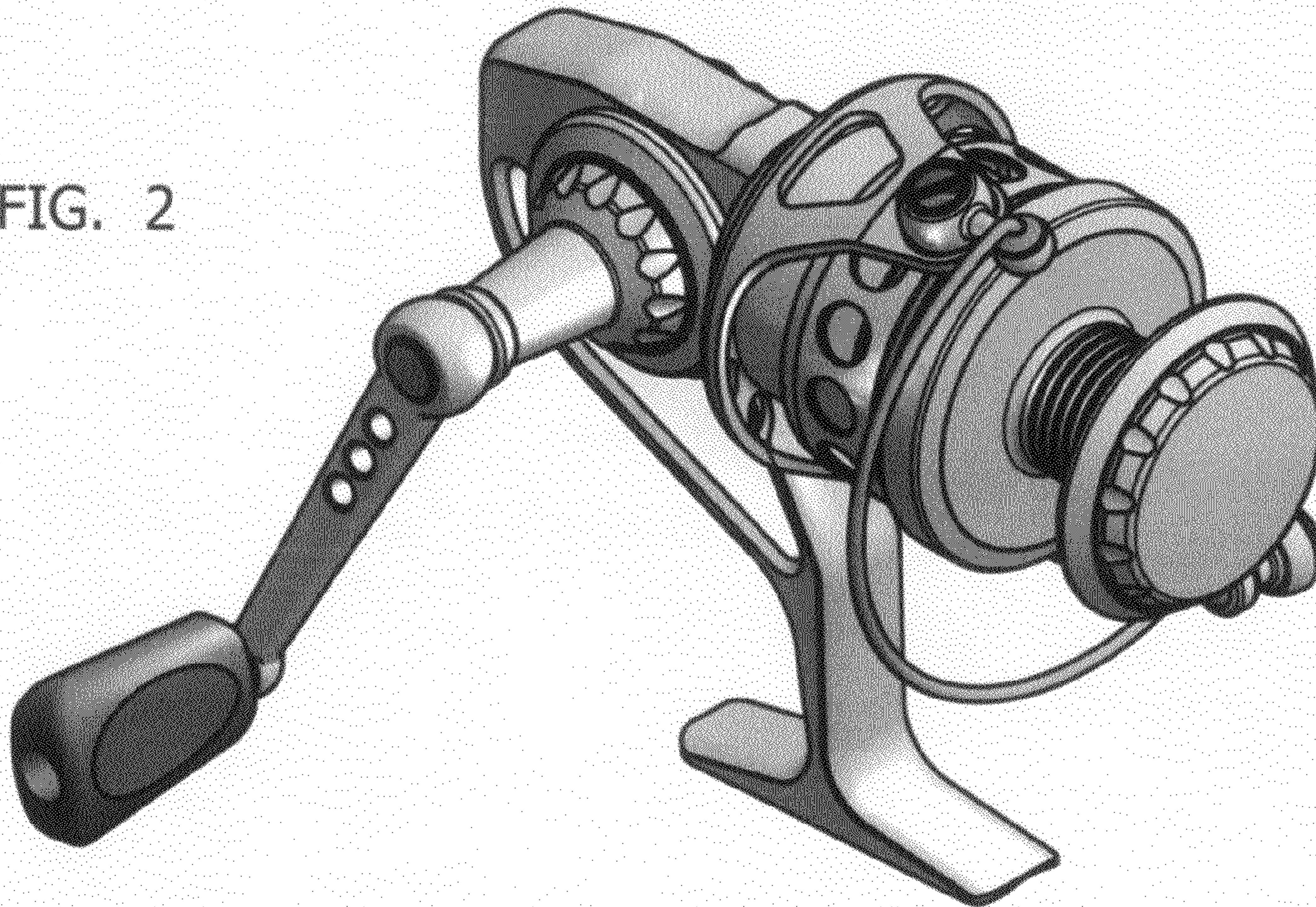


FIG. 3

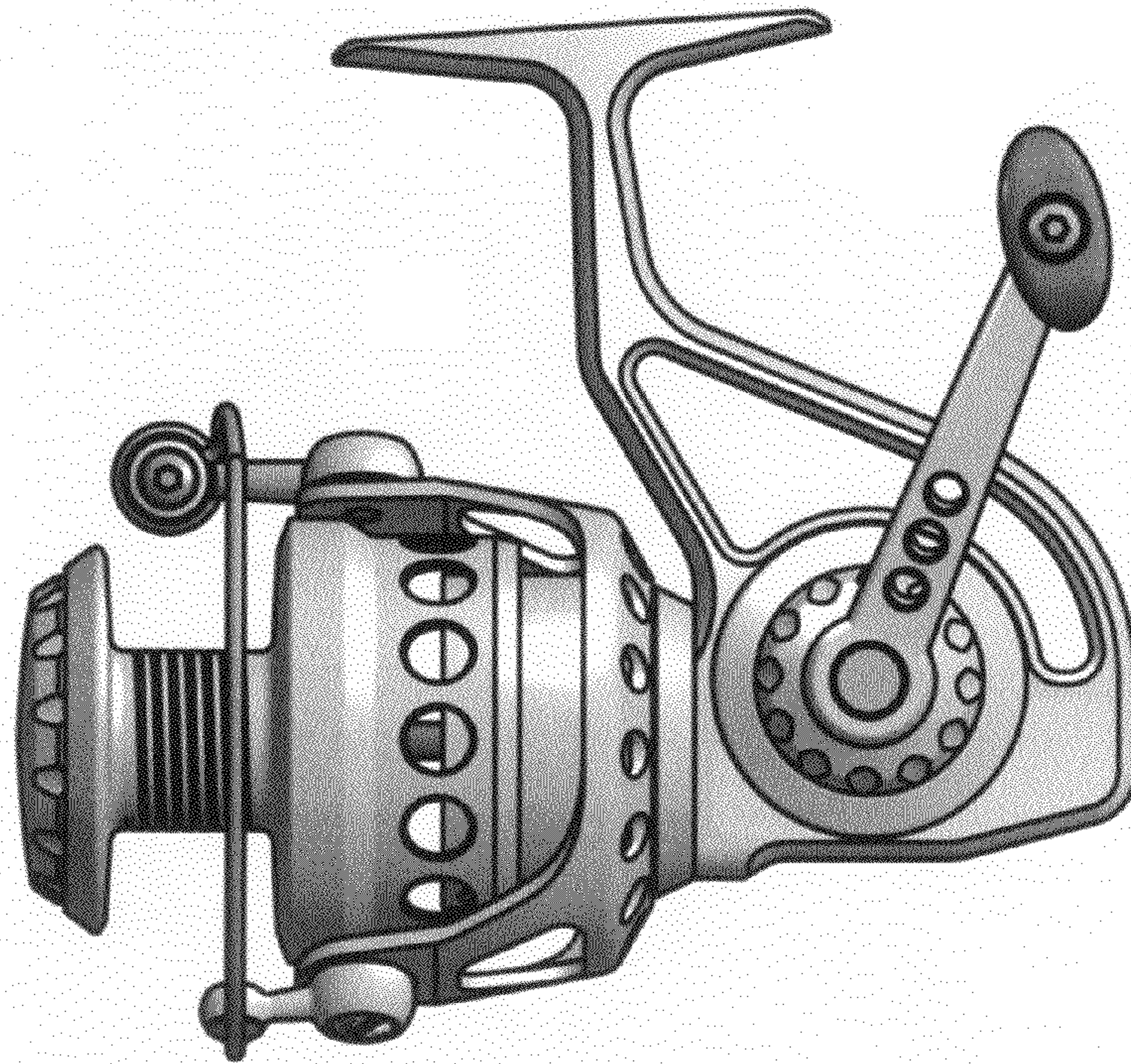


FIG. 4

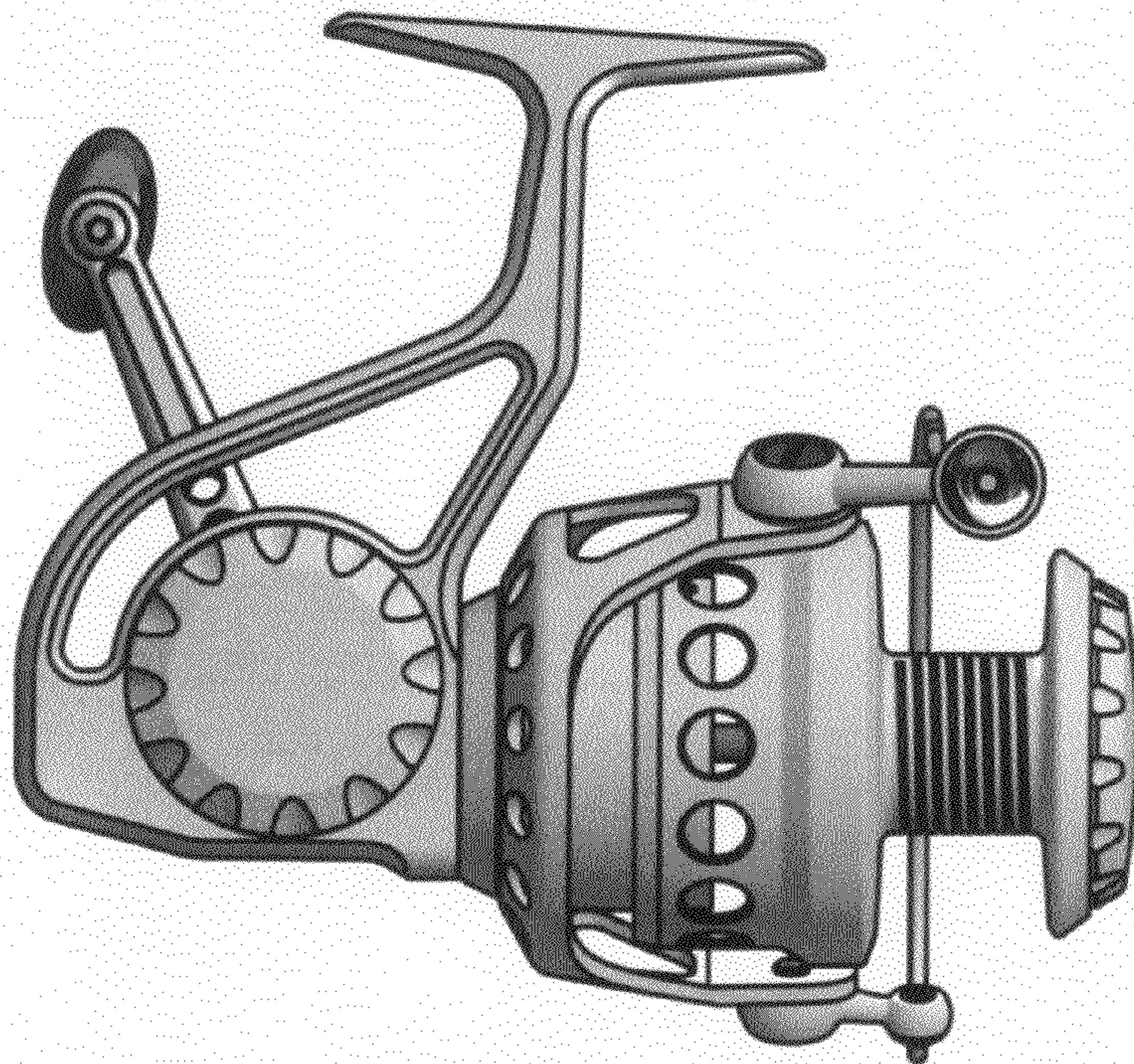


FIG. 5

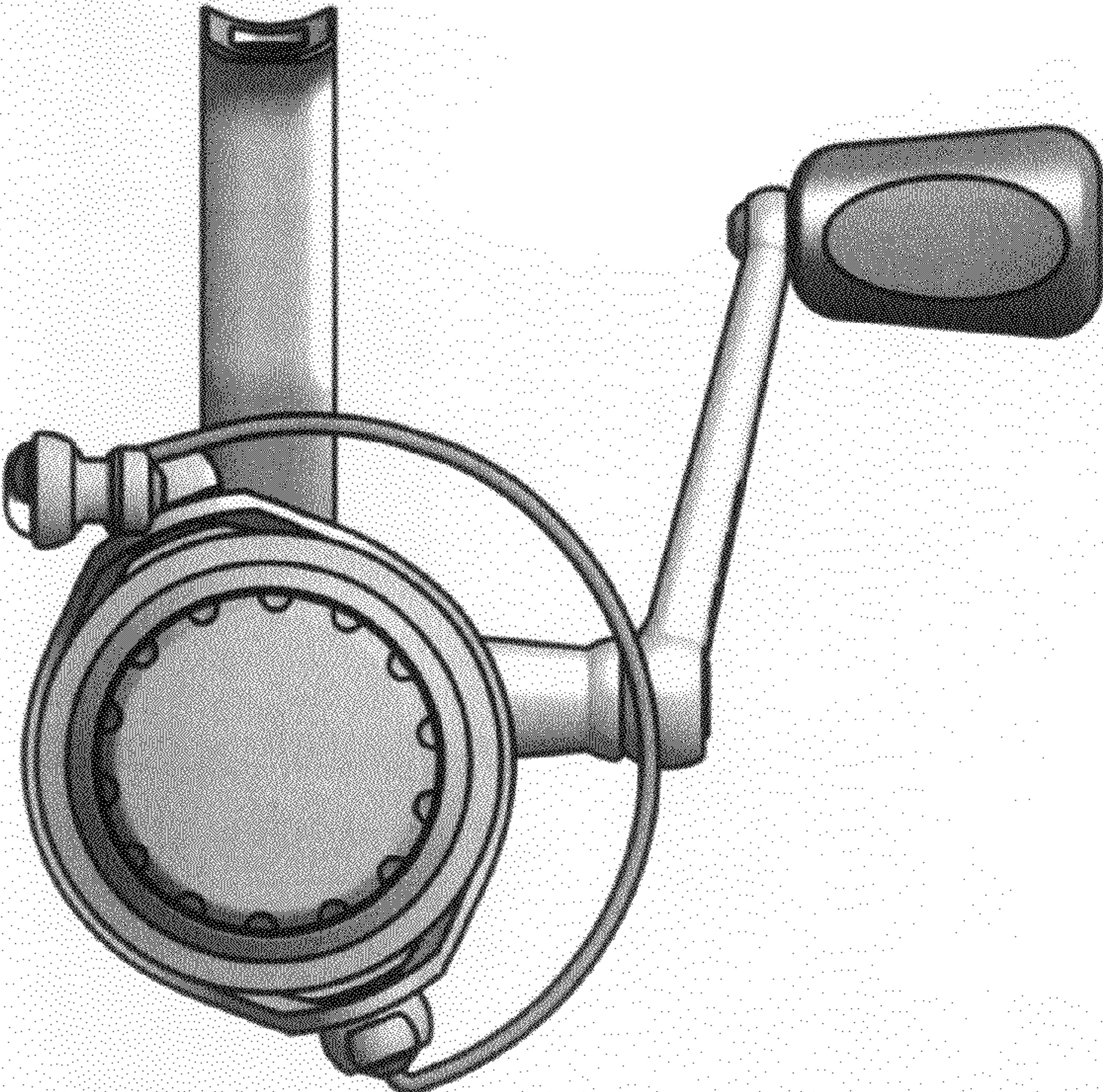


FIG. 6

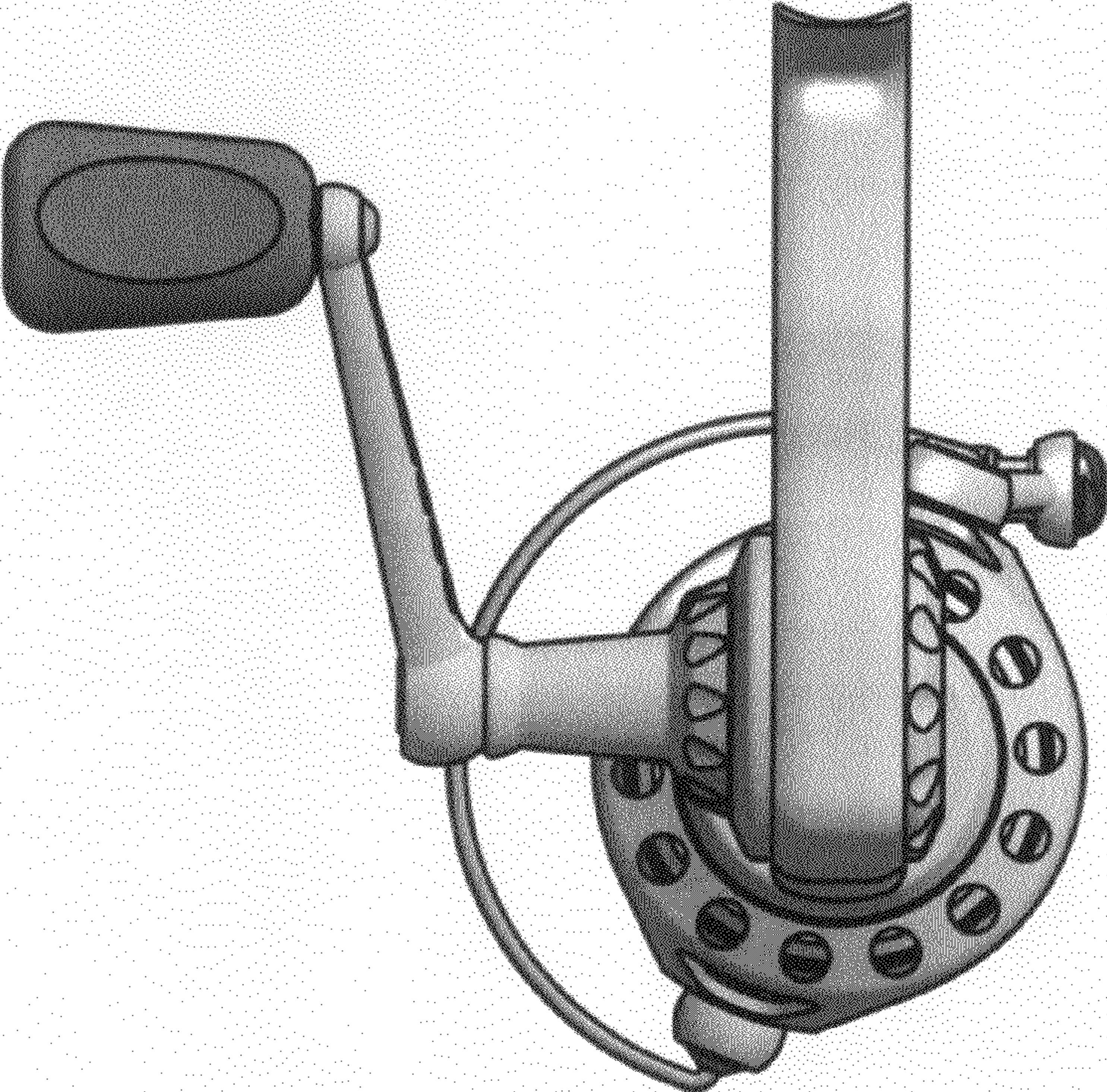


FIG. 7

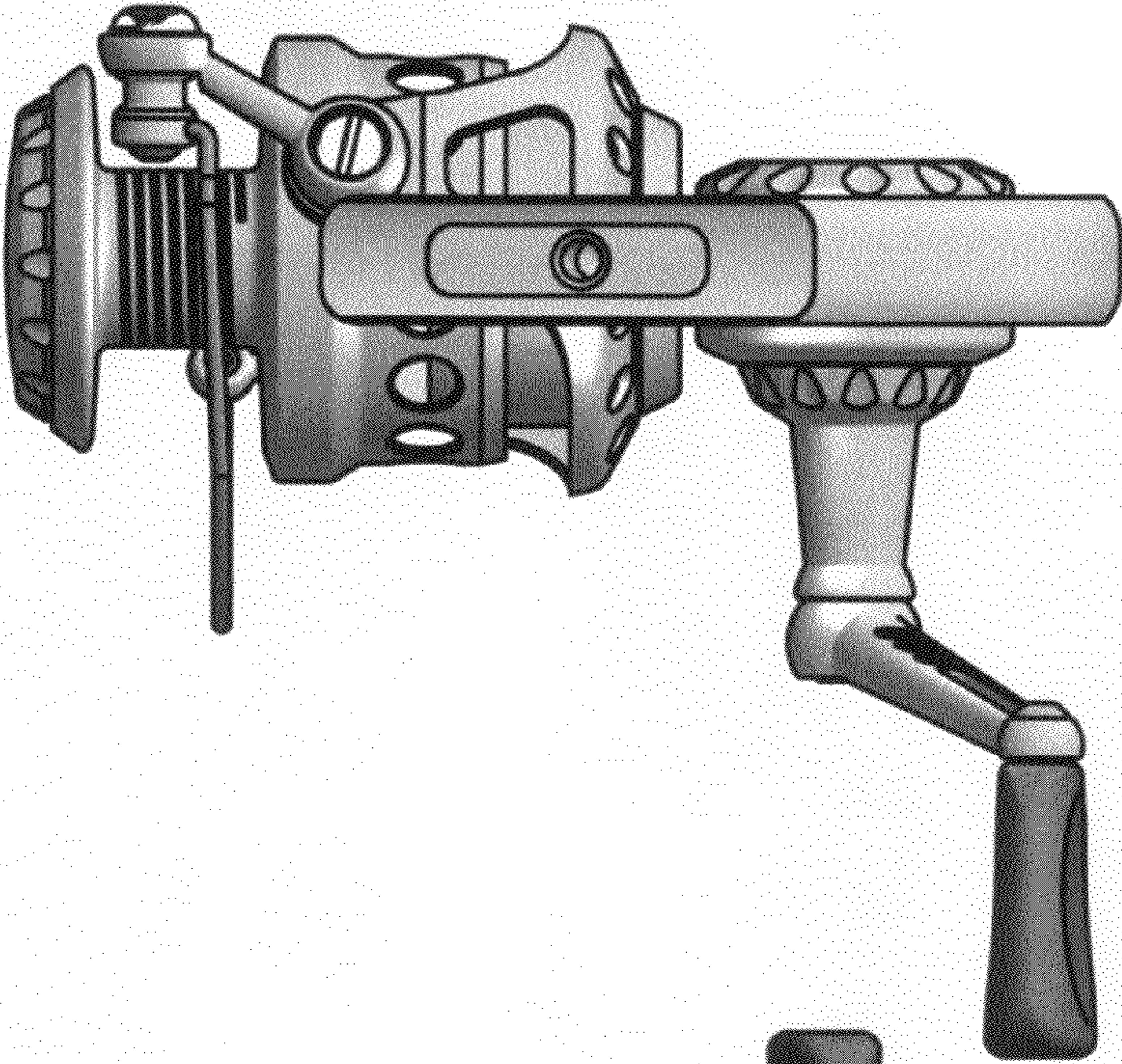


FIG. 8

