



US00D663006S

(12) **United States Design Patent**
Storch

(10) **Patent No.:** **US D663,006 S**

(45) **Date of Patent:** **** Jul. 3, 2012**

(54) **CANTED FIREARM OPTIC SUPPORT POST**

(75) Inventor: **Troy Storch**, Waukesha, WI (US)

(73) Assignee: **American Defense Manufacturing, LLC**, New Berlin, WI (US)

(**) Term: **14 Years**

(21) Appl. No.: **29/375,166**

(22) Filed: **Sep. 17, 2010**

(51) **LOC (9) Cl.** **22-01**

(52) **U.S. Cl.** **D22/108**

(58) **Field of Classification Search** D22/108-110,
D22/199; 89/200-204; 359/399, 823, 744;
42/104, 105, 111-113, 116, 120, 124-126,
42/127-129, 141-148, 133-140; 33/227,
33/229

See application file for complete search history.

(56) **References Cited**

U.S. PATENT DOCUMENTS

944,916	A	12/1909	Shepard	
1,083,288	A	1/1914	Lowe	
2,115,618	A	4/1938	Carl	
2,367,762	A	1/1945	Olsen	
2,425,130	A	8/1947	Shelley	
2,445,087	A	7/1948	Rogers	
2,527,289	A	10/1950	Allen	
2,529,801	A	11/1950	Fisk	
2,571,935	A	10/1951	Pachmayr et al.	
2,629,175	A	2/1953	Merritt	
2,639,507	A	5/1953	Pachmayr	
2,644,237	A	7/1953	Pachmayr	
2,710,453	A	6/1955	Beverly	
2,803,880	A	8/1957	Weaver	
4,092,793	A	6/1978	Ricks	
4,092,899	A	6/1978	Lienau	
4,461,087	A	7/1984	Norman	
5,111,587	A *	5/1992	Plank	42/127
5,606,818	A *	3/1997	Hardee	42/124

6,513,276	B2 *	2/2003	Mendoza-Orozco	42/137
6,705,037	B2	3/2004	Van Kirk	
D537,499	S *	2/2007	Swan	D22/110
D548,811	S *	8/2007	Swan	D22/109
D584,789	S *	1/2009	Swan	D22/110
D586,875	S *	2/2009	Swan	D22/109
D588,672	S *	3/2009	Swan	D22/109
7,685,759	B2 *	3/2010	Teetzel	42/127
D623,254	S *	9/2010	Larsson	D22/108
2003/0192224	A1	10/2003	Kirk	
2004/0244263	A1	12/2004	Pettersson et al.	
2006/0162227	A1	7/2006	Samson	
2006/0207156	A1 *	9/2006	Larue	42/127
2008/0216380	A1 *	9/2008	Teetzel	42/127

* cited by examiner

Primary Examiner — Michael Pratt

(74) *Attorney, Agent, or Firm* — Boyle Fredrickson, S.C.

(57) **CLAIM**

The ornamental design for a canted firearm optic support post, substantially as shown and described.

DESCRIPTION

FIG. 1 is a perspective view a canted firearm optic support post according the present invention;

FIG. 2 is top plan view of the optic support post shown in FIG. 1;

FIG. 3 is an elevation view of a right side of the optic support post shown in FIG. 1;

FIG. 4 is an elevation view of a front side of the optic support post shown in FIG. 1;

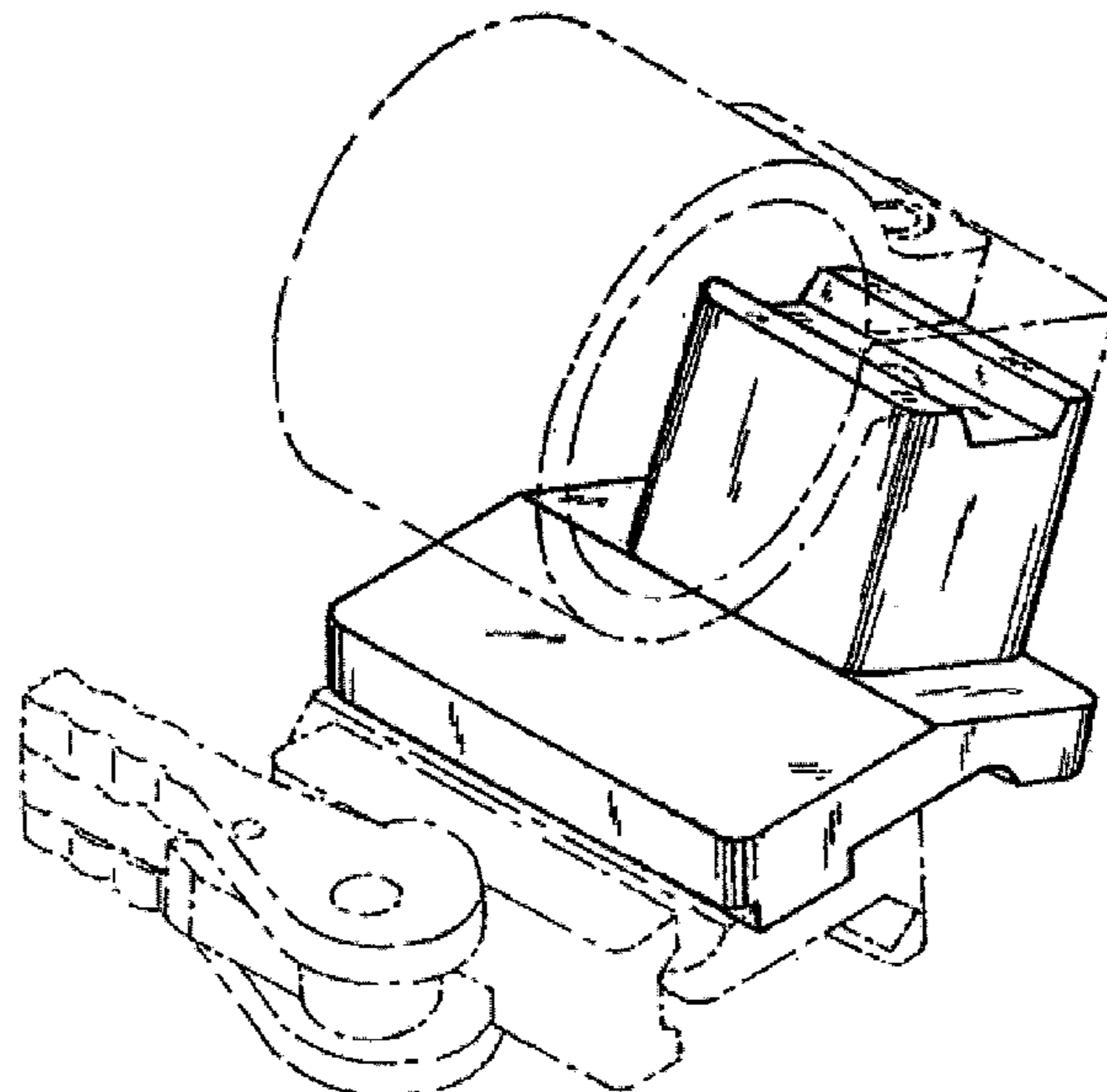
FIG. 5 is a bottom plan view of the optic support post shown in FIG. 1;

FIG. 6 is an elevation view of a left side of the optic support post shown in FIG. 1; and,

FIG. 7 is an elevation view of a rear side of the optic support post shown in FIG. 2.

The broken lines represent environmental structure and show portions of the design that form no part of the claimed design.

1 Claim, 3 Drawing Sheets



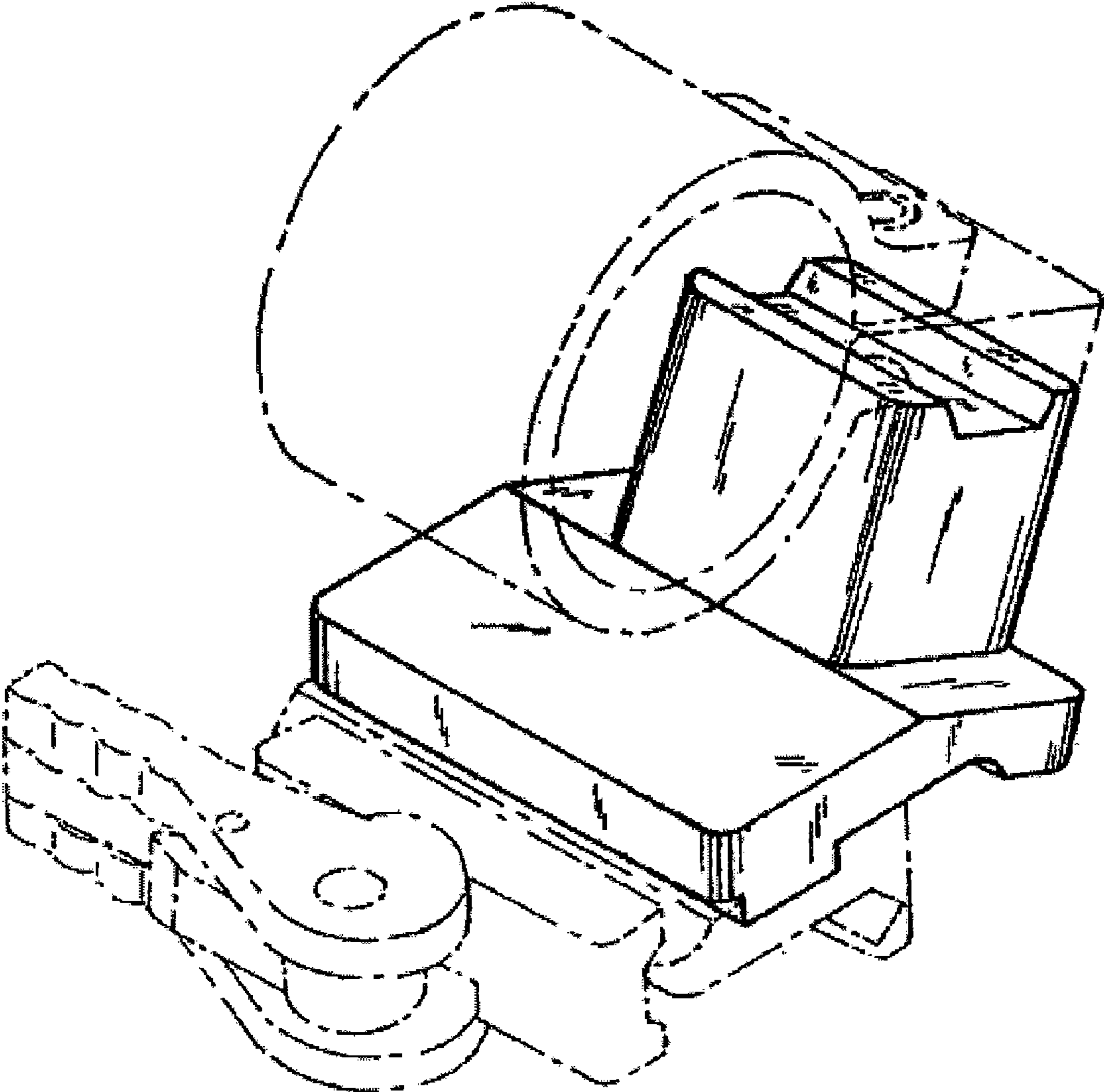


FIG. 1

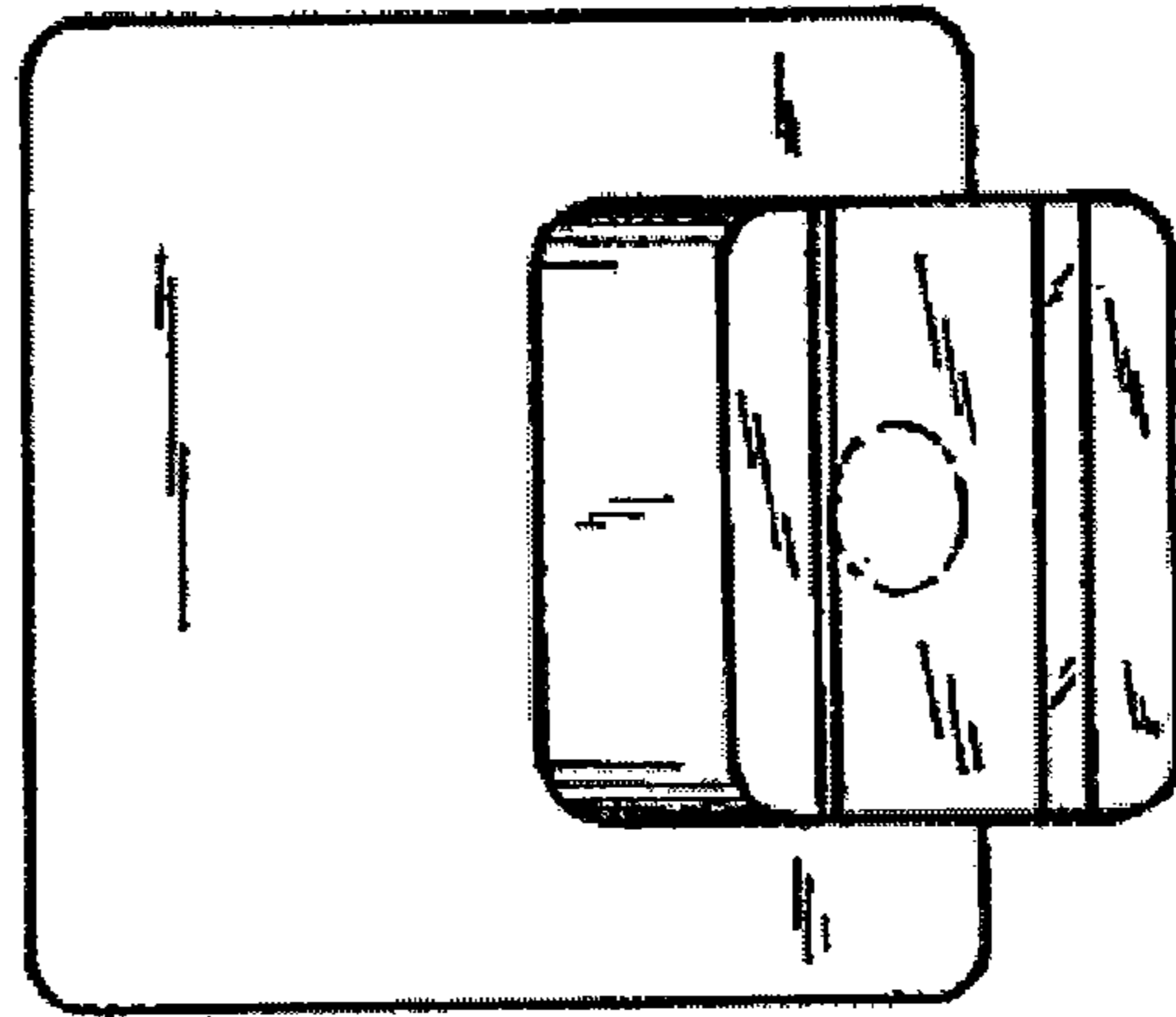


FIG. 2

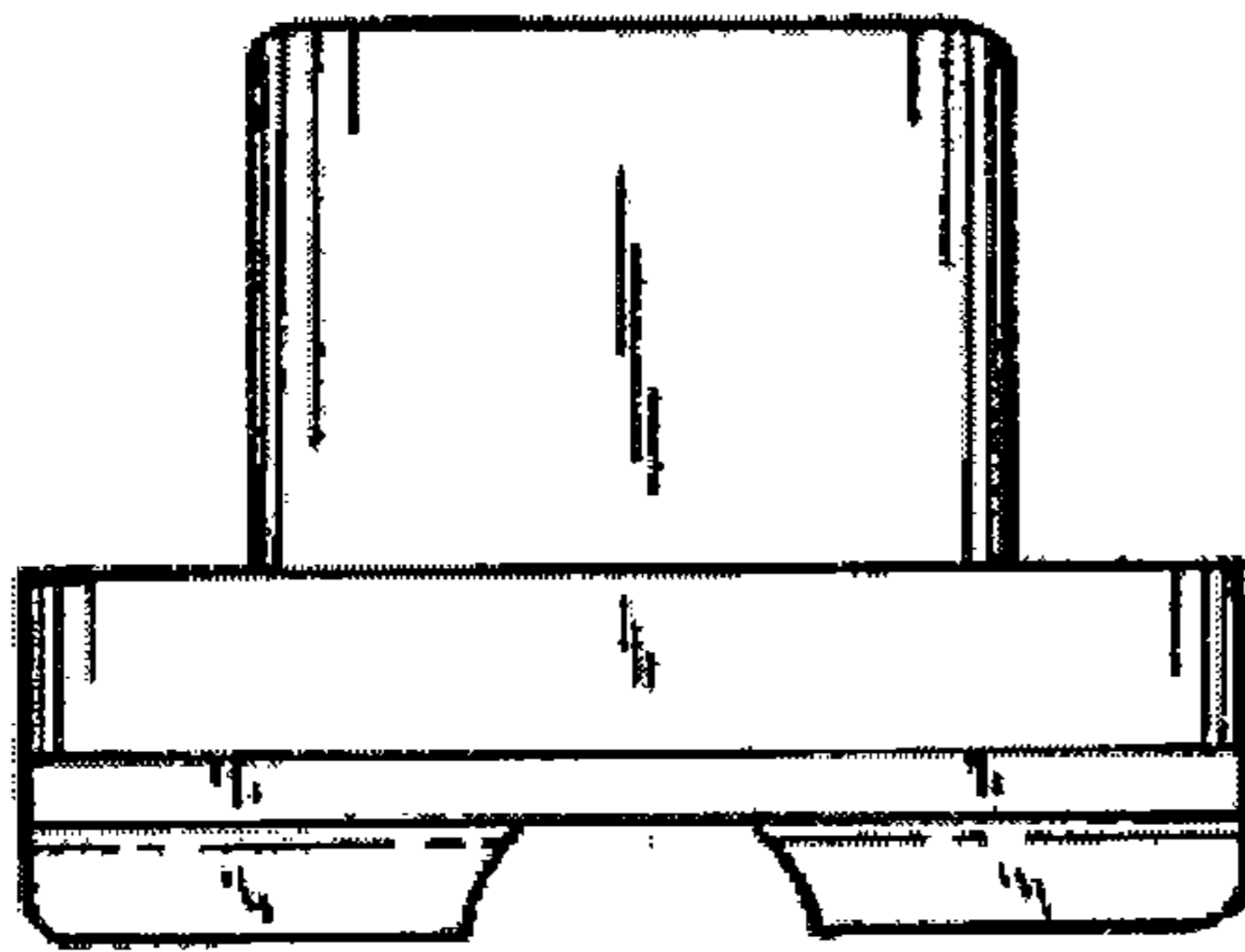


FIG. 3

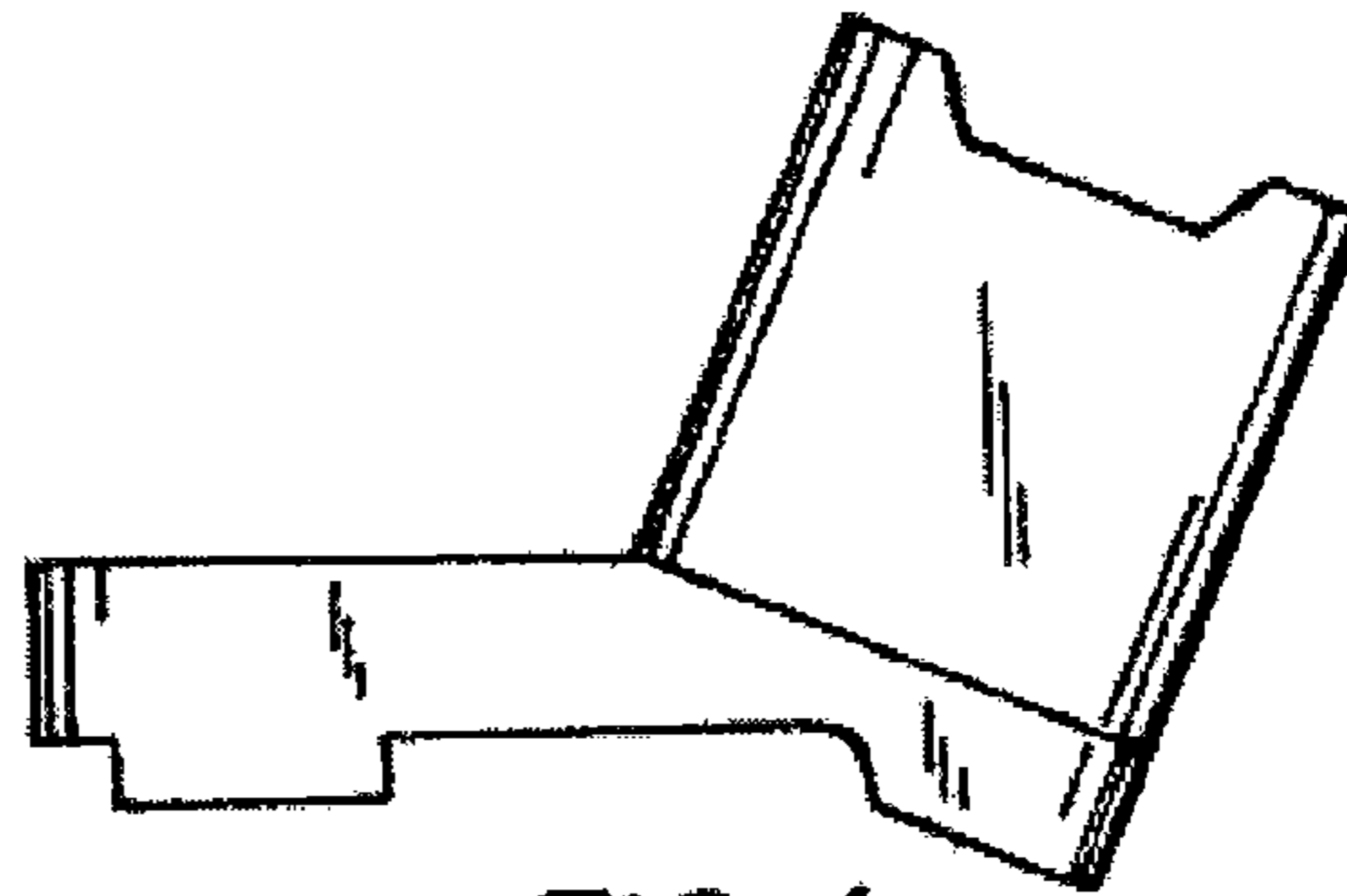


FIG. 4

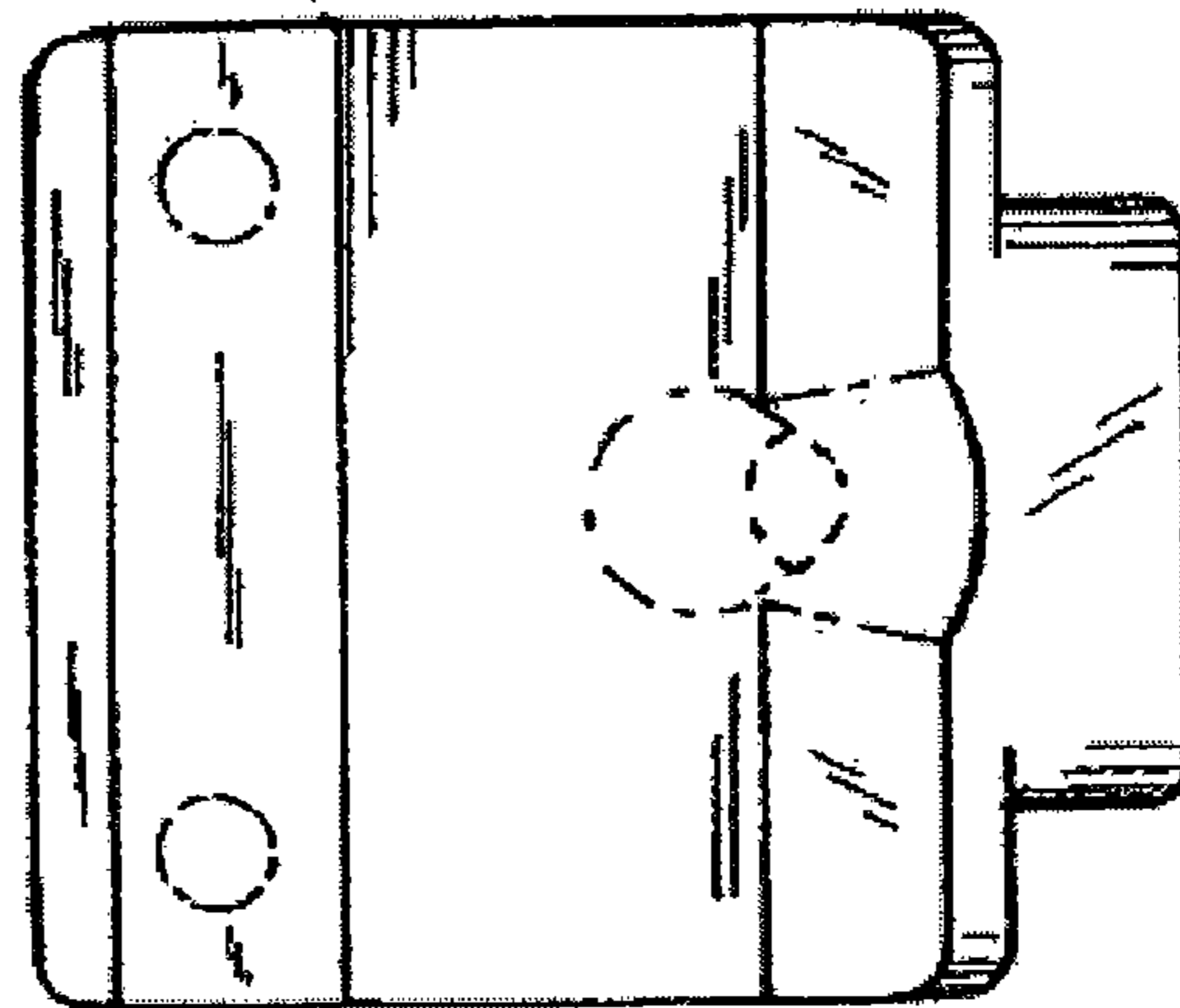


FIG. 5

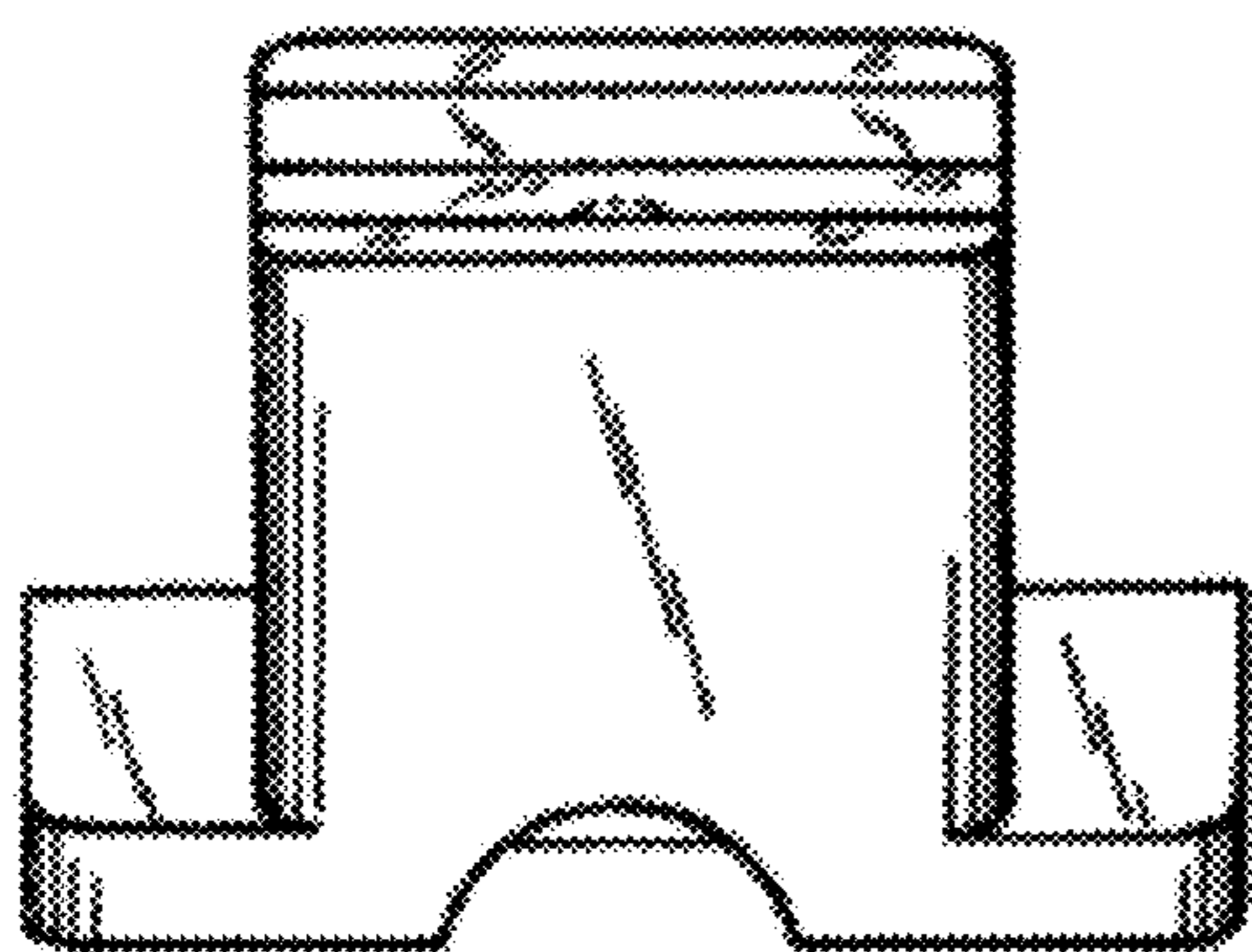


FIG. 6

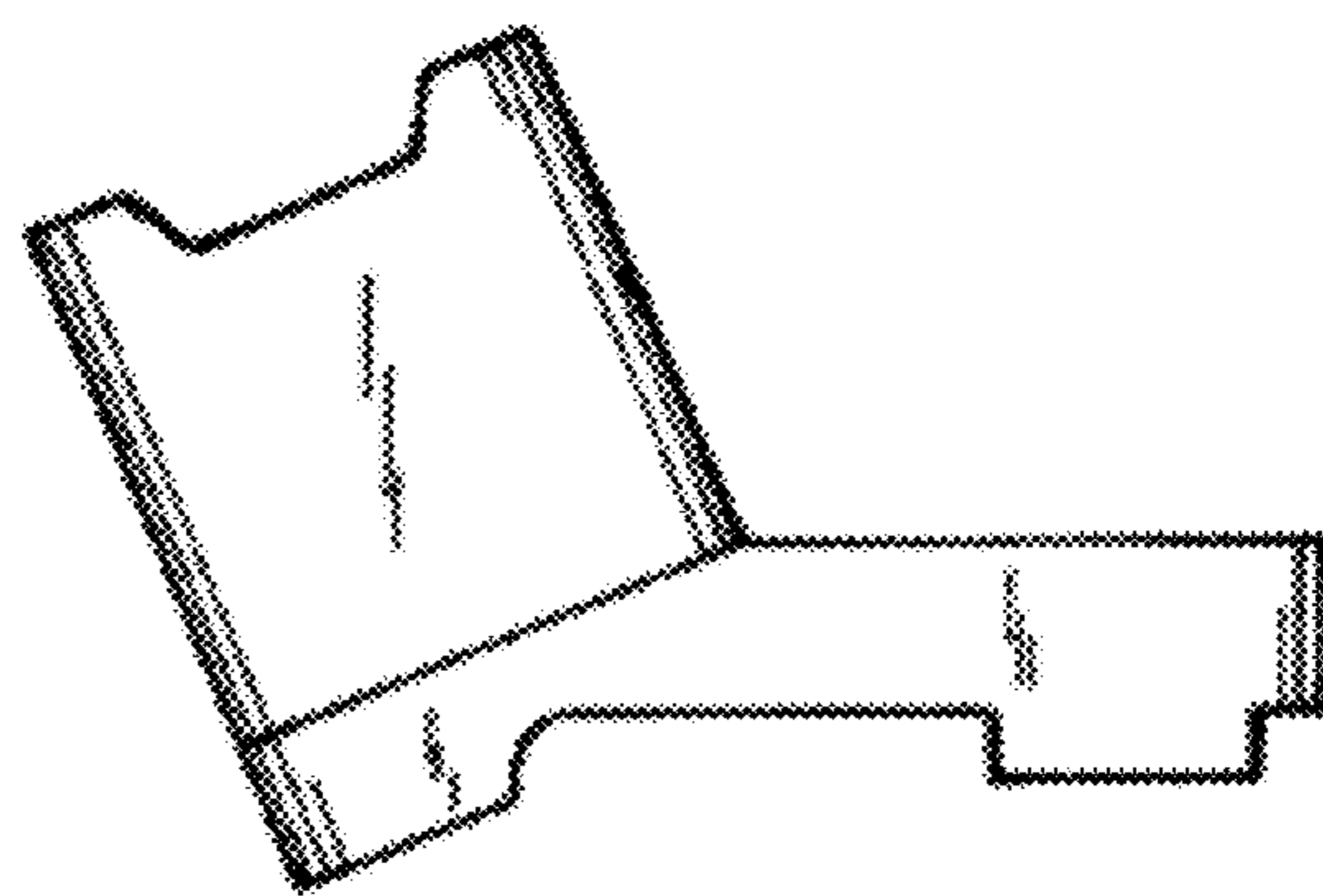


FIG. 7