



US00D663005S

(12) **United States Design Patent**
Smith

(10) **Patent No.:** **US D663,005 S**
(45) **Date of Patent:** **** Jul. 3, 2012**

(54) **SHOTGUN SIGHT**

(76) Inventor: **Cleveland C. Smith**, Helena, MT (US)

(**) Term: **14 Years**

(21) Appl. No.: **29/370,217**

(22) Filed: **Jun. 16, 2010**

(51) **LOC (9) Cl.** **22-01**

(52) **U.S. Cl.** **D22/108**

(58) **Field of Classification Search** D22/108-110,
D22/199; 89/200-204; 359/399, 823, 744;
42/104, 105, 111-113, 116, 120, 124-126,
42/127-129, 141-148, 133-140; 33/227,
33/229

See application file for complete search history.

(56) **References Cited**

U.S. PATENT DOCUMENTS

752,962	A	2/1904	Eby	
2,730,806	A	1/1956	Williams et al.	
2,874,504	A	2/1959	Martinek	
2,904,888	A	9/1959	Niesp	
3,945,142	A *	3/1976	Keppeler	42/135
D242,796	S *	12/1976	Ross	D22/109
4,008,536	A	2/1977	Adams	
4,945,667	A *	8/1990	Rogalski et al.	42/114
5,070,619	A *	12/1991	Santiago	42/144
5,394,633	A *	3/1995	Alessandri, Jr.	42/79
D374,474	S *	10/1996	Persson	D22/109
D393,306	S *	4/1998	Couper	D22/109

5,836,100	A	11/1998	Stover	
5,878,503	A	3/1999	Howe et al.	
5,956,854	A	9/1999	Lorocco	
6,014,830	A *	1/2000	Brown et al.	42/145
D421,785	S *	3/2000	Uhlmann et al.	D22/109
D423,630	S *	4/2000	Flubacher et al.	D22/109
6,058,615	A *	5/2000	Uhlmann et al.	42/132
D428,102	S *	7/2000	Flubacher et al.	D22/109
6,446,377	B1 *	9/2002	Hollenbach et al.	42/148
6,604,315	B1	8/2003	Smith et al.	
6,678,987	B2	1/2004	Howe	
6,860,056	B2	3/2005	Howe	

* cited by examiner

Primary Examiner — Michael Pratt

(74) *Attorney, Agent, or Firm* — Todd N. Hathaway

(57) **CLAIM**

The ornamental design for a shotgun sight, as shown and described.

DESCRIPTION

FIG. 1 is a front perspective view of a shotgun sight showing my new design;

FIG. 2 is a rear perspective view thereof;

FIG. 3 is a left-side elevational view thereof;

FIG. 4 is a right-side elevational view thereof;

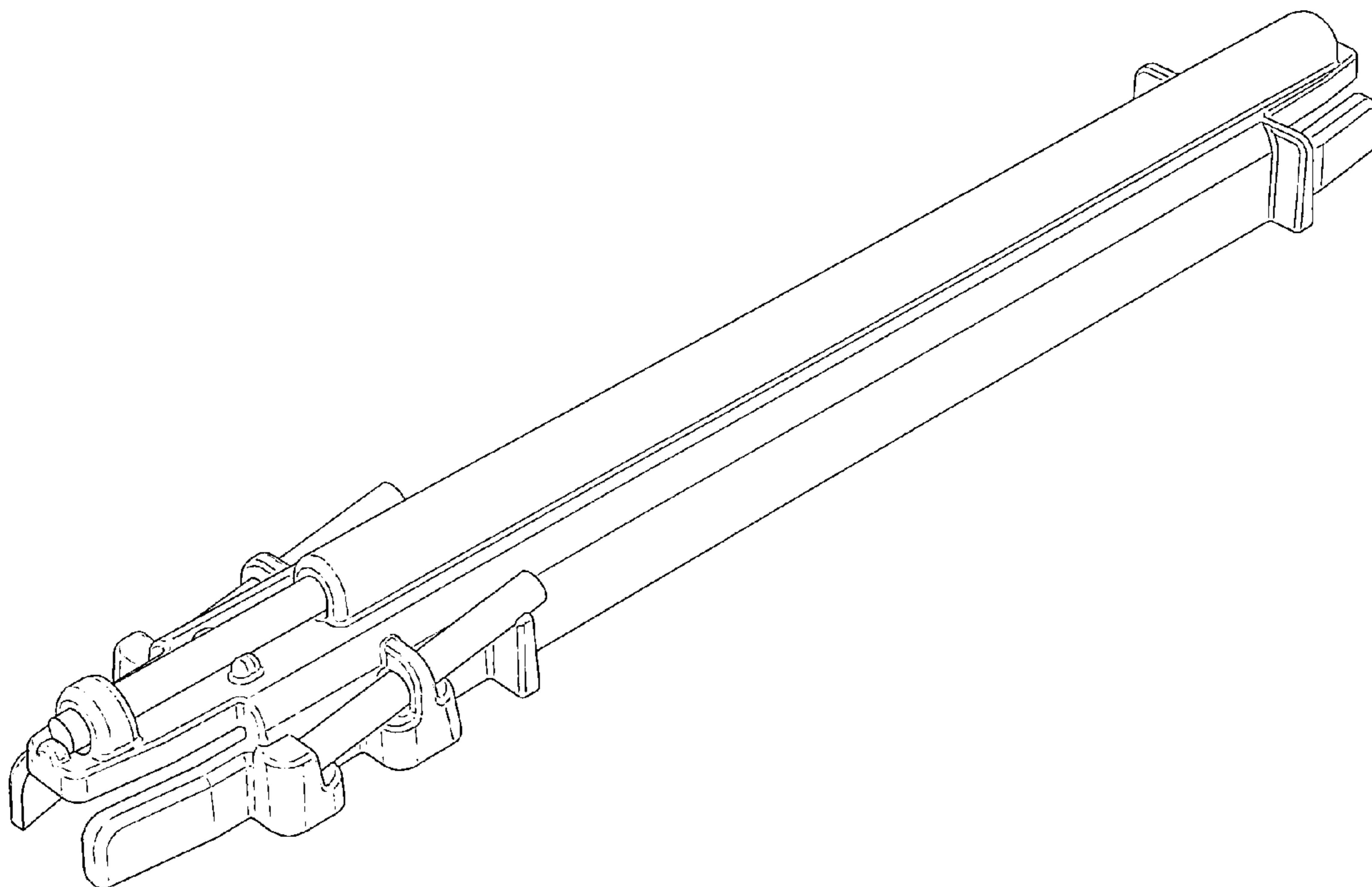
FIG. 5 is a front elevational view thereof;

FIG. 6 is a rear elevational view thereof;

FIG. 7 is a top plan view thereof; and,

FIG. 8 is bottom plan view thereof.

1 Claim, 4 Drawing Sheets



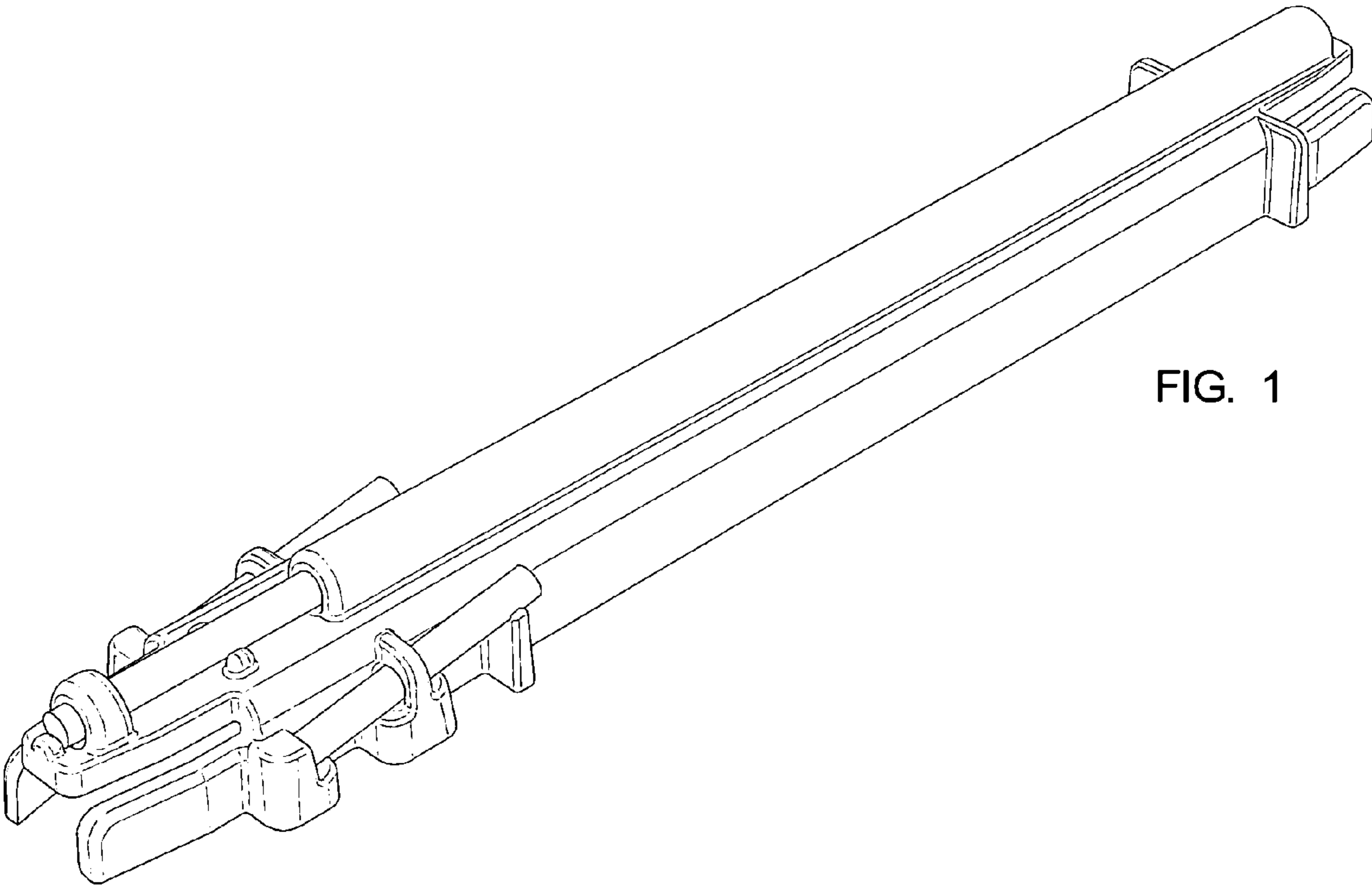


FIG. 1

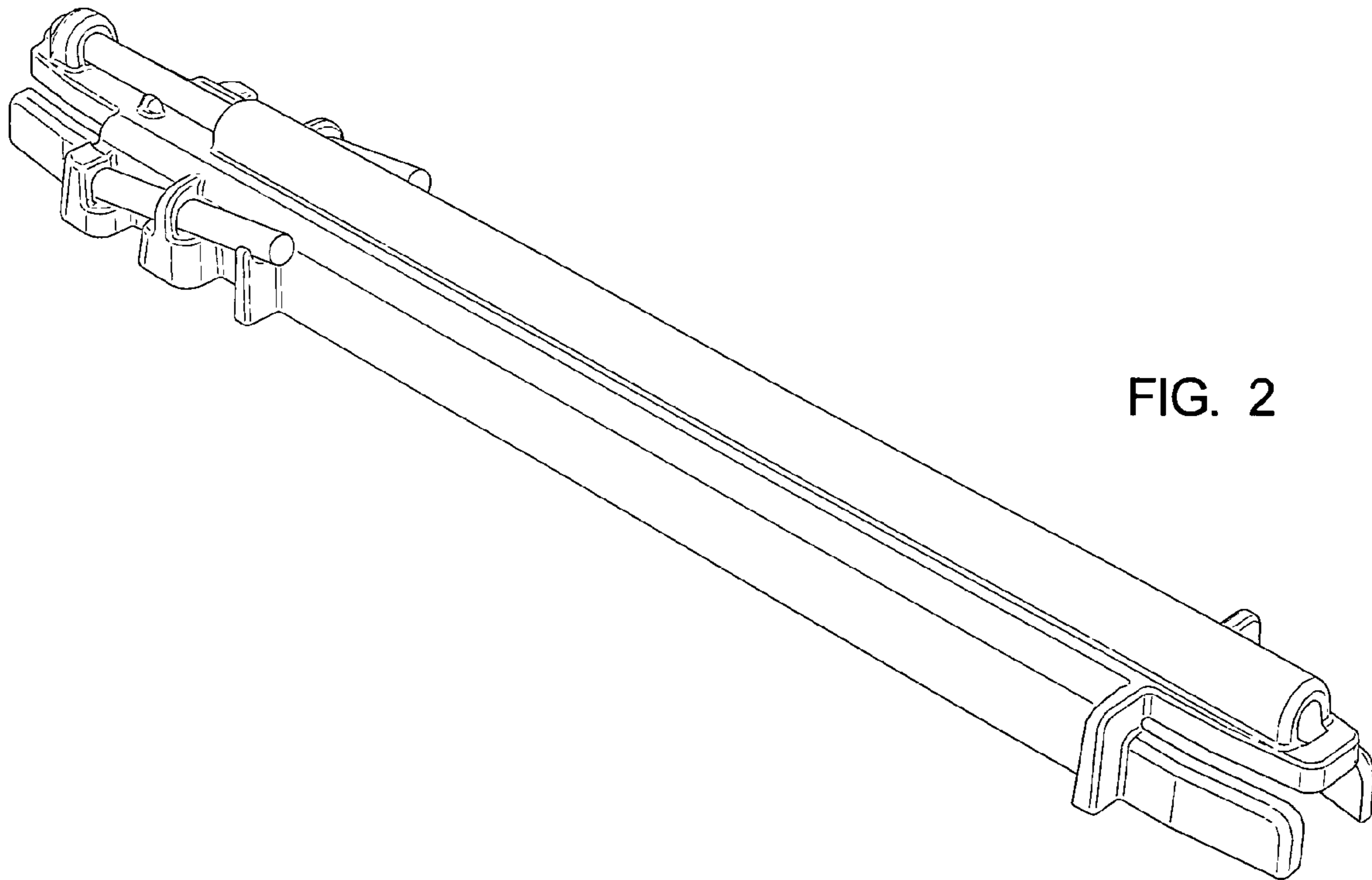


FIG. 2

FIG. 3

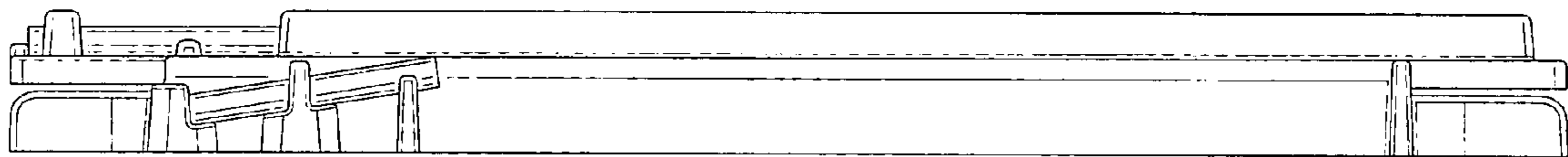


FIG. 4

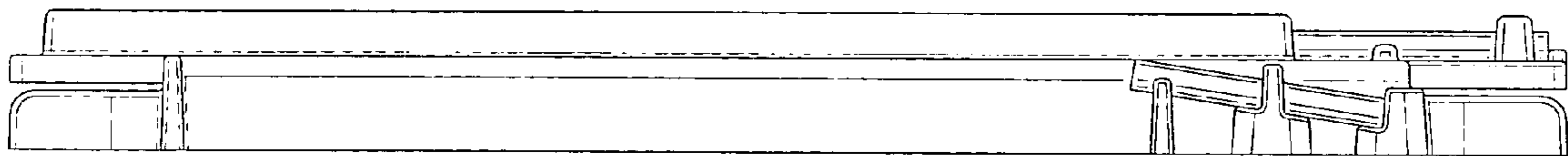


FIG. 5

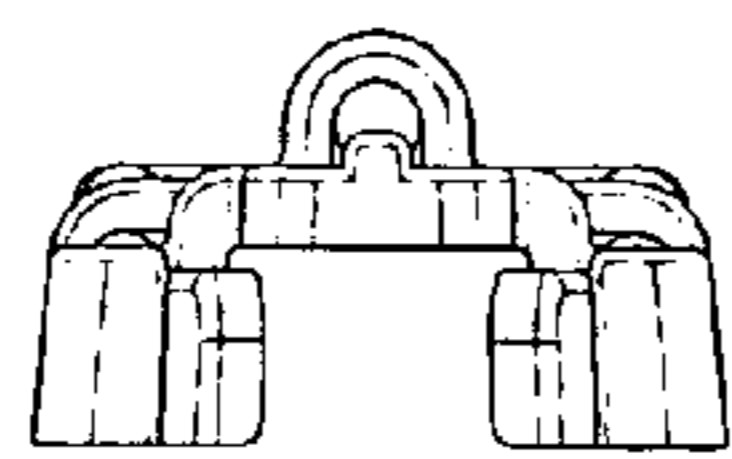


FIG. 6

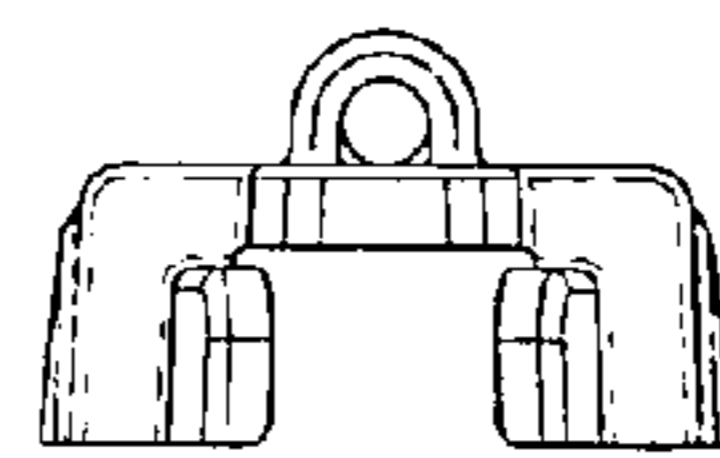


FIG. 7

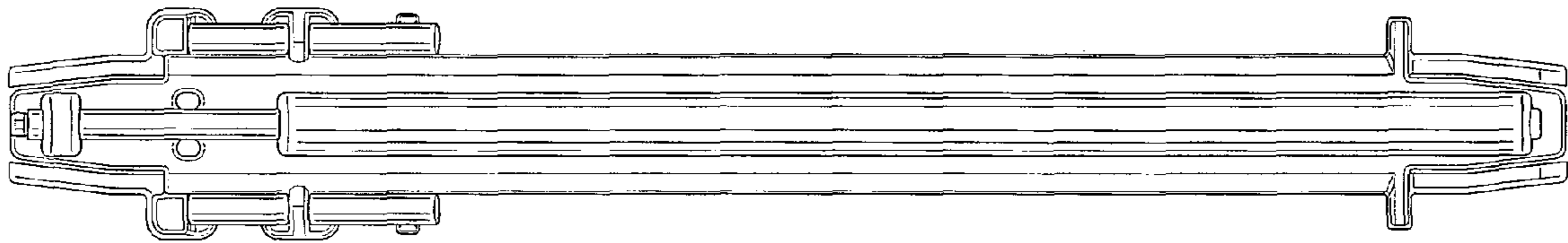


FIG. 8

