

US00D663004S

(12) **United States Design Patent**
Isringhausen

(10) **Patent No.:** **US D663,004 S**

(45) **Date of Patent:** **** Jul. 3, 2012**

(54) **ARROWHEAD**

(76) Inventor: **Kenneth A. Isringhausen**, Jerseyville,
IL (US)

(**) Term: **14 Years**

(21) Appl. No.: **29/388,062**

(22) Filed: **Mar. 23, 2011**

(51) **LOC (9) Cl.** **22-01**

(52) **U.S. Cl.** **D22/107; D22/115**

(58) **Field of Classification Search** D22/107,
D22/115; 473/582, 573; 403/349; 43/6
See application file for complete search history.

(56) **References Cited**

U.S. PATENT DOCUMENTS

2,888,264	A *	5/1959	Sharrar et al.	473/585
5,044,640	A *	9/1991	DelMonte et al.	473/584
5,064,202	A *	11/1991	Barner	473/583
5,494,298	A *	2/1996	Maleski	473/584
6,077,180	A *	6/2000	Adams, Jr.	473/584

6,863,630	B1 *	3/2005	Watkins et al.	473/583
8,043,178	B2 *	10/2011	Sames	473/583
2007/0037640	A1 *	2/2007	Rager	473/578

* cited by examiner

Primary Examiner — Michael Pratt

(74) *Attorney, Agent, or Firm* — Charles McCloskey

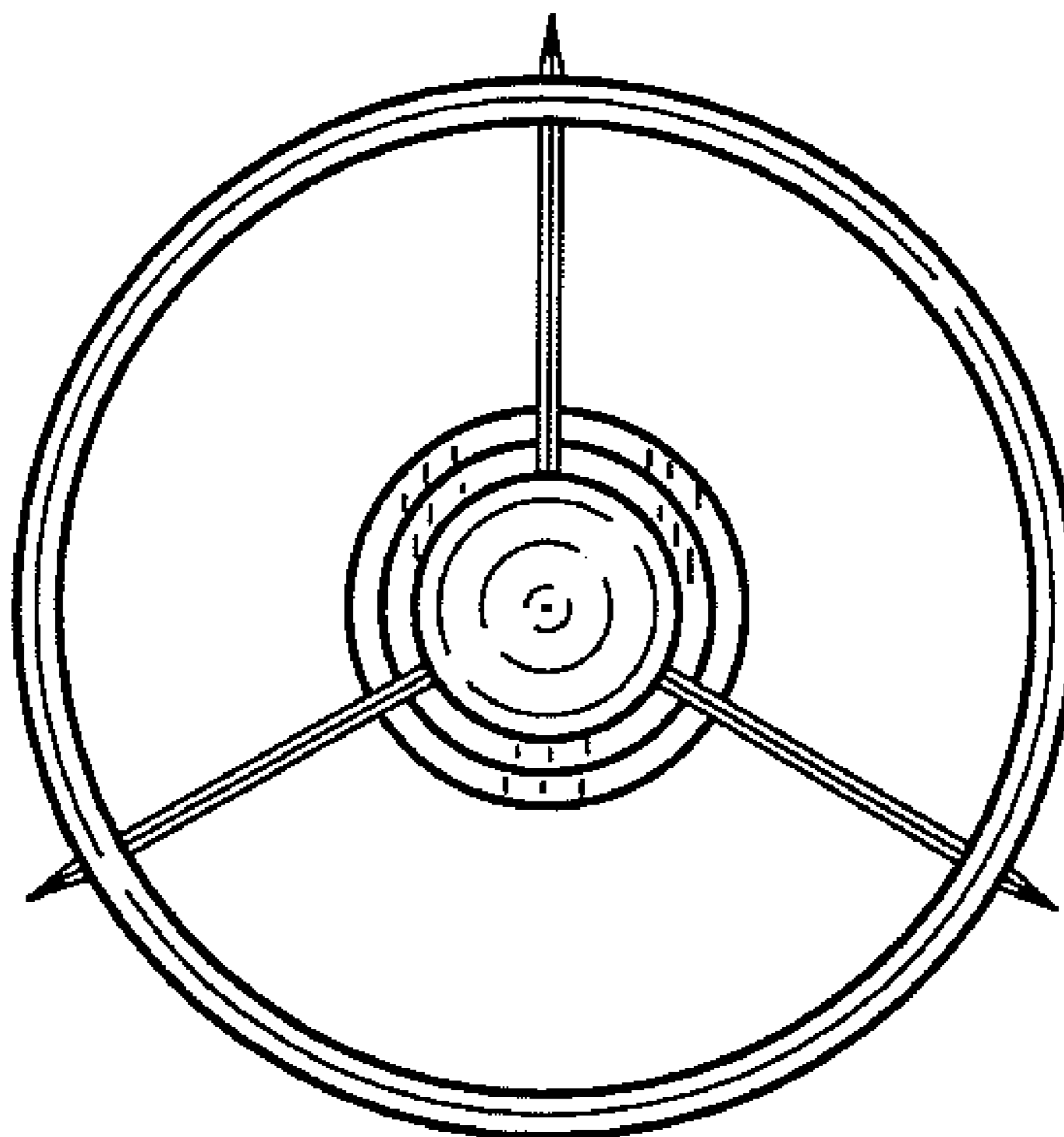
(57) **CLAIM**

The ornamental design for an arrowhead, as shown and described.

DESCRIPTION

FIG. 1 is a front view of the first embodiment;
FIG. 2 is a rear view of the first embodiment;
FIG. 3 is a side view of the first embodiment;
FIG. 4 is an opposite side of the first embodiment;
FIG. 5 is an isometric view of the first embodiment;
FIG. 6 is a front view of the second embodiment;
FIG. 7 is a rear view of the second embodiment;
FIG. 8 is a side view of the second embodiment; and,
FIG. 9 is an isometric view of the second embodiment.
The broken line showing of portions of the Arrowhead is included for the purpose of illustrating environment and forms no part of the claimed design.

1 Claim, 2 Drawing Sheets



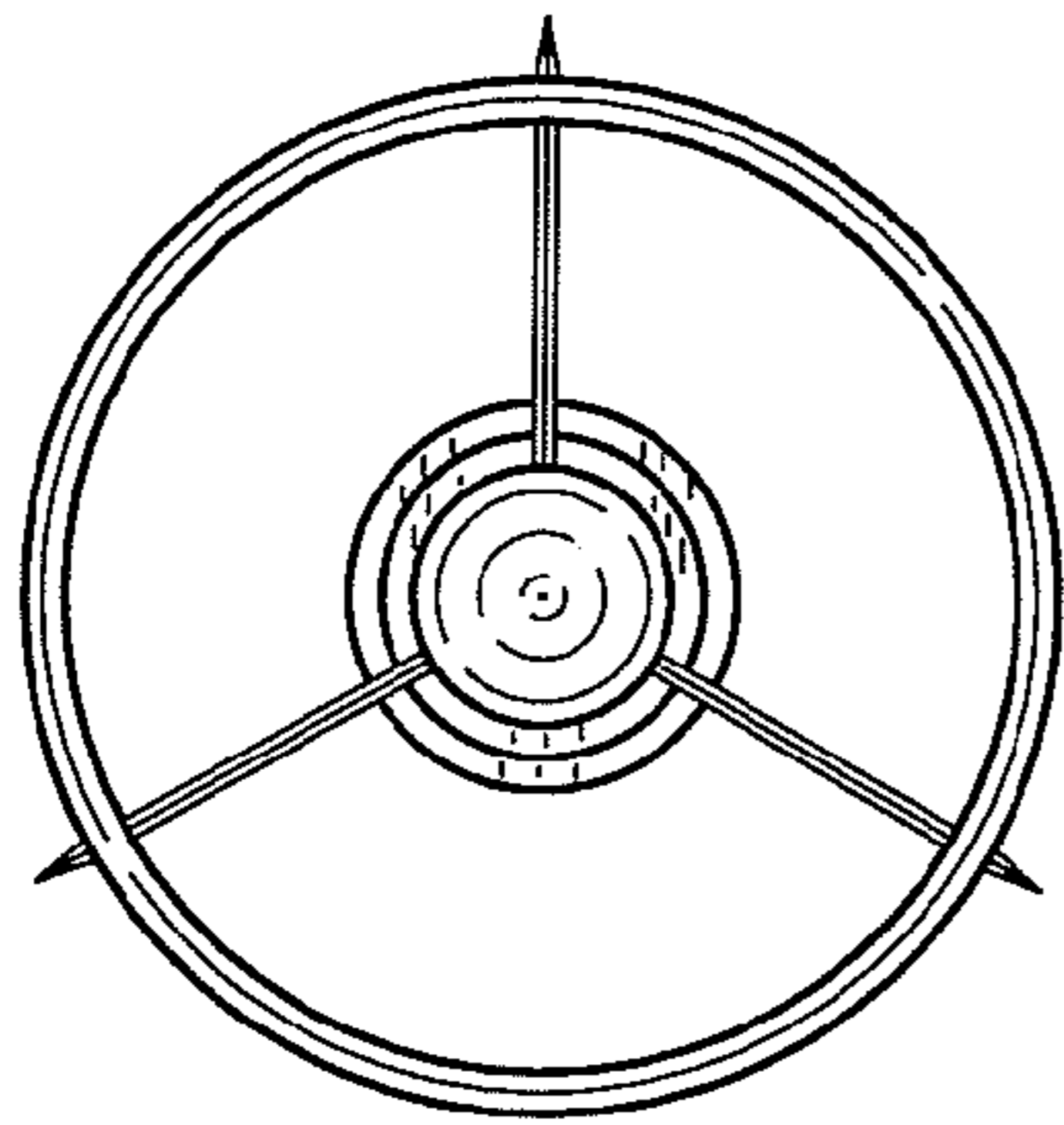


FIG. 1

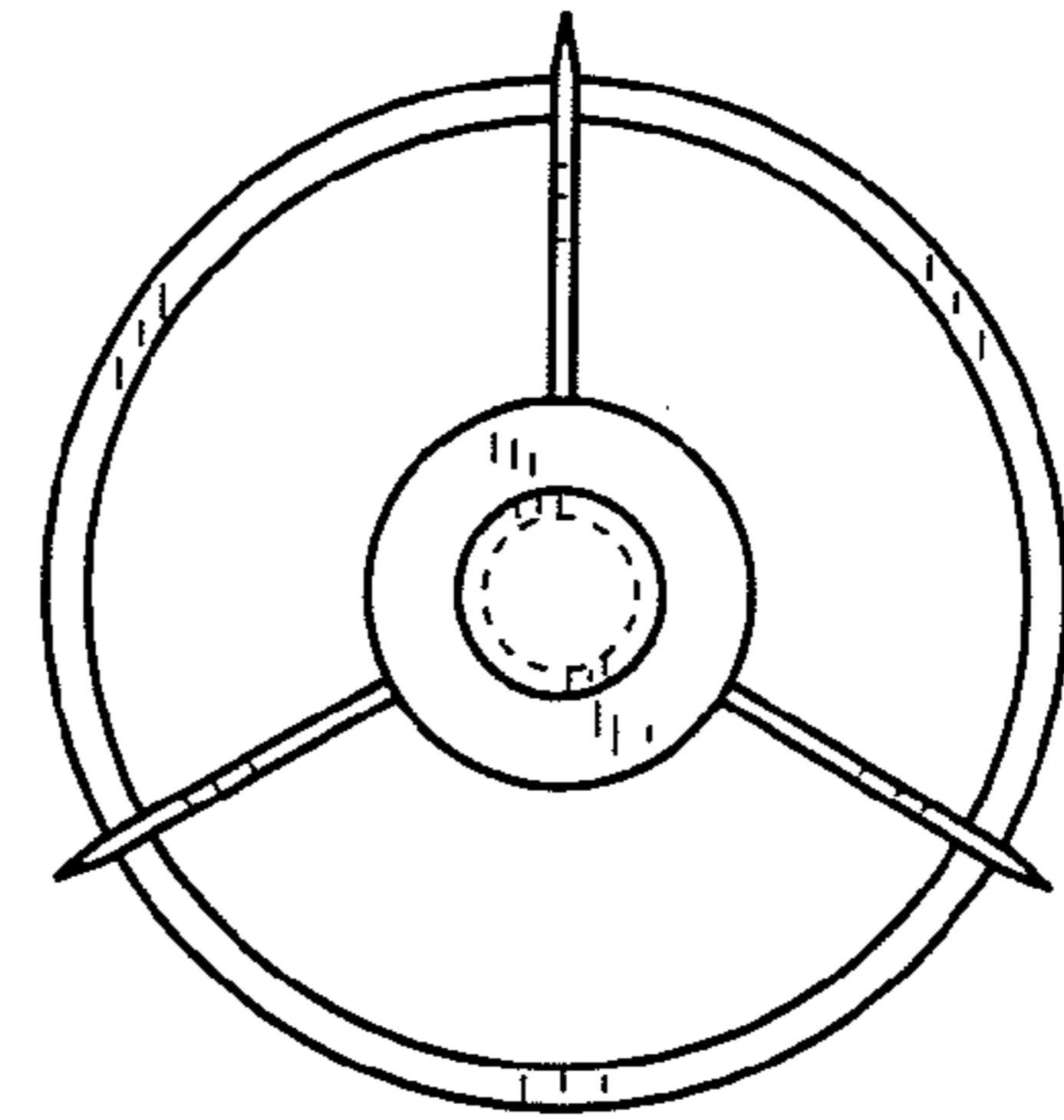


FIG. 2

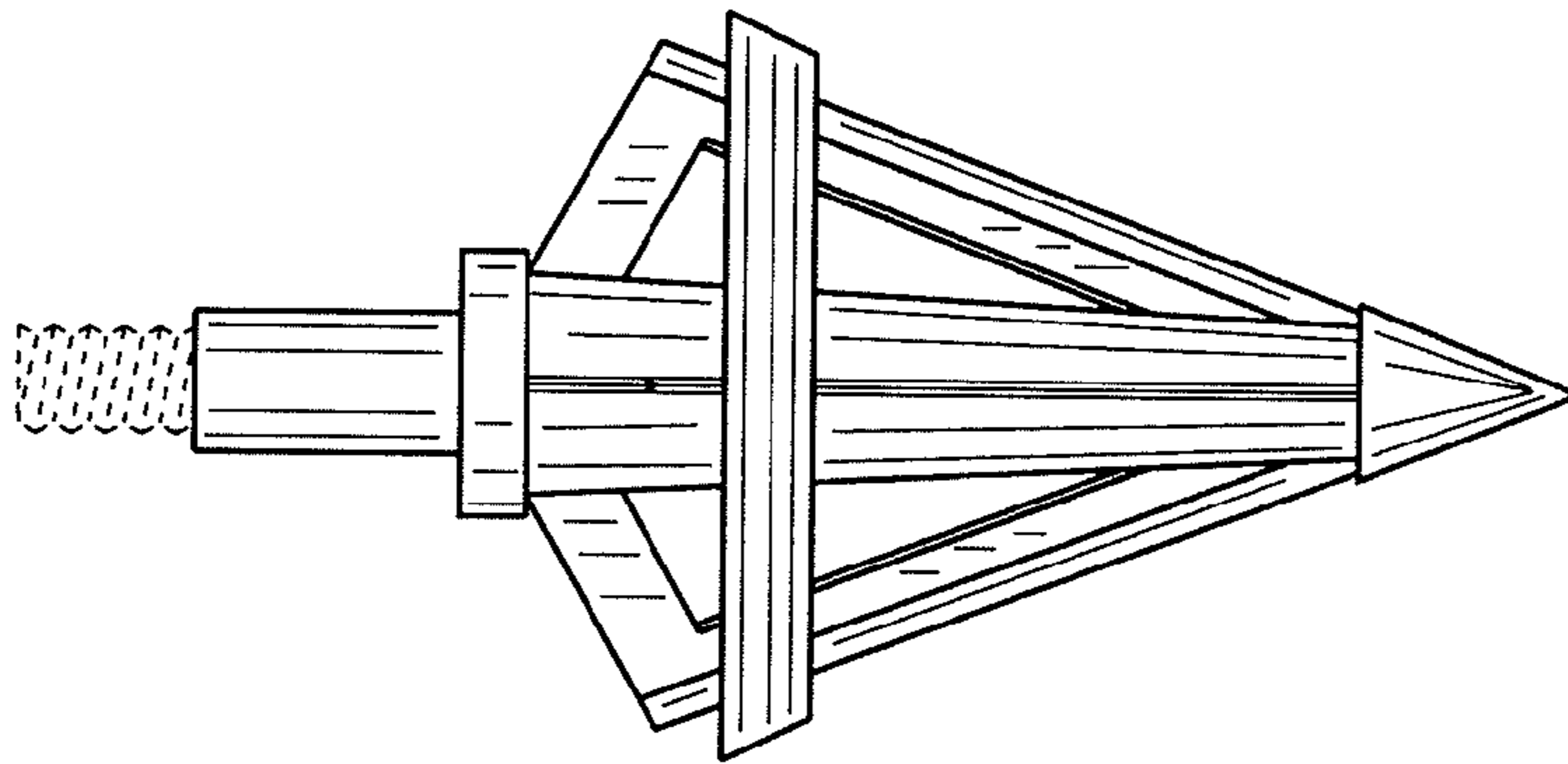


FIG. 3

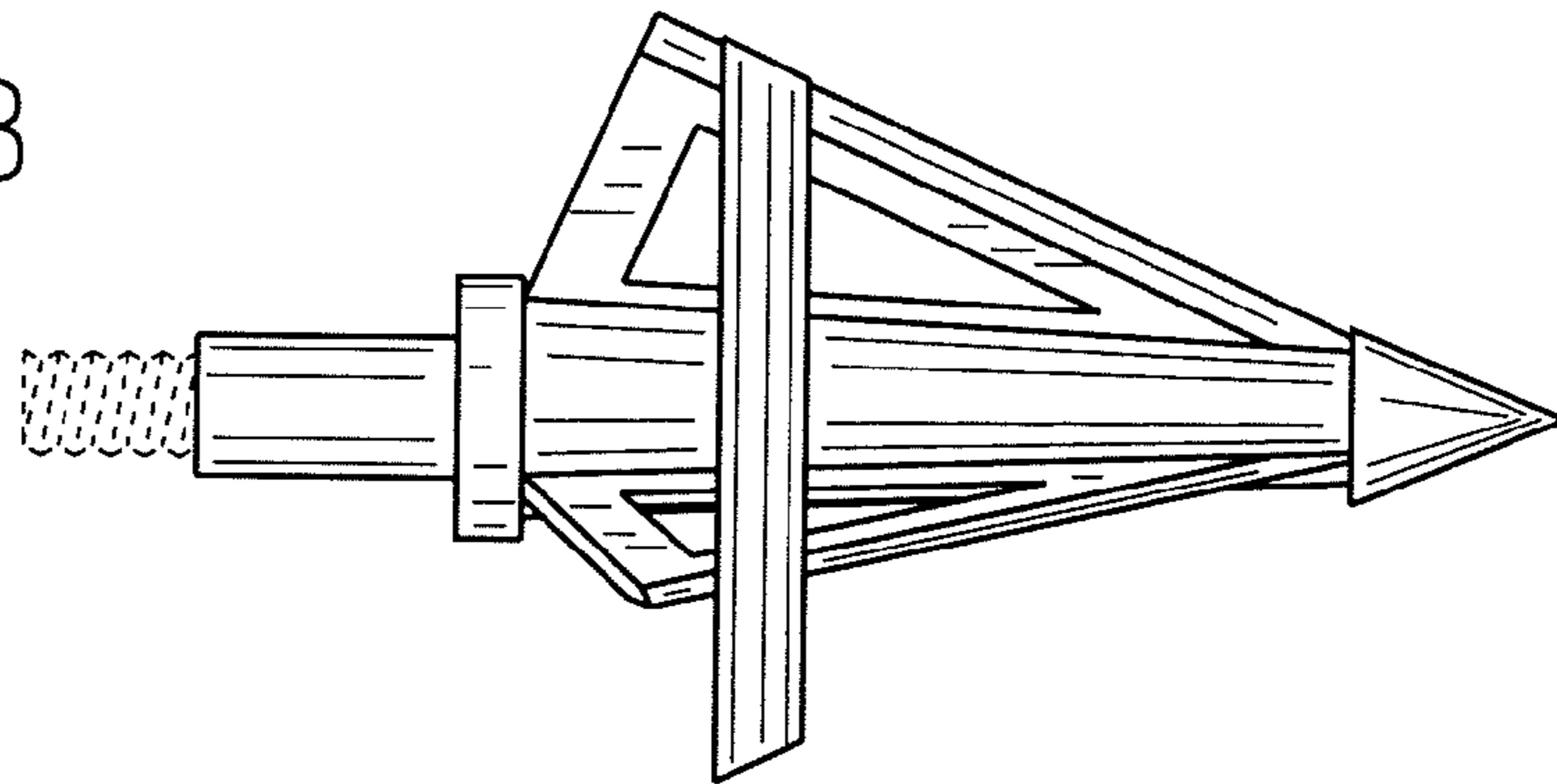


FIG. 4

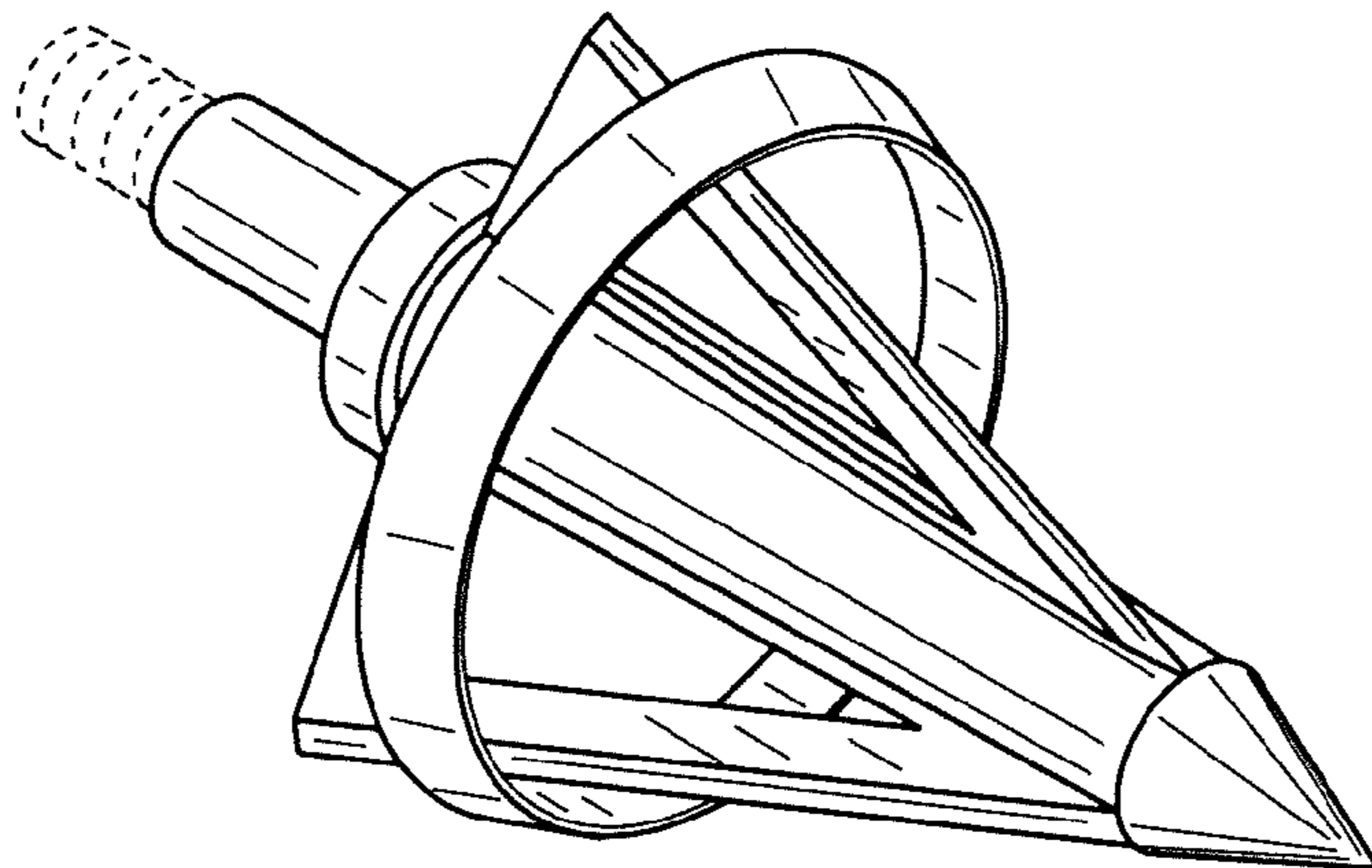


FIG. 5

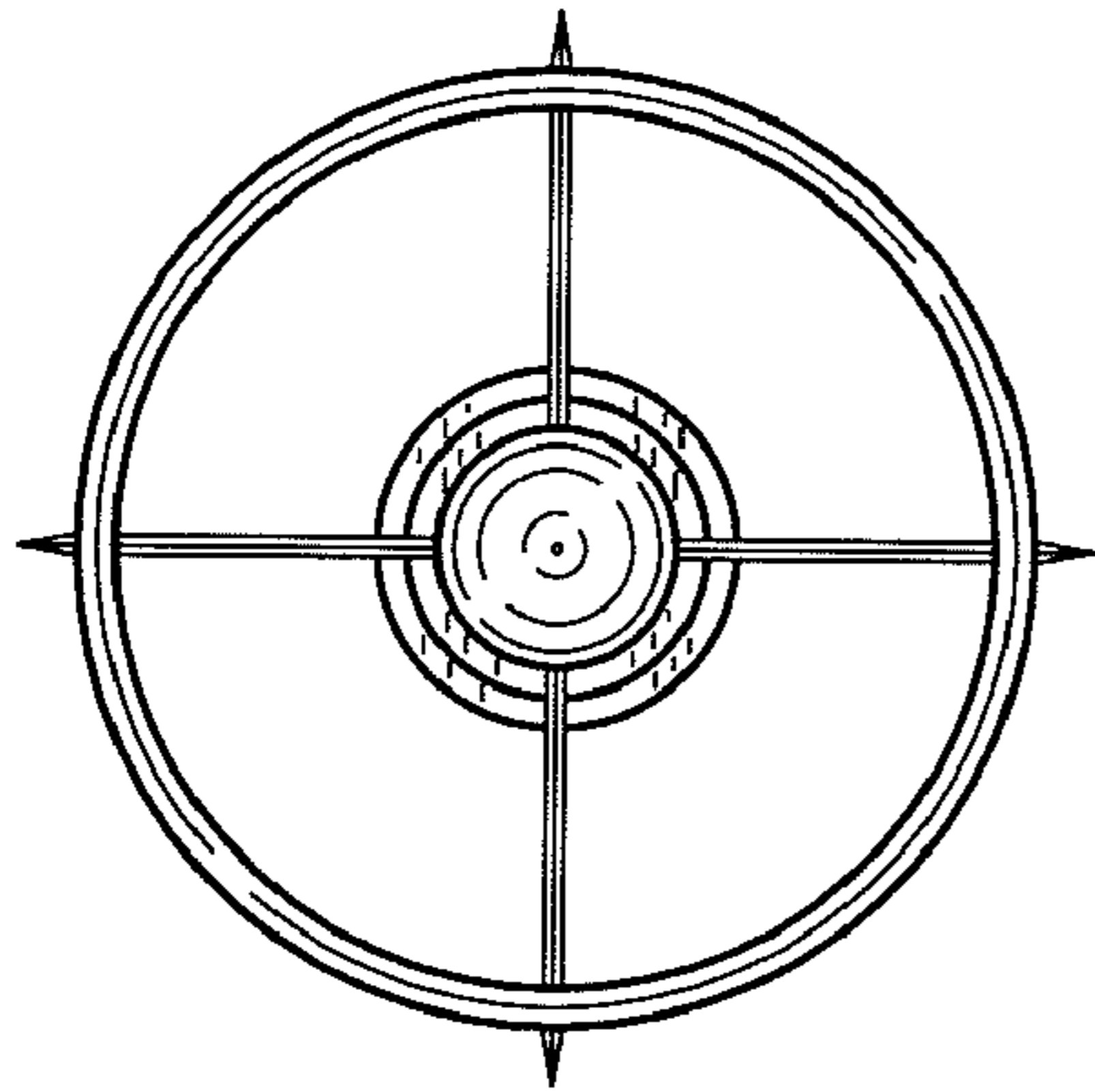


FIG. 6

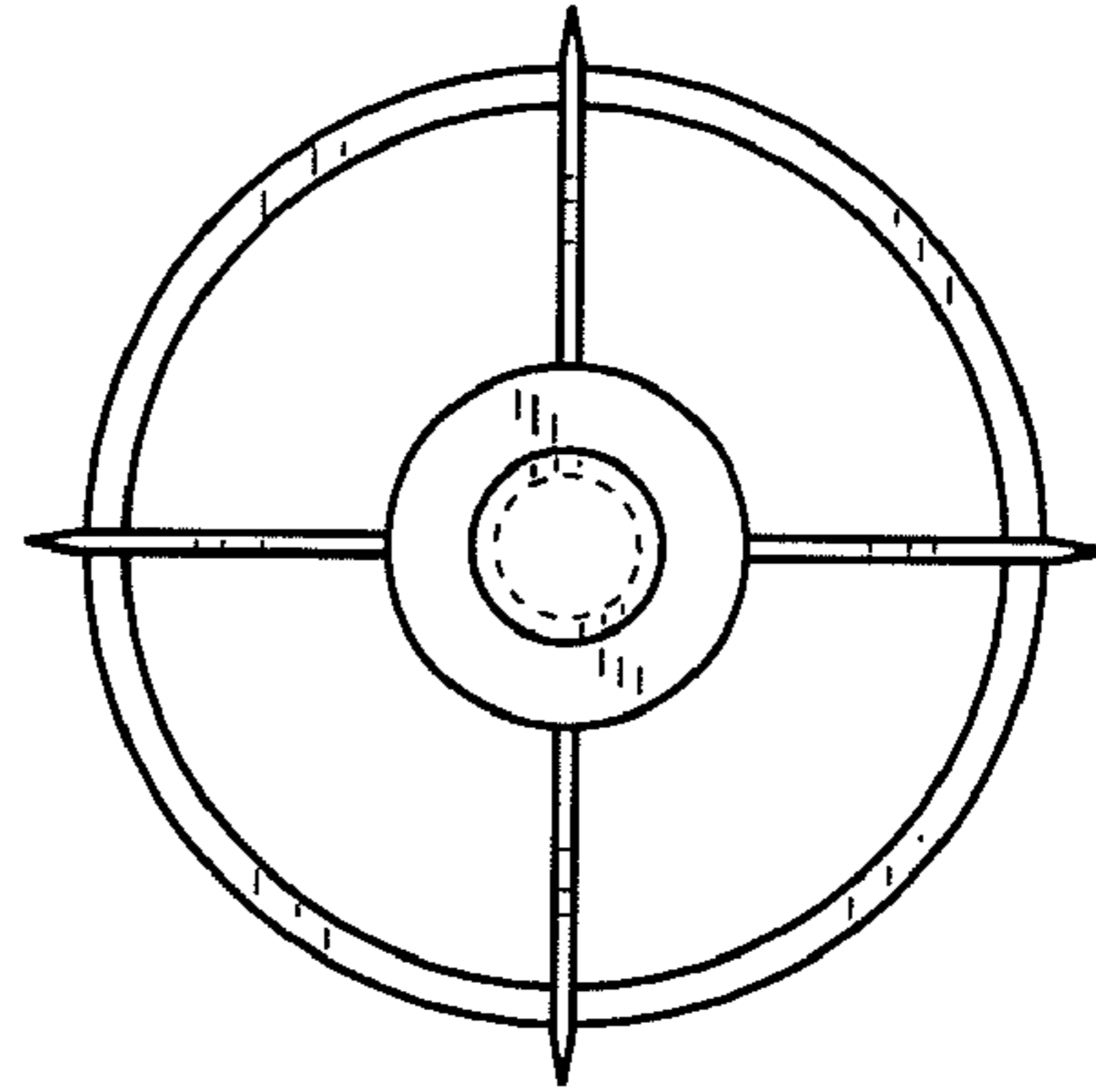


FIG. 7

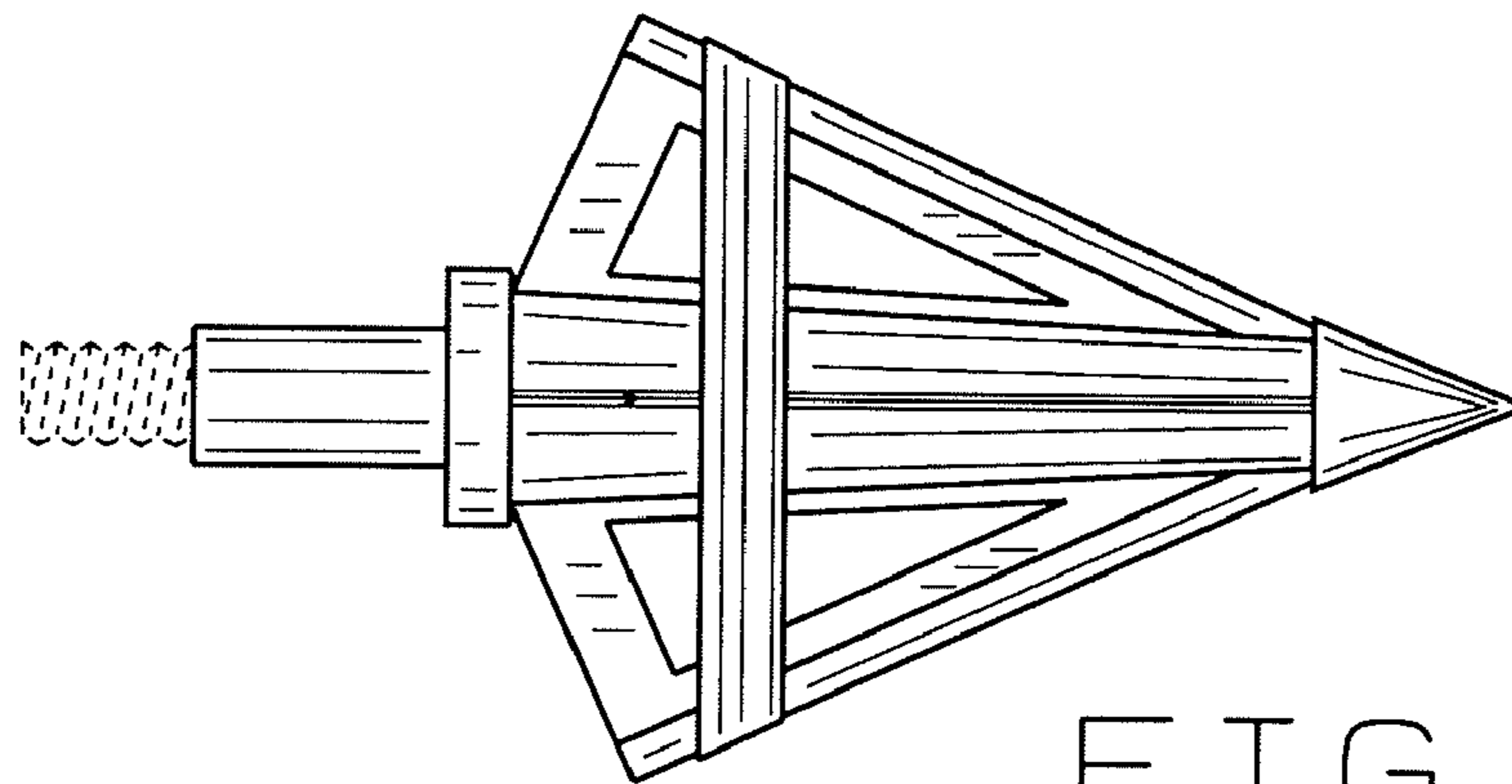


FIG. 8

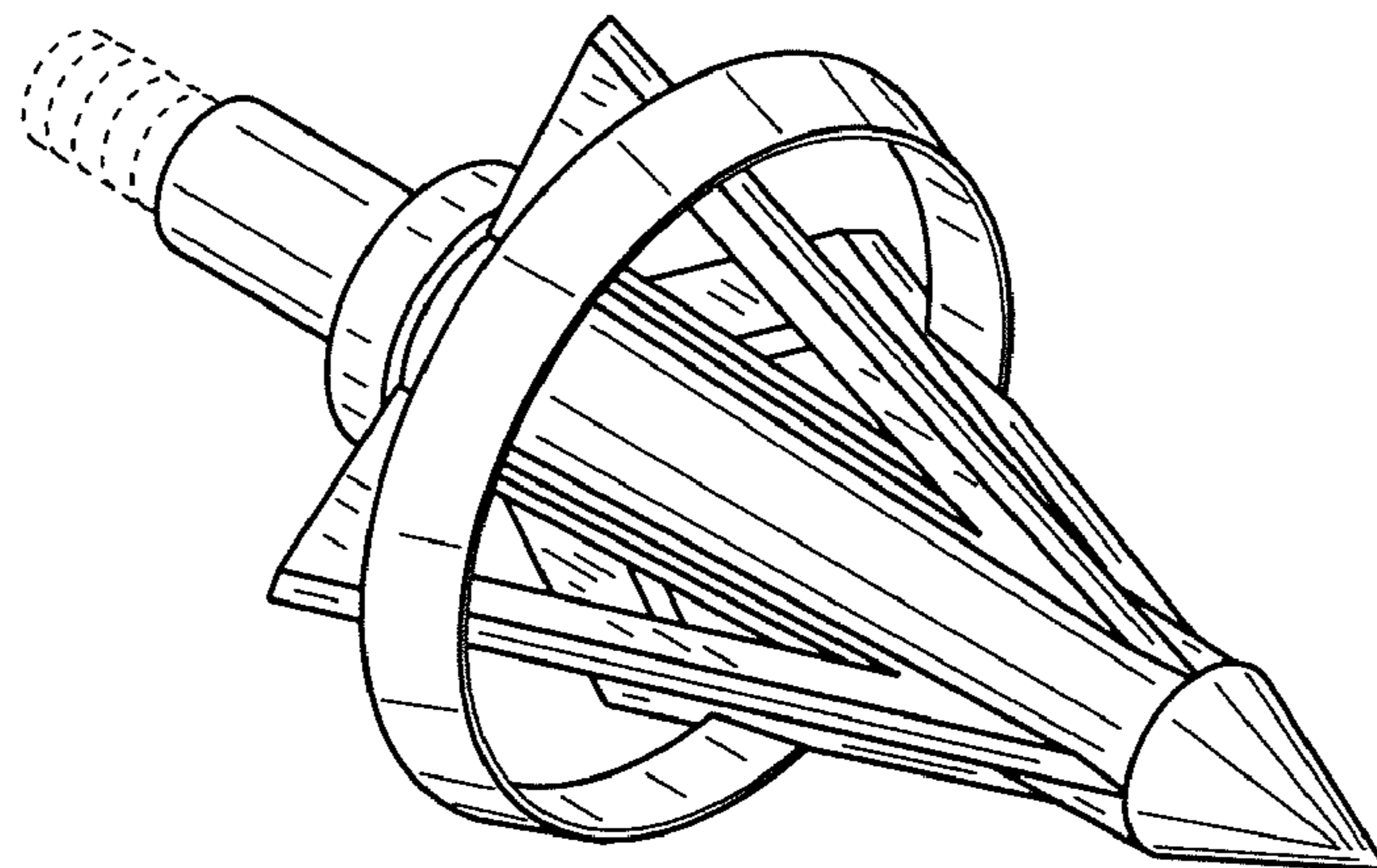


FIG. 9