



US00D663003S

(12) **United States Design Patent**  
**Barbis**

(10) **Patent No.:** **US D663,003 S**  
(45) **Date of Patent:** **\*\* Jul. 3, 2012**

(54) **ANIMAL FLOTATION VEST WITH SHARK  
FIN DECORATION**

D422,665 S 4/2000 Steger  
D428,956 S 8/2000 Harwell, IV  
D433,090 S 10/2000 Harwell, IV et al.  
6,309,270 B1 10/2001 Harwell, IV et al.

(75) Inventor: **Richard A. Barbis**, Eugene, OR (US)

(Continued)

(73) Assignee: **Swimways Corporation**, Virginia  
Beach, VA (US)

**OTHER PUBLICATIONS**

(\*\*) Term: **14 Years**

Co-pending U.S. Appl. No. 12/584,964, entitled "Life Vest With  
Rescue Handle"; 13 pages.

(21) Appl. No.: **29/396,224**

(Continued)

(22) Filed: **Jun. 27, 2011**

*Primary Examiner* — Zenia Bennett

(51) **LOC (9) Cl.** ..... **21-06**

(57) **CLAIM**

(52) **U.S. Cl.** ..... **D21/805; D30/199**

I claim the ornamental design for an animal flotation vest with  
shark fin decoration, as shown and described.

(58) **Field of Classification Search** ..... D21/804,  
D21/805; D24/100, 101.1, 101.4; 2/456,  
2/458, 467, 463; 441/88, 89, 106, 108, 111,  
441/114–117

**DESCRIPTION**

See application file for complete search history.

FIG. 1 shows a general perspective view of the flotation vest with  
shark fin decoration. Side and chest straps and buckles  
are rendered in dashed lines; they form no part of the inven-  
tion. Piping or edge binding at the edges of the vest is repre-  
sented by stippled bands at the edges. Dashed lines in these  
stippled bands represent stitching of said binding.

(56) **References Cited**

**U.S. PATENT DOCUMENTS**

D26,956 S	4/1897	Samuel	
2,377,865 A	6/1945	Coombs	
D149,579 S	5/1948	Messing	
2,935,751 A	5/1960	Emmick et al.	
D211,217 S	5/1968	Bales	
D234,793 S	4/1975	O'Link	
D244,958 S	7/1977	Bleser	
4,035,856 A	7/1977	Oberg	
D245,532 S	8/1977	Taylor	
D280,845 S	10/1985	Evert	
D290,922 S	7/1987	Herrera	
D292,015 S	9/1987	McWaters	
4,863,409 A	9/1989	Johnson et al.	
5,015,208 A	5/1991	Fox et al.	
5,055,075 A	10/1991	Waller, Jr.	
D357,297 S	4/1995	Newton	
5,632,235 A *	5/1997	Larsen et al.	119/856
5,671,480 A	9/1997	Krout et al.	
5,766,114 A	6/1998	Campbell	
5,855,497 A	1/1999	French	

FIG. 2 is a left-side view of the flotation vest with shark fin  
decoration.

FIG. 3 is a front view of the flotation vest with shark fin  
decoration.

FIG. 4 is a right-side view of the flotation vest with shark fin  
decoration.

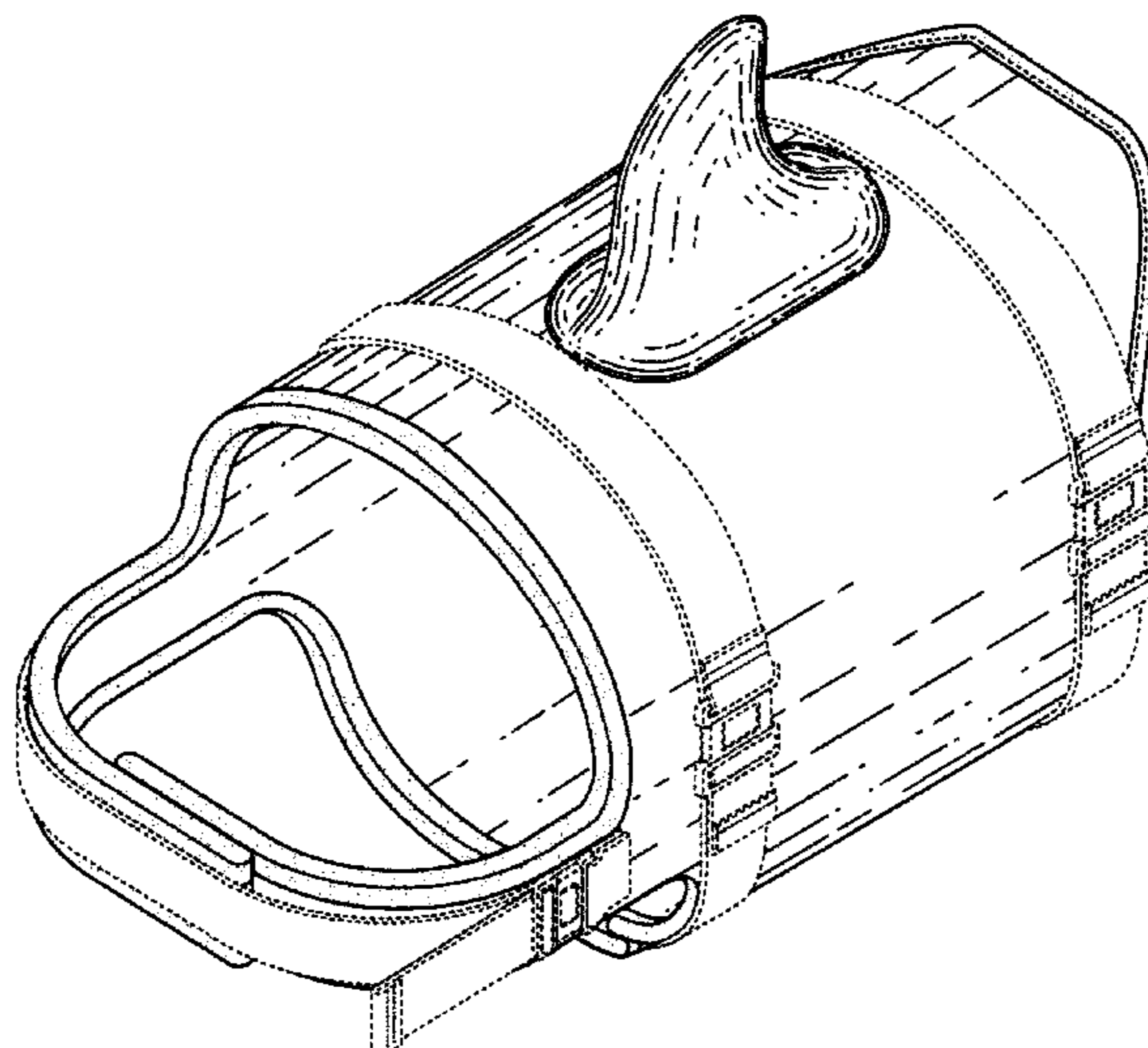
FIG. 5 is a rear view of the floatation vest with shark fin  
decoration.

FIG. 6 is a top view of the floatation vest with shark fin  
decoration; and,

FIG. 7 is a bottom view of the floatation vest. The shark fin  
decoration is not visible in this view.

The broken lines on the piping or edge binding at the edges of  
the vest represent stitching; they form no part of the invention.

**1 Claim, 7 Drawing Sheets**



# US D663,003 S

Page 2

## U.S. PATENT DOCUMENTS

6,375,530 B1 4/2002 Earl  
D461,871 S 8/2002 Flowers  
6,524,145 B1 2/2003 Arzate  
6,582,267 B1 6/2003 Steger  
6,659,824 B1 \* 12/2003 McCormick ..... 441/88  
D494,652 S 8/2004 Otto  
D497,965 S 11/2004 Barbis  
D507,084 S \* 7/2005 Sabeh-Azar ..... D30/199  
D510,160 S \* 9/2005 Rominger ..... D30/199  
7,331,836 B1 2/2008 Harris  
D576,243 S 9/2008 Moseley  
7,559,817 B2 \* 7/2009 Von Zell ..... 441/123  
D604,788 S 11/2009 Barbis et al.  
D606,151 S 12/2009 Barbis et al.  
D606,152 S 12/2009 Barbis et al.  
D622,800 S 8/2010 Barbis

D622,801 S 8/2010 Barbis  
D638,083 S 5/2011 Barbis  
D638,084 S 5/2011 Barbis  
D638,085 S \* 5/2011 Barbis ..... D21/805  
D650,033 S \* 12/2011 Barbis ..... D21/805  
2008/0258527 A1 10/2008 Gower et al.

## OTHER PUBLICATIONS

Co-pending U.S. Appl. No. 29/373,200, entitled "Dolphin/Shark Hook Fin on Swim Vest"; 2 pages.

Co-pending U.S. Appl. No. 29/374,757, entitled "Life Jacket With Fin and Headrest"; 5 pages.

Co-pending U.S. Appl. No. 13/135,383, entitled "Foldable Flotation Device"; 18 pages.

\* cited by examiner

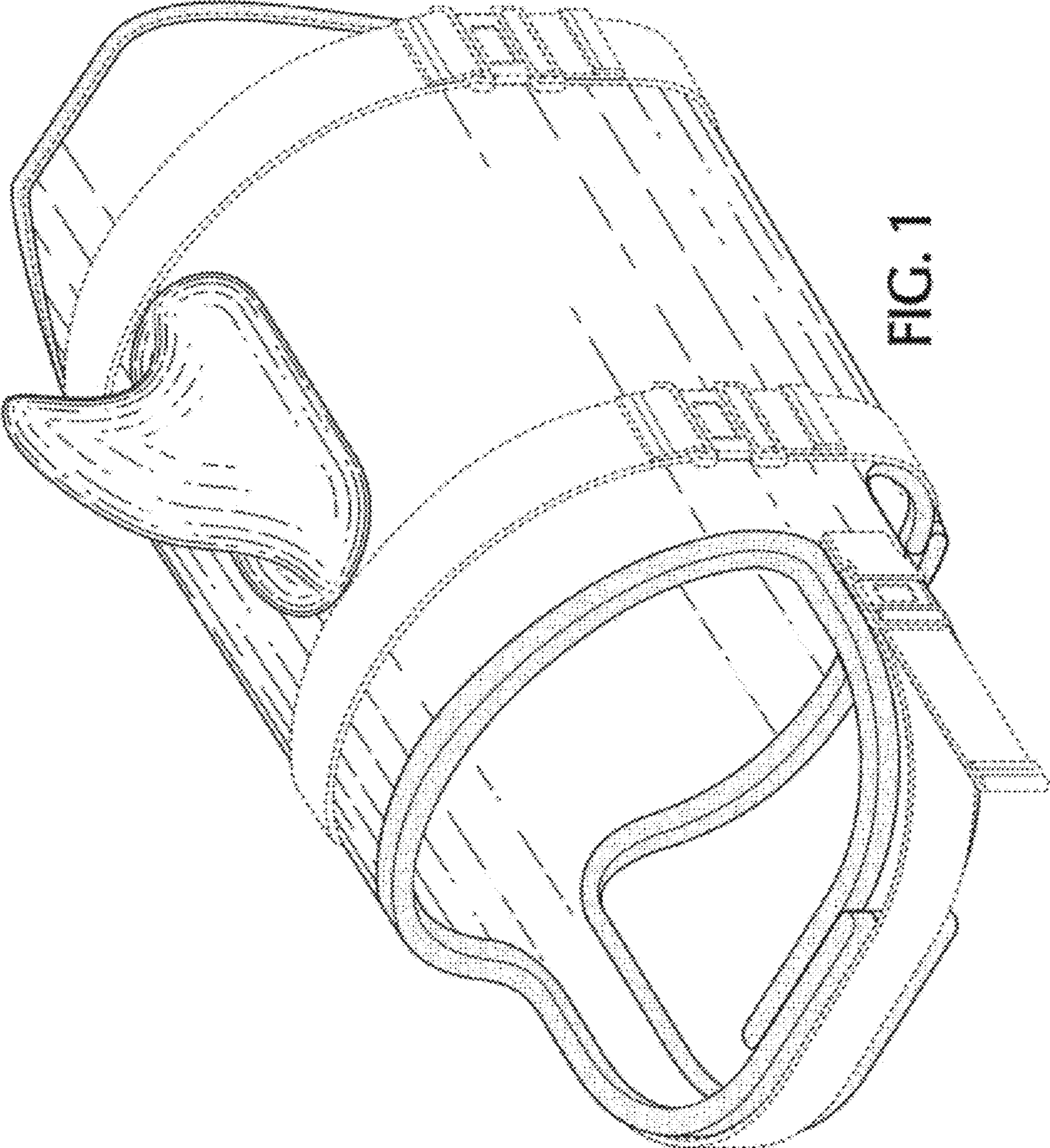


FIG. 1

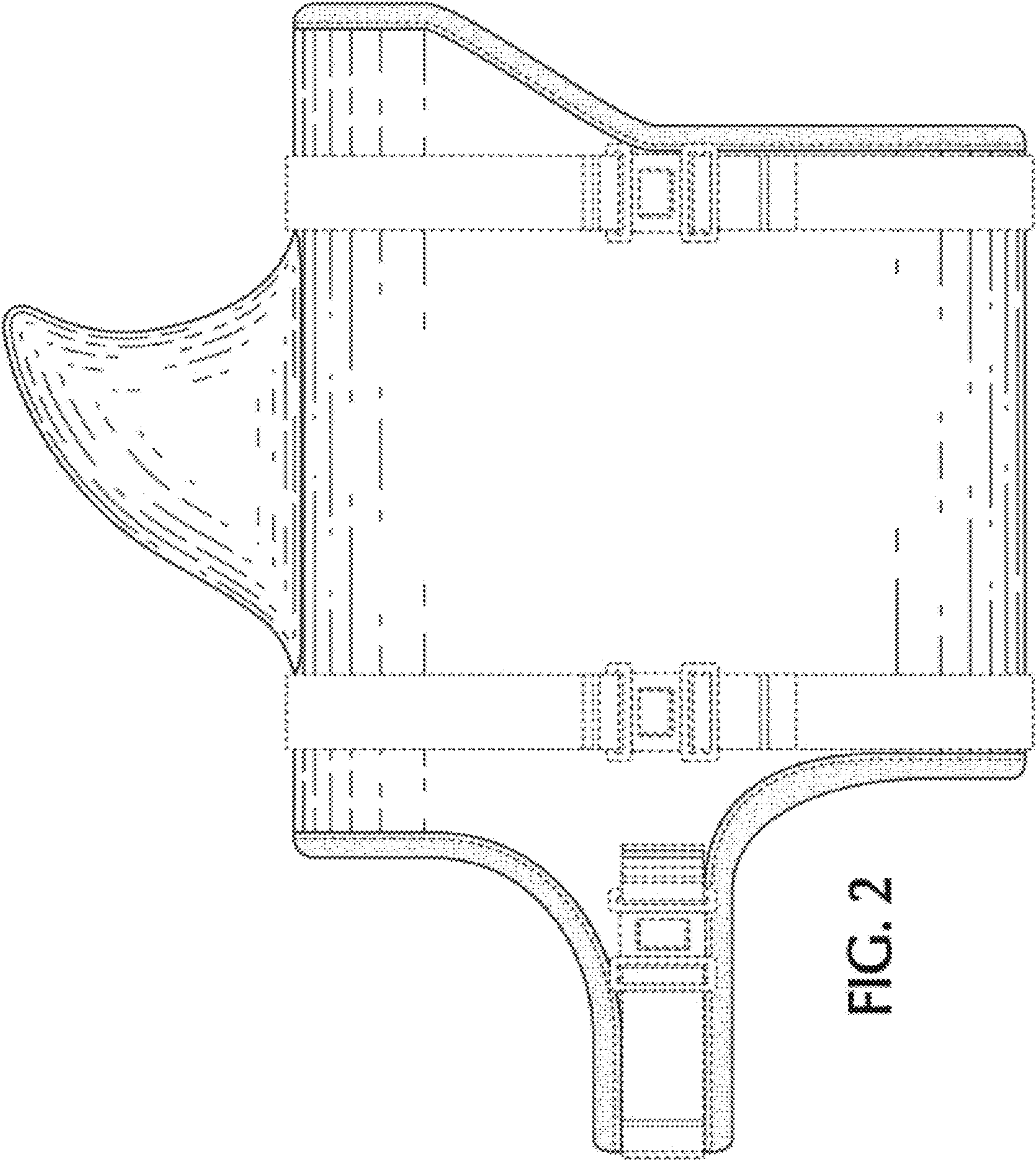


FIG. 2

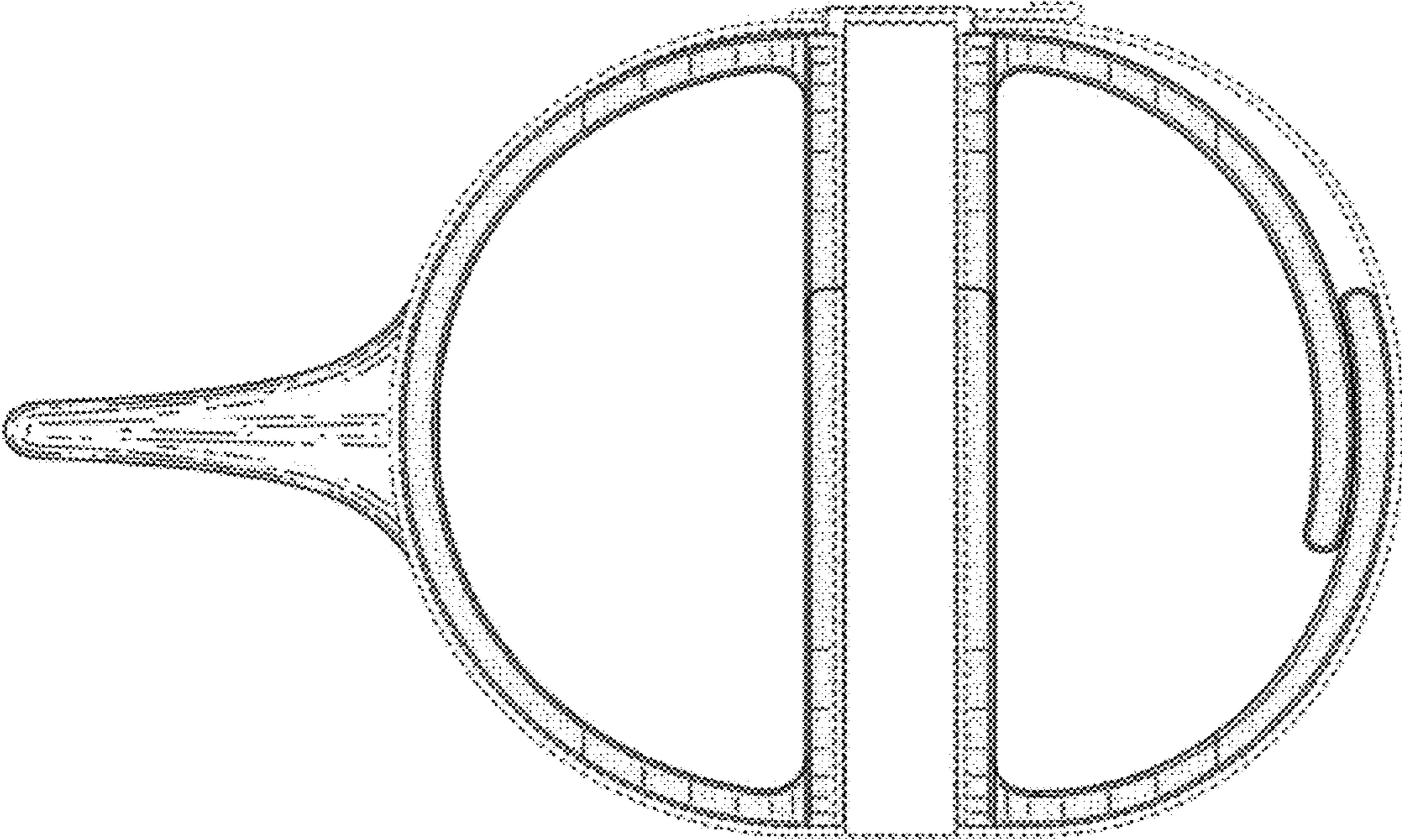


FIG. 3

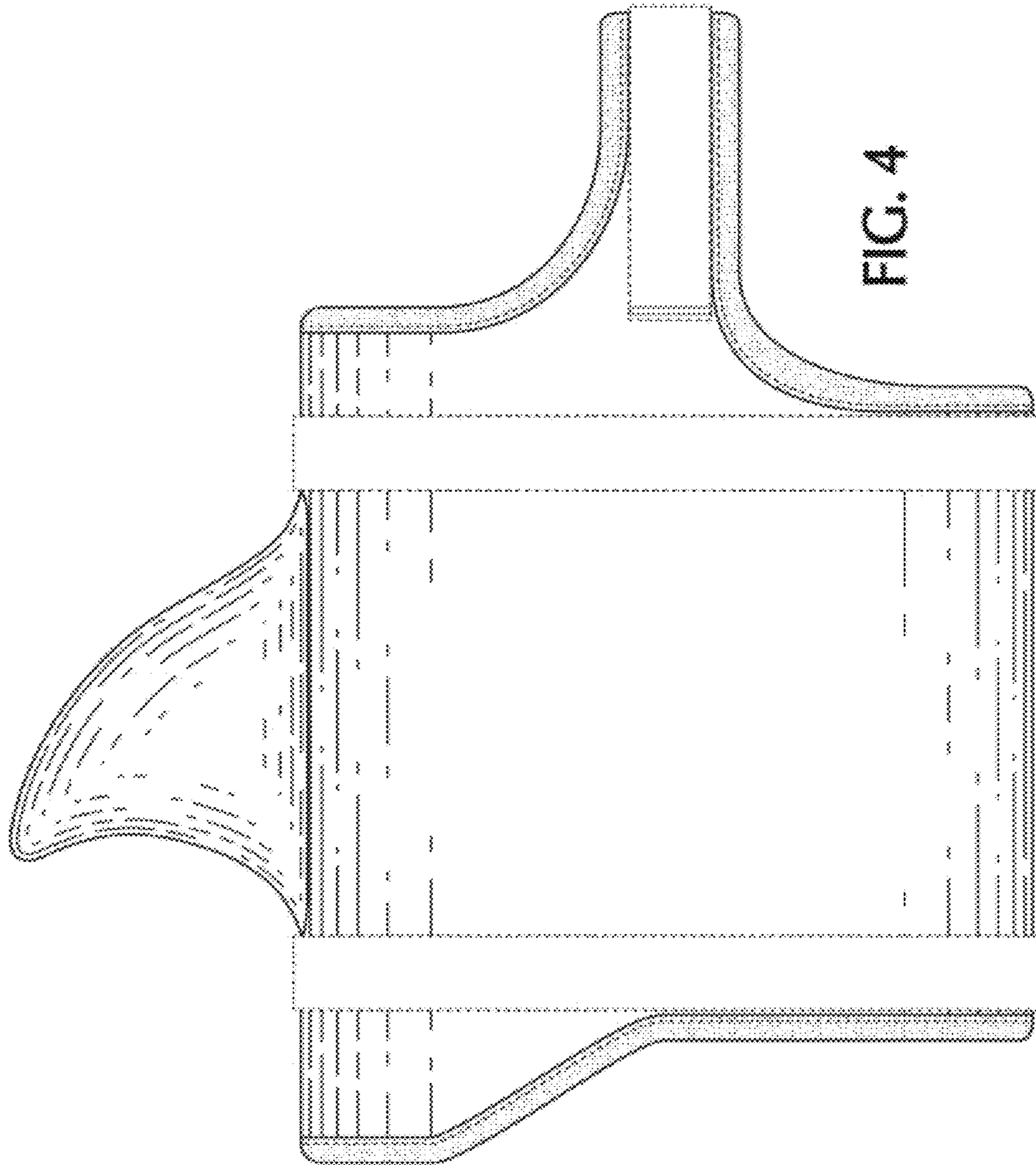


FIG. 4

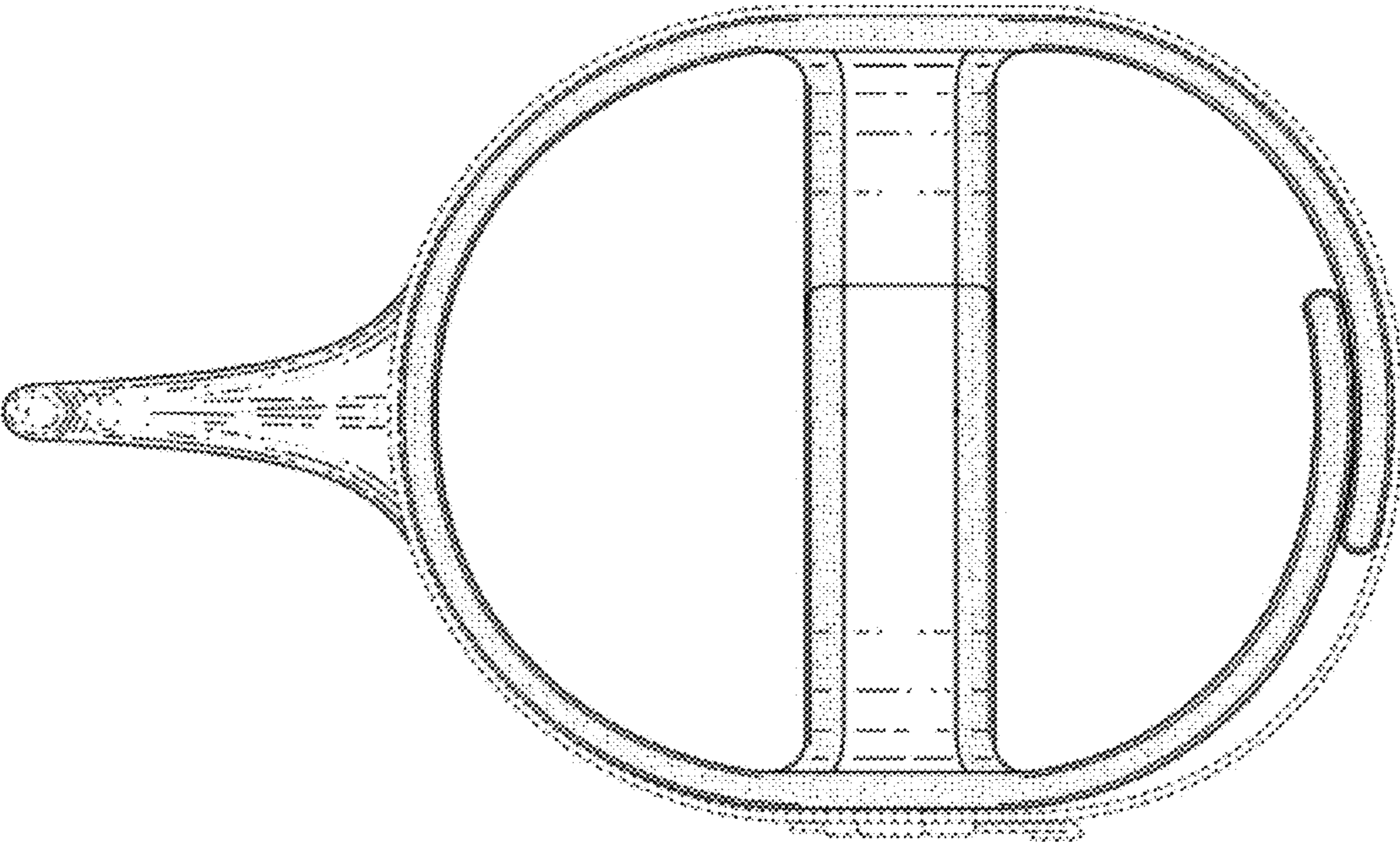


FIG. 5

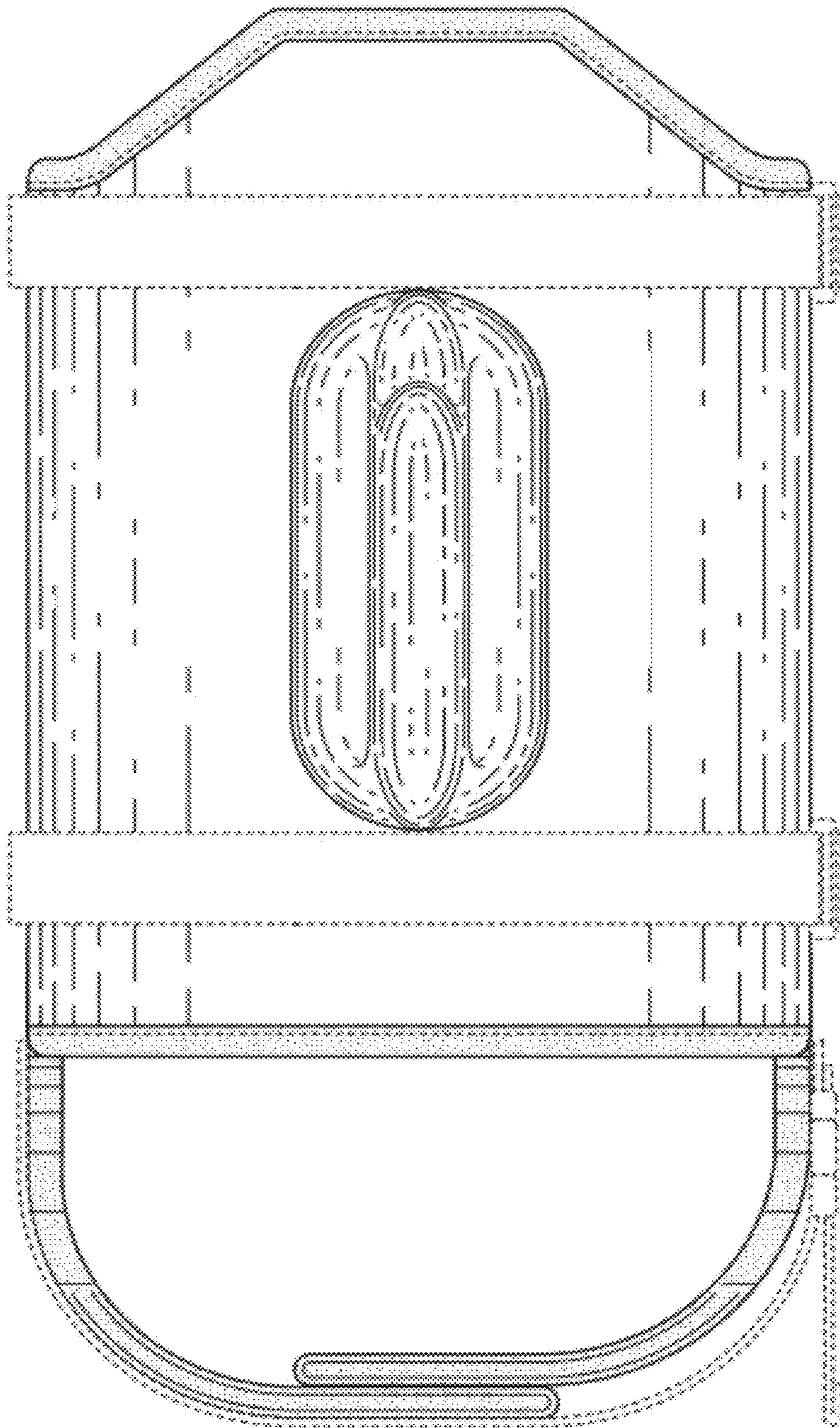


FIG. 6



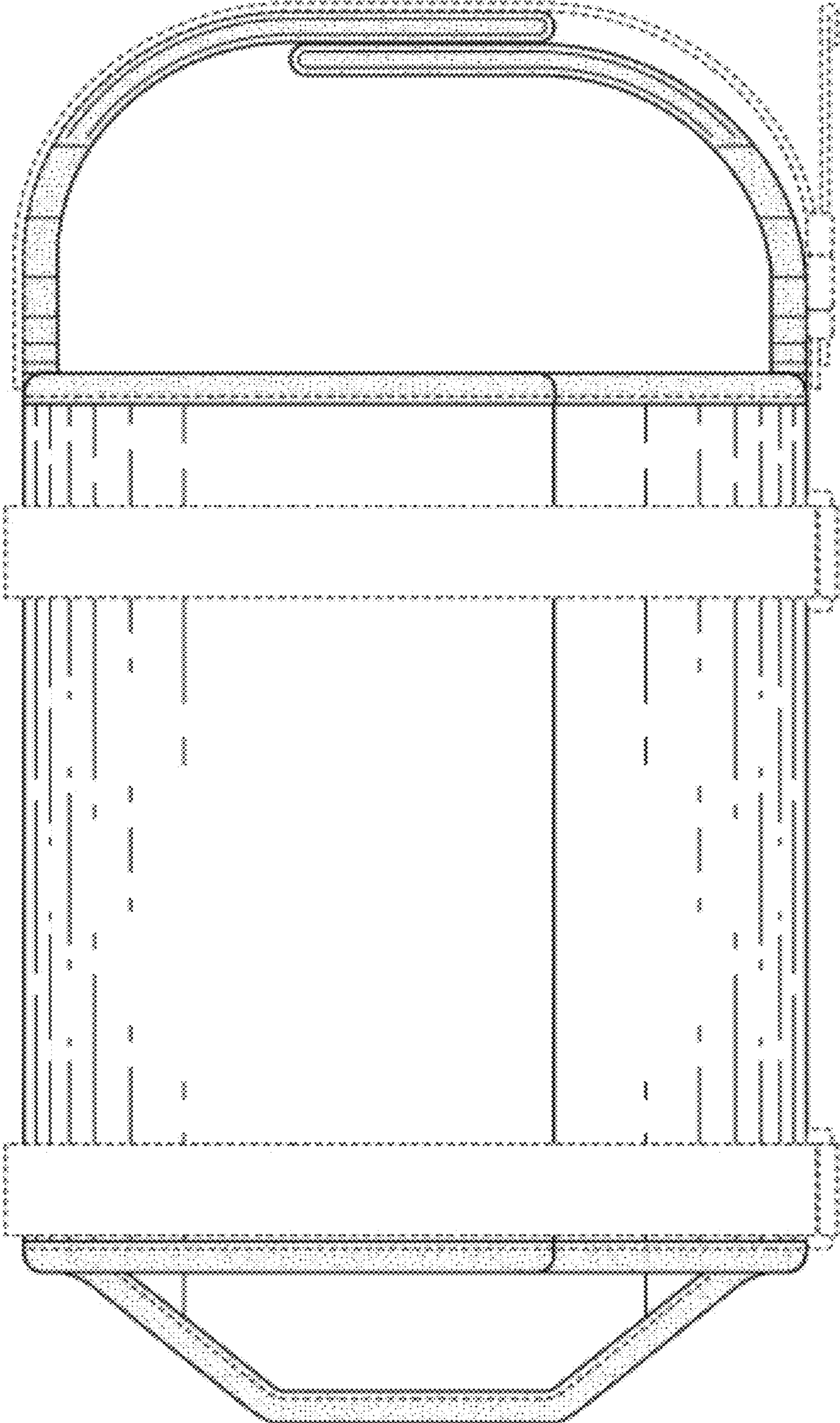


FIG. 7