



(12) **United States Design Patent**  
**Trotter**

(10) **Patent No.:** **US D663,000 S**  
(45) **Date of Patent:** **\*\* Jul. 3, 2012**

(54) **SURF BOARD FIN INSERT**

(76) Inventor: **Gregory John Trotter**, North Gosford (AU)

(\*\*) Term: **14 Years**

(21) Appl. No.: **29/394,901**

(22) Filed: **Jun. 22, 2011**

(51) **LOC (9) Cl.** ..... **21-02**

(52) **U.S. Cl.** ..... **D21/771**

(58) **Field of Classification Search** ..... D21/769-771, D21/801, 803-807, 810; 441/55, 56, 58, 441/60, 61-66, 68, 69, 72-75, 79  
See application file for complete search history.

(56) **References Cited**

U.S. PATENT DOCUMENTS

6,752,674 B2\* 6/2004 Jolly ..... 441/79  
(Continued)

*Primary Examiner* — Zenia Bennett

(74) *Attorney, Agent, or Firm* — Kilpatrick Townsend & Stockton LLP

(57) **CLAIM**

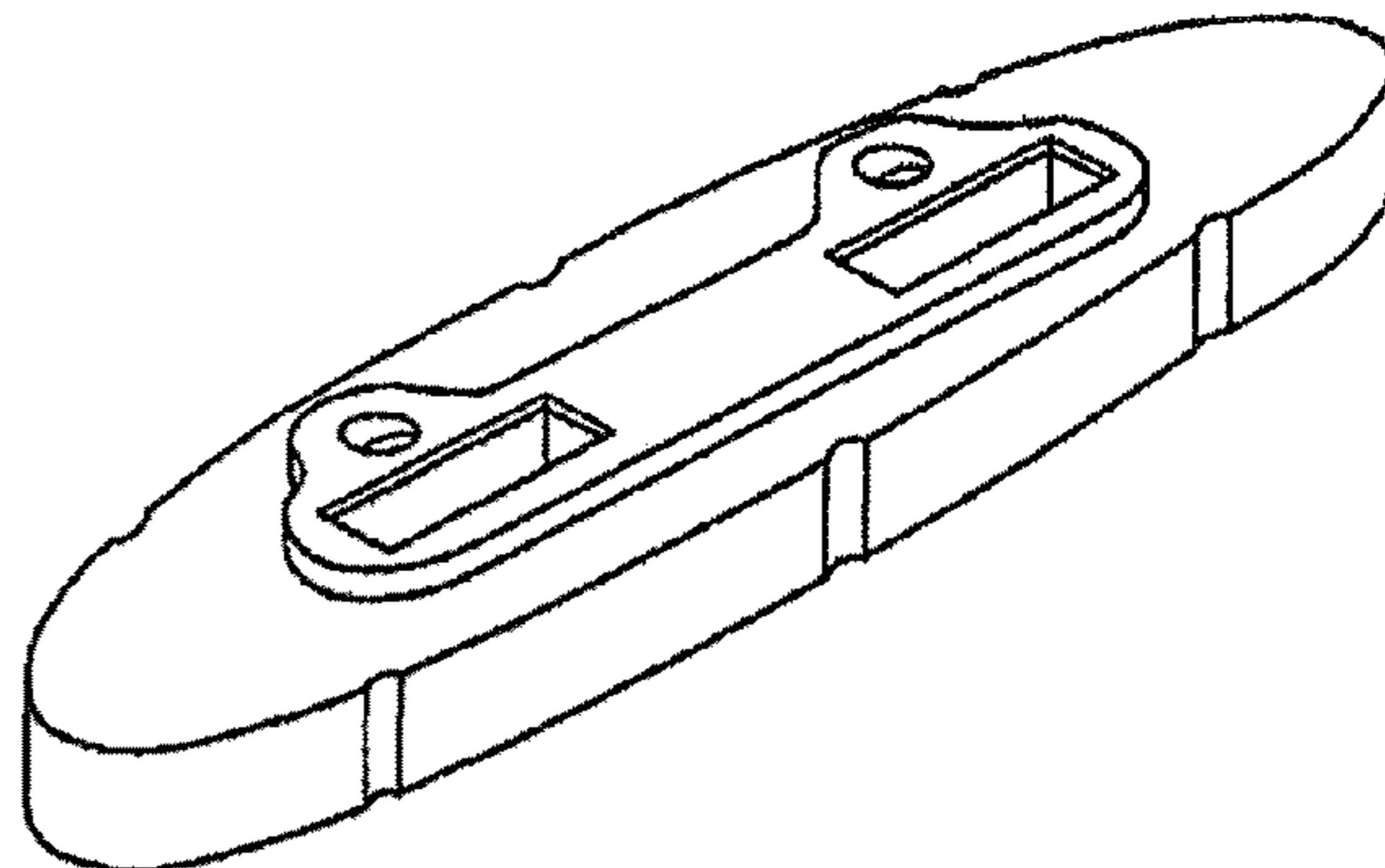
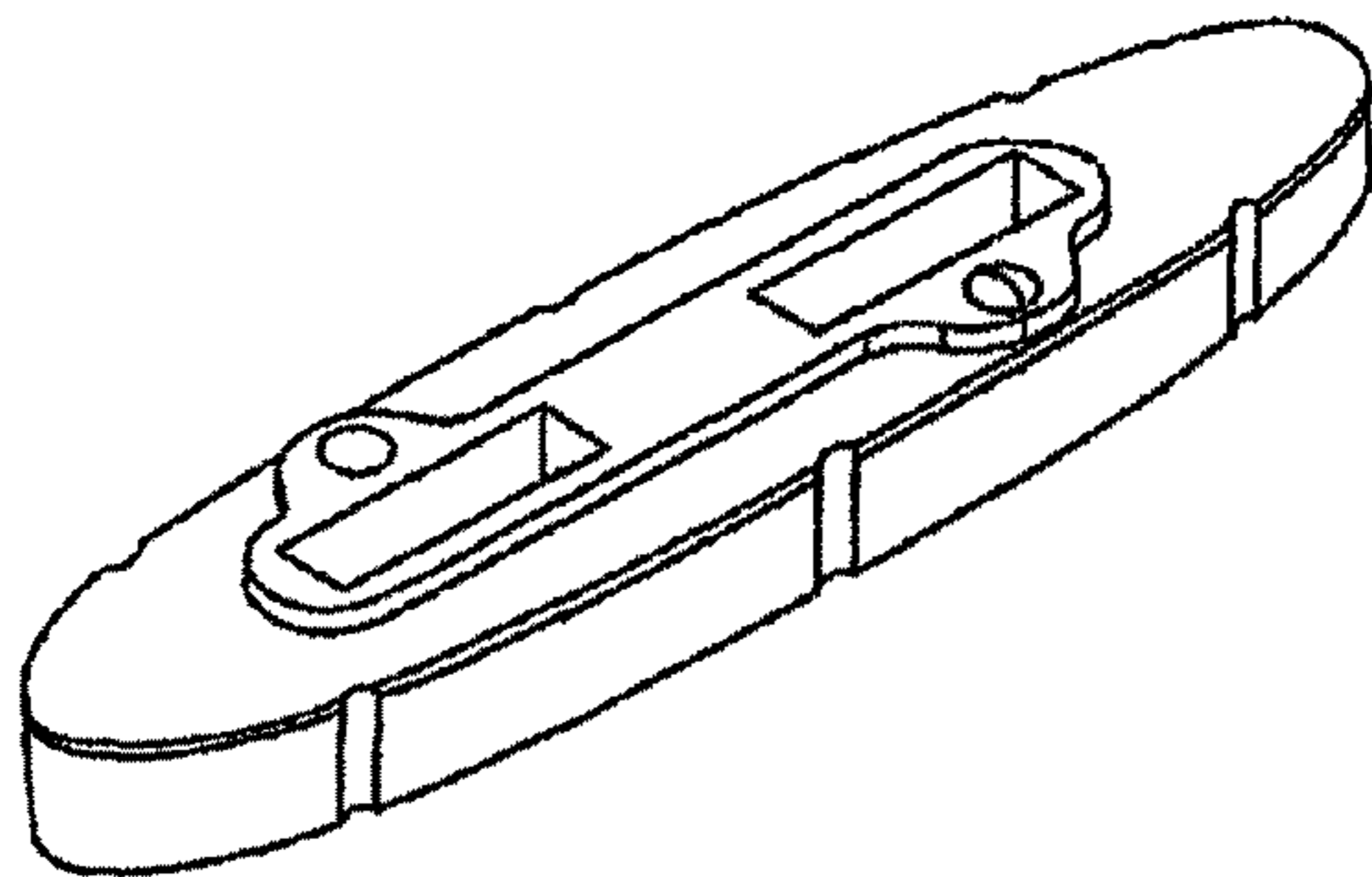
The ornamental design for a surf board fin insert, as shown and described.

**DESCRIPTION**

FIG. 1 is a perspective view of a first embodiment of a surf board fin insert showing our new design;  
FIG. 2 is an upside down view of the first embodiment of the surf board fin insert;  
FIG. 3 is another perspective view of the first embodiment of the surf board fin insert;  
FIG. 4 is a side view of the first embodiment of the surf board fin insert;  
FIG. 5 is a top view of the first embodiment of the surf board fin insert;

FIG. 6 is another side view of the first embodiment of the surf board fin insert;  
FIG. 7 is another perspective front view of the first embodiment of a surf board fin insert;  
FIG. 8 is an end view of the first embodiment of the surf board fin insert;  
FIG. 9 is another perspective view of the first embodiment of the surf board fin insert;  
FIG. 10 is a perspective view of a second embodiment of a surf board fin insert showing our new design;  
FIG. 11 is an upside down view of the second embodiment of the surf board fin insert;  
FIG. 12 is another perspective view of the second embodiment of the surf board fin insert;  
FIG. 13 is a side view of the second embodiment of the surf board fin insert;  
FIG. 14 is a top view of the second embodiment of the surf board fin insert;  
FIG. 15 is another side view of the second embodiment of the surf board fin insert;  
FIG. 16 is another perspective front view of the second embodiment of the surf board fin insert;  
FIG. 17 is an end view of the second embodiment of the surf board fin insert;  
FIG. 18 is another perspective view of the second embodiment of the surf board fin insert;  
FIG. 19 is a perspective view of a third embodiment of a surf board fin insert showing our new design;  
FIG. 20 is an upside down view of the third embodiment of the surf board fin insert;  
FIG. 21 is another perspective view of the third embodiment of the surf board fin insert;  
FIG. 22 is a side view of the third embodiment of the surf board fin insert;  
FIG. 23 is a top view of the third embodiment of the surf board fin insert;  
FIG. 24 is another side view of the third embodiment of the surf board fin insert;  
FIG. 25 is another perspective front view of the third embodiment of the surf board fin insert;  
FIG. 26 is an end view of the third embodiment of the surf board fin insert; and,  
FIG. 27 is another perspective view of the third embodiment of the surf board fin insert.

**1 Claim, 6 Drawing Sheets**



# US D663,000 S

Page 2

---

## U.S. PATENT DOCUMENTS

6,793,548	B2 *	9/2004	Jolly et al. ....	441/79	D635,630	S *	4/2011	Durante .....	D21/771
7,108,571	B2 *	9/2006	Geraghty .....	441/79	D644,287	S *	8/2011	Holloway et al. ....	D21/771
7,121,911	B1 *	10/2006	Hickman .....	441/79	2002/0155769	A1 *	10/2002	Herbert et al. ....	441/79
D542,874	S *	5/2007	Rodier .....	D21/771	2004/0035346	A1 *	2/2004	Davey et al. ....	114/152
D621,464	S *	8/2010	Durante et al. ....	D21/771	2006/0189230	A1 *	8/2006	Sams et al. ....	441/79

\* cited by examiner

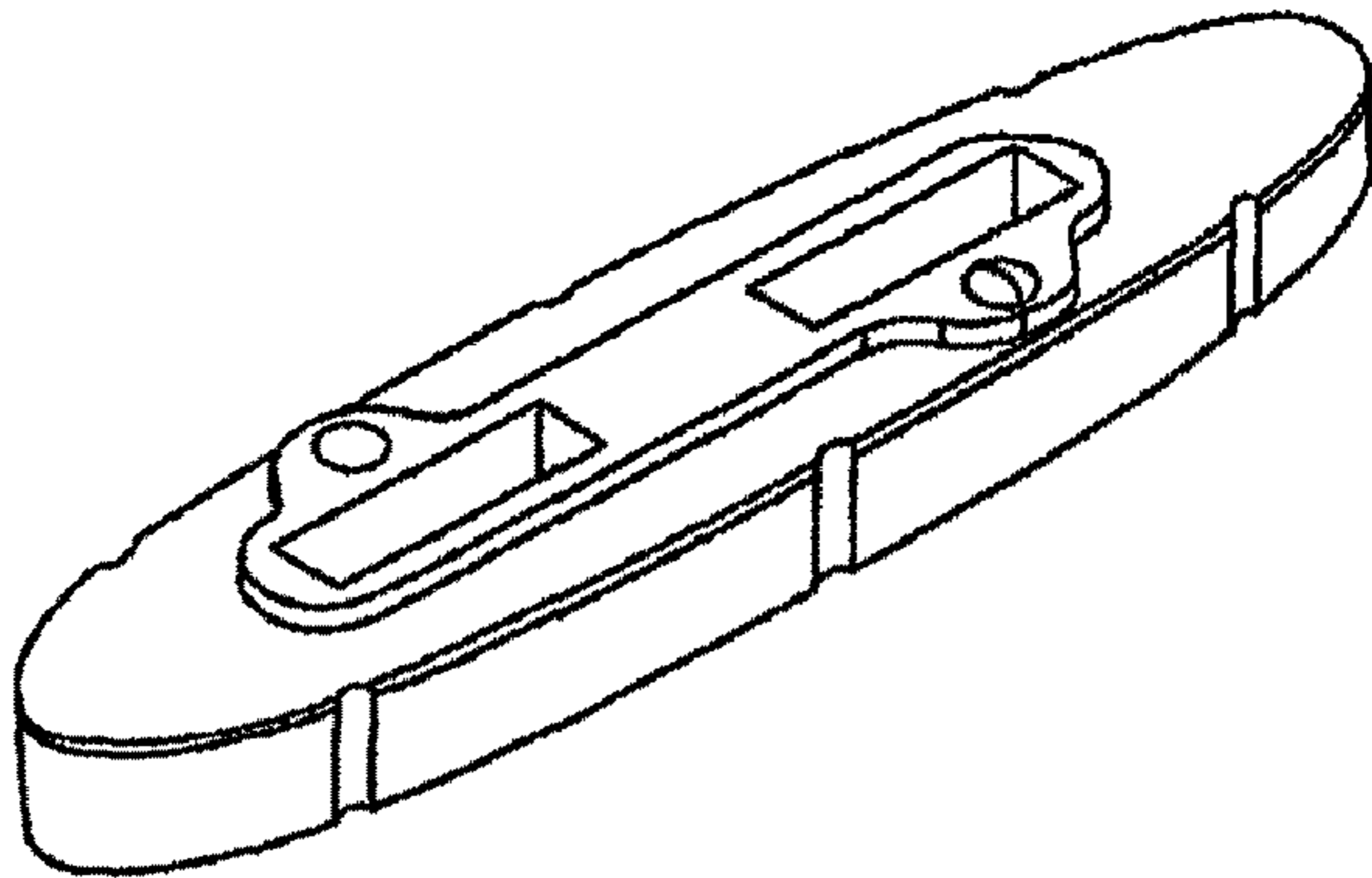


FIGURE 1



FIGURE 2

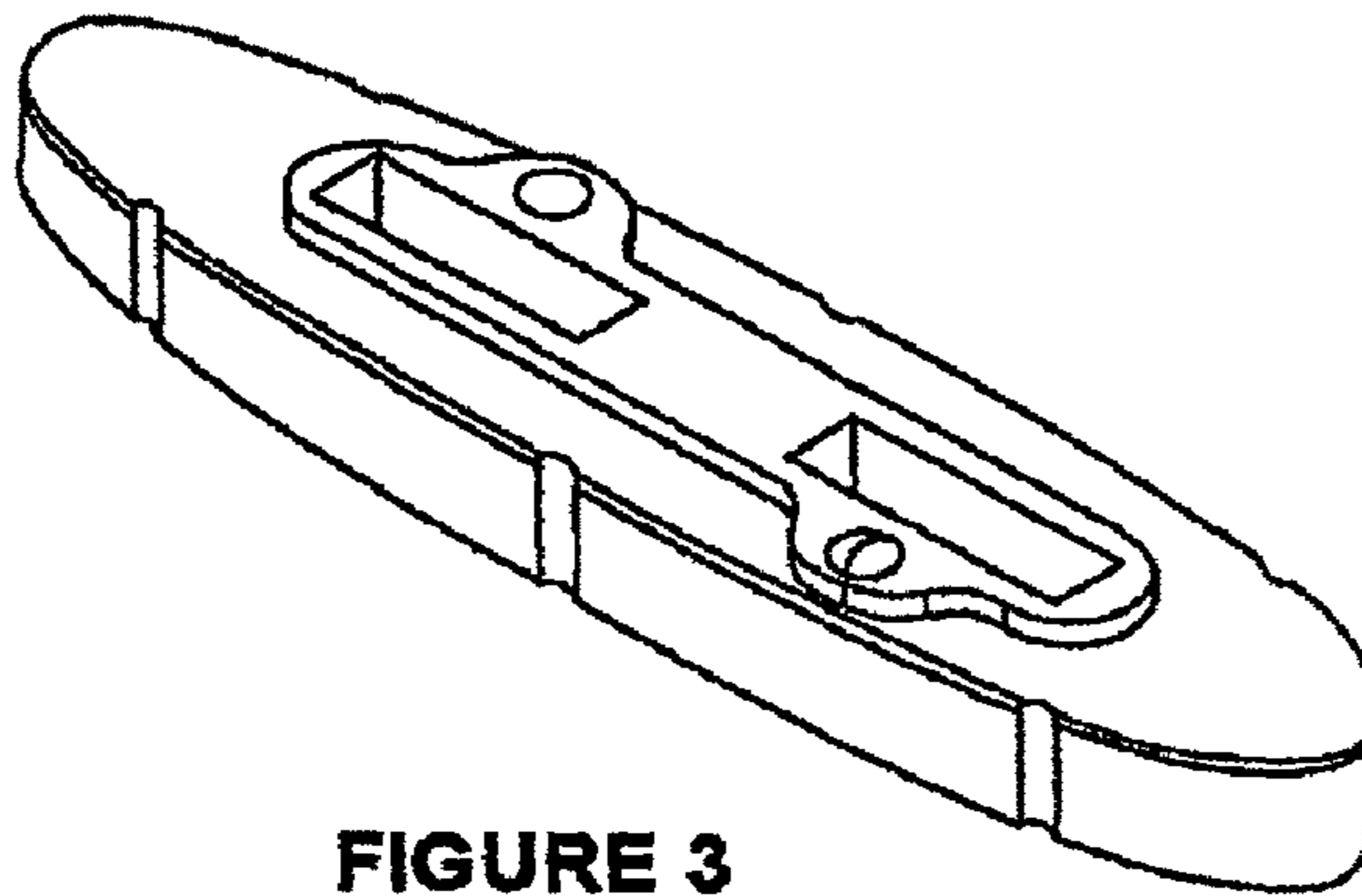


FIGURE 3

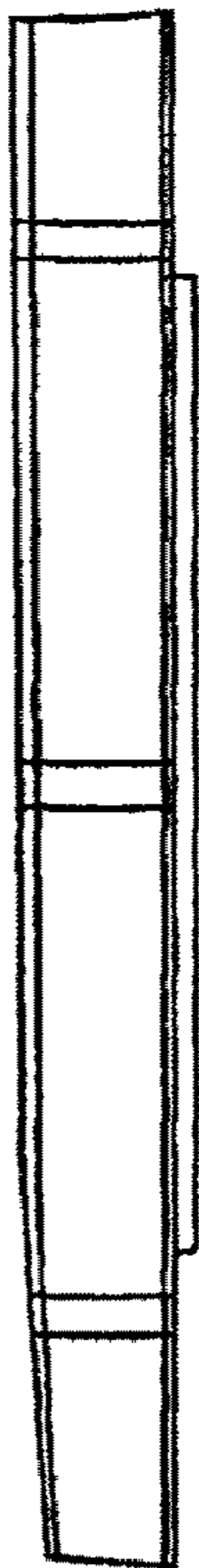


FIGURE 4

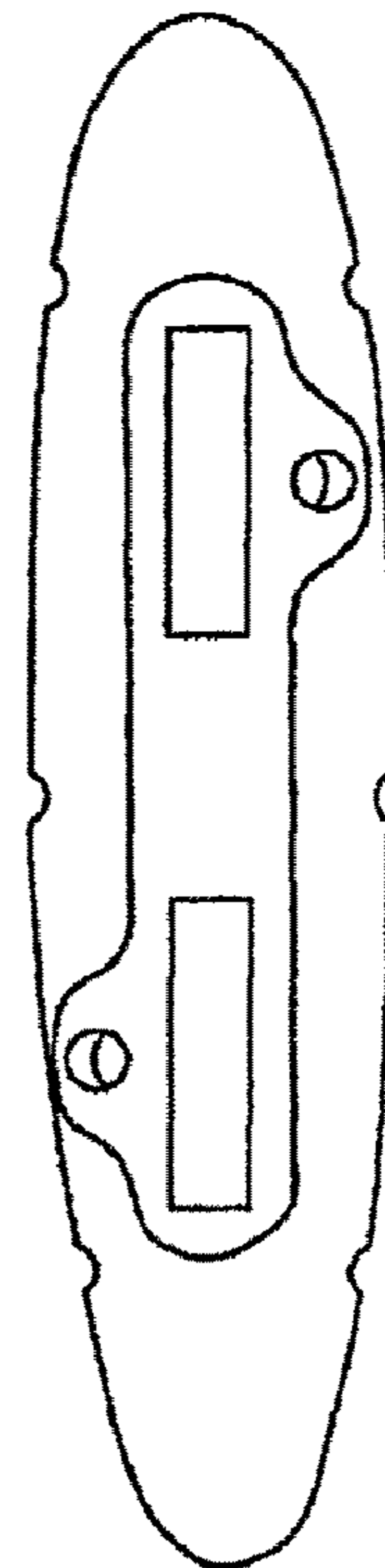
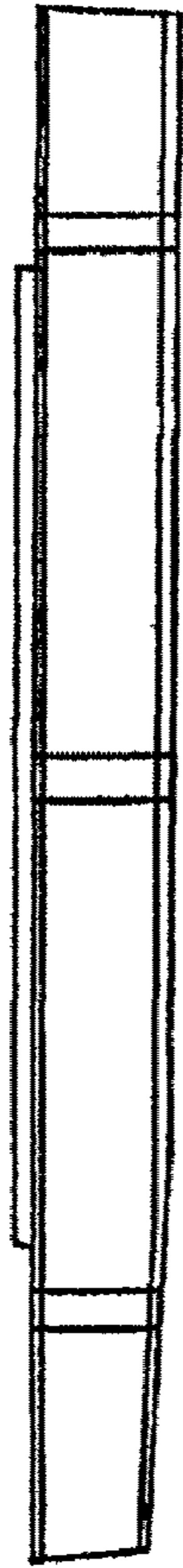
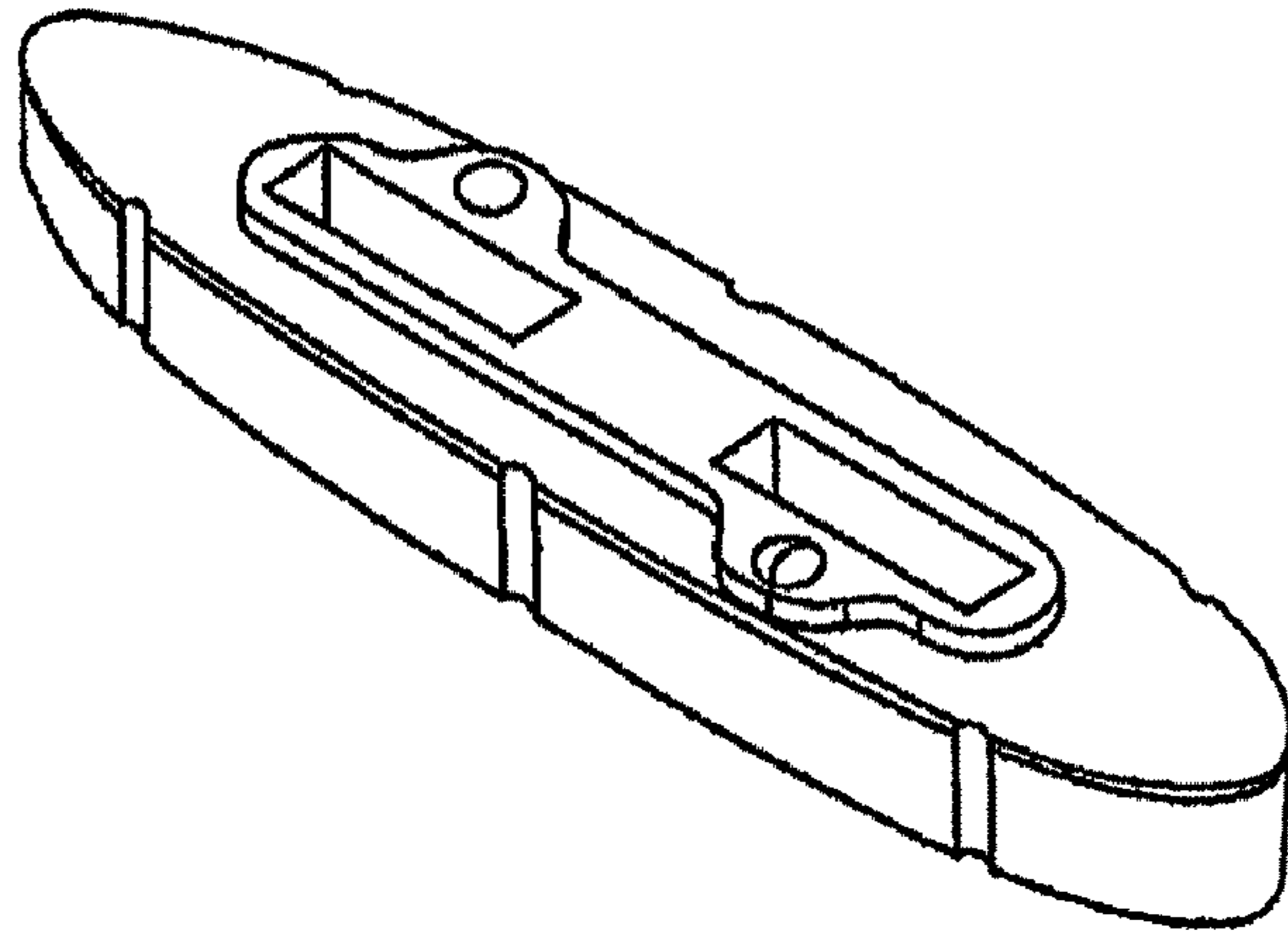


FIGURE 5



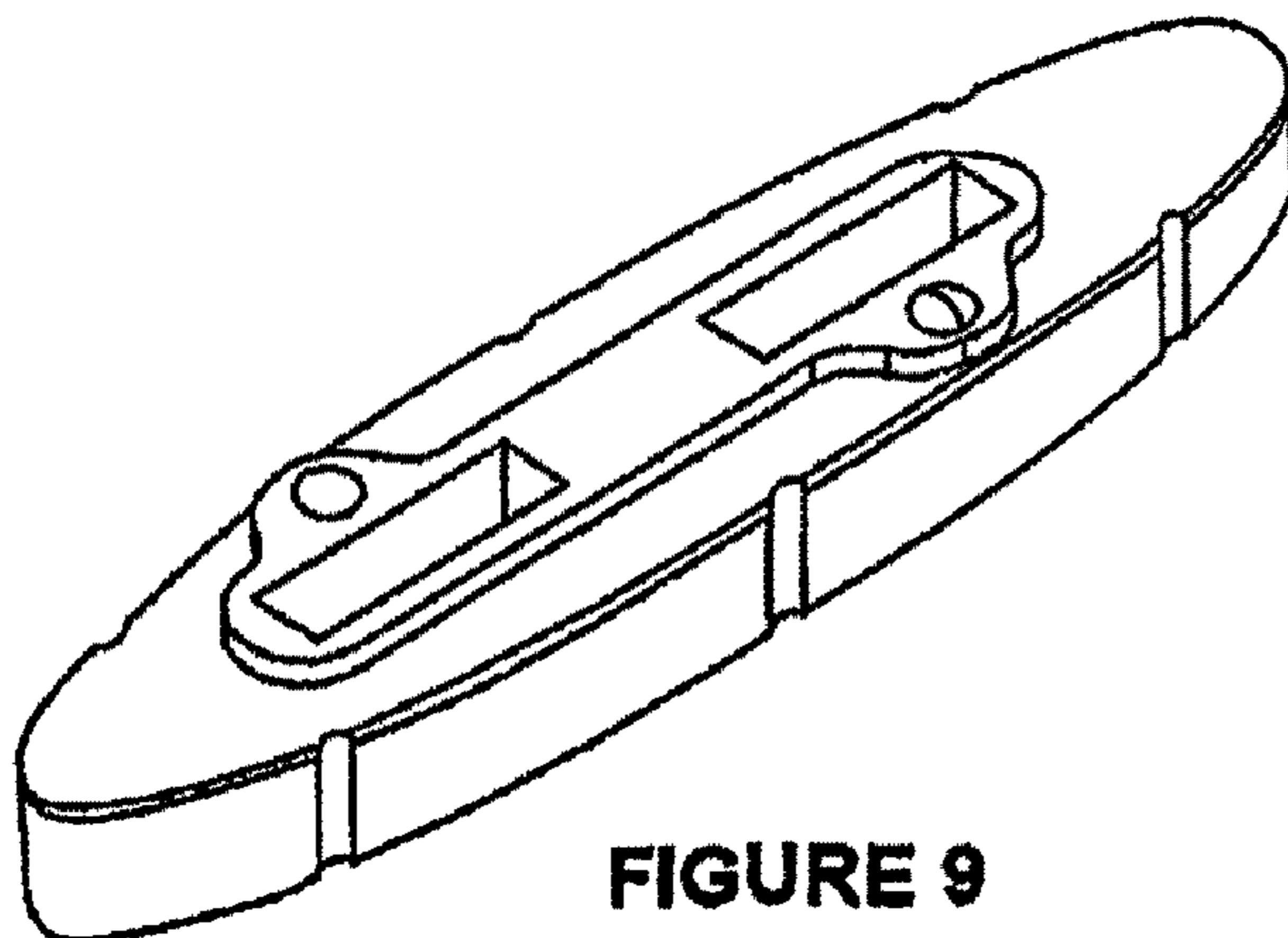
**FIGURE 6**



**FIGURE 7**



**FIGURE 8**



**FIGURE 9**



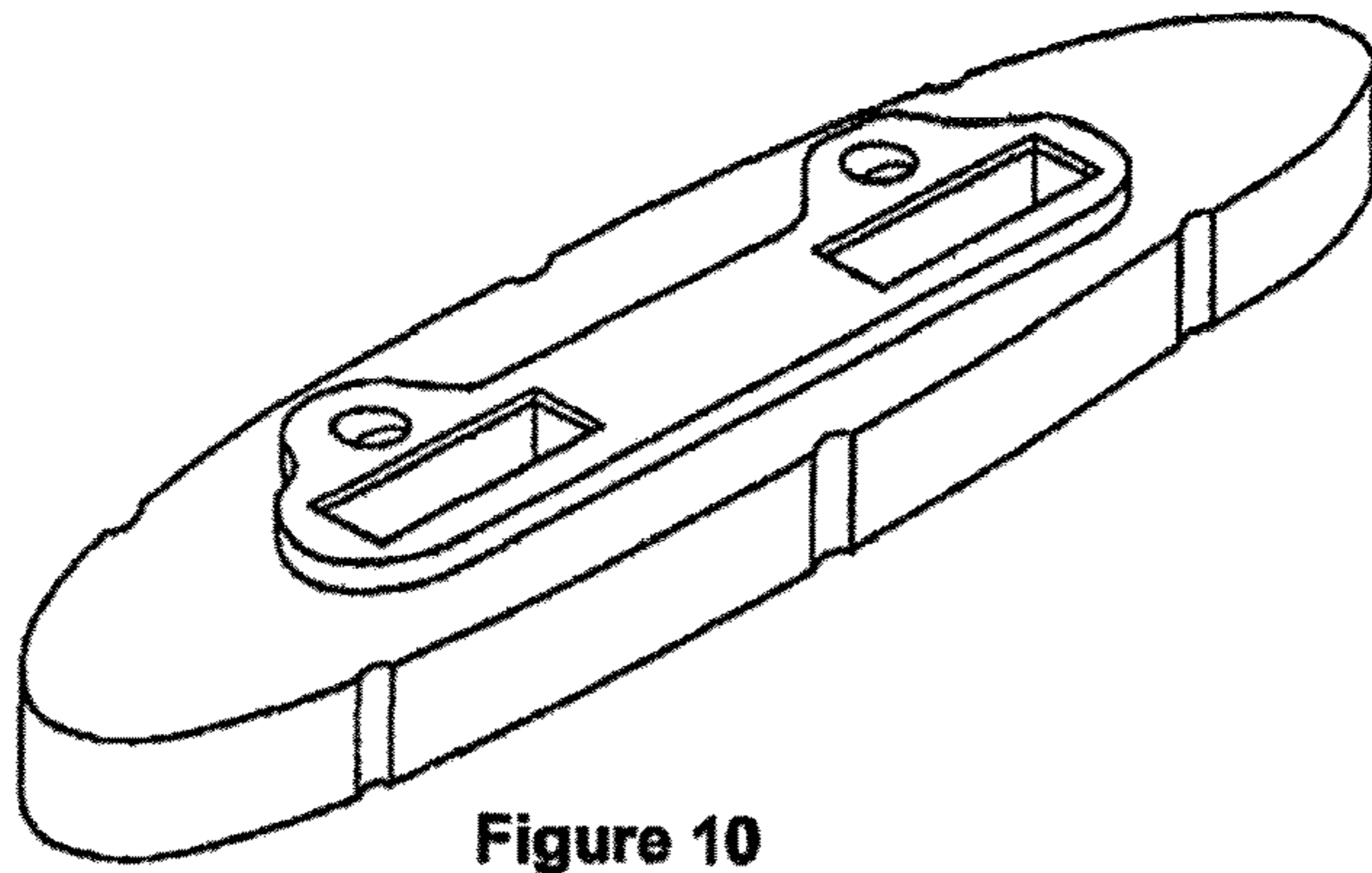


Figure 10



Figure 11

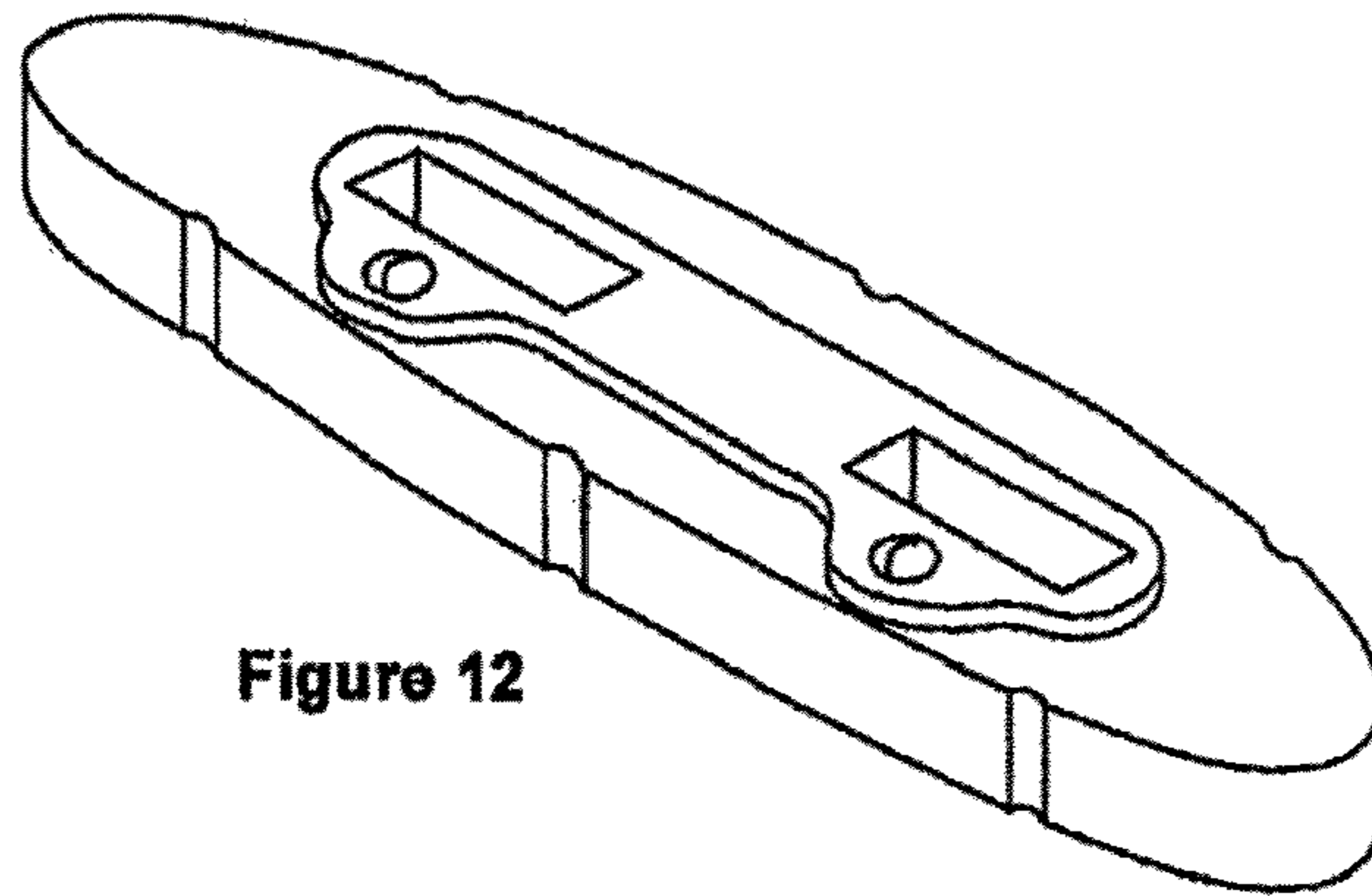


Figure 12

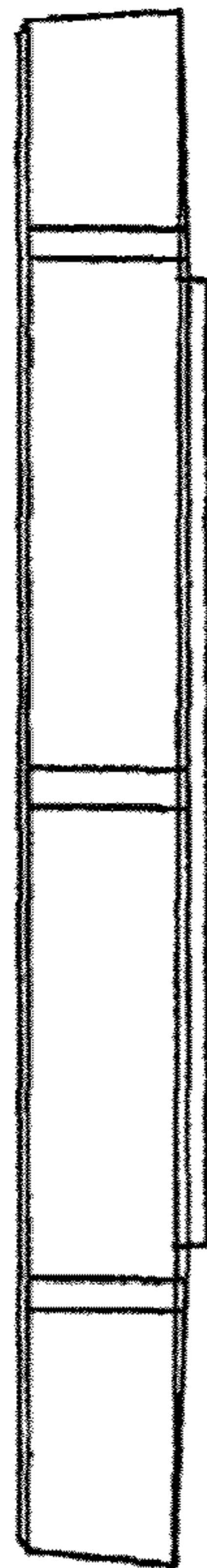


Figure 13

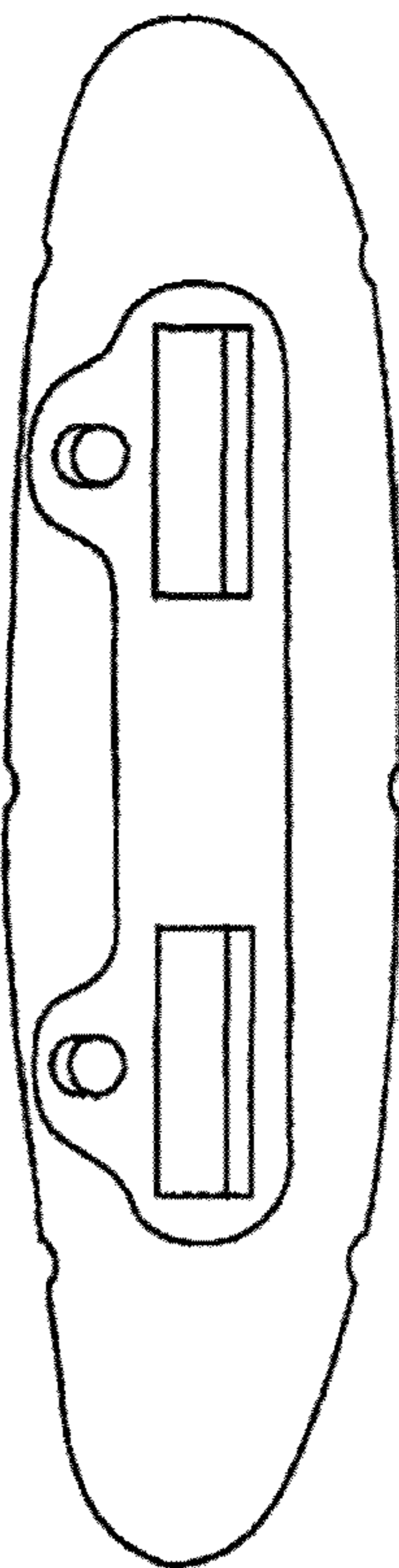


Figure 14

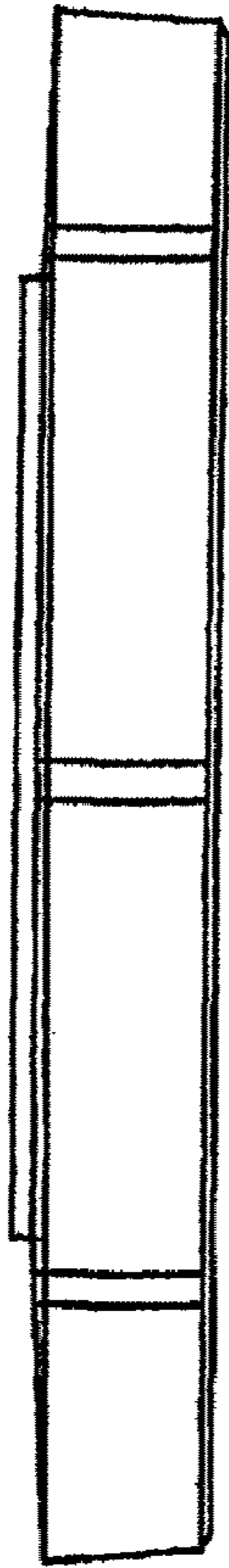


Figure 16

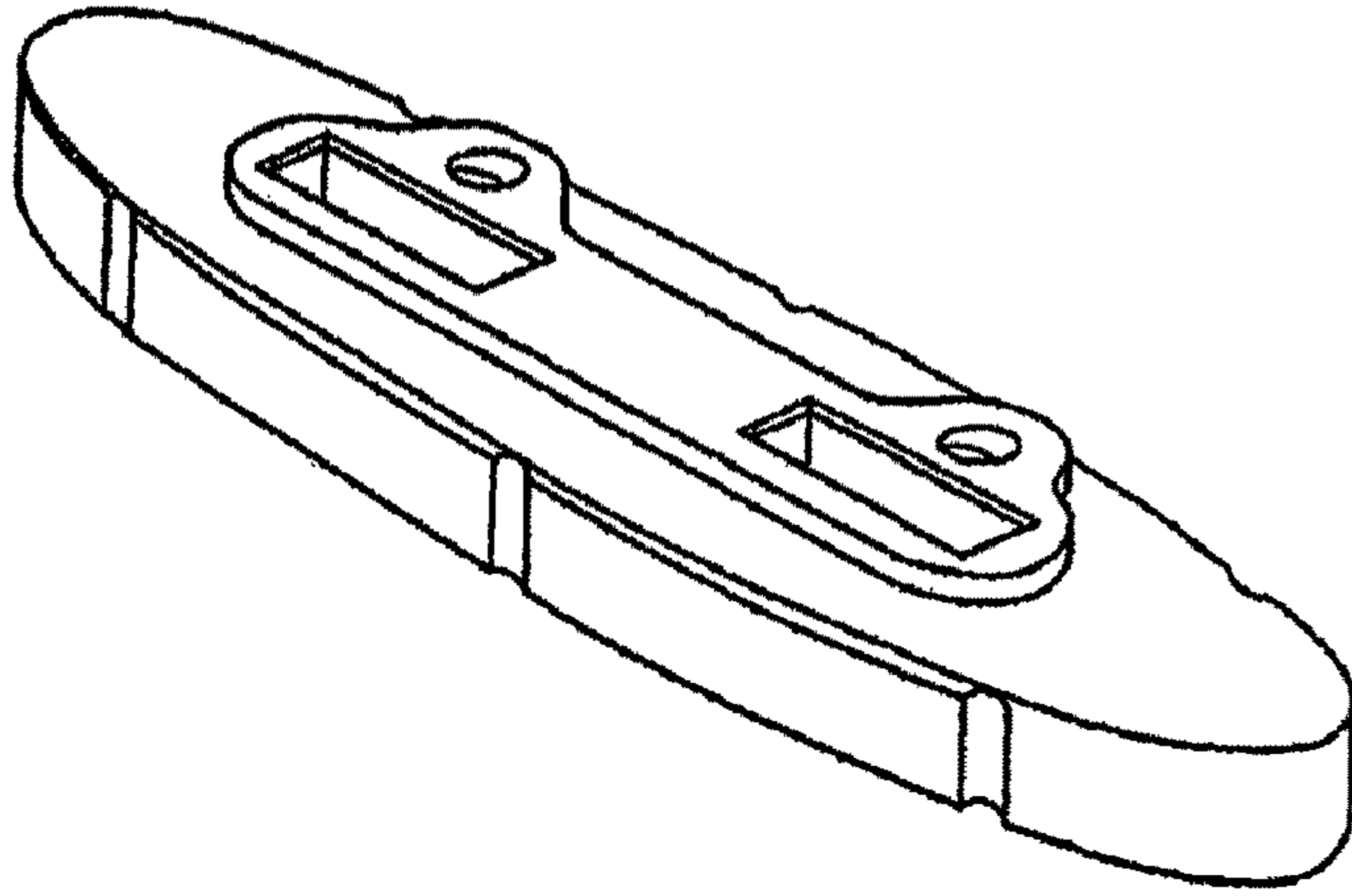


Figure 15

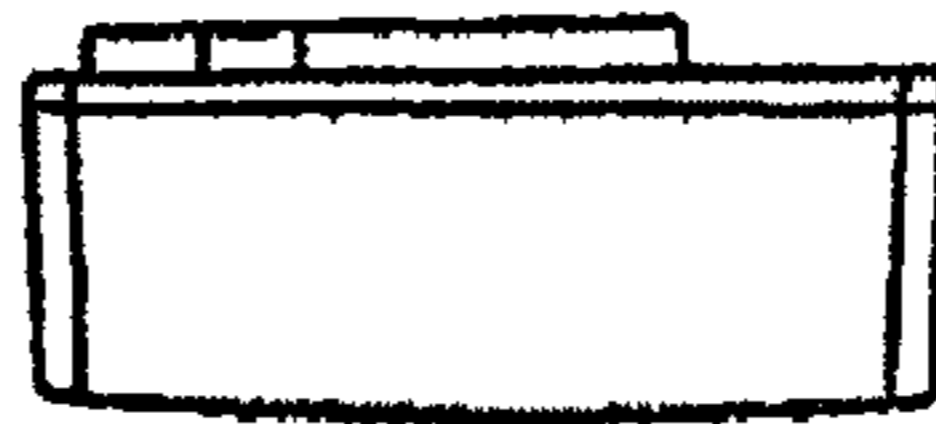


Figure 17

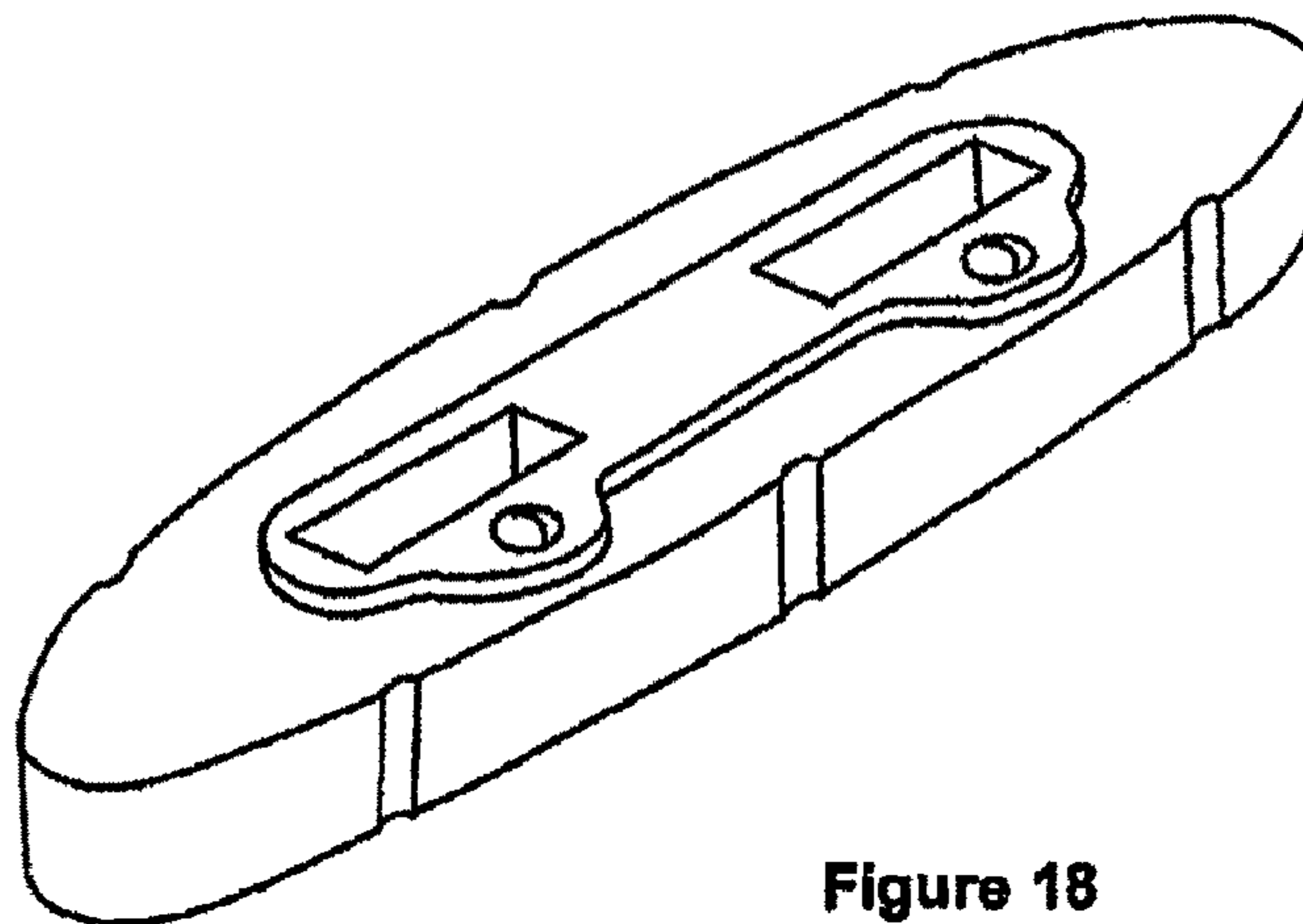


Figure 18

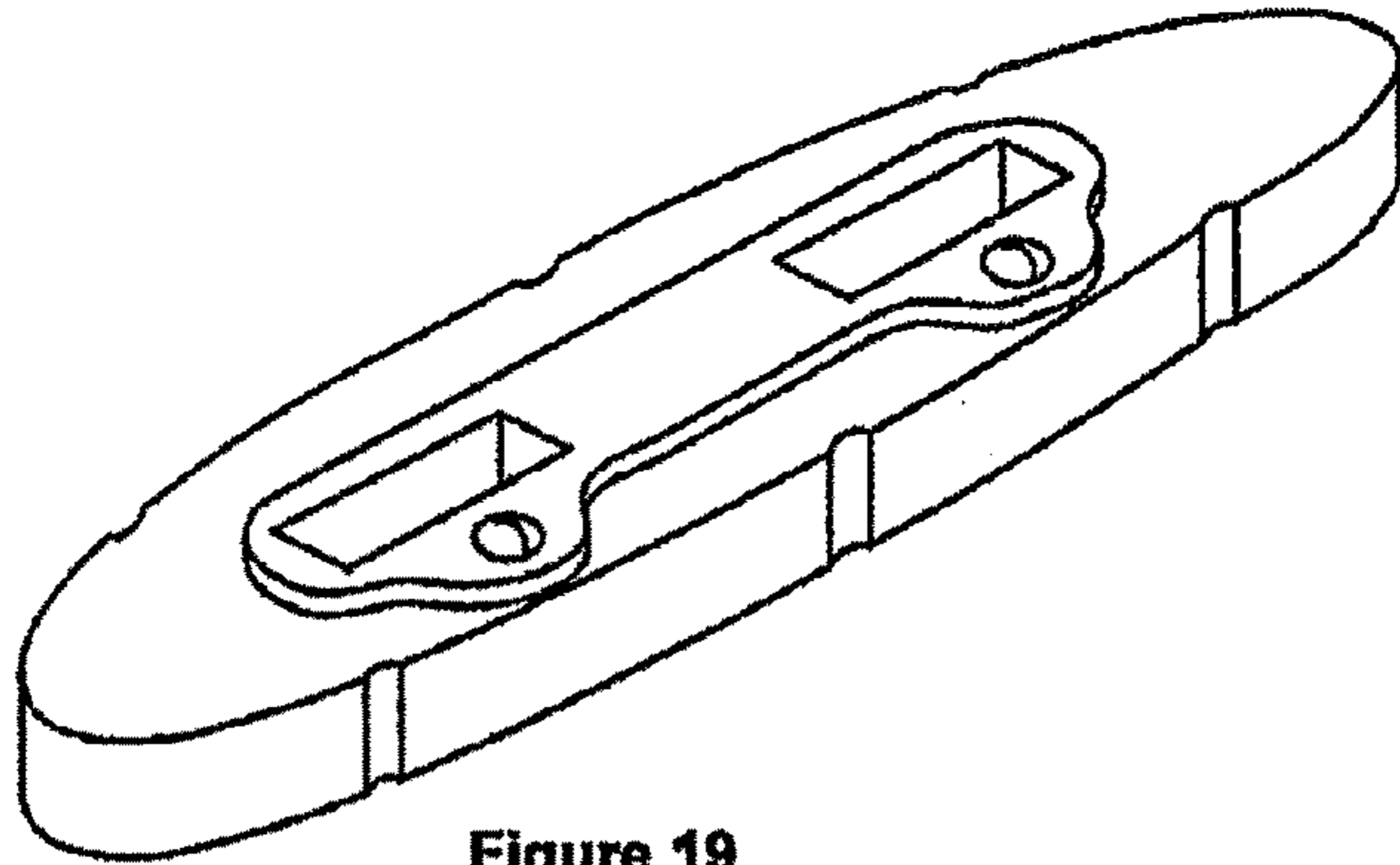


Figure 19



Figure 20

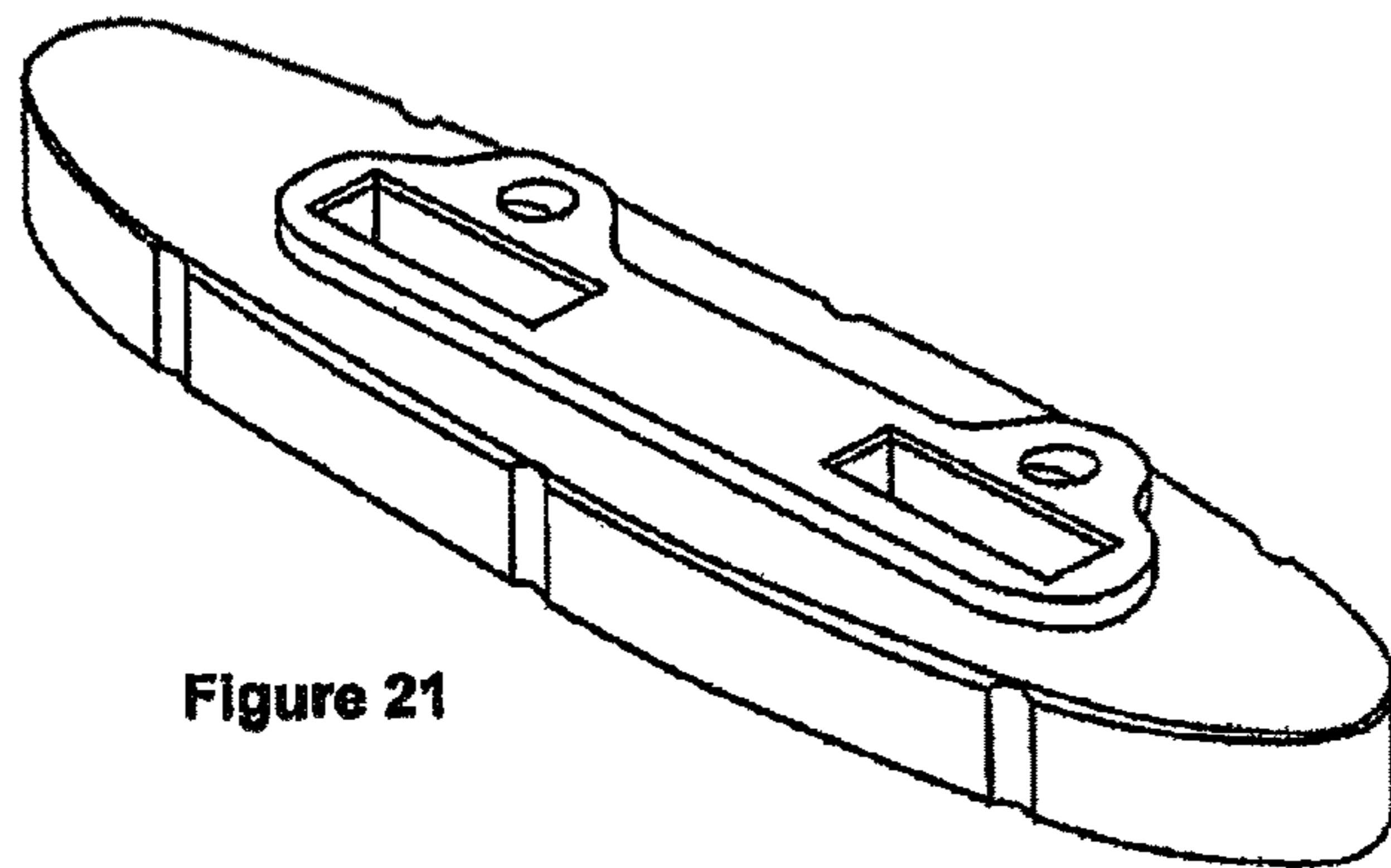


Figure 21

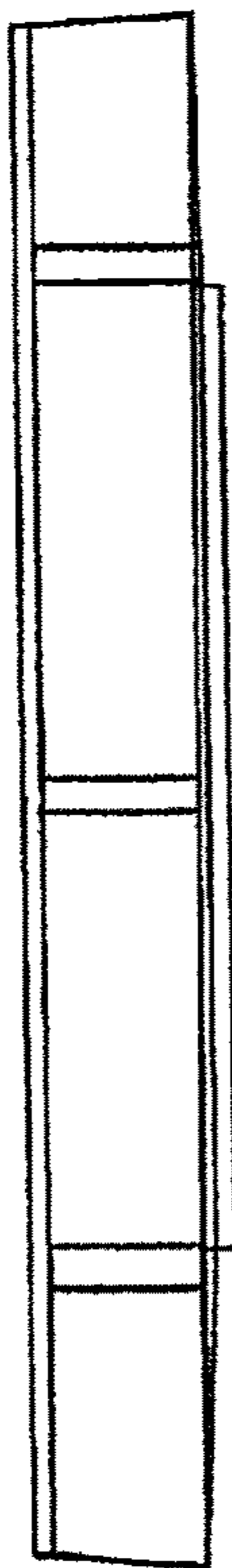


Figure 22

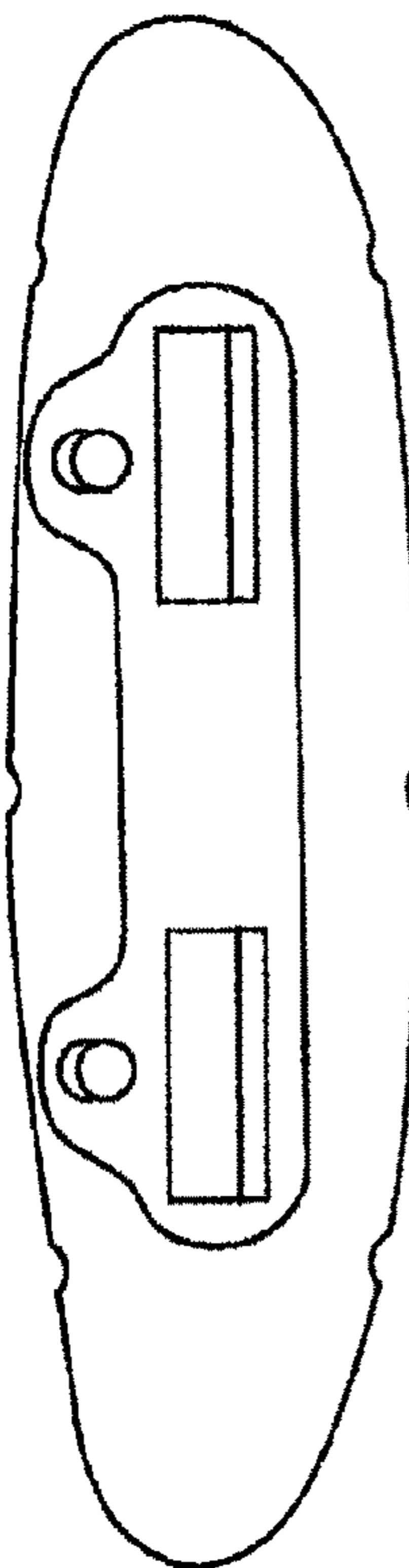


Figure 23

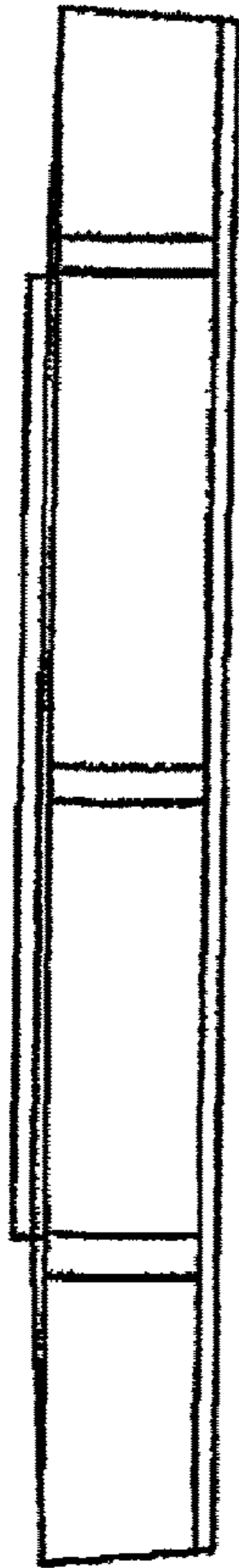


Figure 24

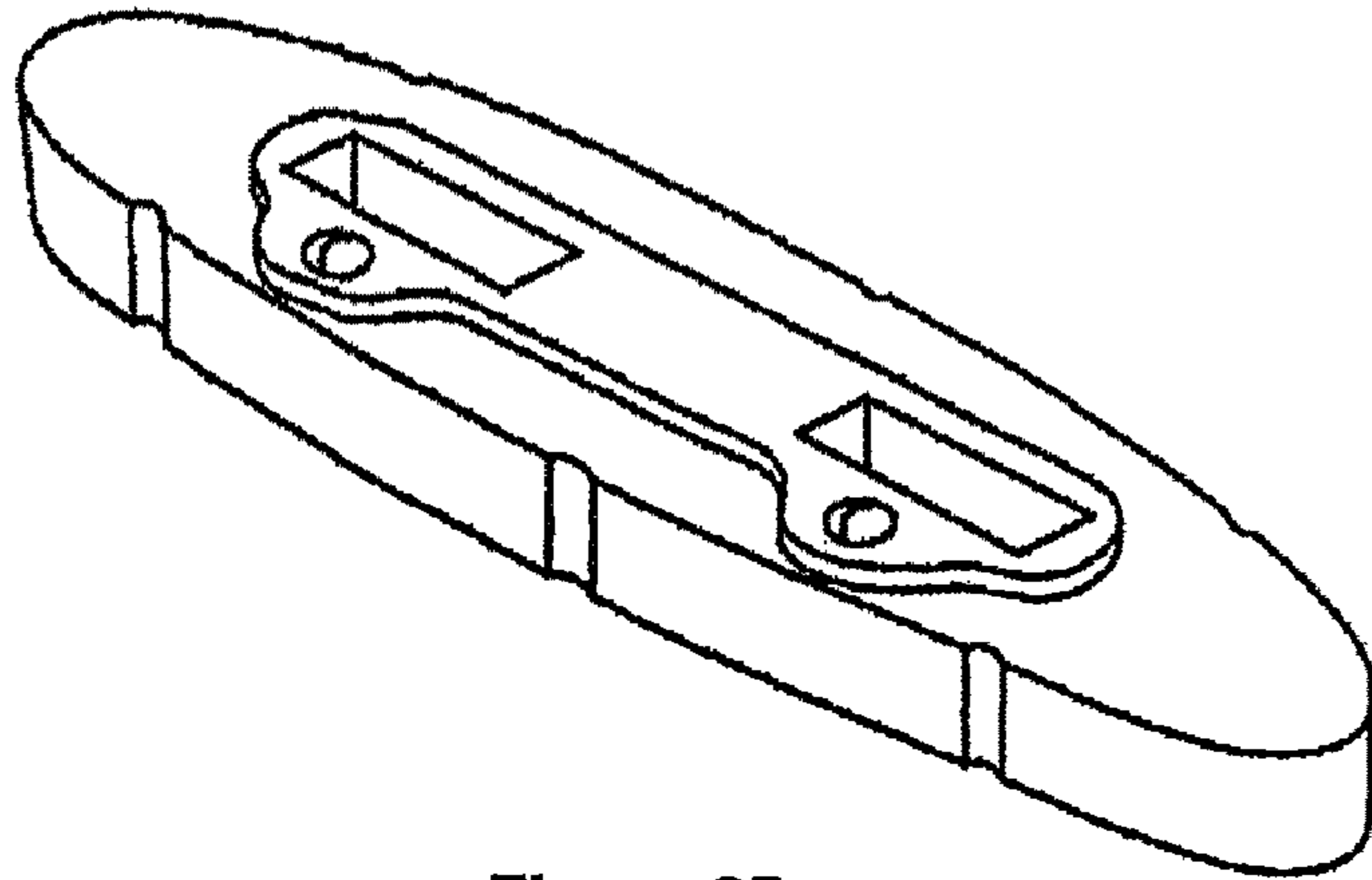


Figure 25

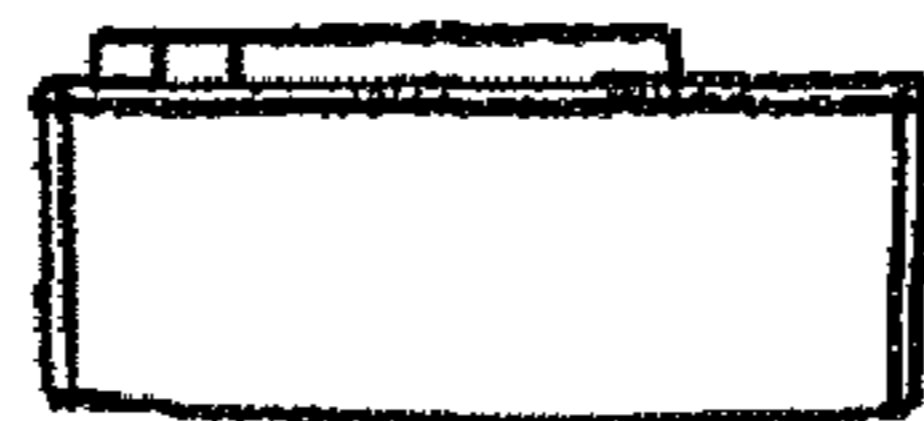


Figure 26

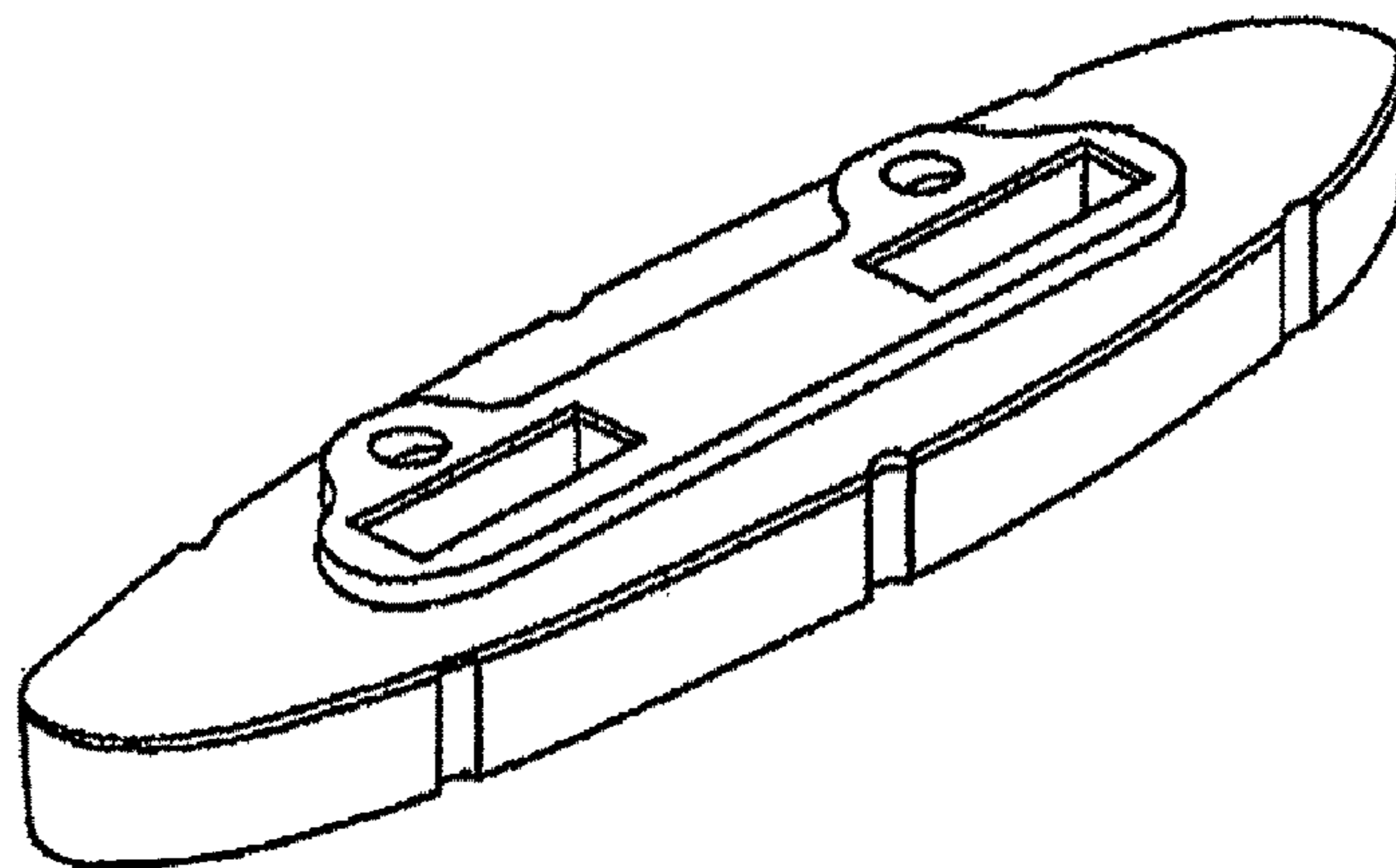


Figure 27