



US00D662999S

(12) **United States Design Patent**
Sobolik

(10) **Patent No.:** **US D662,999 S**

(45) **Date of Patent:** **** Jul. 3, 2012**

(54) **BIG FOOT SHAPED WATER SKIS**

(76) **Inventor:** **Daryl A. Sobolik**, Discovery Bay, CA
(US)

(**) **Term:** **14 Years**

(21) **Appl. No.:** **29/404,926**

(22) **Filed:** **Oct. 26, 2011**

(51) **LOC (9) Cl.** **21-02**

(52) **U.S. Cl.** **D21/766**

(58) **Field of Classification Search** D21/760,
D21/761, 765, 766, 768-777, 801, 803; 441/65-66,
441/68-69, 72-75, 79

See application file for complete search history.

(56) **References Cited**

U.S. PATENT DOCUMENTS

D196,948 S	*	11/1963	Roman	D21/806
D224,424 S	*	7/1972	Schell	D21/765
D227,688 S	*	7/1973	Chase	D21/766
D230,536 S	*	3/1974	Gordon	D1/109
D251,080 S	*	2/1979	Koblick	D2/916

D442,448 S	*	5/2001	Kelleghan	D8/38
D476,748 S	*	7/2003	Nezirevic	D25/112
D520,290 S	*	5/2006	Curtis	D6/588
D557,367 S	*	12/2007	Terman	D21/804

* cited by examiner

Primary Examiner — Zenia Bennett

(74) *Attorney, Agent, or Firm* — Sinorica, LLC

(57) **CLAIM**

The ornamental design for a pair of big foot shaped water skis, as shown and described.

DESCRIPTION

FIG. 1 is a perspective view of a pair of big foot shaped water skis;

FIG. 2 is a top plan view thereof;

FIG. 3 is a bottom plan view thereof;

FIG. 4 is a right-side elevational view thereof;

FIG. 5 is a left-side elevational view being thereof;

FIG. 6 is a front-elevational view thereof; and,

FIG. 7 is a rear-elevational view thereof.

1 Claim, 5 Drawing Sheets

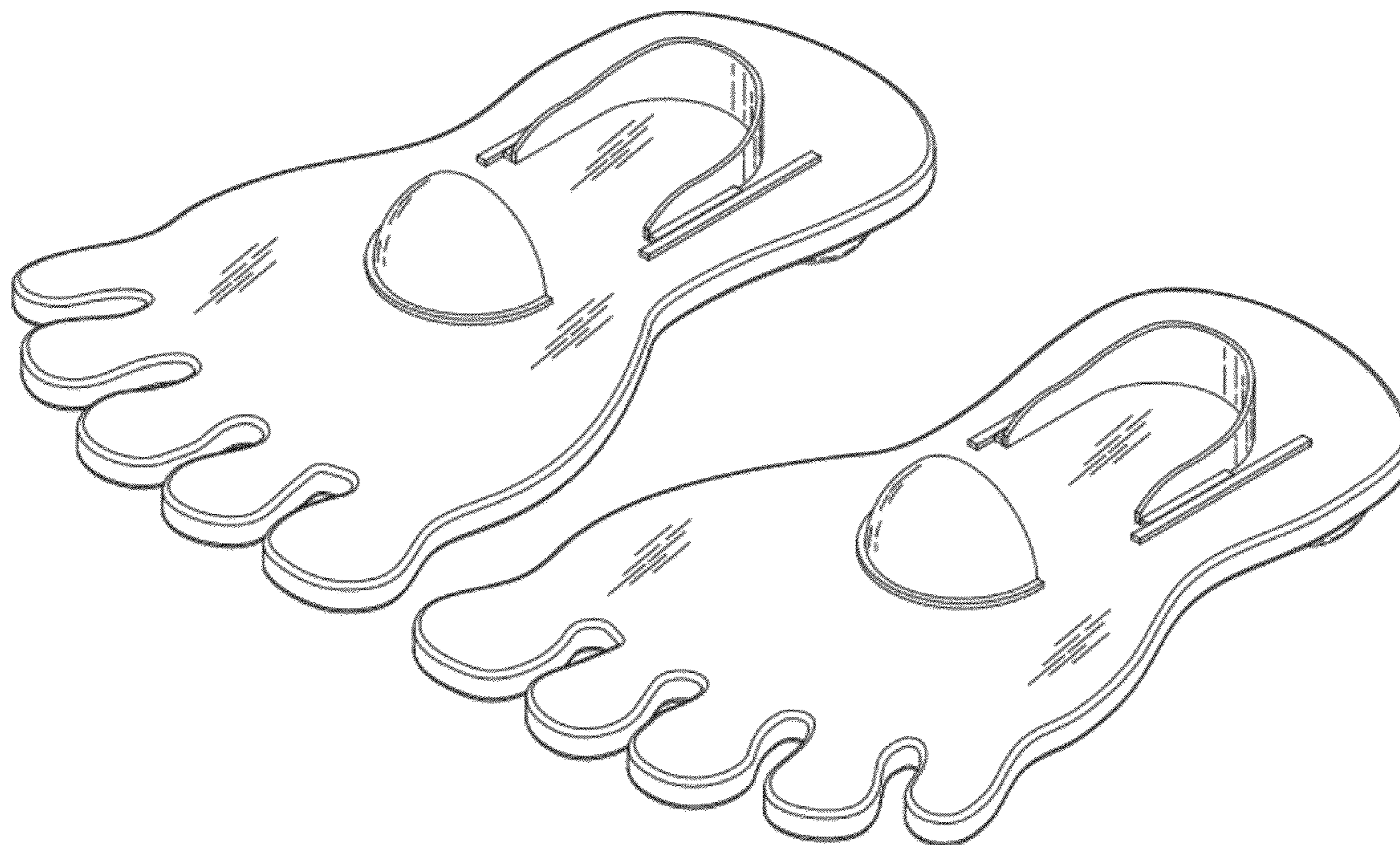




FIG. 1

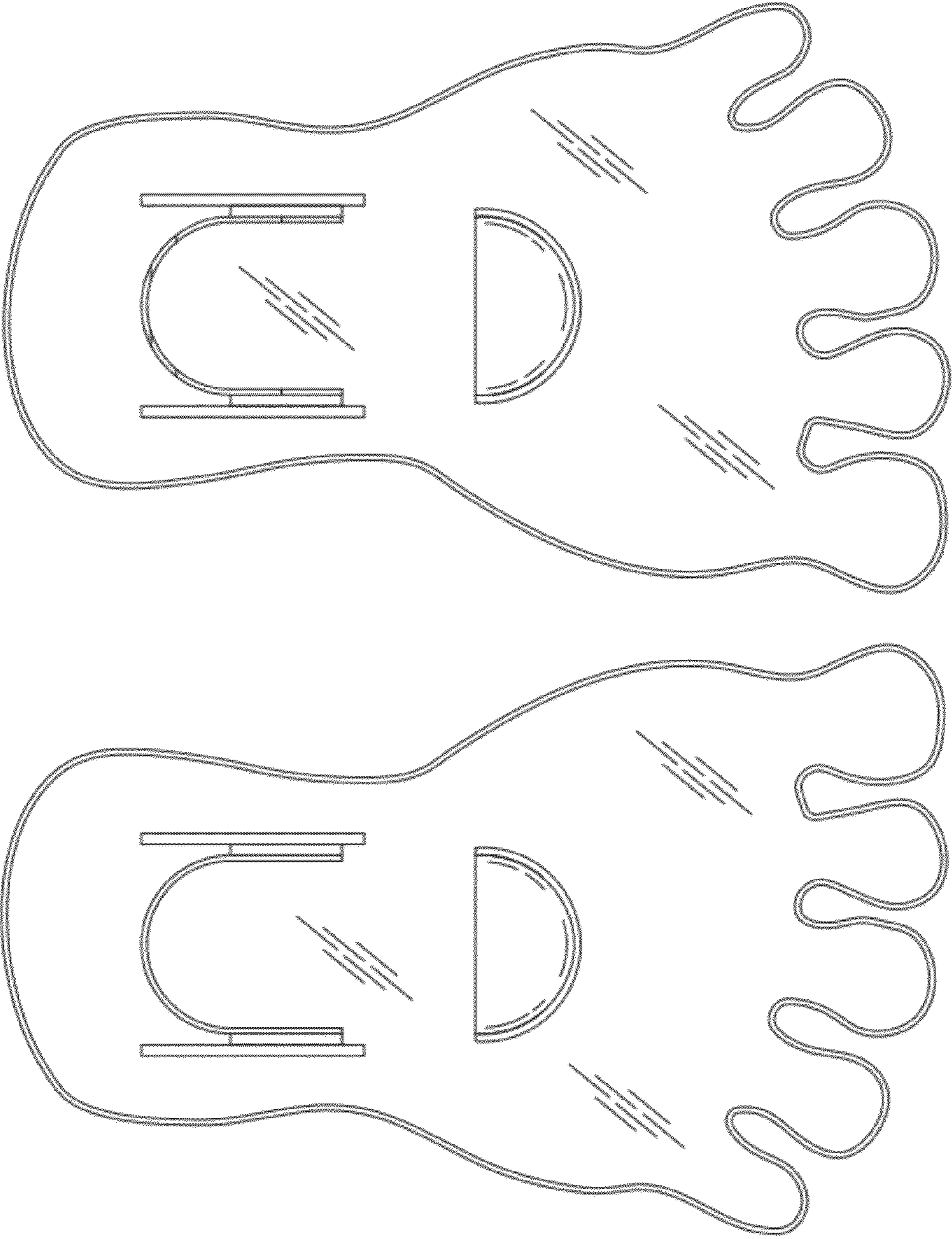


FIG. 2

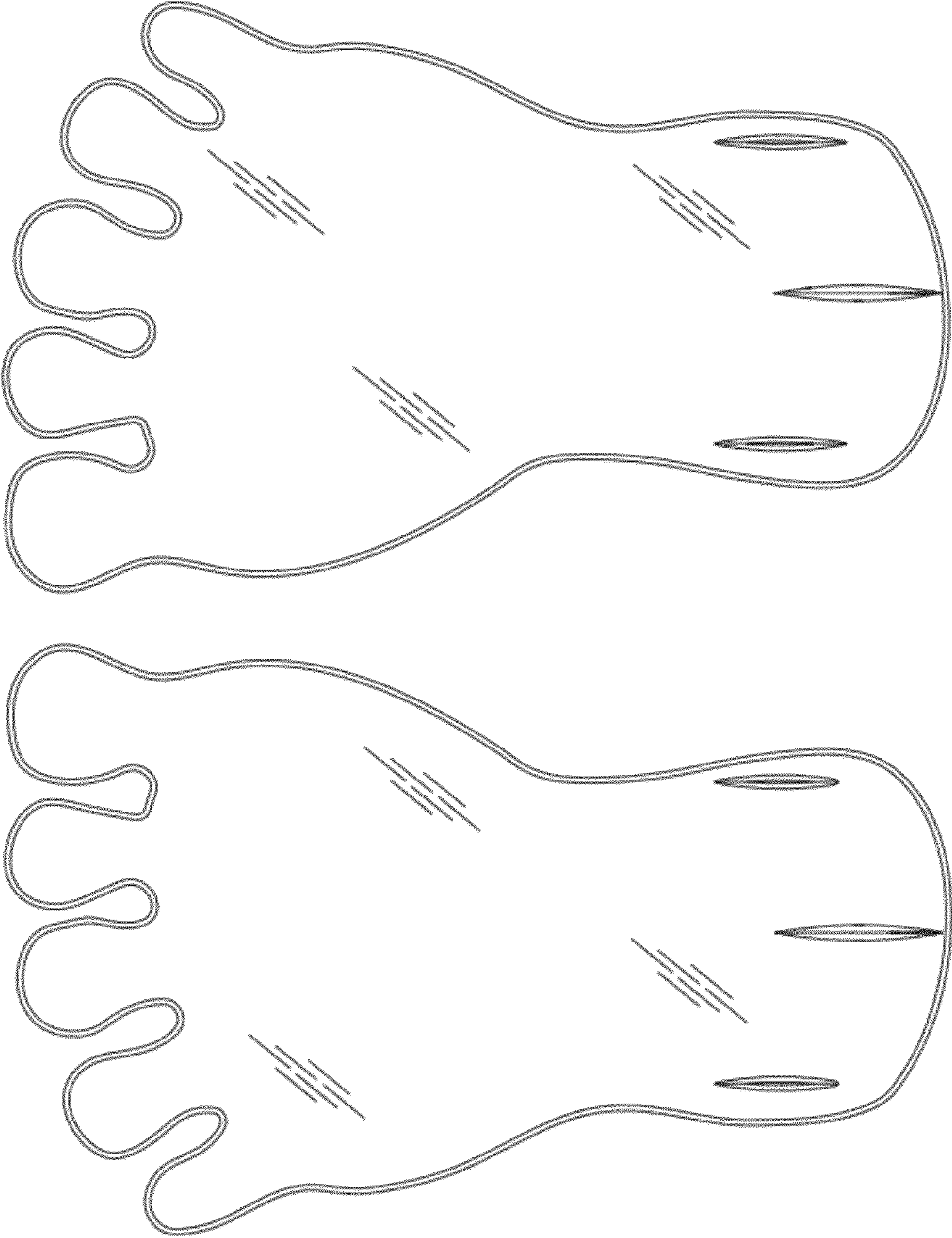


FIG. 3

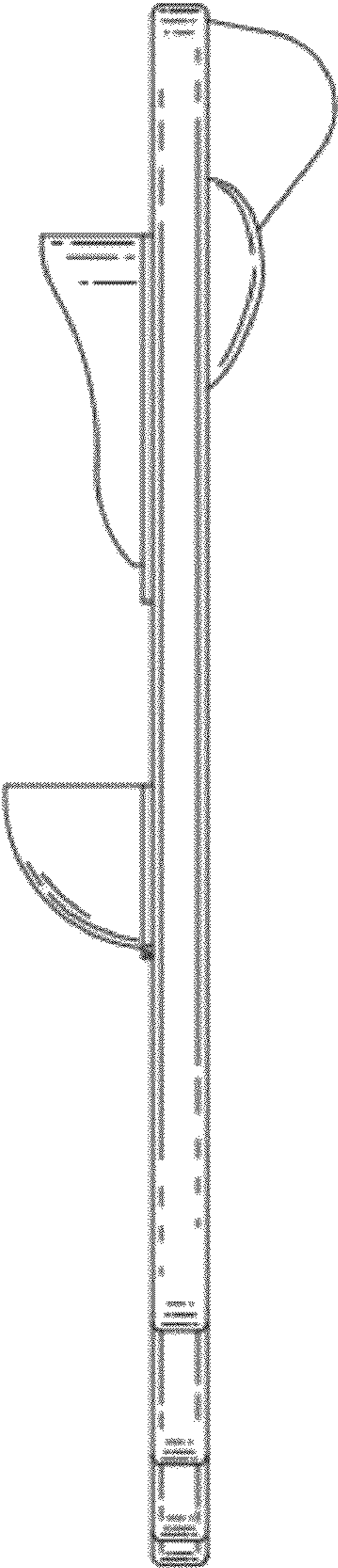


FIG. 4

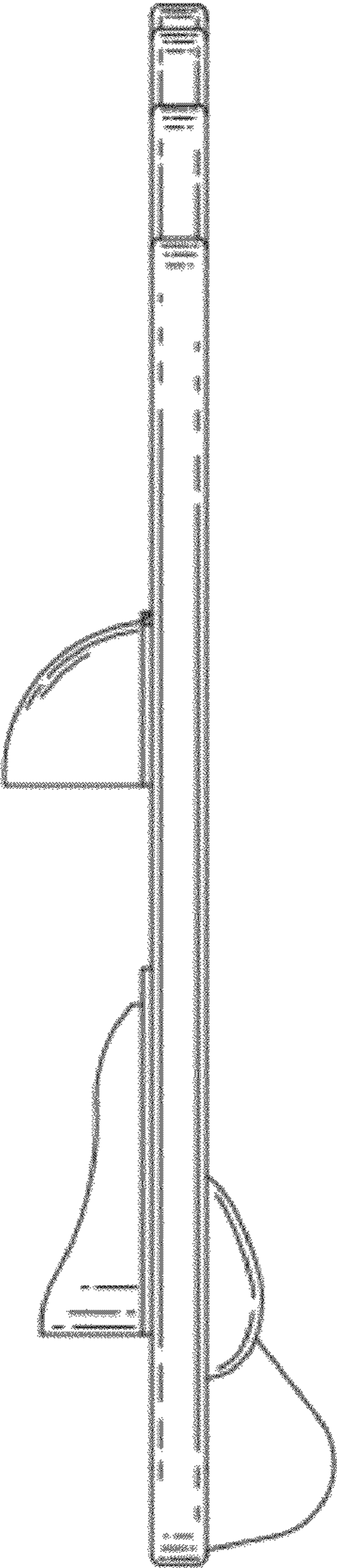


FIG. 5

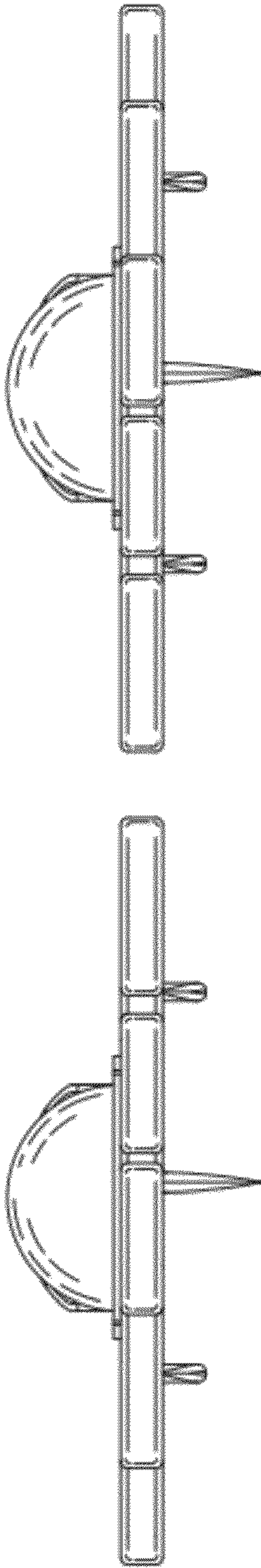


FIG. 6

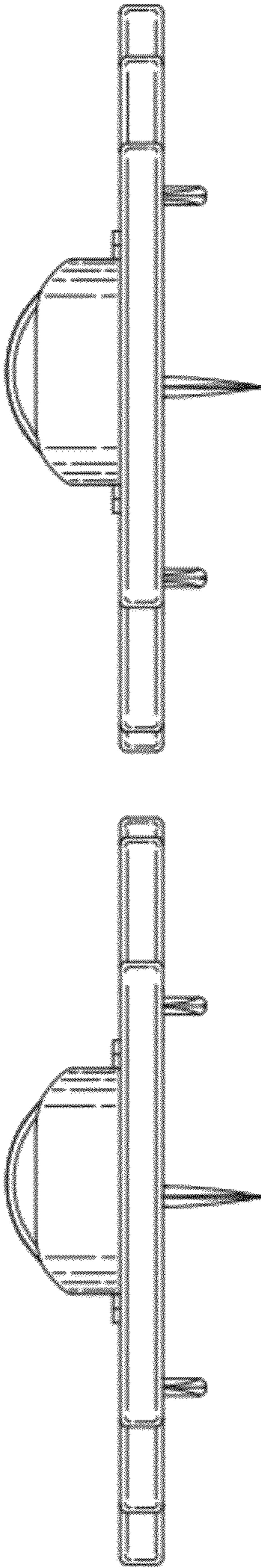


FIG. 7