



US00D662997S

(12) **United States Design Patent**  
**Su**

(10) **Patent No.:** **US D662,997 S**

(45) **Date of Patent:** **\*\* Jul. 3, 2012**

(54) **FITNESS DEVICE**

(75) Inventor: **Yung-Kuang Su, Xinbei (TW)**

(73) Assignee: **Welt Jet International Limited, Xinbei (TW)**

(\*\*) Term: **14 Years**

(21) Appl. No.: **29/392,565**

(22) Filed: **May 24, 2011**

(51) **LOC (9) Cl.** ..... **21-02**

(52) **U.S. Cl.** ..... **D21/662**

(58) **Field of Classification Search** ..... D21/662,  
D21/679, 680, 684, 686, 694; D24/211-215;  
D8/90, 315-317; 482/8, 62, 91, 92, 123,  
482/132, 141-142; 601/80, 113, 125

See application file for complete search history.

(56) **References Cited**

**U.S. PATENT DOCUMENTS**

4,610,448	A *	9/1986	Hill	.....	482/141
5,226,868	A *	7/1993	Montgomery	.....	482/141
D374,045	S *	9/1996	Ward, III	.....	D21/686
D418,803	S *	1/2000	Klimenko	.....	D12/316
6,129,651	A *	10/2000	Denaro	.....	482/141
6,186,930	B1 *	2/2001	Ignaczak	.....	482/141
D491,777	S *	6/2004	Wenisch	.....	D8/45
D523,493	S *	6/2006	Horton	.....	D21/662
D576,693	S *	9/2008	Khubani	.....	D21/686
D579,503	S *	10/2008	Hauser et al.	.....	D21/662

D593,168	S *	5/2009	Khubani	.....	D21/662
D597,153	S *	7/2009	Friedman et al.	.....	D21/662
D599,417	S *	9/2009	Friedman et al.	.....	D21/662
2005/0148448	A1 *	7/2005	Mersch	.....	482/141
2011/0028274	A1 *	2/2011	Chong	.....	482/8
2011/0166006	A1 *	7/2011	Howard	.....	482/141
2011/0230319	A1 *	9/2011	Mulderrig et al.	.....	482/141

\* cited by examiner

*Primary Examiner* — Susan E Krakower

(74) *Attorney, Agent, or Firm* — Alan Kamrath; Kamrath IP Lawfirm, PA

(57) **CLAIM**

The ornamental design for a fitness device, as shown and described.

**DESCRIPTION**

FIG. 1 is a perspective view of a fitness device showing my new design;

FIG. 2 is a front elevational view thereof

FIG. 3 is a rear elevational view thereof;

FIG. 4 is a left side elevational view thereof;

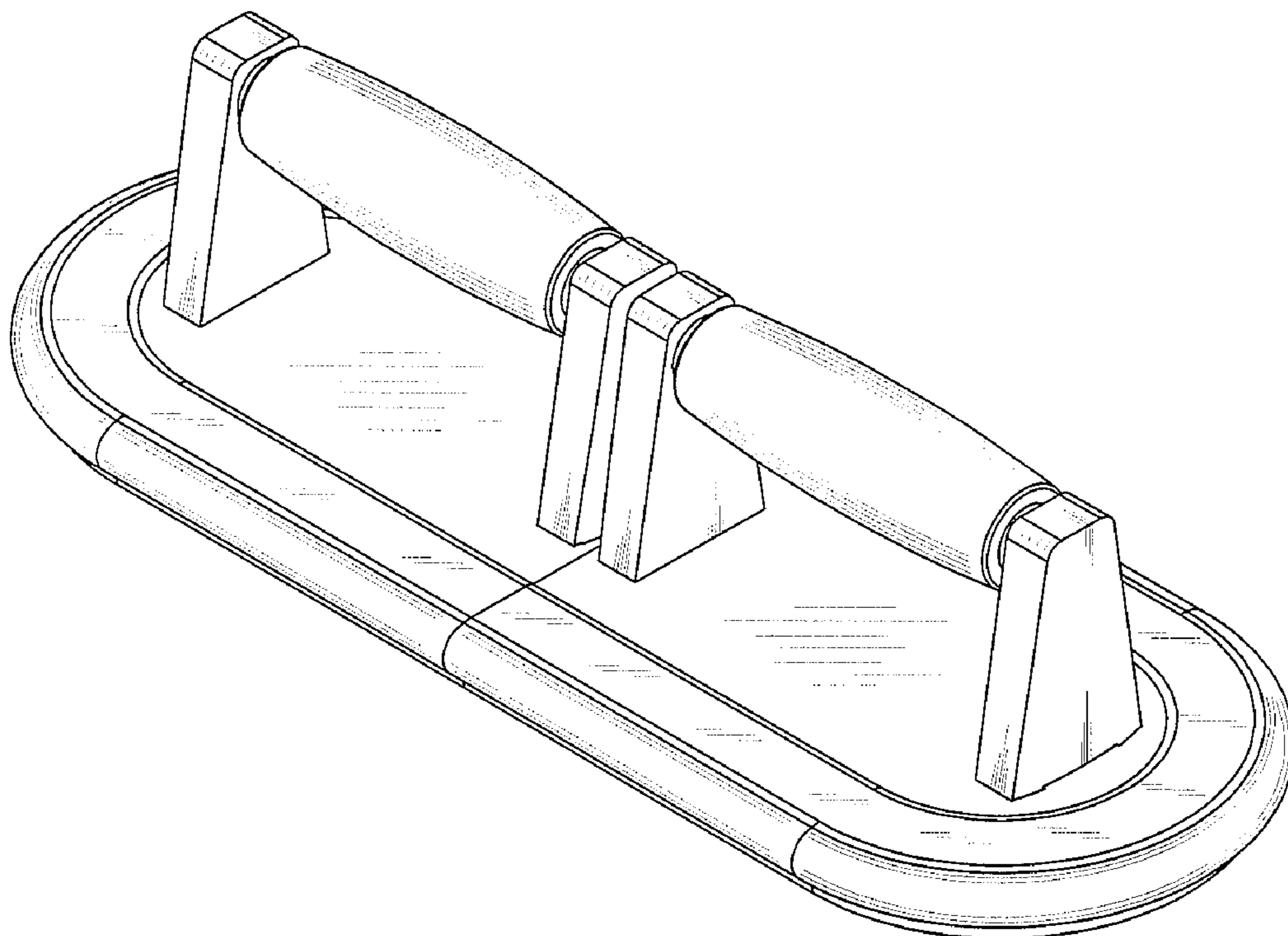
FIG. 5 is a right side elevational view thereof;

FIG. 6 is a top plan view thereof; and,

FIG. 7 is a bottom plan view thereof.

Portions of my new design shown in broken lines form no part of the claimed design.

**1 Claim, 7 Drawing Sheets**



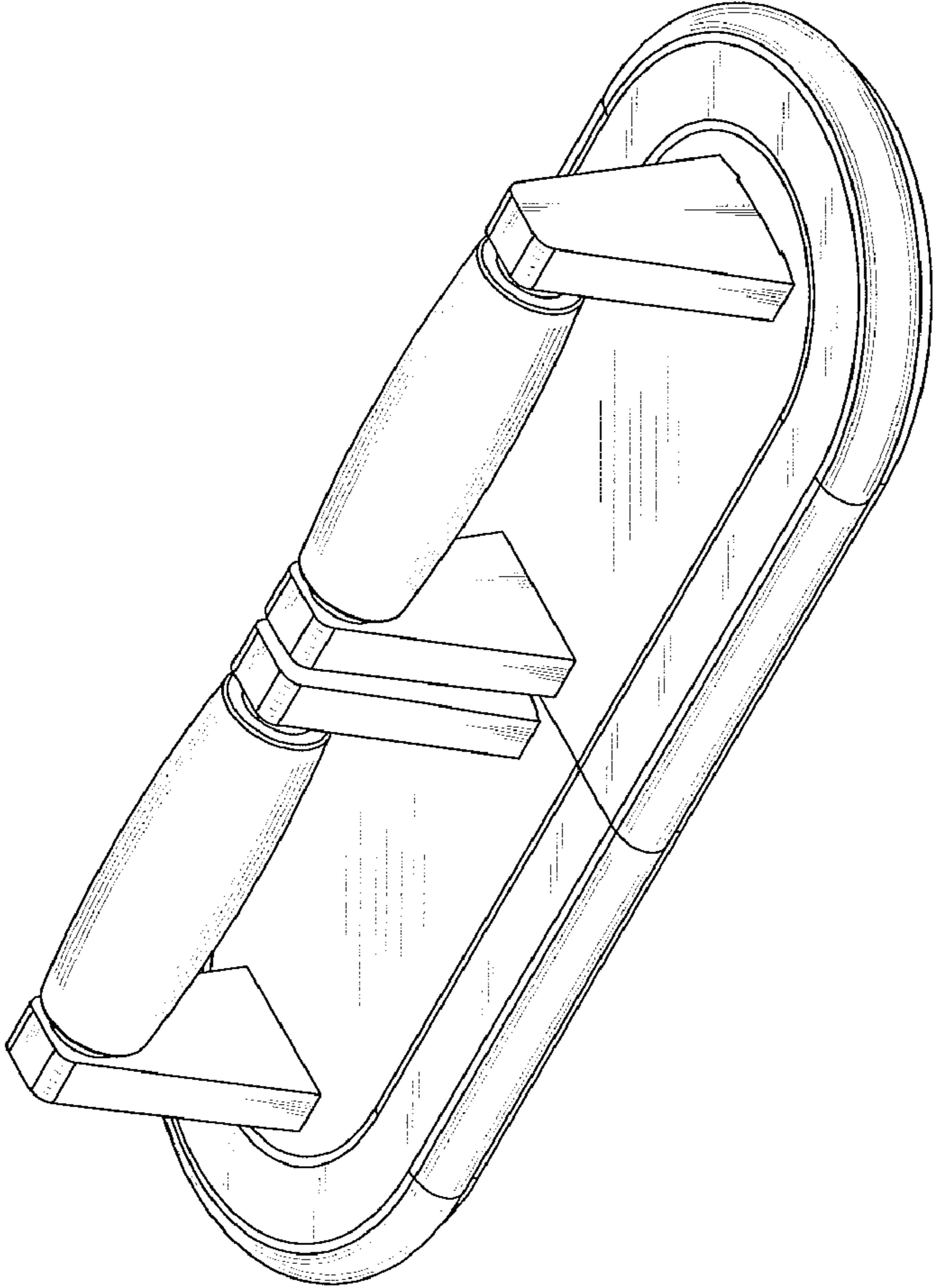


FIG. 1

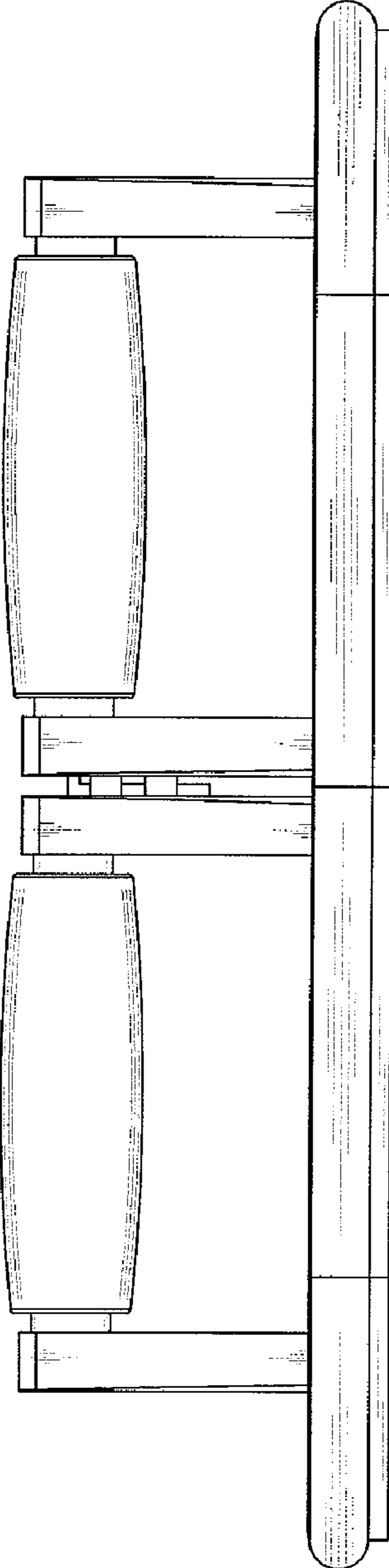


FIG. 2

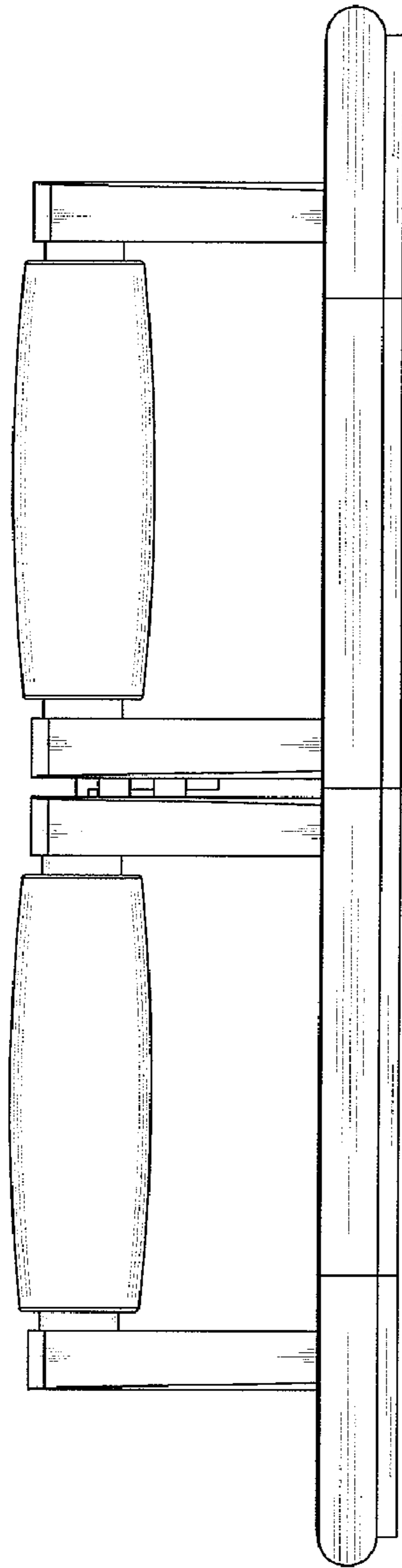


FIG. 3

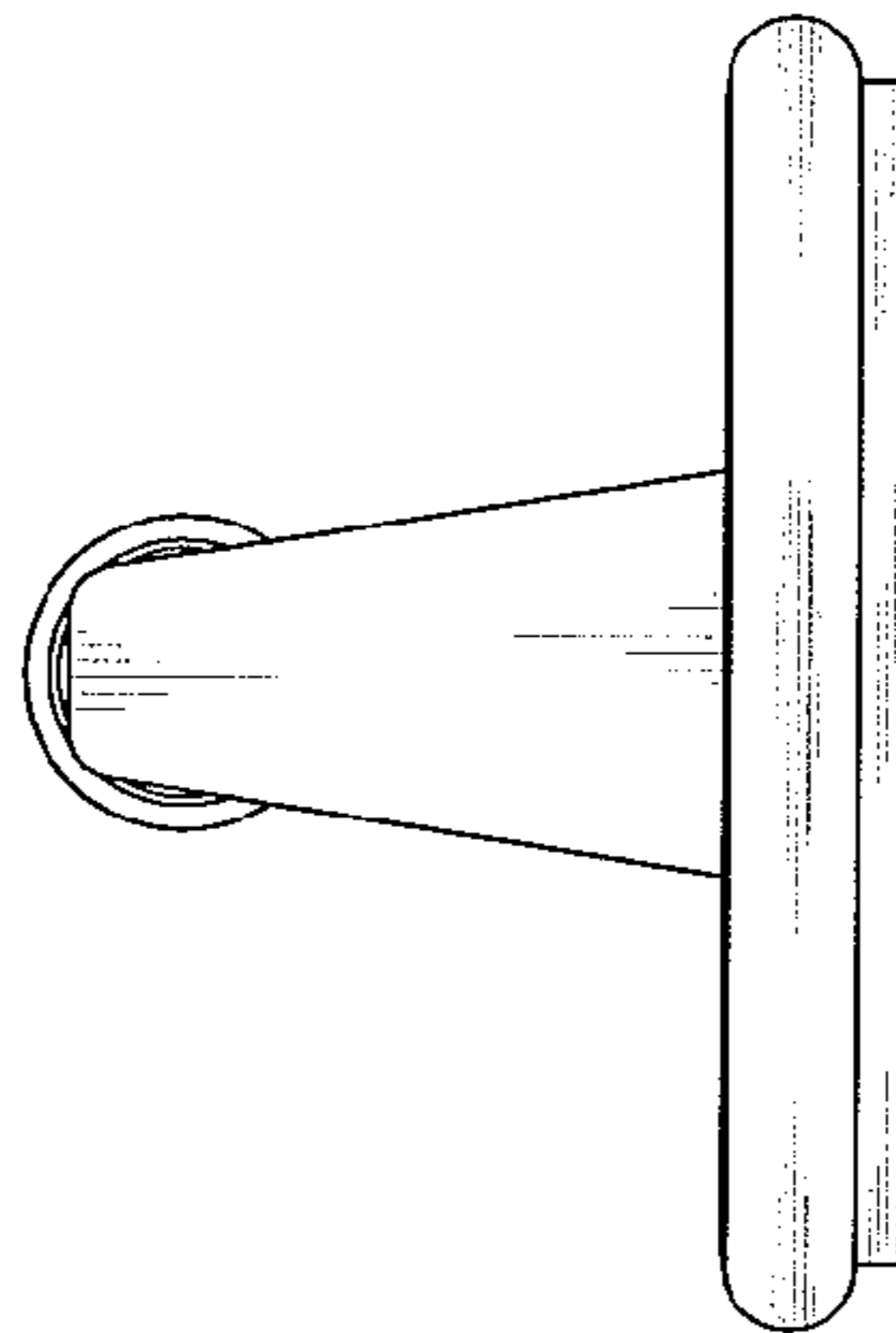


FIG. 4

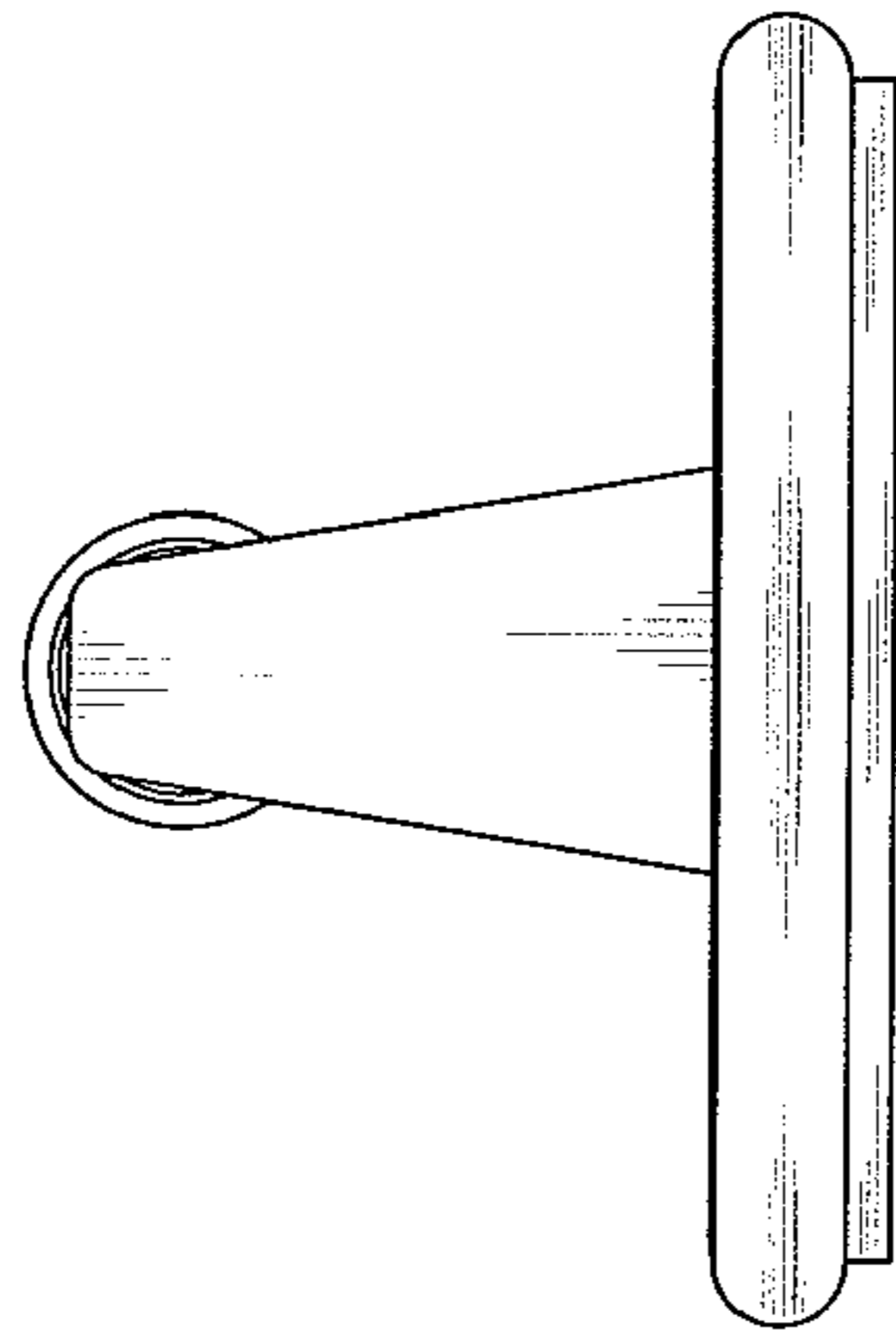


FIG. 5

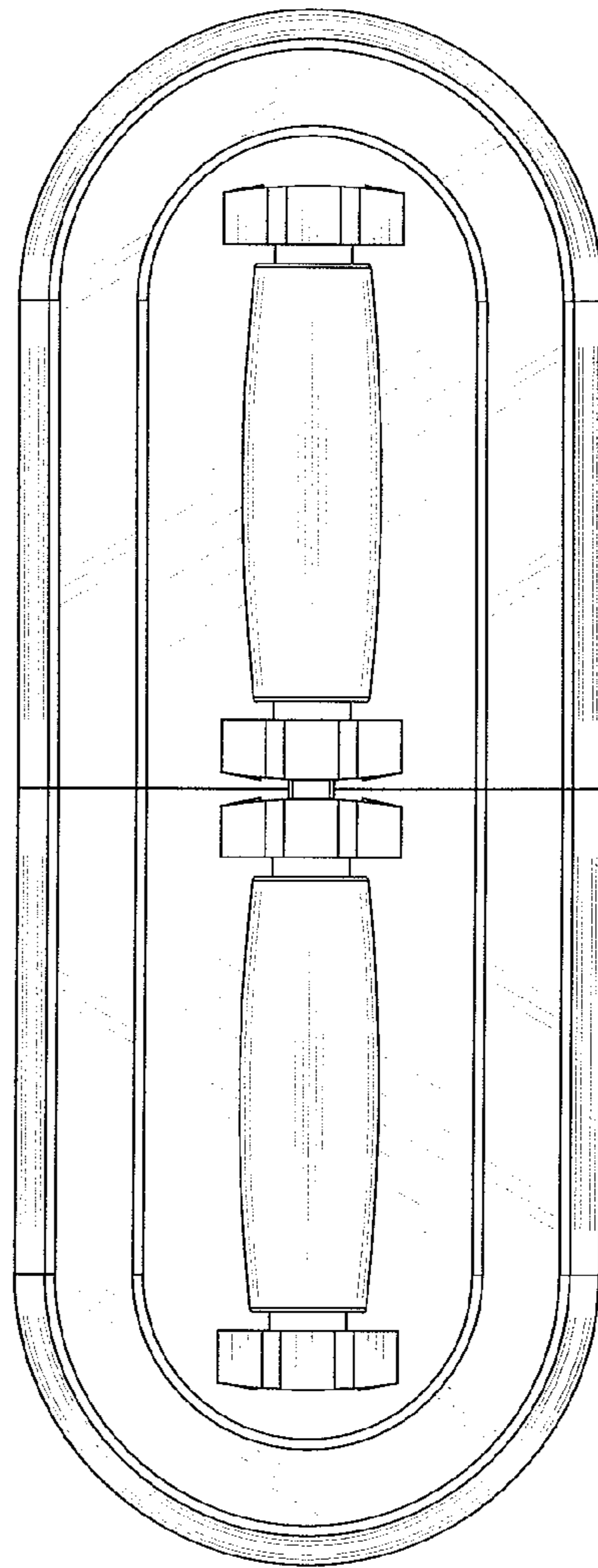


FIG. 6

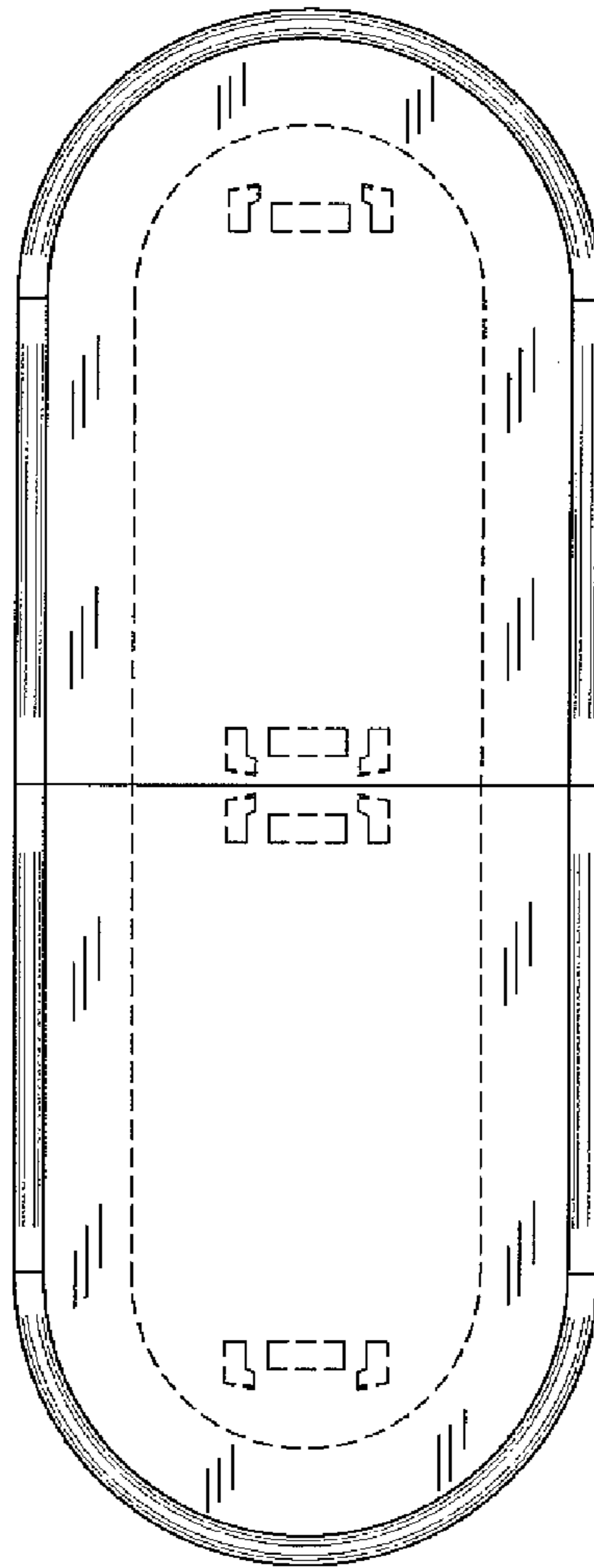


FIG. 7