



US00D662995S

(12) **United States Design Patent**
Hara et al.

(10) **Patent No.:** **US D662,995 S**
(45) **Date of Patent:** **** Jul. 3, 2012**

(54) **PISTOL-SHAPED TOY**

(56) **References Cited**

(75) Inventors: **Noboru Hara**, Tokyo (JP); **Takamichi Murayama**, Tokyo (JP); **Reina Kukutsu**, Tokyo (JP); **Takaaki Utsunomiya**, Tokyo (JP); **Takashi Kunita**, Tokyo (JP)

U.S. PATENT DOCUMENTS

202,742	A	*	4/1878	Mohr	446/401
288,272	A	*	11/1883	Steele	446/401
D297,345	S	*	8/1988	Hartfelder	D22/104
D312,672	S	*	12/1990	Arnott	D21/574

* cited by examiner

(73) Assignee: **Bandai Co., Ltd.**, Tokyo (JP)

Primary Examiner — Cynthia M Chin

(**) Term: **14 Years**

(74) *Attorney, Agent, or Firm* — Rabin & Berdo, PC

(21) Appl. No.: **29/371,567**

(57) **CLAIM**

(22) Filed: **Apr. 26, 2011**

The ornamental design for a pistol-shaped toy, as shown and described.

(30) **Foreign Application Priority Data**

DESCRIPTION

Nov. 26, 2010 (JP) 2010-028321

(51) **LOC (9) Cl.** **21-01**

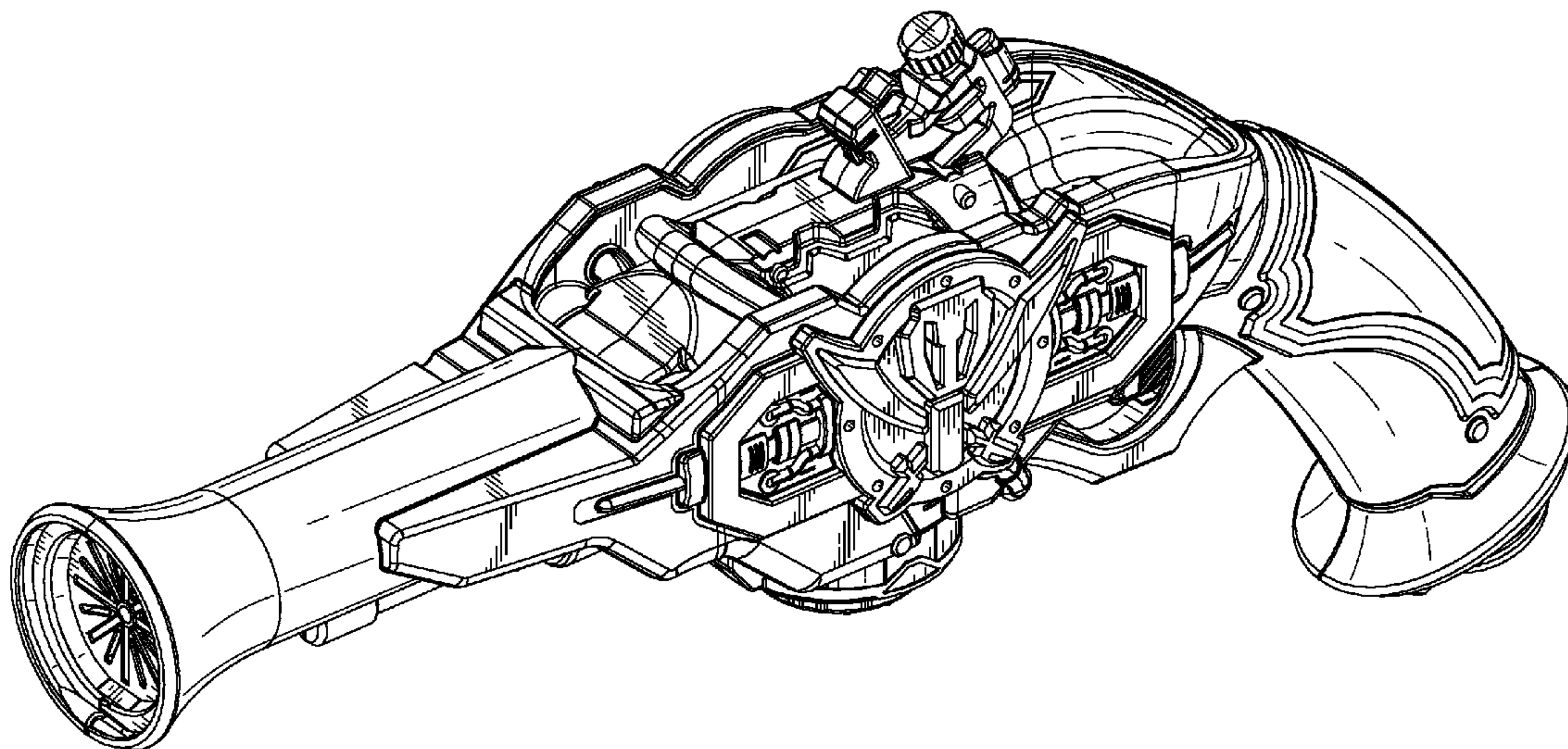
(52) **U.S. Cl.** **D21/574**

(58) **Field of Classification Search** D21/333,
D21/401, 461, 567, 568, 570-575; D14/418;
D22/100, 101, 103, 104, 105, 108-110; 124/16,
124/26, 27, 28, 29, 54, 73-77; 222/78, 79;
42/54, 57, 58; 446/23, 182, 192, 401, 403,
446/405-407, 473, 475

FIG. 1 is a front view of the pistol-shaped toy;
FIG. 2 is a rear view thereof;
FIG. 3 is a right side view thereof;
FIG. 4 is a left side view thereof;
FIG. 5 is a top view thereof;
FIG. 6 is a bottom view thereof;
FIG. 7 is a perspective view thereof; and,
FIG. 8 is another perspective view thereof.

See application file for complete search history.

1 Claim, 8 Drawing Sheets



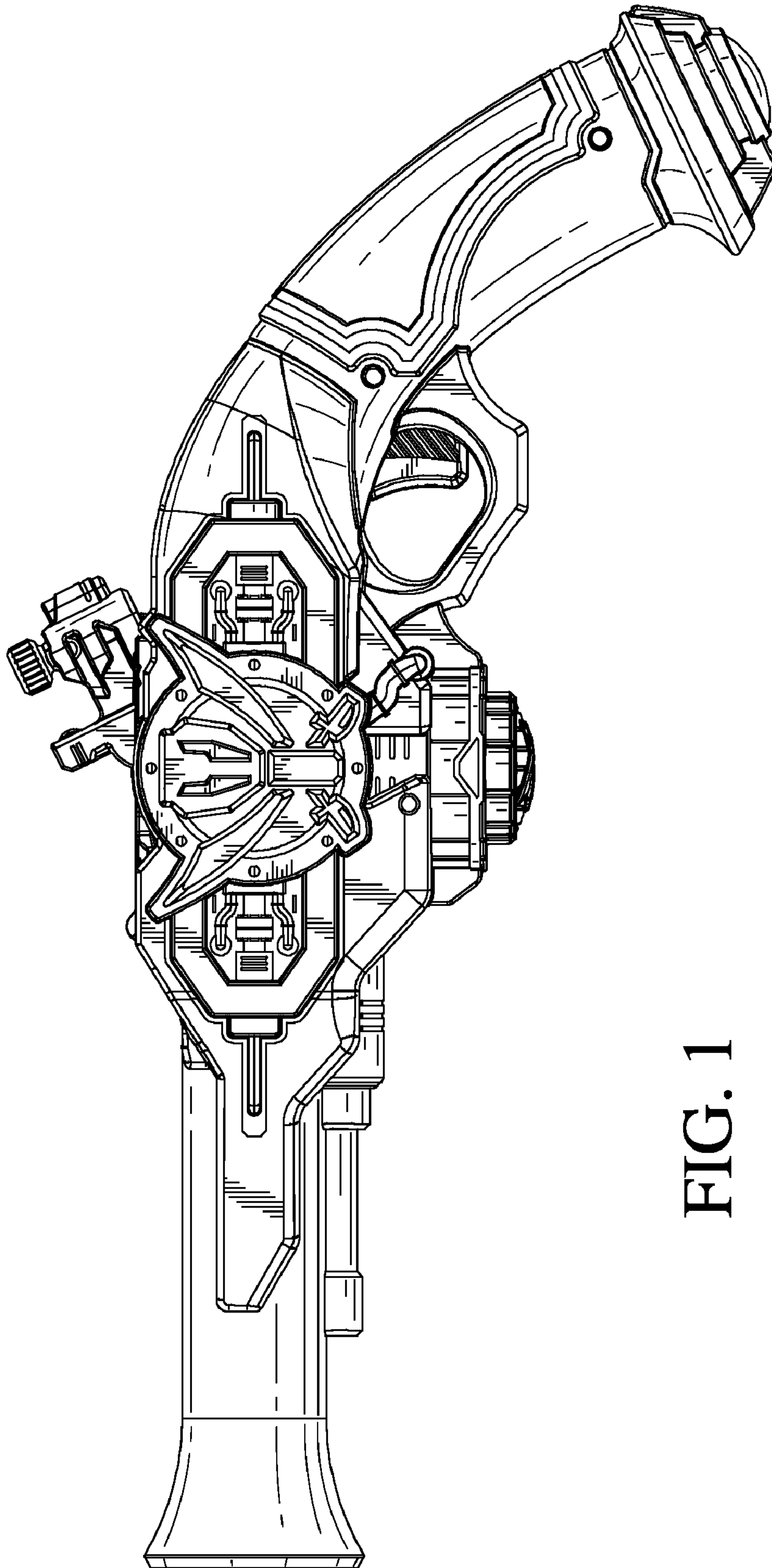


FIG. 1

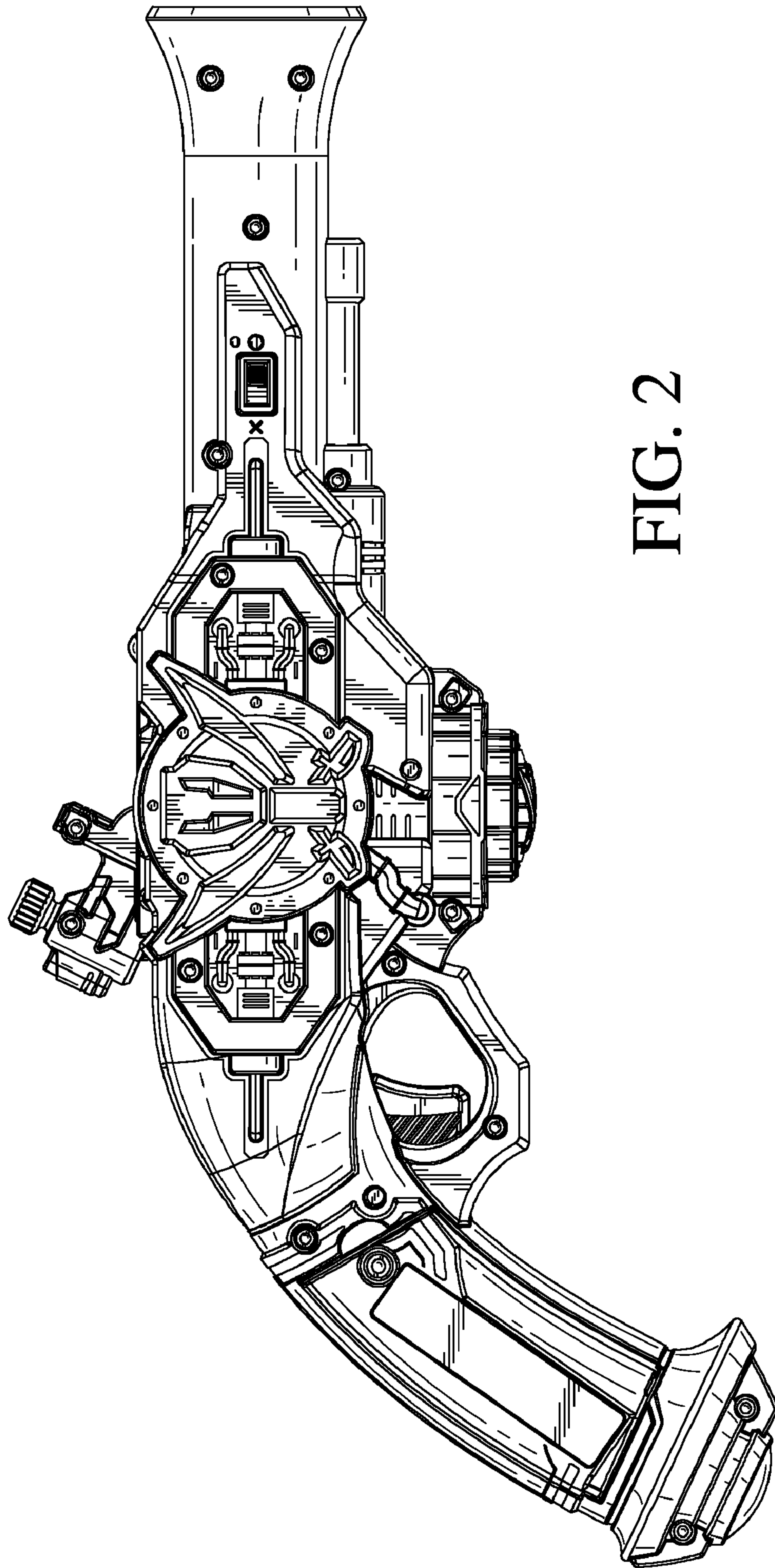


FIG. 2

FIG. 3

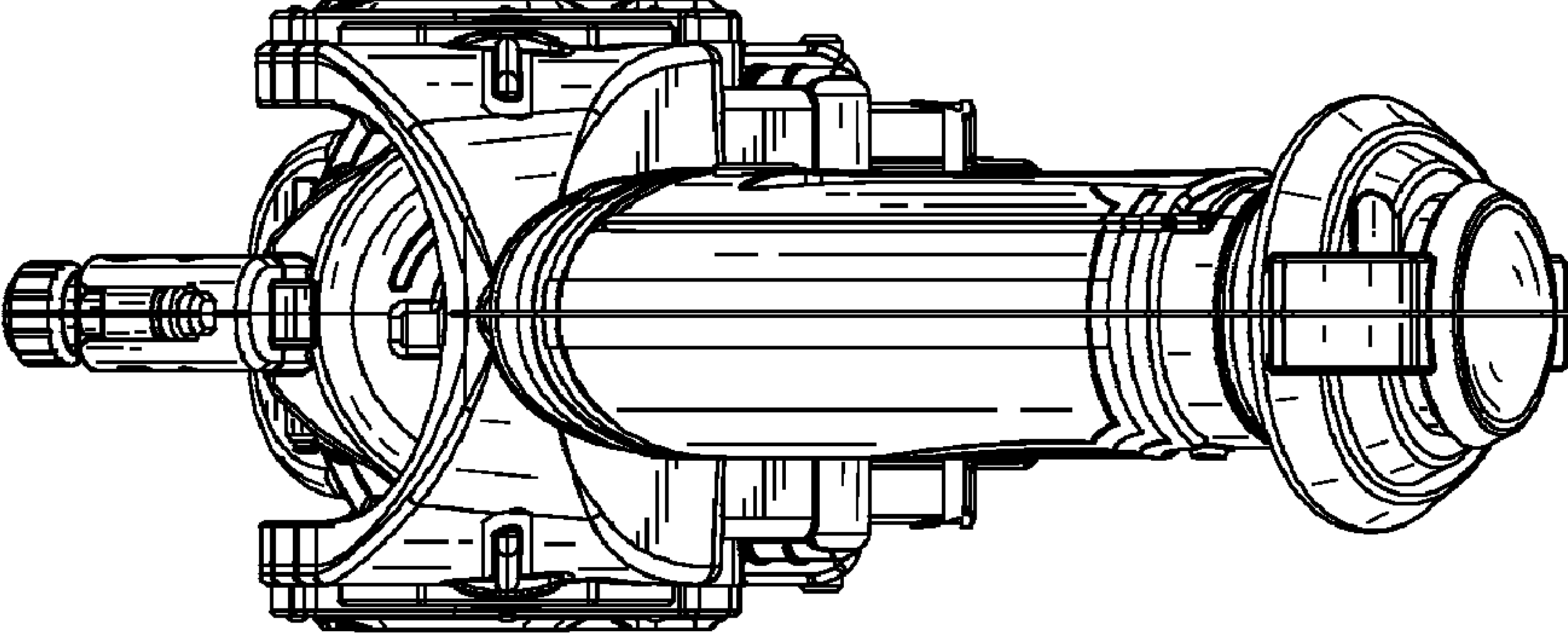
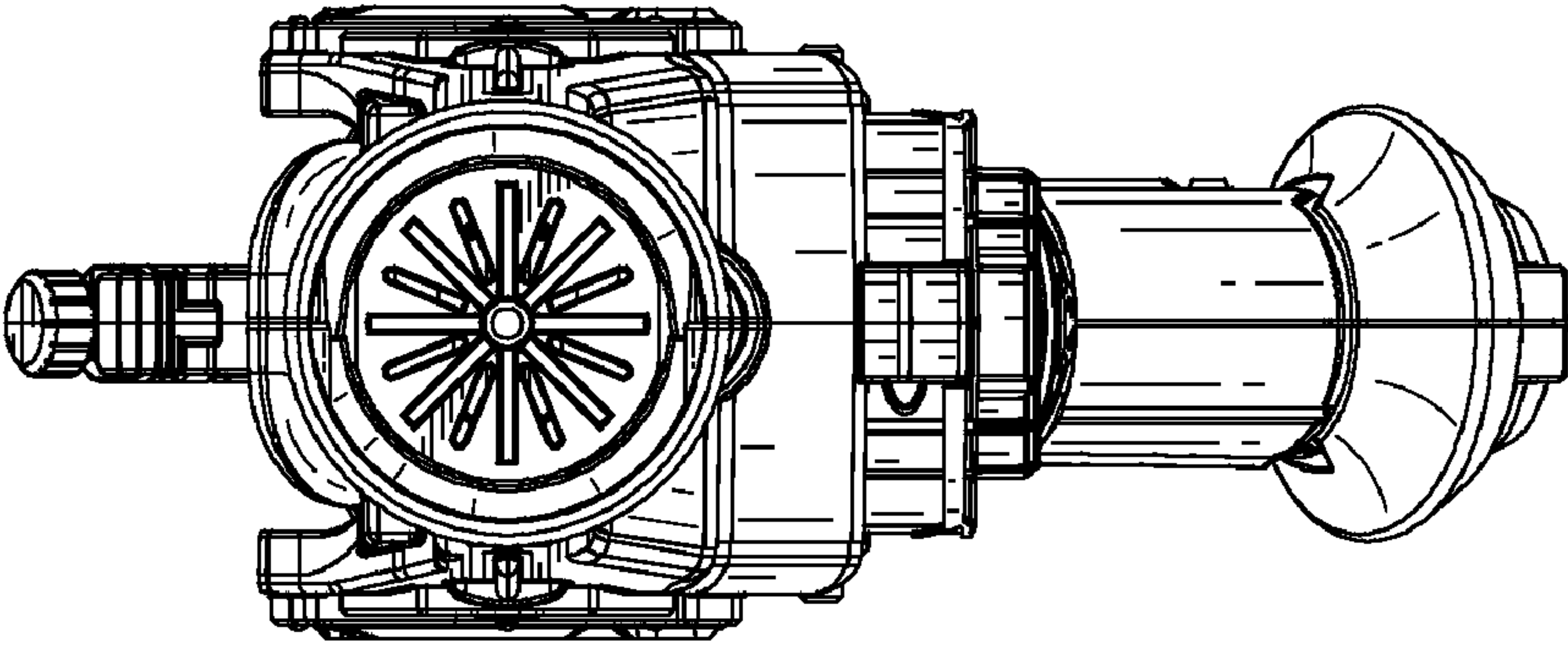


FIG. 4



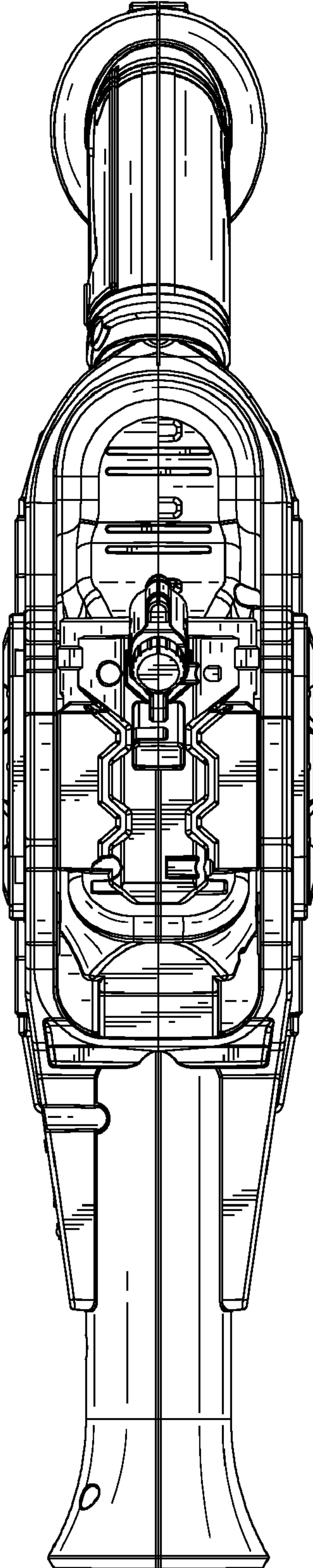


FIG. 5

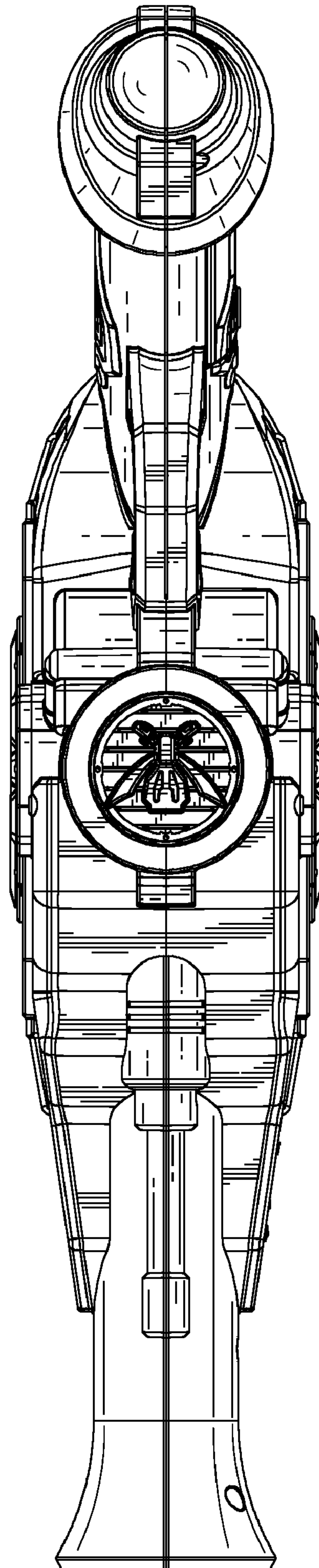


FIG. 6

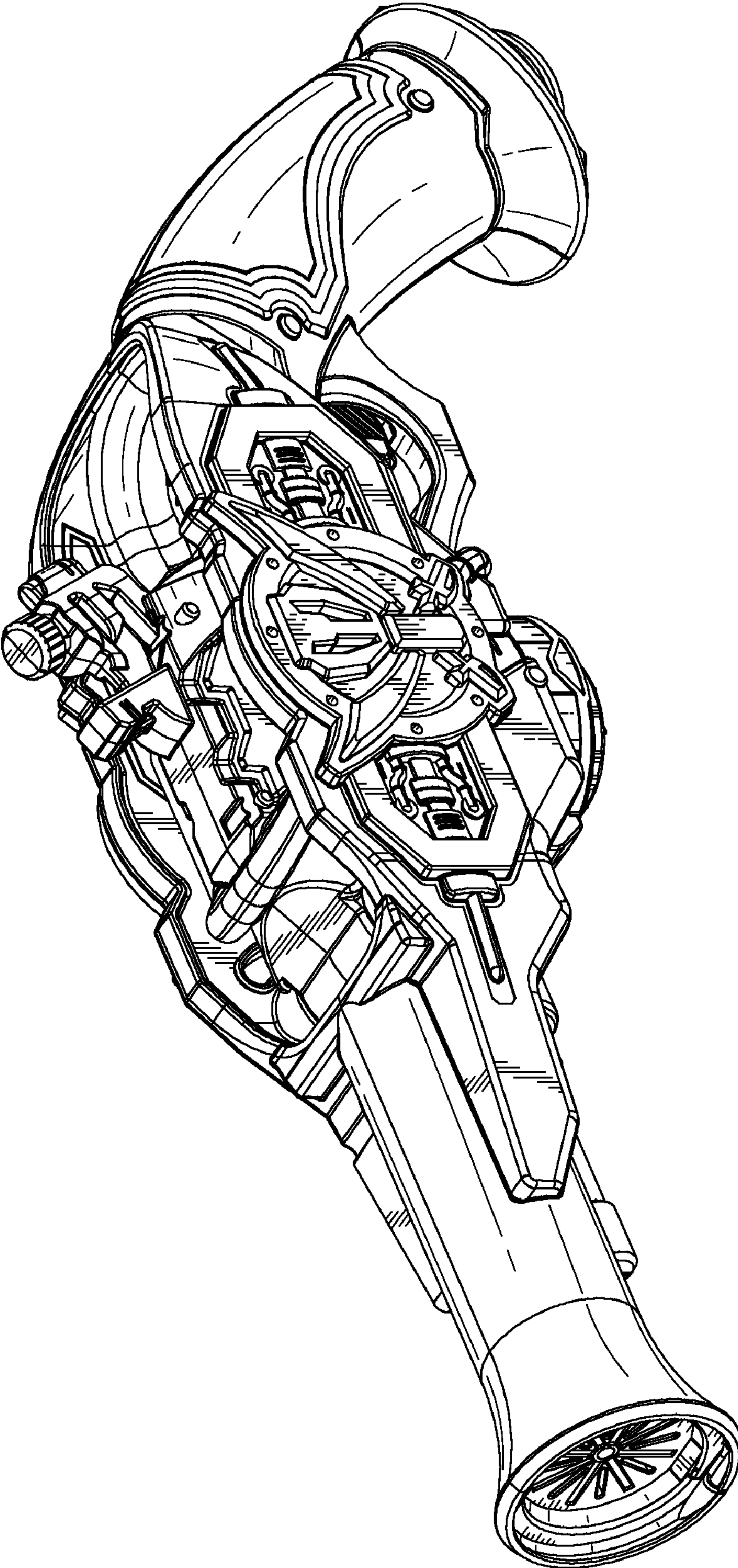


FIG. 7

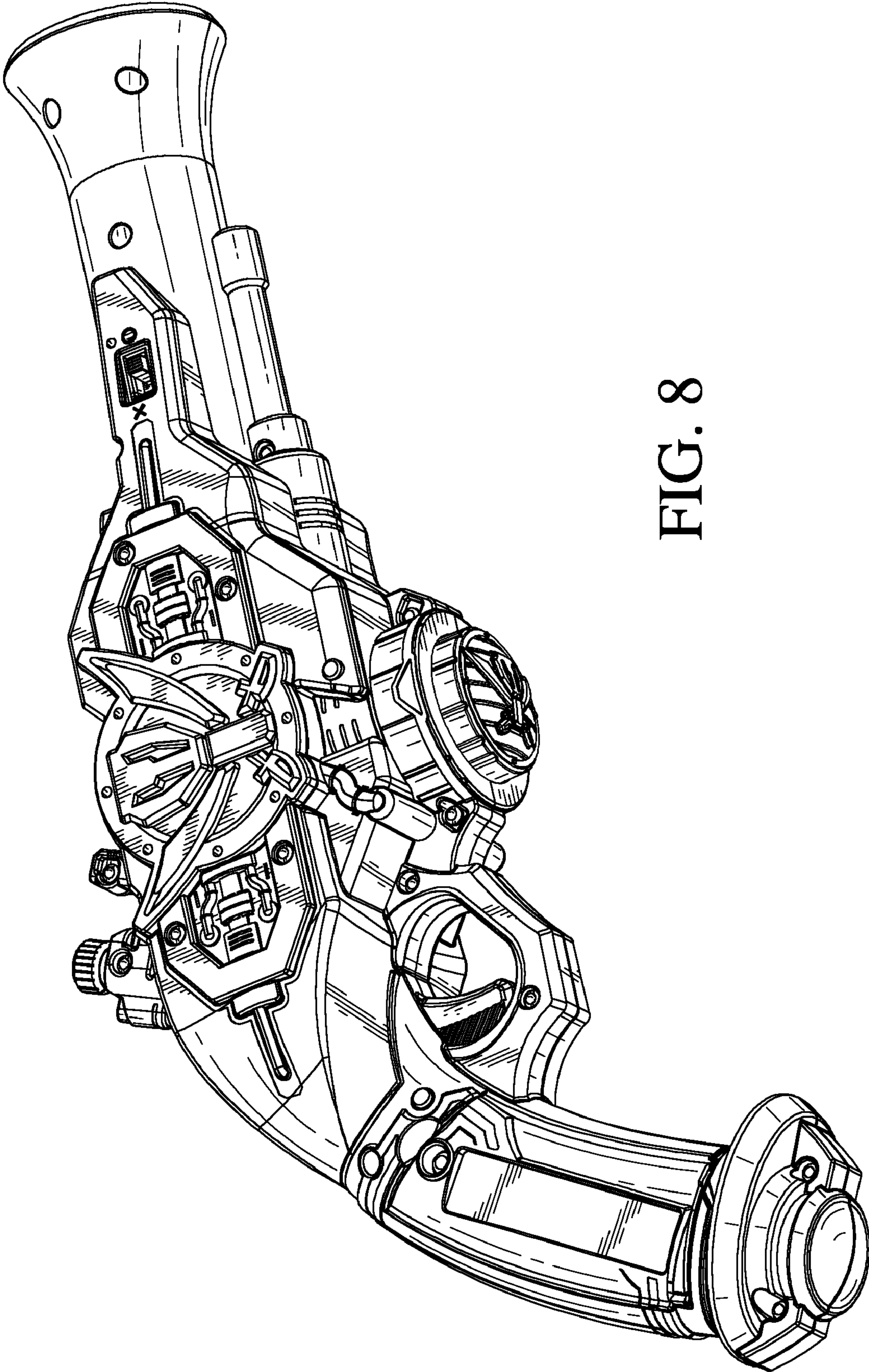


FIG. 8