

US00D662992S

(12) **United States Design Patent**
Hernandez

(10) **Patent No.:** **US D662,992 S**

(45) **Date of Patent:** **** Jul. 3, 2012**

(54) **PARKING SPACE DISPLAY PANEL**

(56) **References Cited**

(76) Inventor: **Arturo Echanove Hernandez**, Mexico
City (MX)

(**) Term: **14 Years**

(21) Appl. No.: **29/404,773**

(22) Filed: **Oct. 25, 2011**

(30) **Foreign Application Priority Data**

Apr. 26, 2011 (MX) MX/F/2011/001287

(51) **LOC (9) Cl.** **20-03**

(52) **U.S. Cl.** **D20/41; D20/19**

(58) **Field of Classification Search** D20/10,
D20/17, 19, 39-42, 99; 40/446, 538, 541-543,
40/580, 584, 585, 607.01, 607.1, 607.08,
40/607.11, 612; D10/104.1, 109.1, 109.2,
D10/111, 113.4; 116/63 R; 362/812

See application file for complete search history.

U.S. PATENT DOCUMENTS

1,908,360	A *	5/1933	Hunt	40/607.01
D139,032	S *	10/1944	Wandell	D10/111
D207,931	S *	6/1967	Huret	D10/111
D276,736	S *	12/1984	Maya et al.	D20/17
5,819,455	A *	10/1998	Tsuda	40/580
D630,116	S *	1/2011	Morales	D10/109.1
2001/0039750	A1 *	11/2001	Venegas, Jr.	40/607
2009/0183405	A1 *	7/2009	Wilkes	40/543

* cited by examiner

Primary Examiner — Mary Ann Calabrese

(74) *Attorney, Agent, or Firm* — Brooks Kushman P.C.

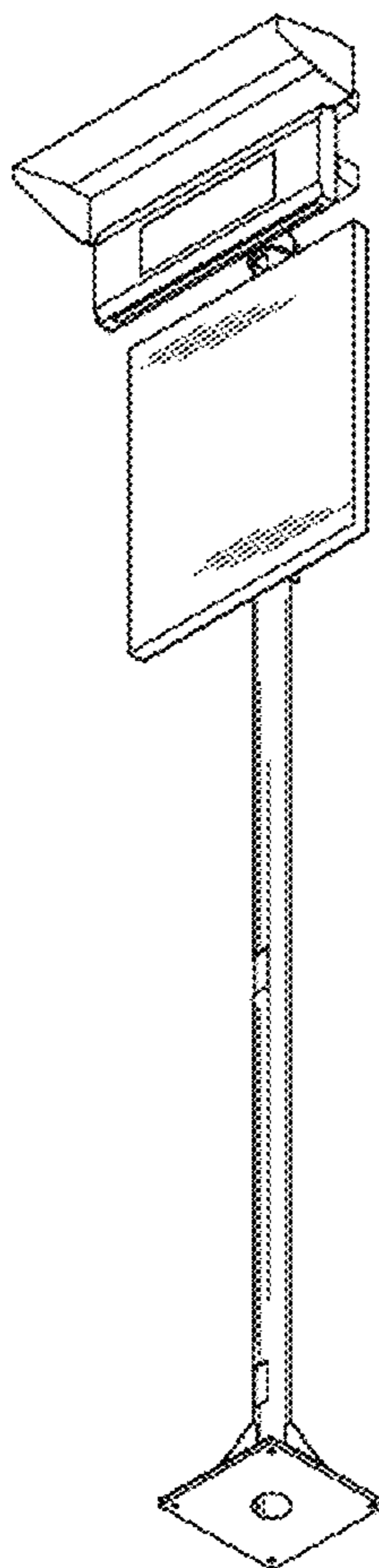
(57) **CLAIM**

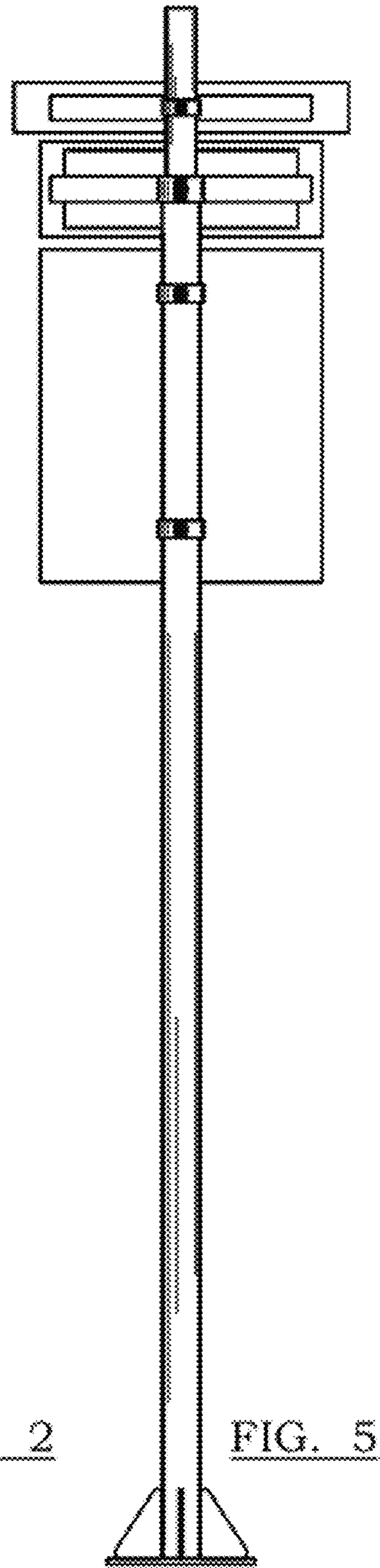
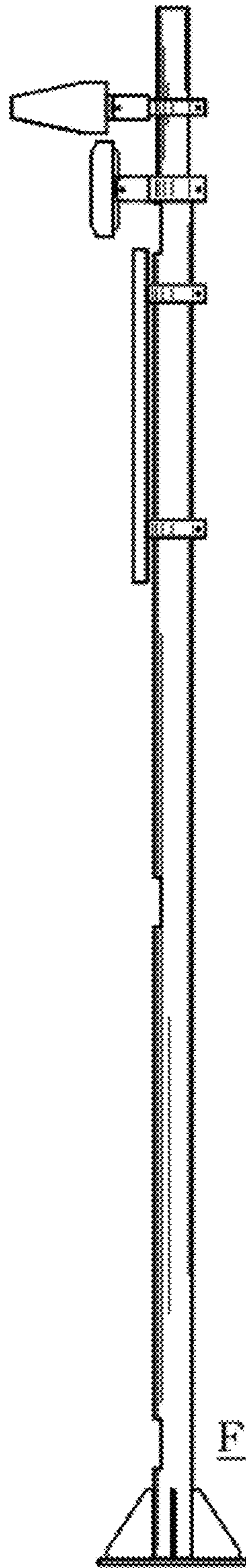
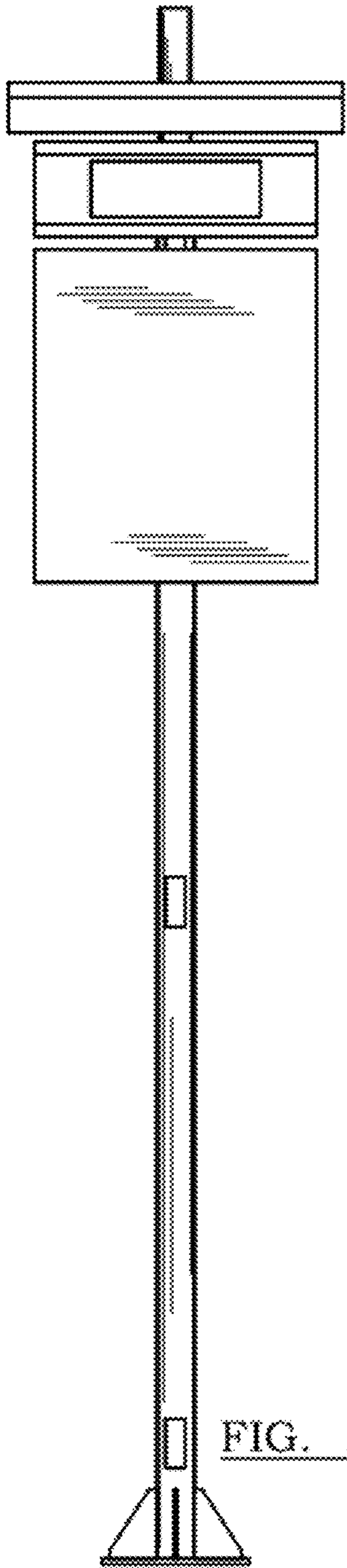
The ornamental design for a parking space display panel, as shown and described.

DESCRIPTION

FIG. 1 is a front side view of the display panel;
FIG. 2 is a right side view of the display panel of FIG. 1 the left side is a mirror image thereof;
FIG. 3 is a perspective view of the display panel of FIG. 1;
FIG. 4 is a top plan view of the display panel of FIG. 1;
FIG. 5 is a rear side view of the display panel of FIG. 1; and,
FIG. 6 is a bottom plan view of FIG. 1.

1 Claim, 2 Drawing Sheets





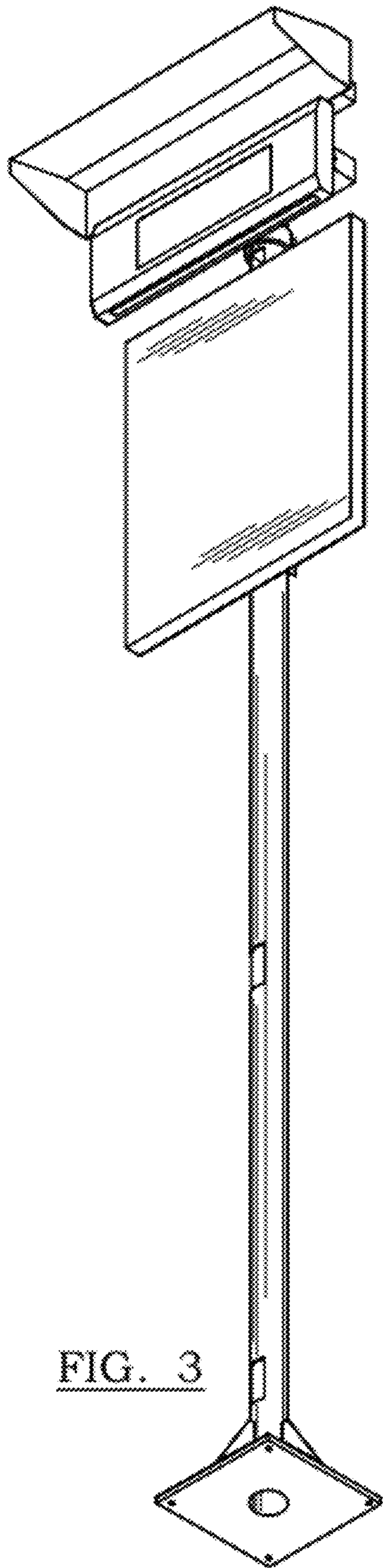


FIG. 3

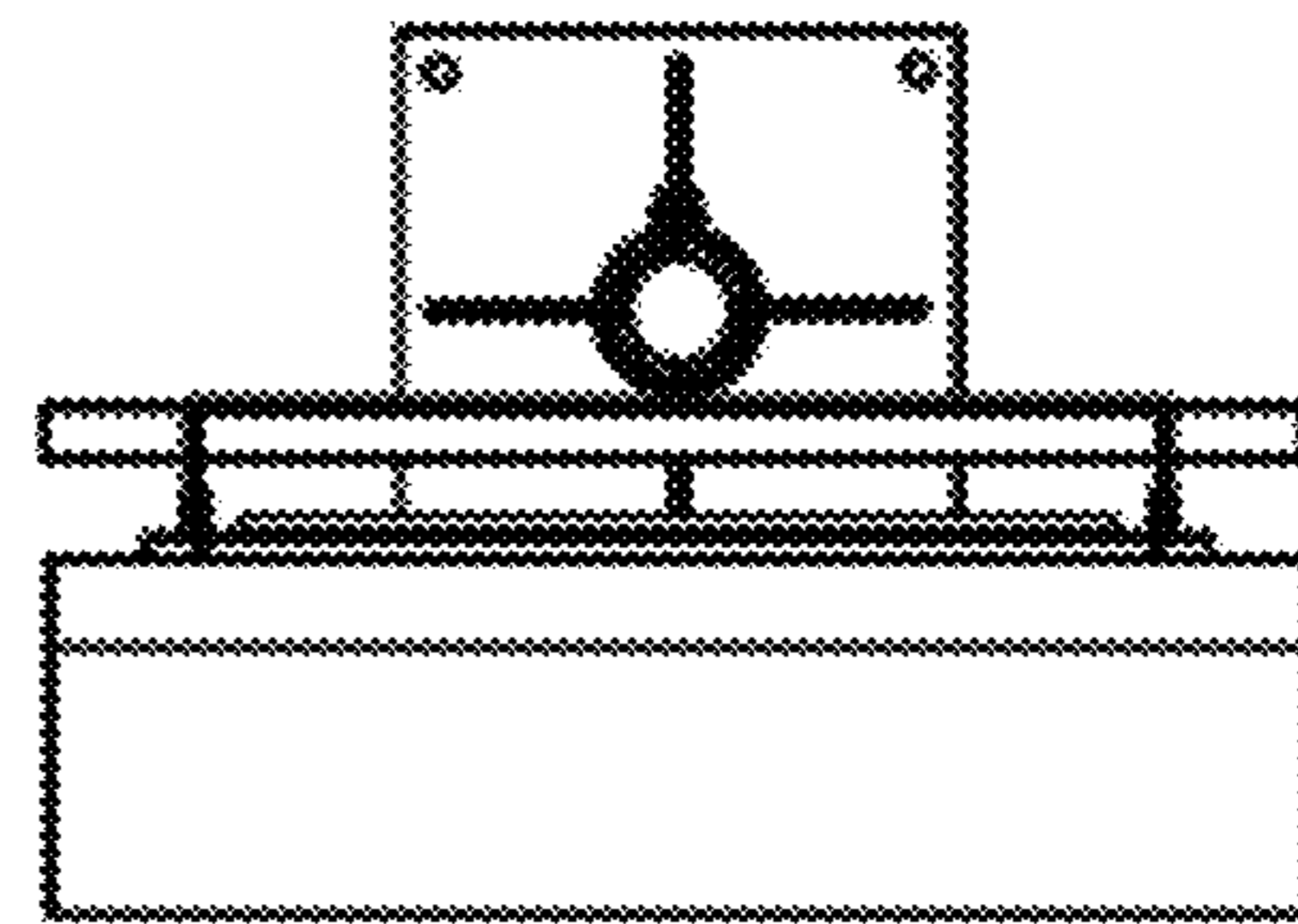


FIG. 4

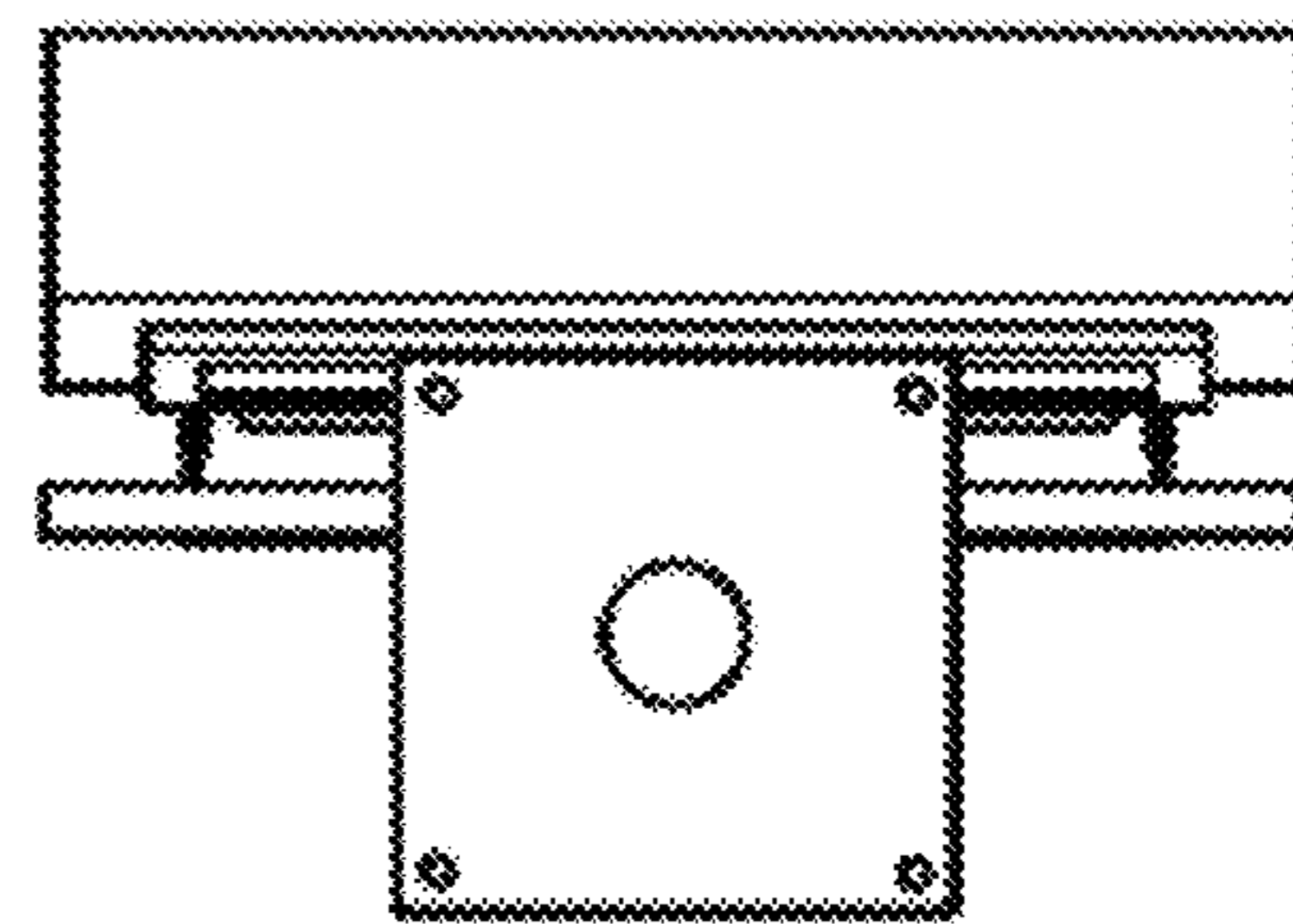


FIG. 6