



US00D662989S

(12) **United States Design Patent**
Vulgamott et al.

(10) **Patent No.:** **US D662,989 S**
(45) **Date of Patent:** **** Jul. 3, 2012**

(54) **PLANT TAG**

(75) Inventors: **Rick Vulgamott**, Brighton, MI (US);
Daniel T. Smith, Battle Creek, MI (US)

(73) Assignee: **Multi-Packaging Solutions, Inc.**,
Lansing, MI (US)

(**) Term: **14 Years**

(21) Appl. No.: **29/393,692**

(22) Filed: **Jun. 8, 2011**

(51) **LOC (9) Cl.** **19-08**

(52) **U.S. Cl.** **D20/22**

(58) **Field of Classification Search** D20/10,
D20/19, 22-28, 40, 99; 40/5, 124.01-124.09,
40/124.11-124.19, 124.191, 299.01, 305,
40/315, 360, 645, 658; D8/1; D19/1, 9
See application file for complete search history.

(56) **References Cited**

U.S. PATENT DOCUMENTS

334,981	A *	1/1886	Rampe, Jr.	40/658
1,430,641	A	10/1922	Ginn	
1,446,841	A	2/1923	Dietsche	
1,557,332	A	10/1925	Robbins	
1,984,589	A	12/1931	Ludy	
1,840,707	A	1/1932	Ensko	
1,896,695	A	2/1933	Borovicka	
1,949,903	A	3/1934	Fales	
2,192,514	A	3/1940	Carleton	
2,554,105	A	3/1949	Heinle	
2,669,047	A *	2/1954	Rieger	40/637
2,721,408	A *	10/1955	Harris et al.	40/315
3,098,320	A	7/1963	Estkowski	
3,621,809	A	11/1971	Paxton	
3,775,882	A	12/1973	Wheeler	
D231,714	S *	5/1974	Authur	D20/22
3,946,507	A	3/1976	Fergg et al.	
D243,509	S	3/1977	Wheeler	
4,027,410	A	6/1977	Wheeler	

(Continued)

FOREIGN PATENT DOCUMENTS

GB 2260308 A 4/1993
(Continued)

OTHER PUBLICATIONS

Co-pending U.S. Appl. No. 13/155,705, filed Jun. 8, 2011.
(Continued)

Primary Examiner — Mary Ann Calabrese

(74) *Attorney, Agent, or Firm* — Dobrusin & Thennisch PC

(57) **CLAIM**

The ornamental design for a plant tag, as shown and described.

DESCRIPTION

FIG. 1 is a front view of the plant tag showing my new design, in use located in a container.

FIG. 2 is a perspective view of the plant tag shown in FIG. 1. FIG. 3 is a top elevational view of the plant tag shown in FIG. 2.

FIG. 4 is a front elevational view of the plant tag shown in FIG. 2.

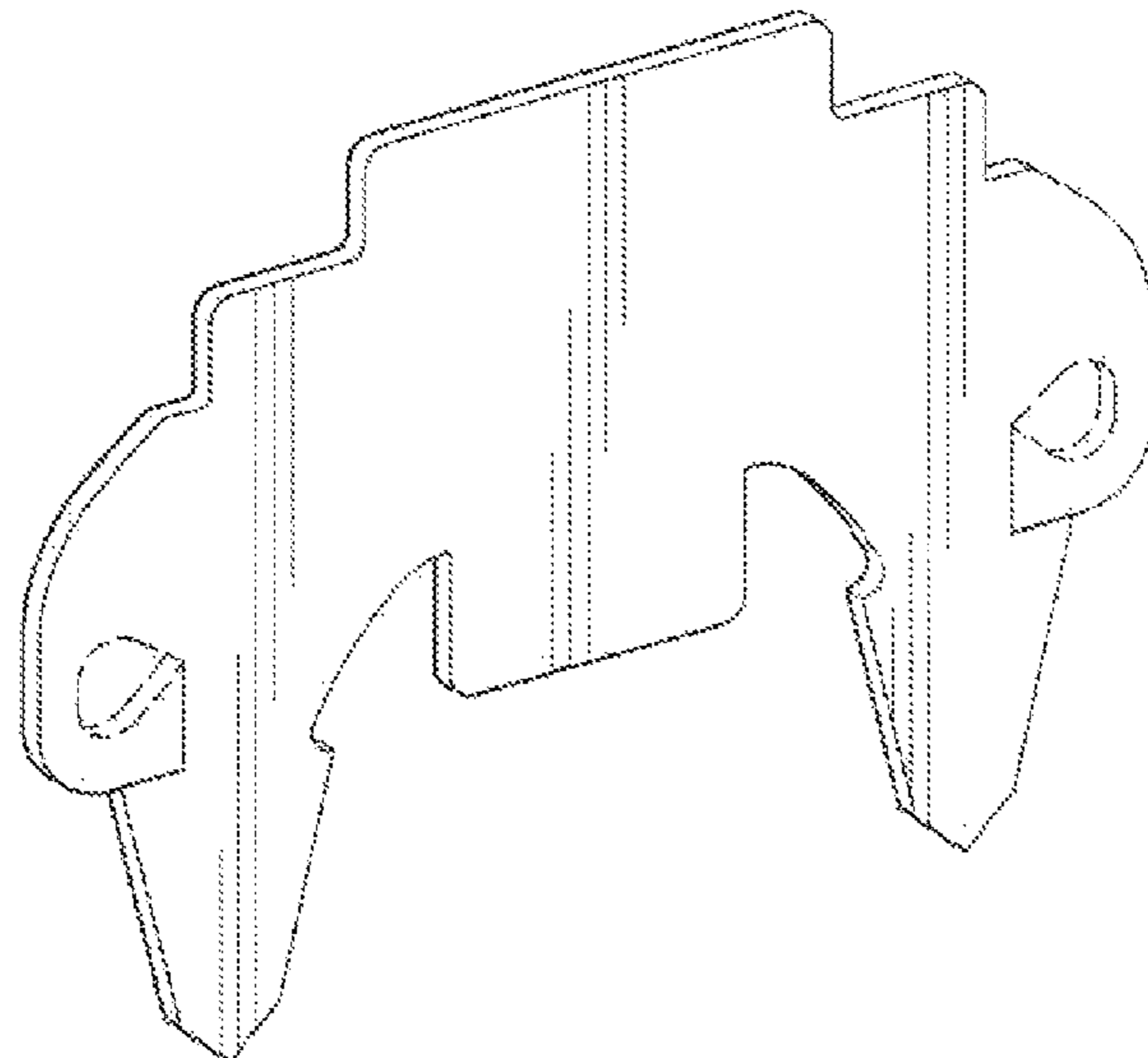
FIG. 5 is a side elevational view of the plant tag shown in FIG. 2, which is a mirror image of the other side.

FIG. 6 is a back elevational view of the plant tag shown in FIG. 2; and,

FIG. 7 is a bottom elevational view of the plant tag shown in FIG. 2.

The broken lines showing environment in the drawings are for illustrative purposes only and form no part of the claimed design.

1 Claim, 2 Drawing Sheets



US D662,989 S

Page 2

U.S. PATENT DOCUMENTS

D253,389 S 11/1979 South, Jr.
4,196,533 A 4/1980 Kamphausen
D311,215 S * 10/1990 Hickmott D20/26
4,972,616 A 11/1990 Doll
D314,493 S 2/1991 Keane
D393,660 S * 4/1998 Gibson D20/22
D398,639 S * 9/1998 Merrick D19/1
D402,863 S 12/1998 Hickmott
D427,639 S * 7/2000 Hickmott D20/22
D428,445 S * 7/2000 Hickmott D20/22
D437,618 S 2/2001 Faulkner
D443,310 S * 6/2001 Faulkner D20/26
6,401,375 B1 6/2002 Hickmott
D520,065 S * 5/2006 Doyle D20/22

7,073,282 B2 * 7/2006 Savagian et al. 40/316
7,263,794 B2 9/2007 Gilbertie
D609,277 S * 2/2010 Gibson et al. D20/40
2005/0223640 A1 10/2005 Hall et al.
2009/0031597 A1 2/2009 Powell et al.

FOREIGN PATENT DOCUMENTS

JP 2003131573 A 5/2003
JP 2007104961 A 4/2007

OTHER PUBLICATIONS

Non-final Office Action, U.S. Appl. No. 13/155,705, mailed Feb. 22, 2012.

* cited by examiner

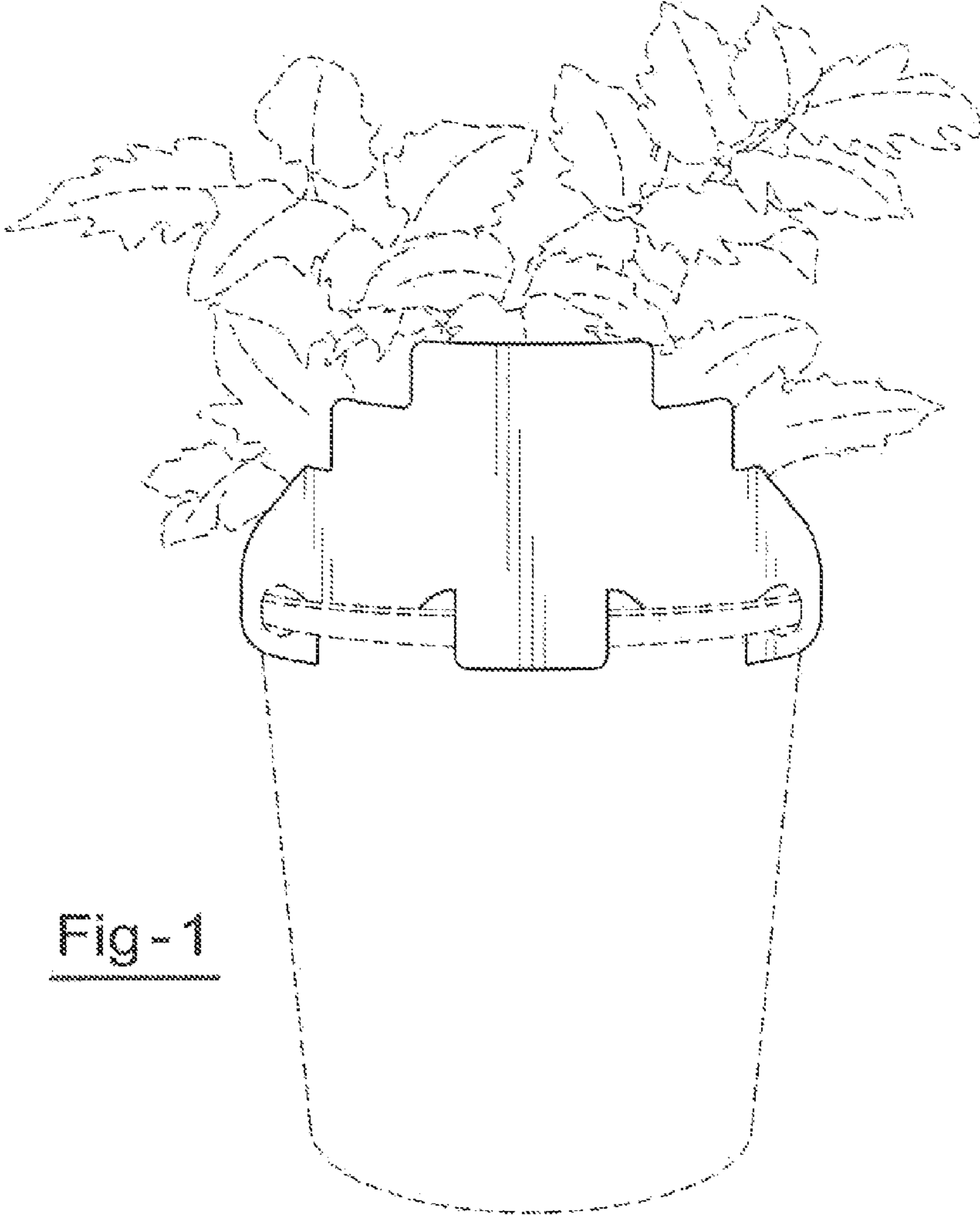


Fig-1

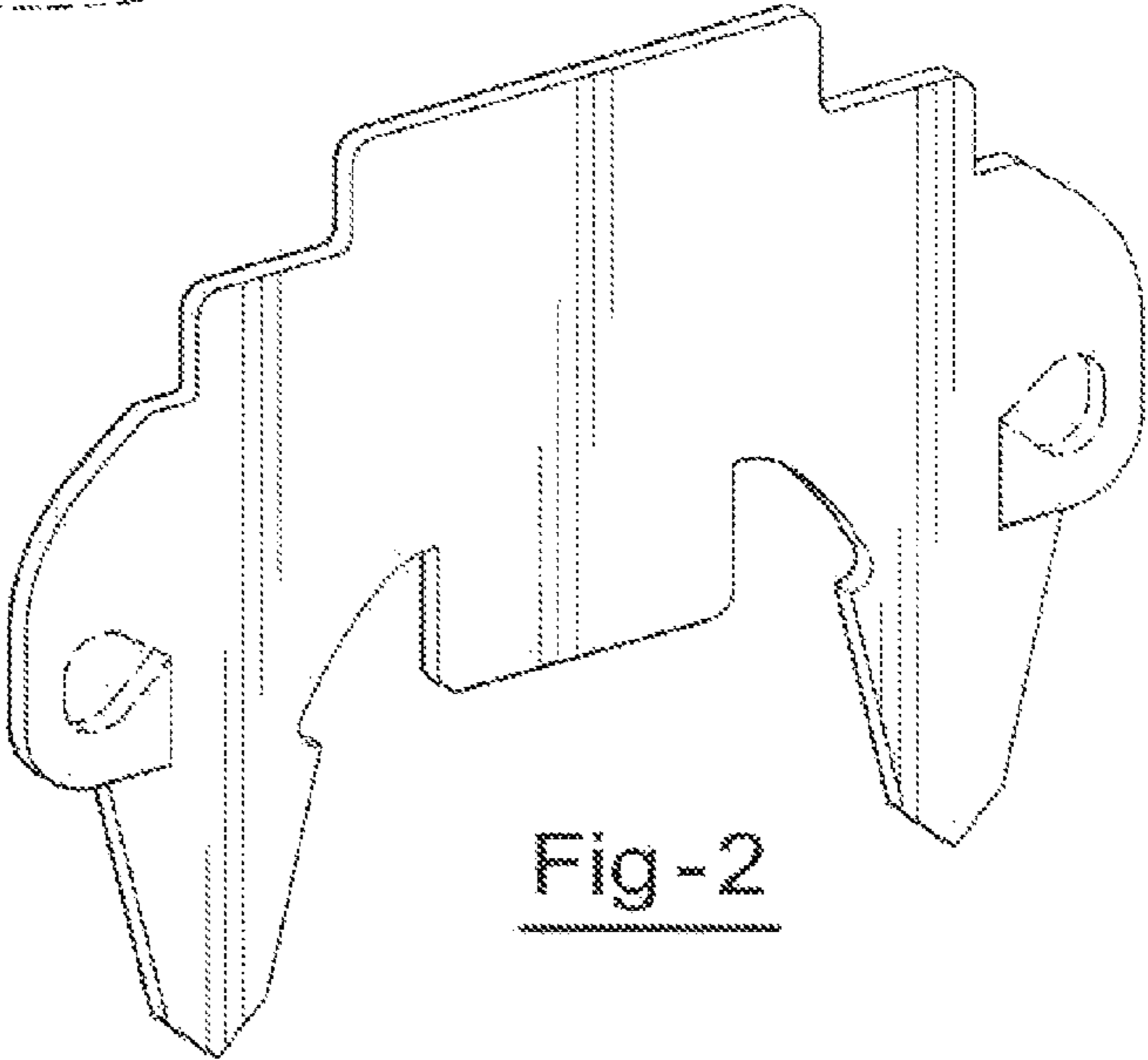


Fig-2

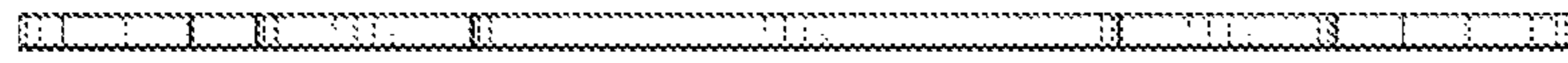


Fig -3

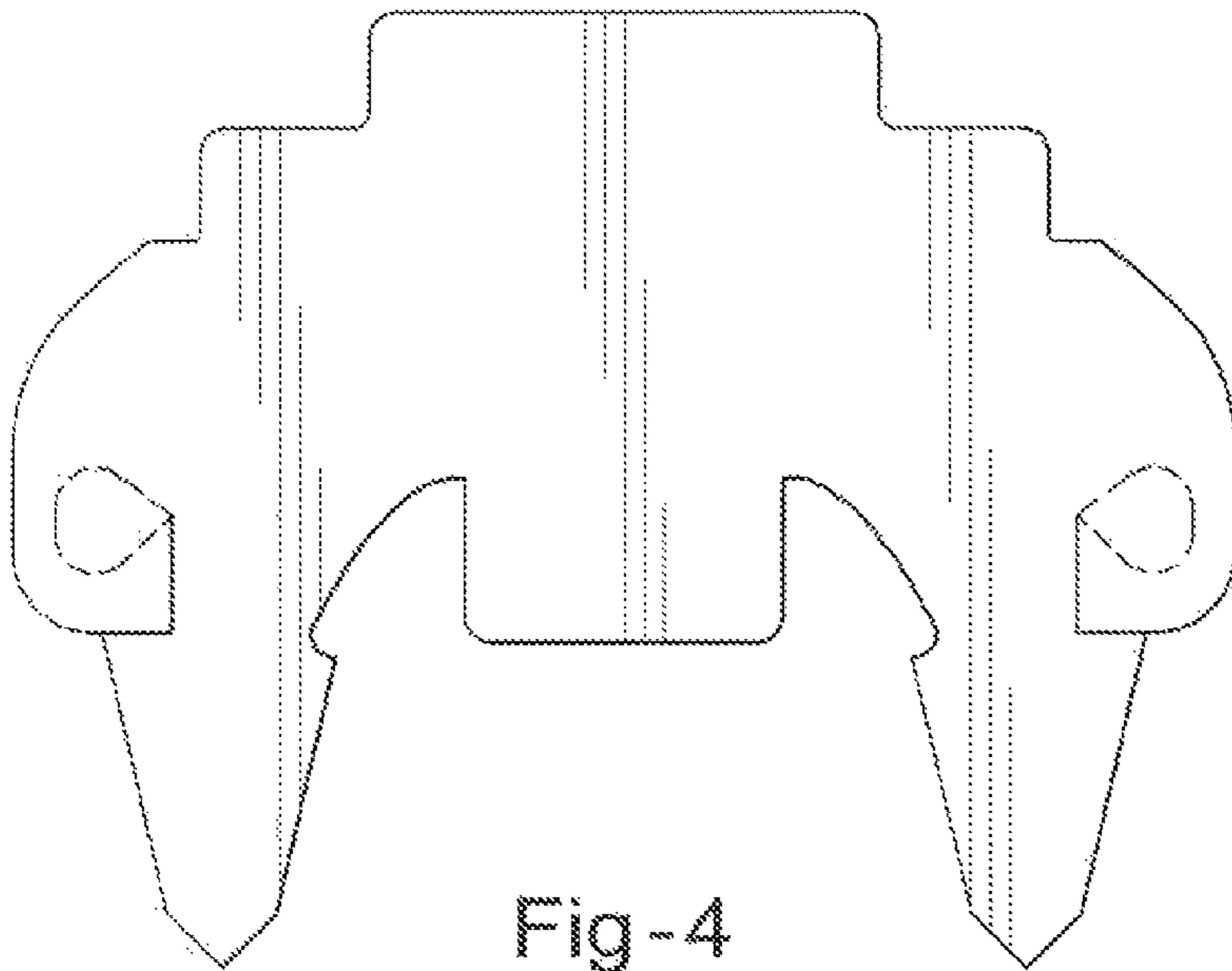


Fig -4

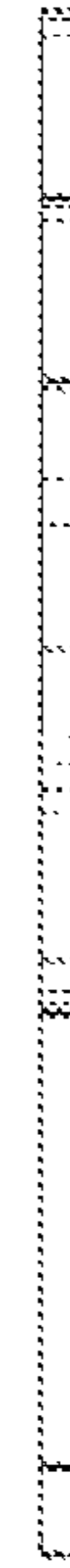


Fig -5

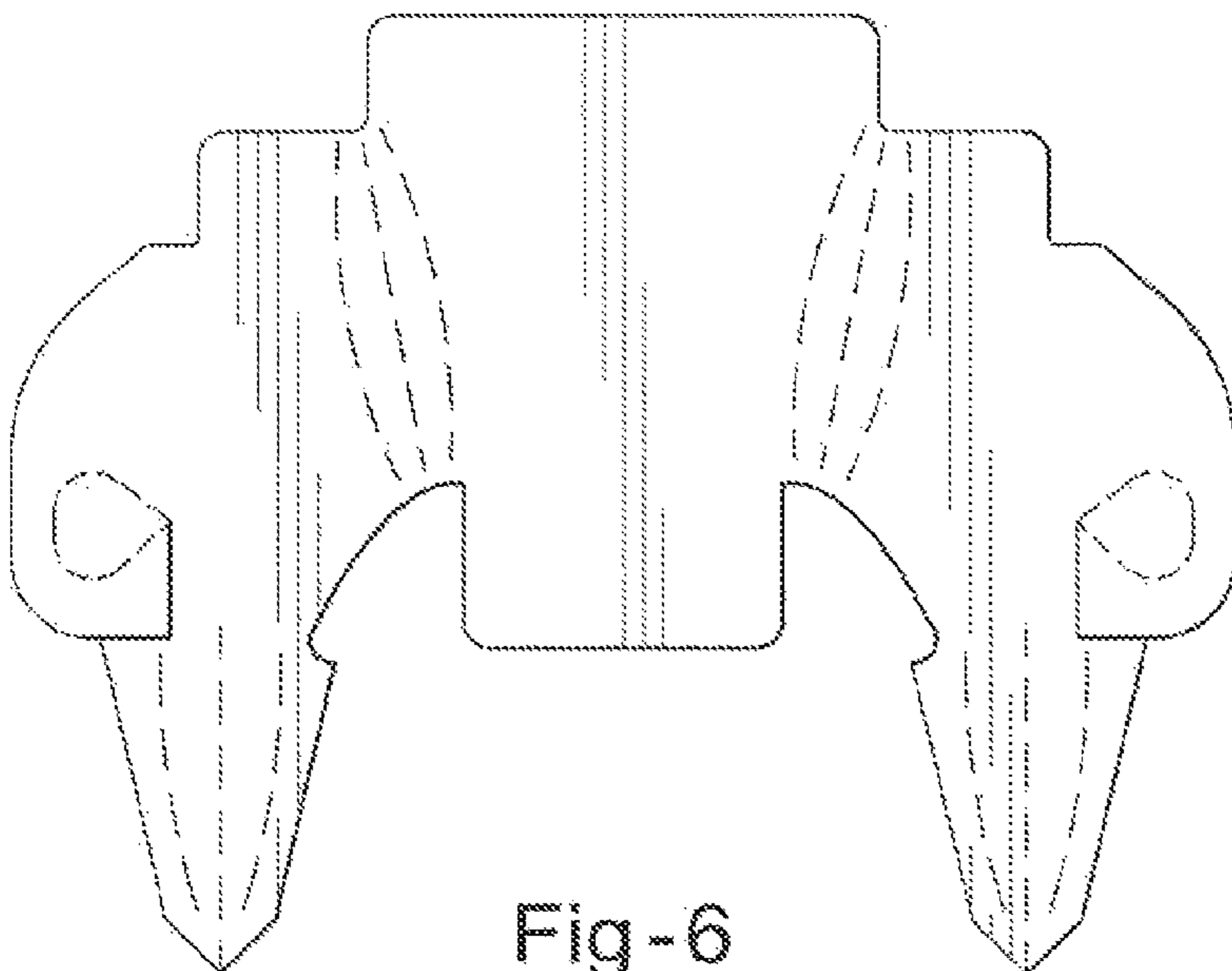


Fig -6

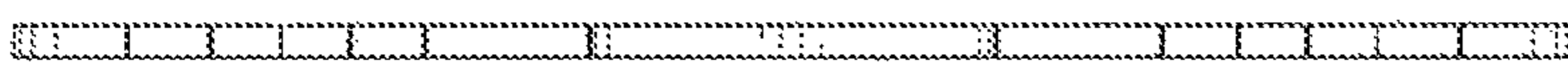


Fig -7