



US00D662986S

(12) **United States Design Patent**
Liu

(10) **Patent No.:** **US D662,986 S**
(45) **Date of Patent:** **** Jul. 3, 2012**

(54) **PEN**
(75) Inventor: **Liang Liu**, Ningbo (CN)
(73) Assignee: **Beifa Group Co., Ltd.**, Ningbo (CN)
(**) Term: **14 Years**
(21) Appl. No.: **29/384,324**
(22) Filed: **Jan. 28, 2011**

D545,366 S 6/2007 Ternovits
D547,375 S 7/2007 Gerules
D562,396 S 2/2008 Qiu
D568,932 S 5/2008 Qiu
D598,496 S 8/2009 Ikeda
D601,627 S * 10/2009 Liu D19/51
D606,117 S * 12/2009 Liu D19/49
D607,934 S * 1/2010 Liu D19/49
D611,095 S 3/2010 Liu

(Continued)

(30) **Foreign Application Priority Data**

Jul. 28, 2010 (CN) 2010 3 0254588

(51) **LOC (9) Cl.** **19-06**
(52) **U.S. Cl.** **D19/51**
(58) **Field of Classification Search** D19/35,
D19/36, 41-51, 54-58; D14/411, 431; 24/11 R,
24/11 F, 11 P; 401/52, 99, 100, 104-109,
401/192, 195, 196

See application file for complete search history.

(56) **References Cited**

U.S. PATENT DOCUMENTS

D258,217 S * 2/1981 Sakaoka D19/49
D266,769 S 11/1982 Camps
D267,655 S * 1/1983 Verona D19/51
D270,547 S 9/1983 Bajusz
D280,737 S * 9/1985 Verhaegue D19/48
D303,990 S 10/1989 Petterson
D323,673 S 2/1992 Gomez
D330,217 S * 10/1992 Booker D19/48
D367,673 S 3/1996 Compte
D410,029 S * 5/1999 Melnick D19/36
D440,601 S 4/2001 Sasaki
D448,407 S * 9/2001 Huang D19/43
D467,614 S * 12/2002 Pellissa Beneyto D19/51
D467,970 S 12/2002 Pellissa Beneyto
D478,350 S 8/2003 Furlong

FOREIGN PATENT DOCUMENTS

EM 001144224-0004 A1 7/2009

OTHER PUBLICATIONS

Wang, W., "Pen," U.S. Appl. No. 29/351,344, filed Dec. 3, 2009.

(Continued)

Primary Examiner — Elizabeth Albert

(74) *Attorney, Agent, or Firm* — Christensen O'Connor Johnson Kindness PLLC

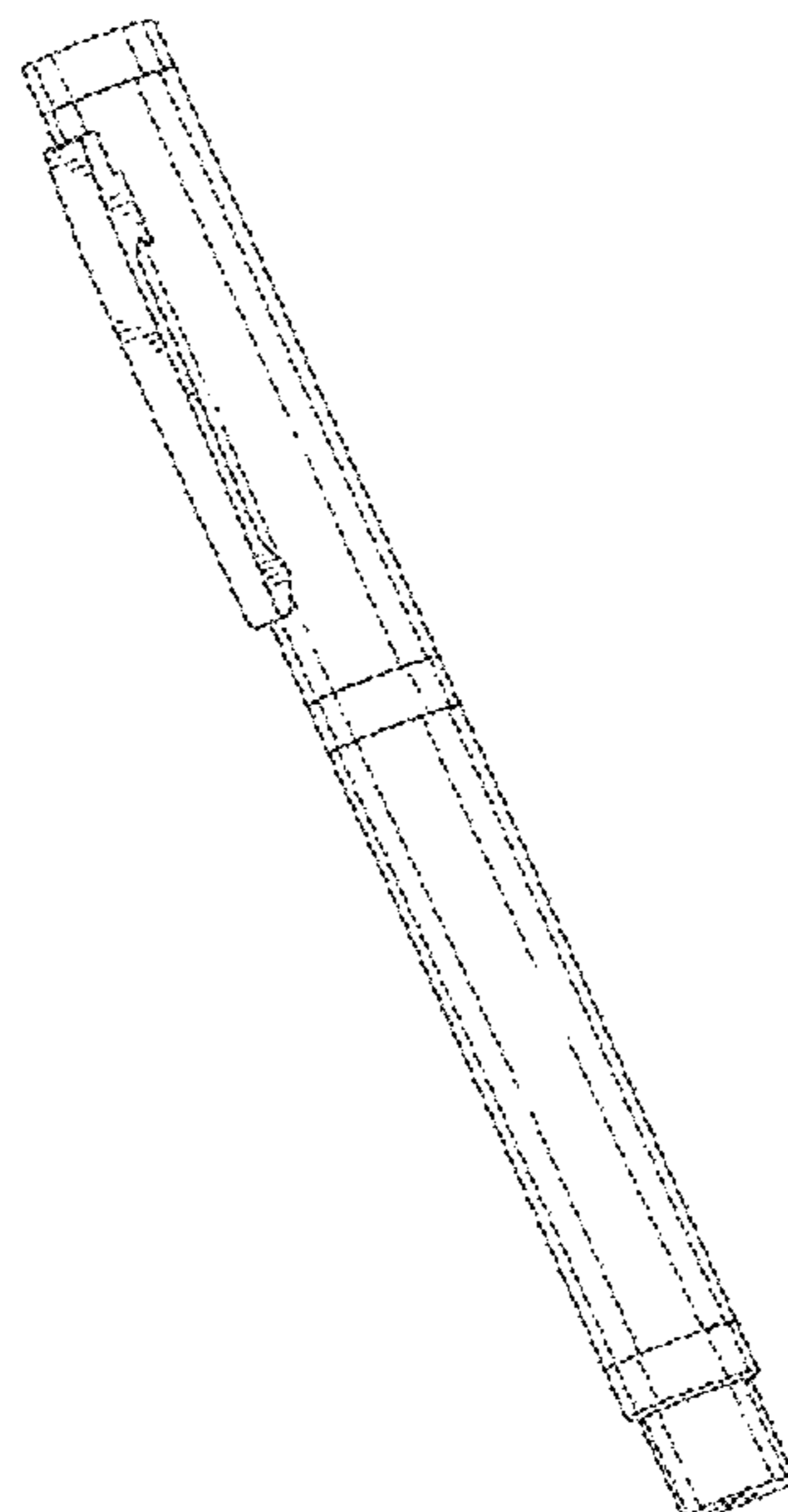
(57) **CLAIM**

The ornamental design for a pen, as shown and described.

DESCRIPTION

FIG. 1 is a lower front right perspective view of a pen showing my new design;
FIG. 2 is a right side elevation view thereof, with the left side elevation view being a mirror image of the right side elevation view;
FIG. 3 is a front elevation view thereof;
FIG. 4 is a rear elevation view thereof;
FIG. 5 is an enlarged top plan view thereof; and,
FIG. 6 is an enlarged bottom plan view thereof.
The broken lines in FIG. 6 illustrate environmental structure and form no part of the claimed design.

1 Claim, 3 Drawing Sheets



US D662,986 S

Page 2

U.S. PATENT DOCUMENTS

D611,097 S 3/2010 Liu
D611,098 S 3/2010 Collin
D611,539 S * 3/2010 Zhang D19/51
D616,498 S 5/2010 Zhang
D628,636 S 12/2010 Wang
D628,646 S * 12/2010 Zhano D19/51

D638,061 S * 5/2011 Wang D19/48
D638,062 S * 5/2011 Wang D19/49

OTHER PUBLICATIONS

Wang, W., "Pen," U.S. Appl. No. 29/351,345, filed Dec. 3, 2009.

* cited by examiner

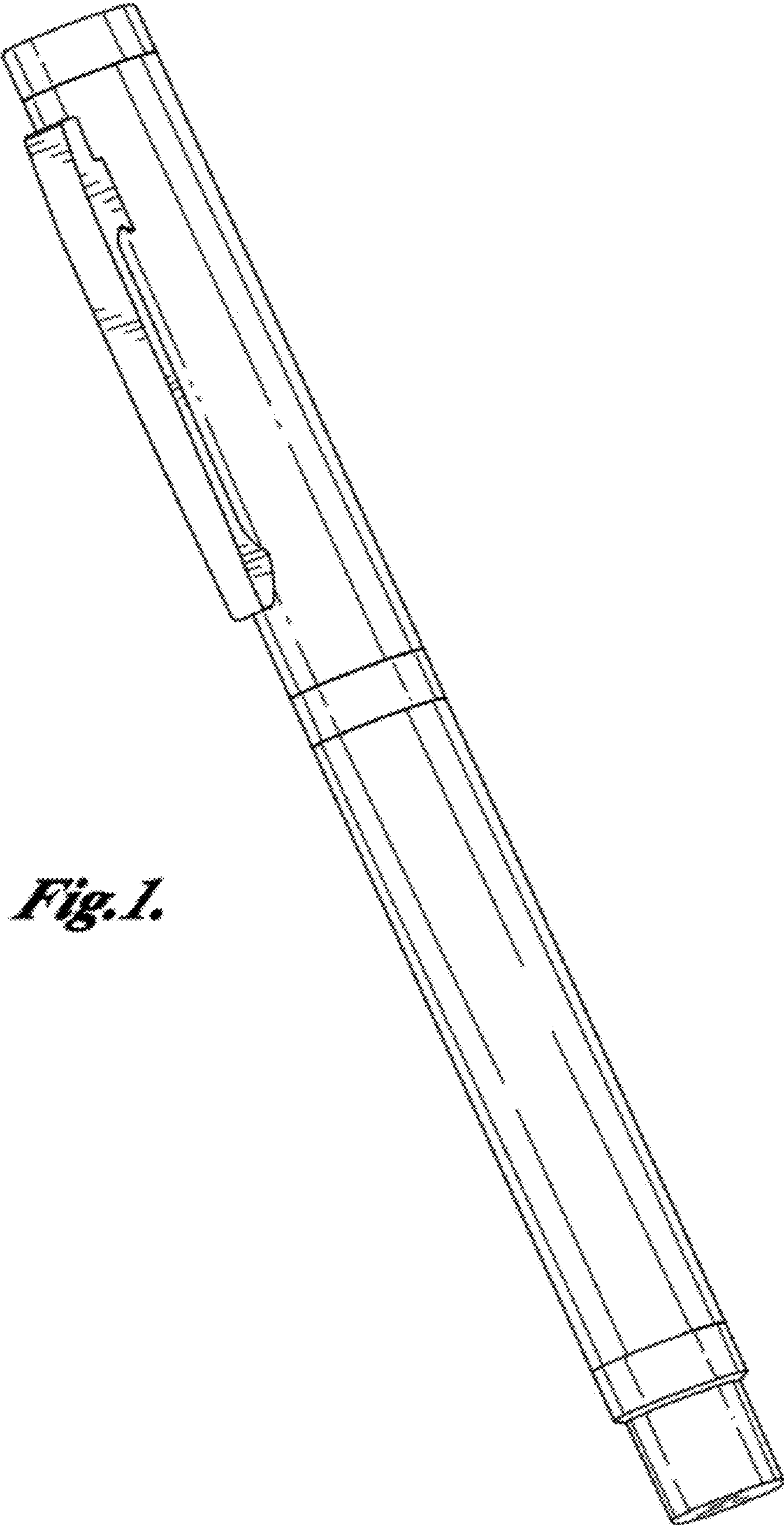


Fig. 1.

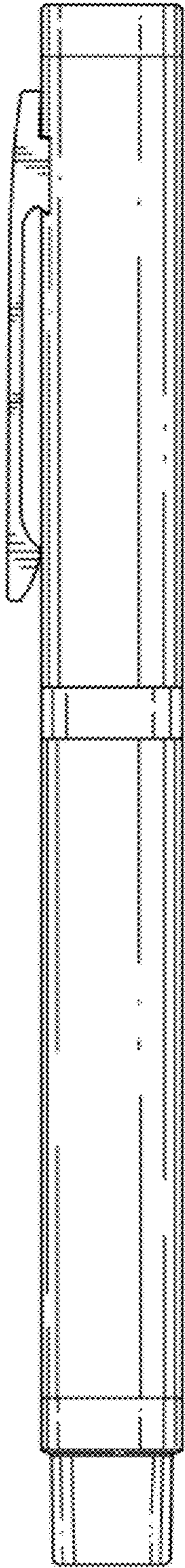


Fig. 2.

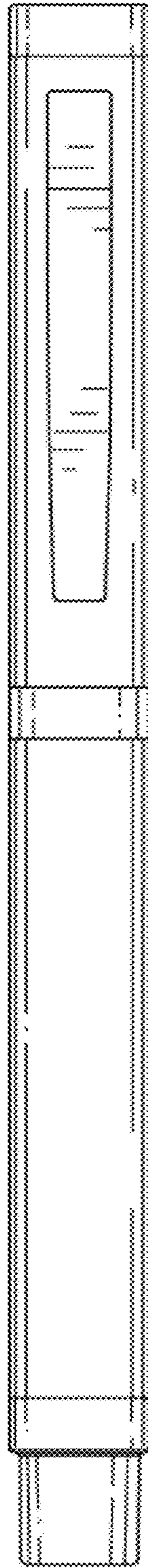


Fig. 3.

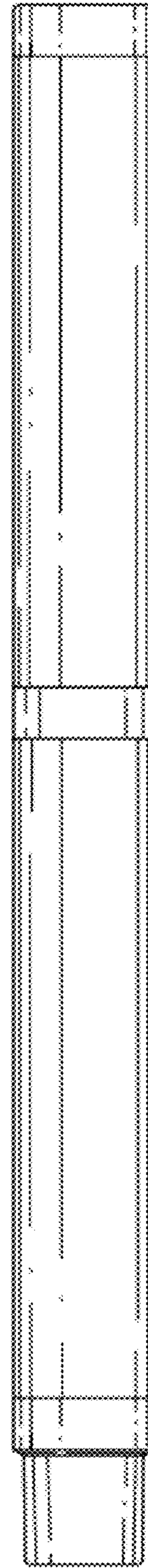


Fig. 4.

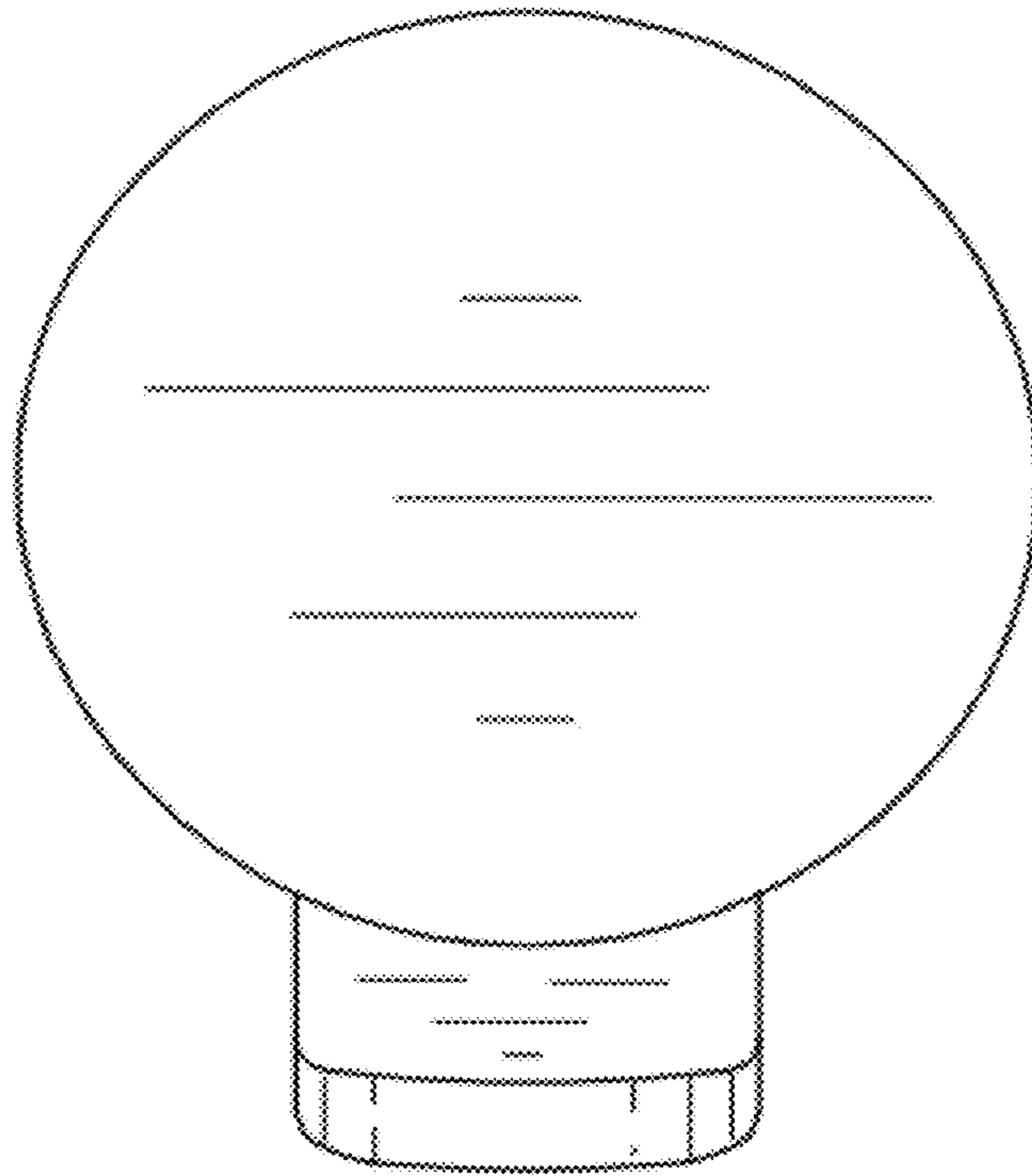


Fig. 5.

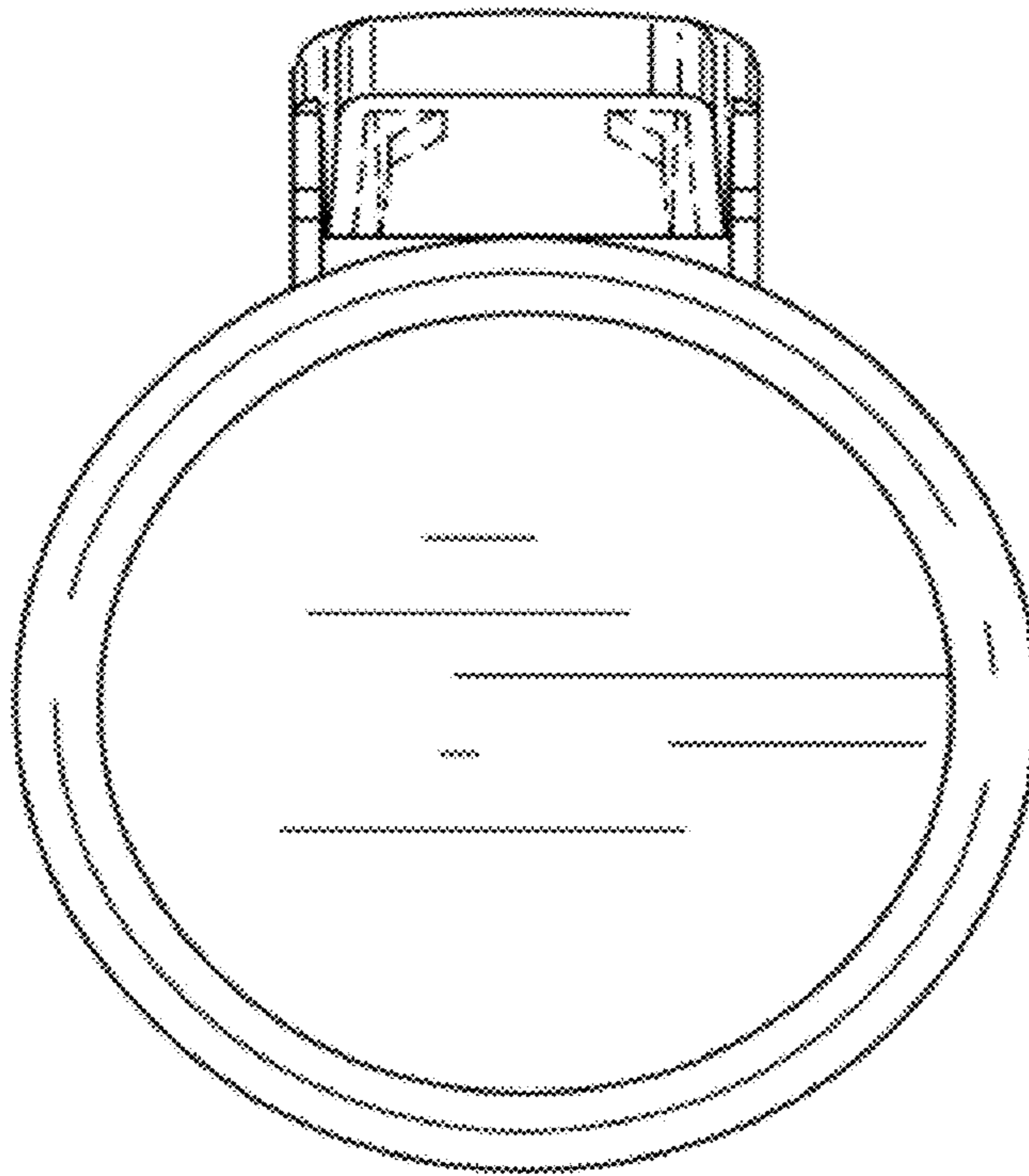


Fig. 6.