



US00D662985S

(12) **United States Design Patent**  
**Liu**

(10) **Patent No.:** **US D662,985 S**  
(45) **Date of Patent:** **\*\* Jul. 3, 2012**

(54) **PEN**  
(75) Inventor: **Liang Liu**, Ningbo (CN)  
(73) Assignee: **Beifa Group Co., Ltd.**, Ningbo (CN)  
(\*\*) Term: **14 Years**  
(21) Appl. No.: **29/384,321**  
(22) Filed: **Jan. 28, 2011**

D523,081	S	*	6/2006	Pellissa Beneyto	.....	D19/51
D589,559	S	*	3/2009	Slemp	.....	D19/51
D596,228	S	*	7/2009	Koch	.....	D19/41
D606,587	S	*	12/2009	Zhang	.....	D19/49
D611,538	S	*	3/2010	Zhou	.....	D19/51
D616,936	S	*	6/2010	Liu	.....	D19/49
D630,219	S	*	1/2011	Fujino et al.	.....	D14/411
D631,914	S	*	2/2011	Li	.....	D19/48
7,909,528	B2	*	3/2011	Brooks et al.	.....	401/131
D647,966	S	*	11/2011	Koch	.....	D19/51
2005/0084319	A1	*	4/2005	Petroskey et al.	.....	401/104

(30) **Foreign Application Priority Data**

Jul. 28, 2010 (CN) ..... 2010 3 0254543

(51) **LOC (9) Cl.** ..... **19-06**  
(52) **U.S. Cl.** ..... **D19/51**  
(58) **Field of Classification Search** ..... D19/35,  
D19/36, 41-51, 54-58; D14/411, 431; 24/11 R,  
24/11 F, 11 P; 401/52, 99, 100, 104-109,  
401/192, 195, 196

See application file for complete search history.

(56) **References Cited**

**U.S. PATENT DOCUMENTS**

D104,542	S		5/1937	Pearce		
D267,887	S	*	2/1983	Rigoni	.....	D19/49
D286,649	S	*	11/1986	Hamel	.....	D19/48
D286,893	S	*	11/1986	Regnault	.....	D19/51
D309,633	S		7/1990	Itoh		
D382,016	S	*	8/1997	Takahashi	.....	D19/51
D395,447	S		6/1998	Izushima		
D423,579	S	*	4/2000	Andrews et al.	.....	D19/51
D429,763	S	*	8/2000	Fuller	.....	D19/51
D437,352	S		2/2001	Matsuzaki		
D467,614	S	*	12/2002	Pellissa Beneyto	.....	D19/51
D519,563	S	*	4/2006	Pellissa Beneyto	.....	D19/51
7,040,829	B2	*	5/2006	Lin	.....	401/195

**OTHER PUBLICATIONS**

Liang, W., "Pen," U.S. Appl. No. 29/383,350, filed Jan. 14, 2011.  
Zhang, Y., "Pen," U.S. Appl. No. 29/365,887, filed Jul. 16, 2010.

\* cited by examiner

*Primary Examiner* — Elizabeth Albert

(74) *Attorney, Agent, or Firm* — Christensen O'Connor Johnson Kindness PLLC

(57) **CLAIM**

The ornamental design for a pen, as shown and described.

**DESCRIPTION**

FIG. 1 is an upper front right perspective view of a pen showing my new design;

FIG. 2 is a right side elevation view thereof, with the left side elevation view being a minor image of the right side elevation view;

FIG. 3 is a front elevation view thereof;

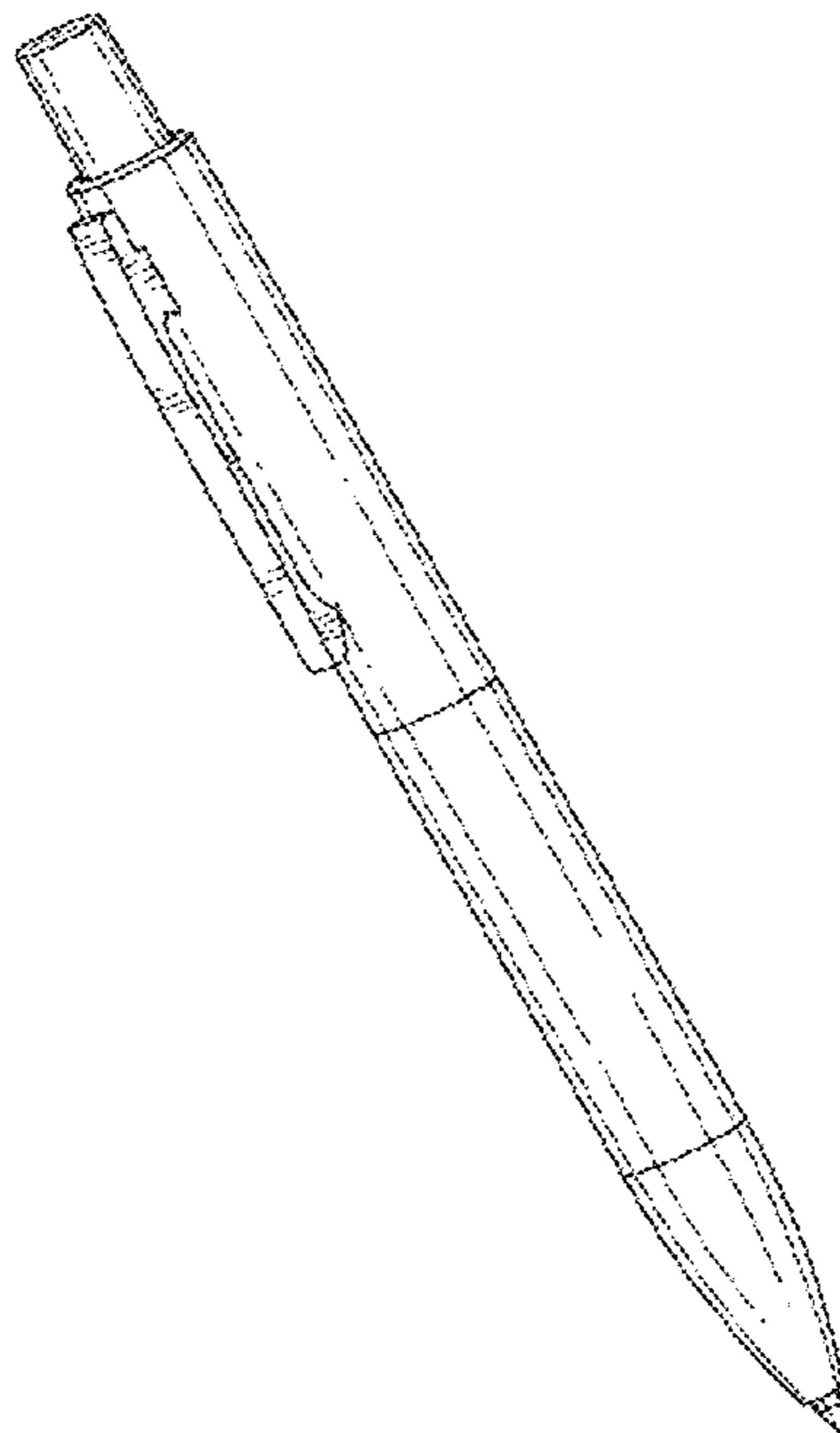
FIG. 4 is a rear elevation view thereof;

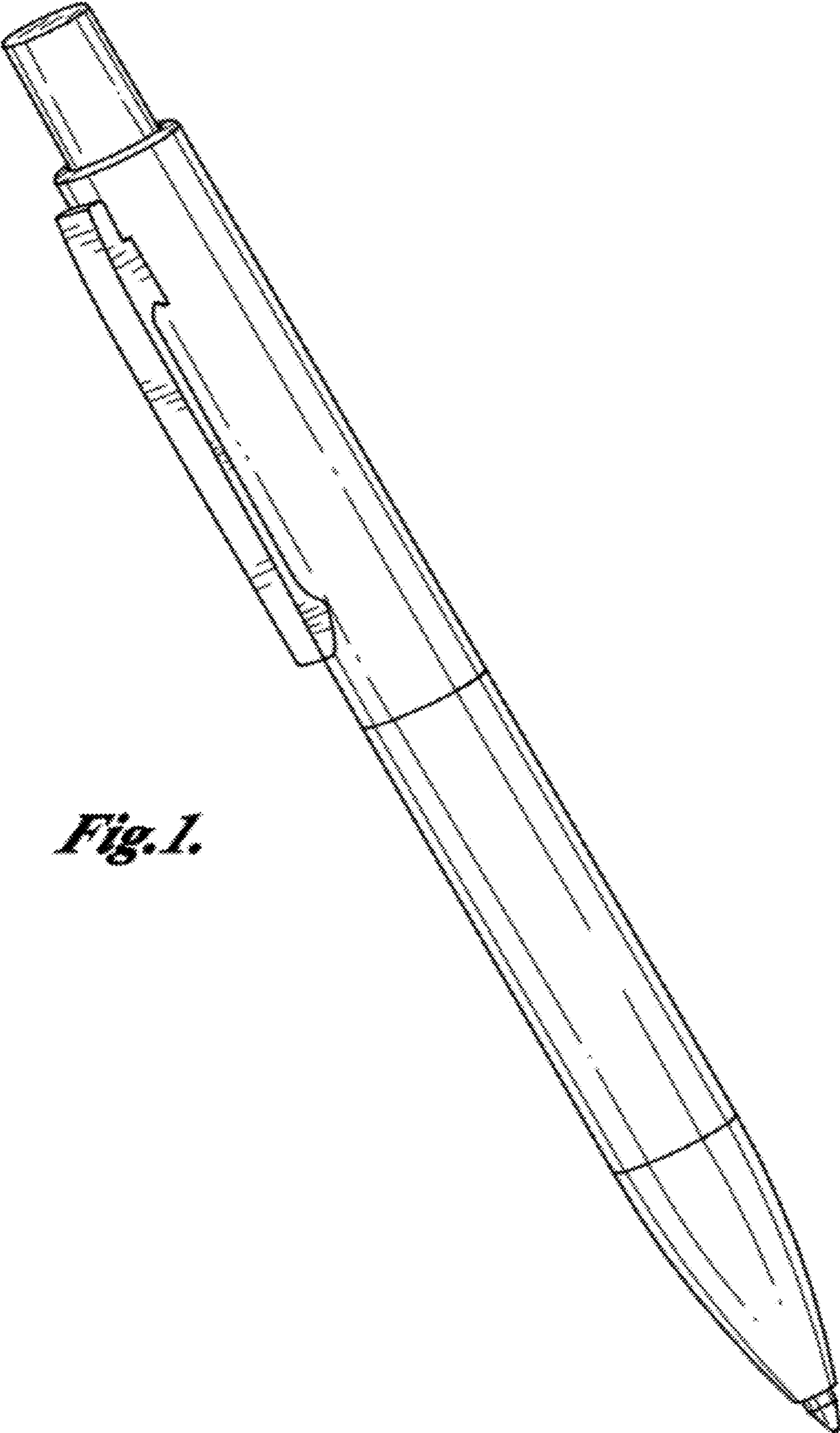
FIG. 5 is an enlarged top plan view thereof; and,

FIG. 6 is an enlarged bottom plan view thereof.

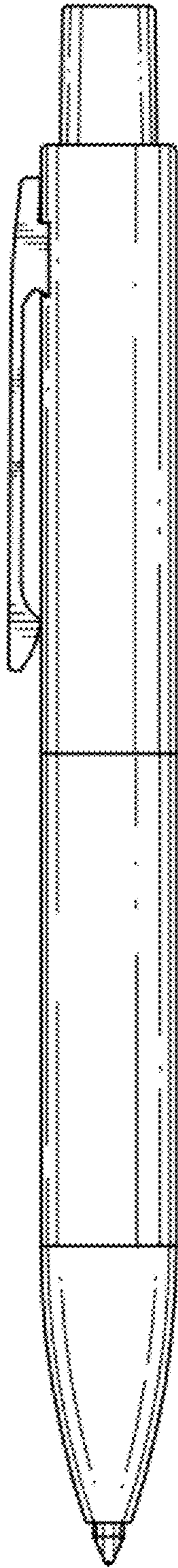
The broken lines in FIG. 6 illustrate environmental structure and form no part of the claimed design.

**1 Claim, 3 Drawing Sheets**

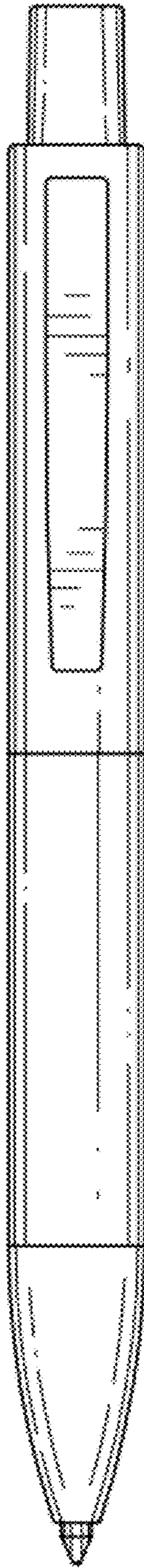




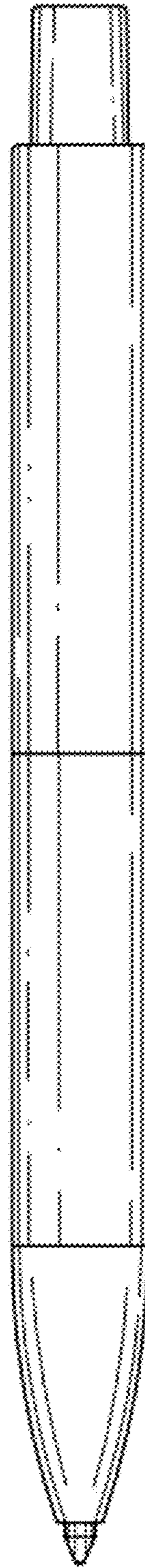
*Fig. 1.*



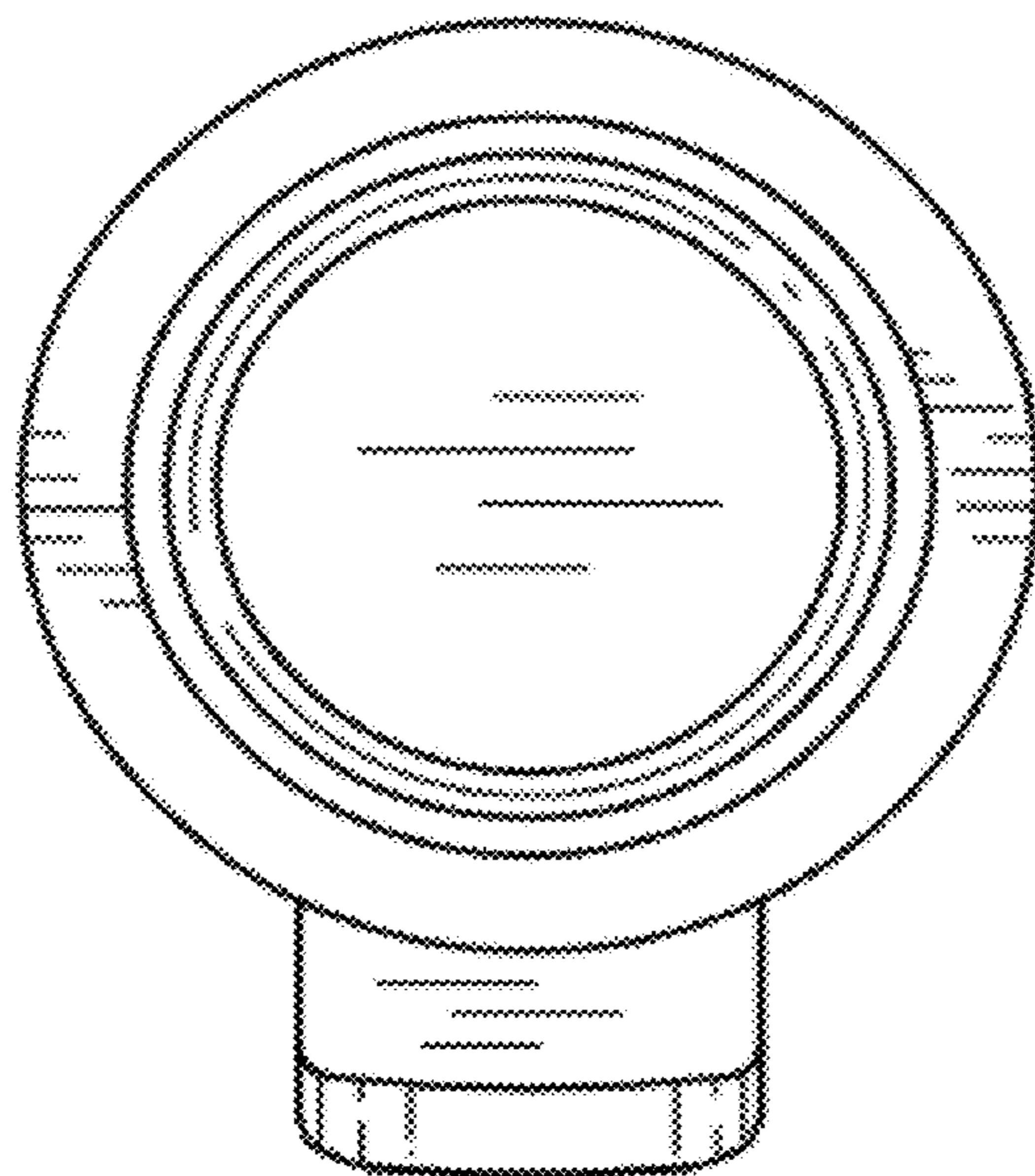
*Fig. 2.*



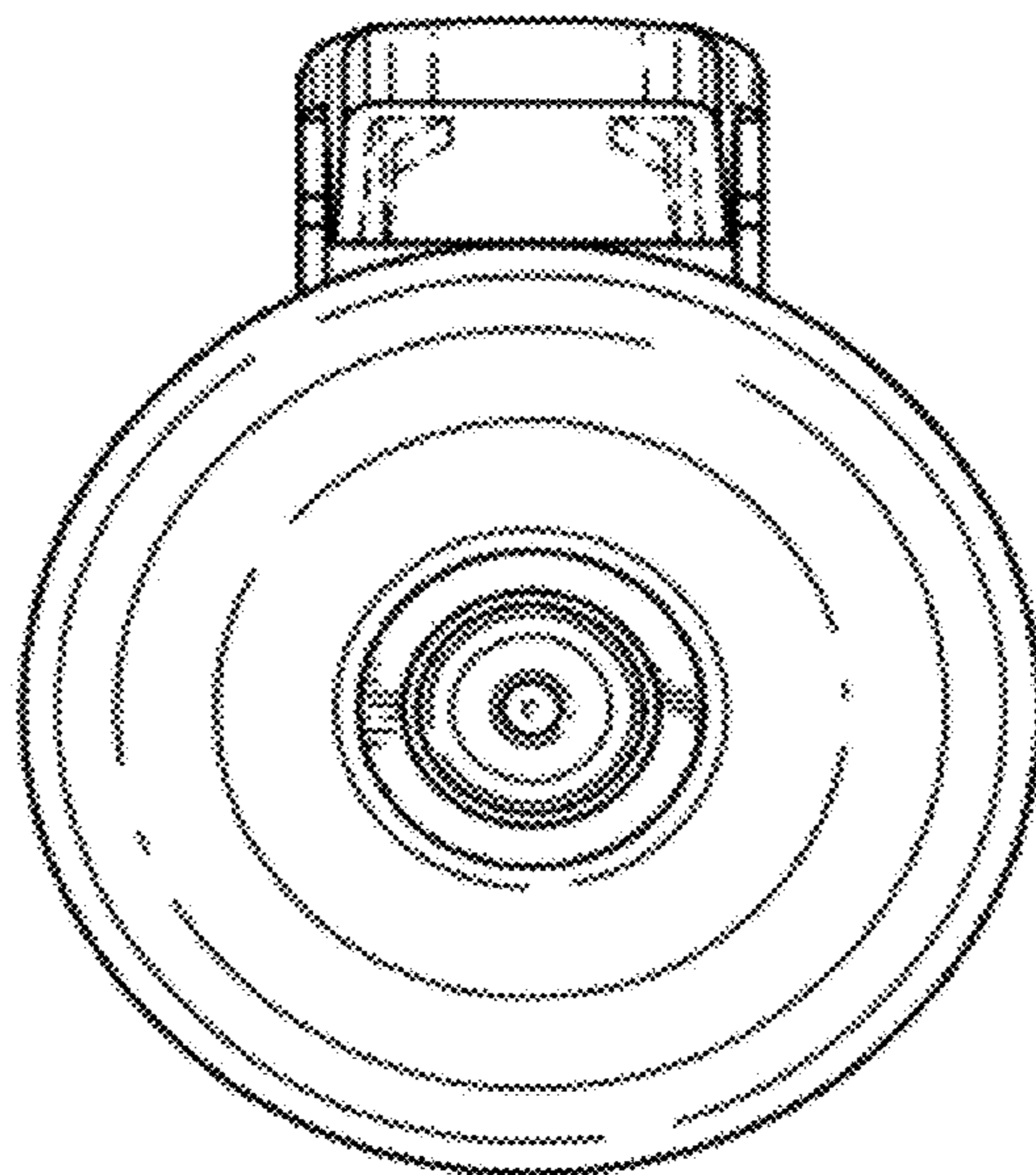
*Fig. 3.*



*Fig. 4.*



*Fig. 5.*



*Fig. 6.*

UNITED STATES PATENT AND TRADEMARK OFFICE  
**CERTIFICATE OF CORRECTION**

PATENT NO. : D662,985 S  
APPLICATION NO. : 29/384321  
DATED : July 3, 2012  
INVENTOR(S) : L. Liu

Page 1 of 1

It is certified that error appears in the above-identified patent and that said Letters Patent is hereby corrected as shown below:

Title Page, Item (57) Abstract: "minor image" should read --mirror image--

Signed and Sealed this  
Eighteenth Day of December, 2012

A handwritten signature in black ink that reads "David J. Kappos". The signature is written in a cursive style with a large initial "D" and "K".

David J. Kappos  
*Director of the United States Patent and Trademark Office*