

US00D662983S

(12) **United States Design Patent**
Zhang

(10) **Patent No.:** **US D662,983 S**
(45) **Date of Patent:** **** Jul. 3, 2012**

- (54) **PEN**
- (75) Inventor: **Youbin Zhang**, Ningbo (CN)
- (73) Assignee: **Beifa Group Co., Ltd.**, Ningbo (CN)
- (**) Term: **14 Years**
- (21) Appl. No.: **29/389,368**
- (22) Filed: **Apr. 11, 2011**
- (30) **Foreign Application Priority Data**

- D491,983 S 6/2004 Izushima
- D522,579 S 6/2006 Sim
- D559,315 S 1/2008 Qiu
- D559,909 S 1/2008 Qiu
- D562,395 S 2/2008 Qiu
- D578,572 S 10/2008 Qiu
- D580,493 S 11/2008 Fei
- D603,899 S 11/2009 Suero, Jr.
- D604,362 S 11/2009 Suero, Jr.
- D607,932 S 1/2010 Zhang
- D607,933 S 1/2010 Zhang
- D610,615 S 2/2010 Li
- D611,539 S * 3/2010 Zhang D19/51
- D612,425 S 3/2010 Suero, Jr.
- D616,935 S 6/2010 Zhang

(Continued)

Oct. 14, 2010 (CN) 2010 3 0569236

- (51) **LOC (9) Cl.** **19-06**
- (52) **U.S. Cl.** **D19/50**
- (58) **Field of Classification Search** D19/35,
D19/36, 41-51, 54-58; D14/411; 24/11 F,
24/11 R, 11 P; 401/52, 99-109, 192, 195,
401/196

See application file for complete search history.

(56) **References Cited**

U.S. PATENT DOCUMENTS

- D213,341 S 2/1969 Fields
- D223,688 S 5/1972 Schnur
- D254,912 S * 5/1980 Ito D19/48
- D342,089 S 12/1993 Anavil
- D342,090 S 12/1993 Anavil
- D342,279 S 12/1993 Anavil
- D367,673 S * 3/1996 Compte D19/51
- D398,934 S * 9/1998 Veillon D19/51
- D441,398 S * 5/2001 Owen et al. D19/49
- D444,498 S 7/2001 Izushima
- D450,768 S 11/2001 Keda
- D463,822 S 10/2002 Keda
- D469,467 S 1/2003 Briggl
- D471,587 S 3/2003 Hautzinger
- D473,263 S * 4/2003 Hautzinger D19/57
- D479,856 S 9/2003 Hui
- D488,508 S * 4/2004 Finney et al. D19/51

OTHER PUBLICATIONS

Wang, T., and W. Lang, "Pen," U.S. Appl. No. 29/365,896, filed Jul. 16, 2010.

(Continued)

Primary Examiner — Elizabeth Albert
(74) *Attorney, Agent, or Firm* — Christensen O'Connor Johnson Kindness PLLC

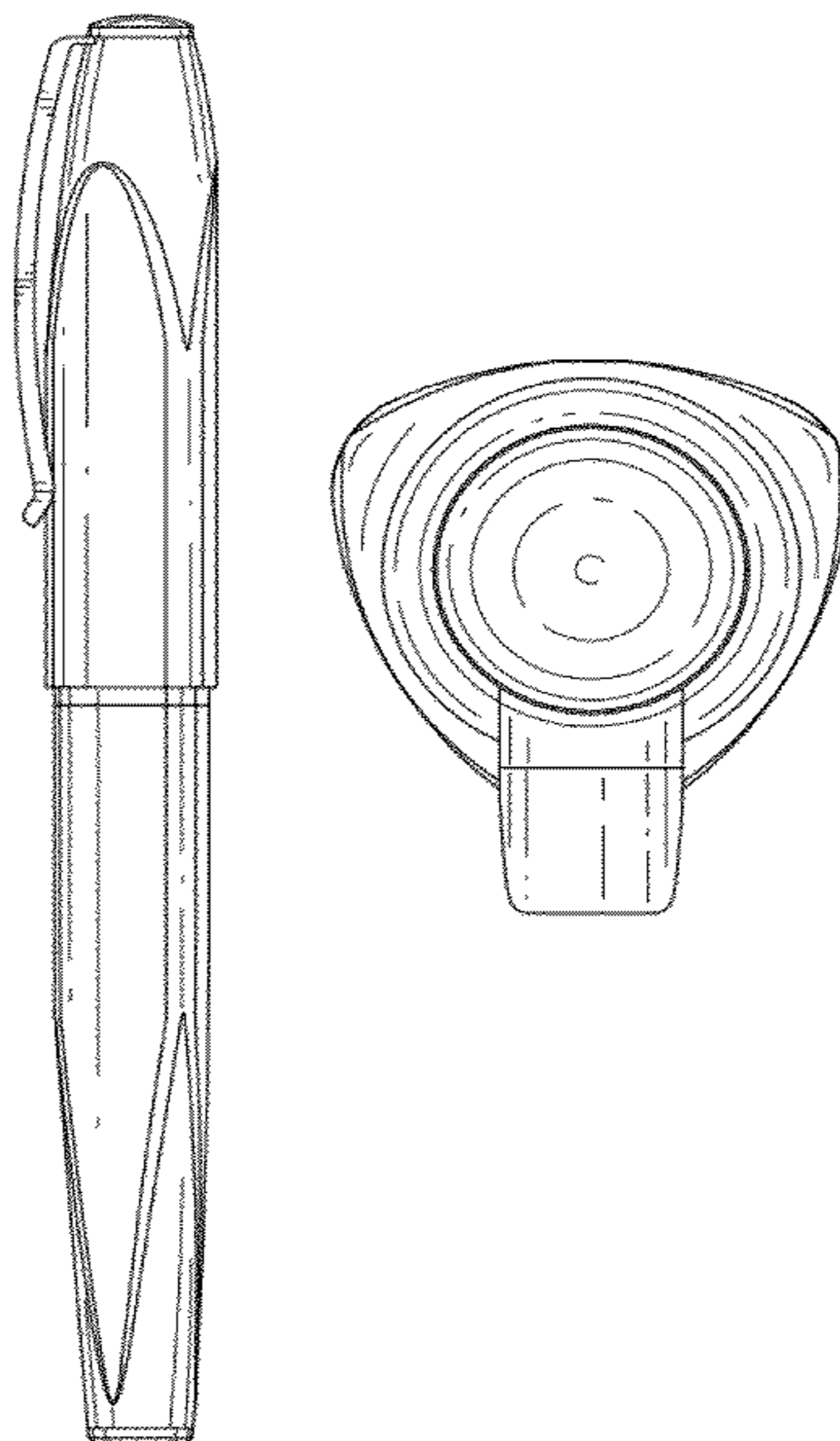
(57) **CLAIM**

The ornamental design for a pen, as shown and described.

DESCRIPTION

FIG. 1 is an upper front left perspective view of a pen showing my new design;
FIG. 2 is a right side elevation view thereof, with the left side elevation view being a mirror image of the right side elevation view;
FIG. 3 is a front elevation view thereof;
FIG. 4 is a rear elevation view thereof;
FIG. 5 is an enlarged top plan view thereof; and,
FIG. 6 is an enlarged bottom plan view thereof.

1 Claim, 3 Drawing Sheets



US D662,983 S

Page 2

U.S. PATENT DOCUMENTS

D618,724 S * 6/2010 Gerules et al. D19/51
D628,640 S 12/2010 Wang
D628,641 S 12/2010 Zhang
D628,646 S * 12/2010 Zhano D19/51
D632,333 S 2/2011 Zhang
D655,340 S * 3/2012 Liu D19/51

OTHER PUBLICATIONS

Wang, T., and W. Lang, "Pen," U.S. Appl. No. 29/390,935, filed Apr. 29, 2011.
Zhang, Y., "Pen," U.S. Appl. No. 29/387,818, filed Mar. 18, 2011.
* cited by examiner

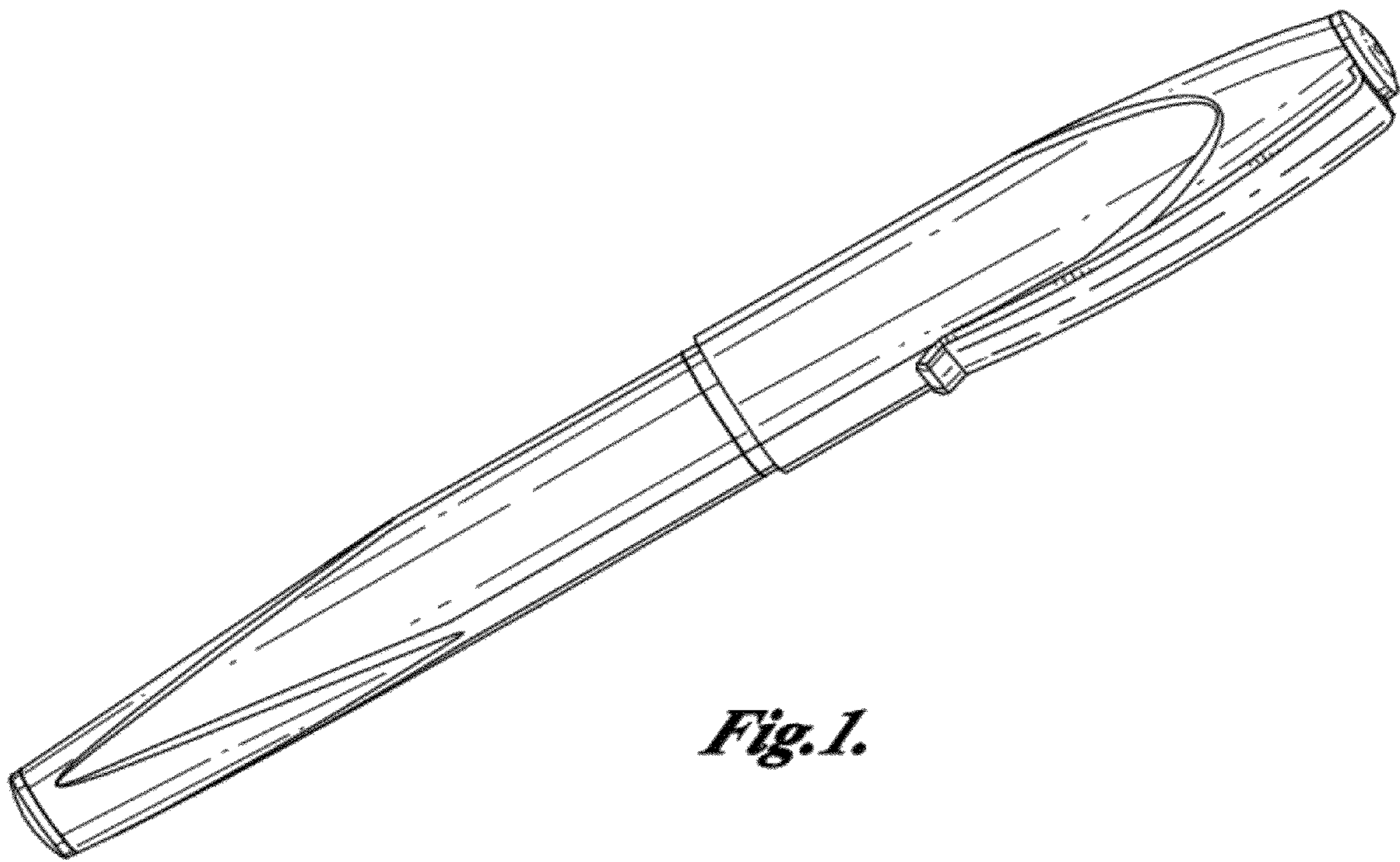


Fig. 1.

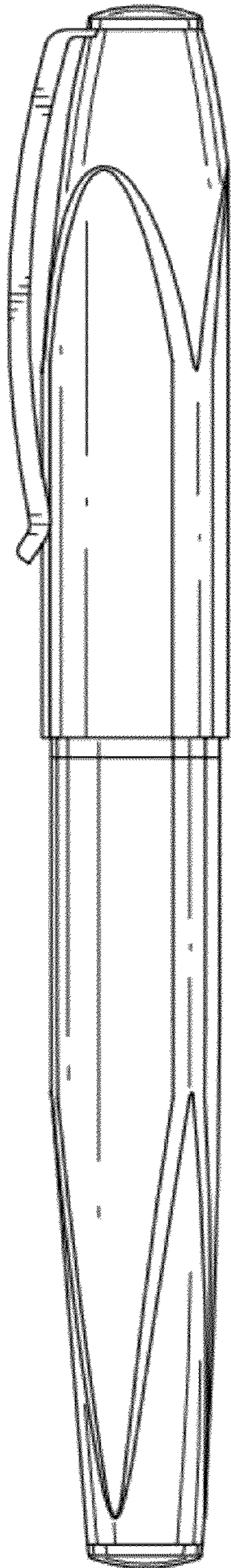


Fig. 2.

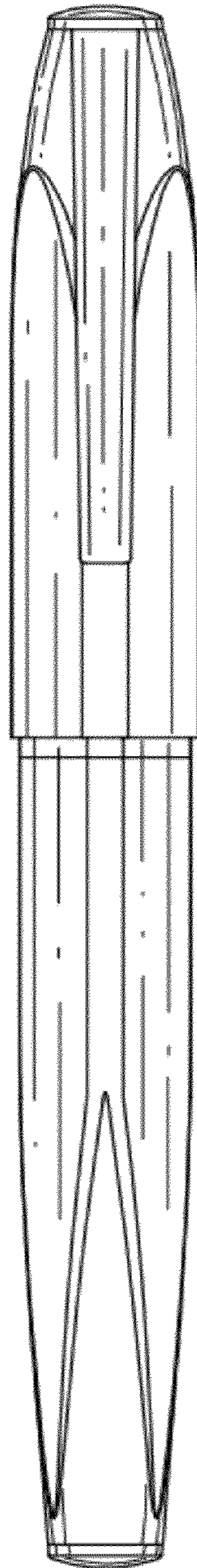


Fig. 3.

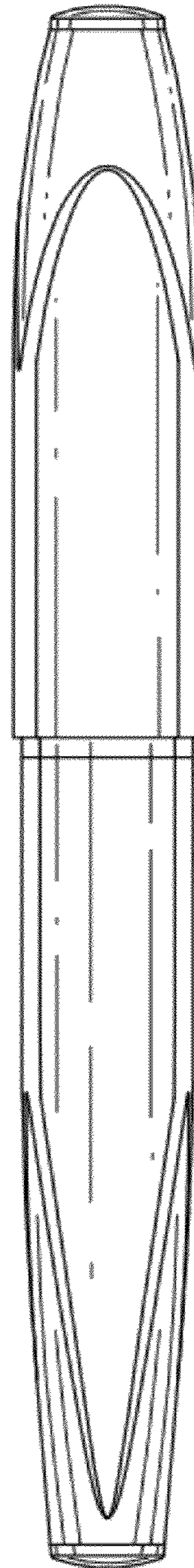


Fig. 4.

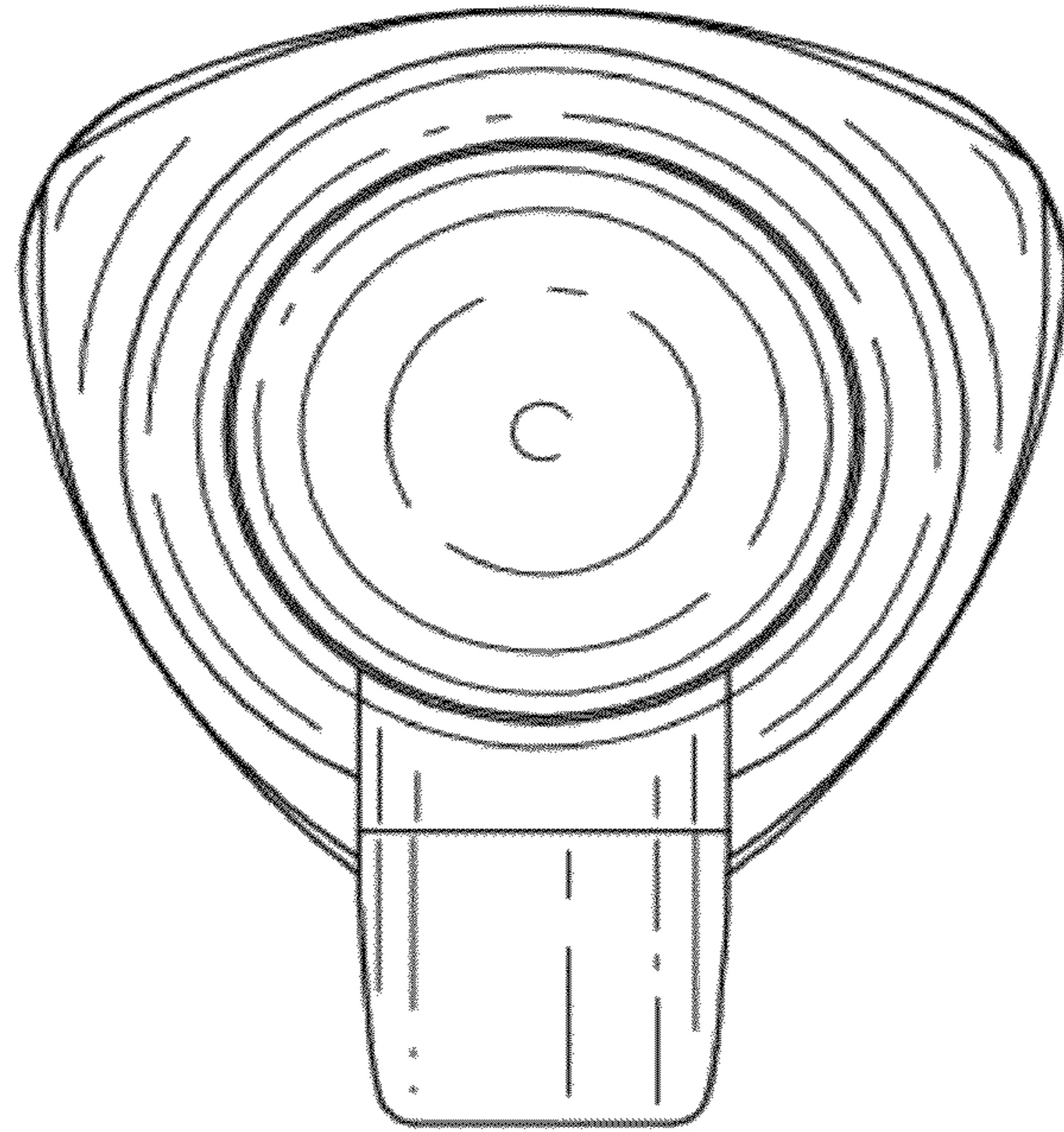


Fig. 5.

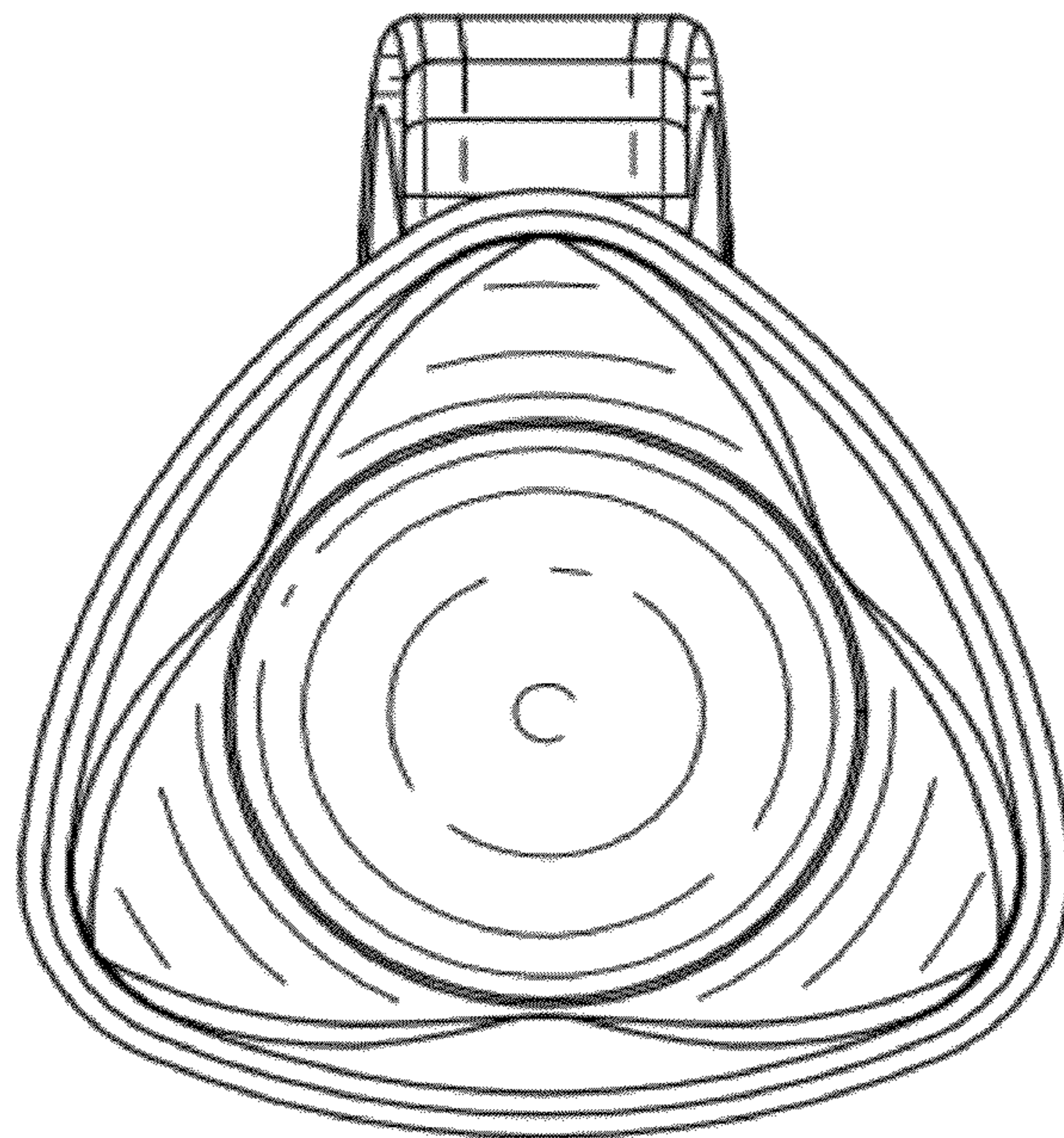


Fig. 6.