



US00D662981S

(12) **United States Design Patent**
Xie

(10) **Patent No.:** **US D662,981 S**
(45) **Date of Patent:** **** Jul. 3, 2012**

- (54) **PEN**
- (75) Inventor: **Jianzhe Xie**, Ningbo (CN)
- (73) Assignee: **Beifa Group Co., Ltd.**, Ningbo (CN)
- (**) Term: **14 Years**
- (21) Appl. No.: **29/389,633**
- (22) Filed: **Apr. 14, 2011**

(30) **Foreign Application Priority Data**

Oct. 14, 2010 (CN) 2010 3 0567736

- (51) **LOC (9) Cl.** **19-06**
- (52) **U.S. Cl.** **D19/43**
- (58) **Field of Classification Search** D19/35,
D19/36, 41-51, 54-58; 24/11 R, 11 F, 11 P;
401/52, 99, 100-109, 192, 195, 196; D14/411
See application file for complete search history.

(56) **References Cited**

U.S. PATENT DOCUMENTS

D206,735 S *	1/1967	Levy	D19/57
D221,033 S	6/1971	Wakai		
3,774,389 A *	11/1973	Wilken	368/216
D263,318 S *	3/1982	Oka	D19/51
D273,399 S *	4/1984	Zierhut	D19/57
D273,400 S *	4/1984	Zierhut	D19/57
D273,401 S *	4/1984	Zierhut	D19/57
D284,676 S *	7/1986	Malm	D19/51
D328,311 S	7/1992	Nitta		
5,174,672 A *	12/1992	Towsend	401/6
5,230,578 A *	7/1993	Fuhrmann et al.	401/202
5,599,127 A *	2/1997	Fuhrmann et al.	401/202
D391,153 S *	2/1998	Poisson et al.	D19/48
D402,312 S	12/1998	Chevalier		
D471,588 S *	3/2003	Hu	D19/43
D530,745 S	10/2006	Kent		
D530,748 S *	10/2006	Kent et al.	D19/57

D540,383 S	4/2007	Nishida		
D546,387 S	7/2007	Qiu		
D549,775 S *	8/2007	Kent et al.	D19/48
D586,853 S *	2/2009	Tan	D19/49
D586,854 S *	2/2009	Tan	D19/49
D612,426 S *	3/2010	Suero et al.	D19/41
D647,961 S *	11/2011	Zhang	D19/43
D648,386 S *	11/2011	Zhang	D19/43
D655,337 S *	3/2012	Zhang	D19/45

OTHER PUBLICATIONS

- Guo, Y., "Pen," U.S. Appl. No. 29/379,463, filed Nov. 19, 2010.
- Jiang, L., and W. Liang, "Pen," U.S. Appl. No. 29/389,690, filed Apr. 14, 2011.
- Liang, W., "Pen," U.S. Appl. No. 29/383,938, filed Jan. 24, 2011.
- Liang, W., "Pen," U.S. Appl. No. 29/389,574, filed Apr. 13, 2011.

(Continued)

Primary Examiner — Elizabeth Albert
(74) *Attorney, Agent, or Firm* — Christensen O'Connor Johnson Kindness PLLC

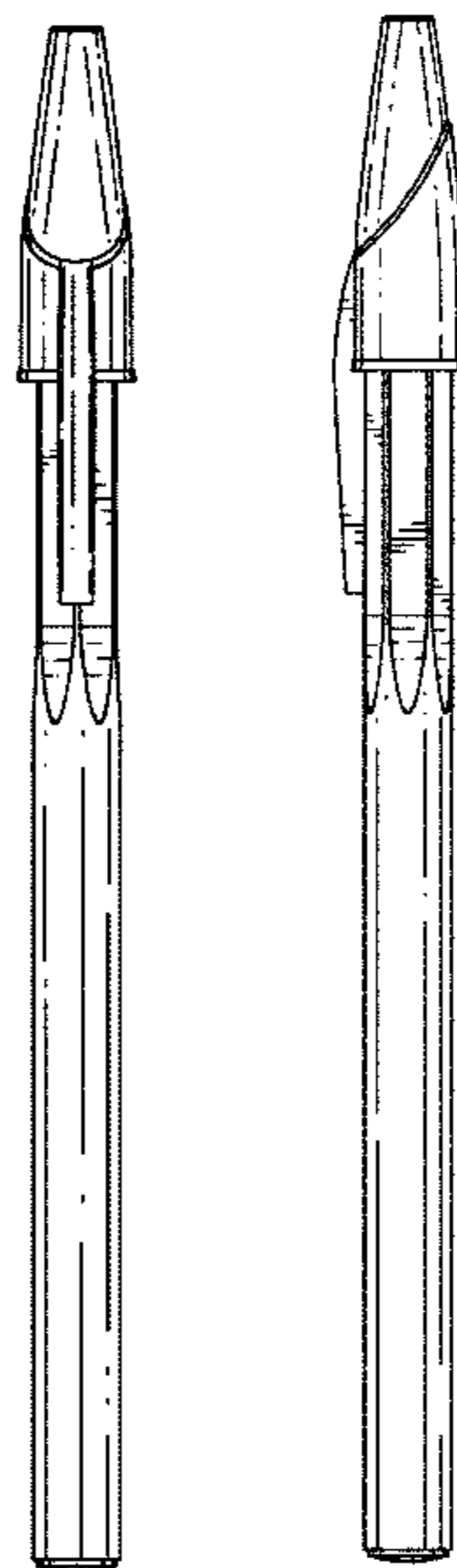
(57) **CLAIM**

The ornamental design for a pen, as shown and described.

DESCRIPTION

FIG. 1 is a lower front right perspective view of a pen showing my new design;
FIG. 2 is a front elevation view thereof;
FIG. 3 is a rear elevation view thereof;
FIG. 4 is a right side elevation view thereof, with the left side elevation view being a mirror image of the right side elevation view;
FIG. 5 is an enlarged top plan view thereof; and,
FIG. 6 is an enlarged bottom plan view thereof.
The broken lines shown in FIGS. 1, 5, and 6 illustrate environmental subject matter and form no part of the claimed design.

1 Claim, 3 Drawing Sheets



OTHER PUBLICATIONS

Liang, W., "Pen," U.S. Appl. No. 29/389,630, filed Apr. 14, 2011.
Liang, W., and L. Jiang, "Pen," U.S. Appl. No. 29/389,688, filed Apr.
14, 2011.

Zhang, B., "Pen," U.S. Appl. No. 29/383,985, filed Jan. 25, 2011.

Zhang, B., "Pen," U.S. Appl. No. 29/384,510, filed Jan. 31, 2011.

* cited by examiner

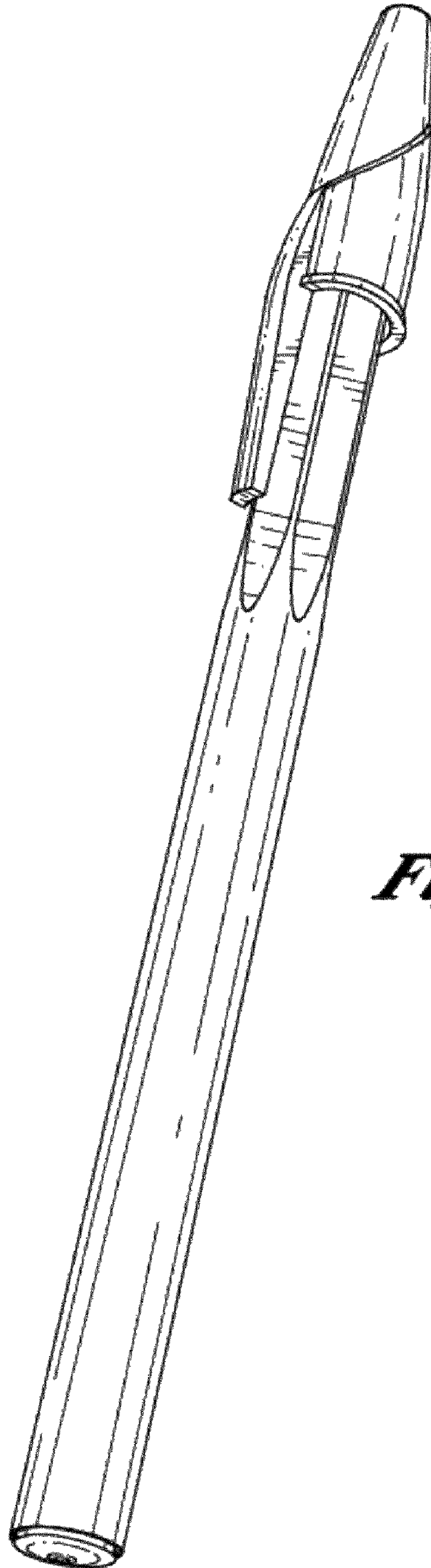


Fig. 1.

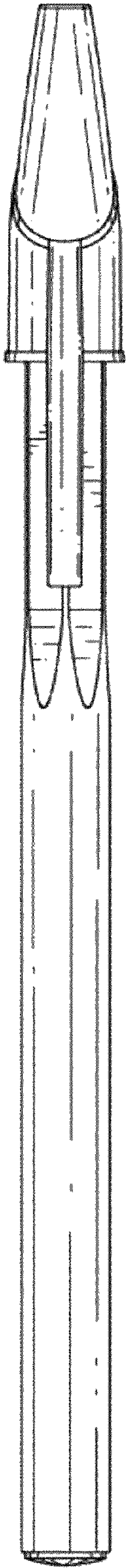


Fig. 2.

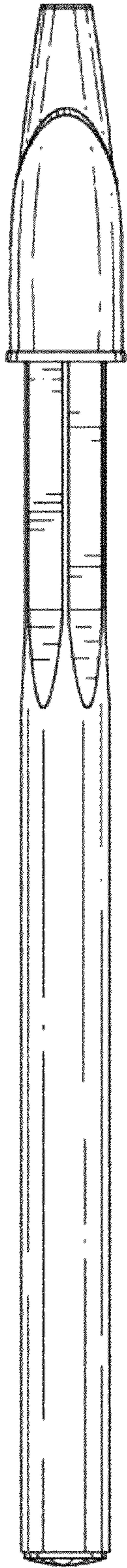


Fig. 3.

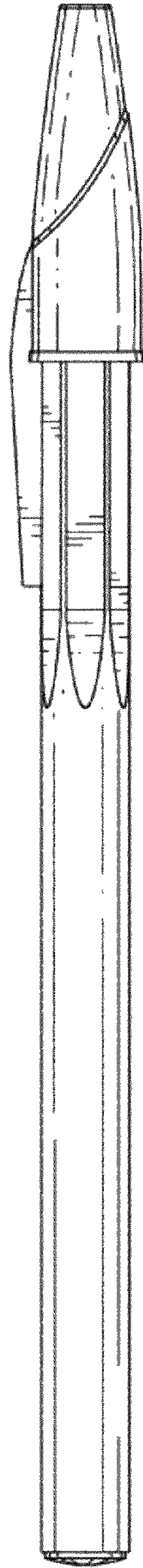


Fig. 4.

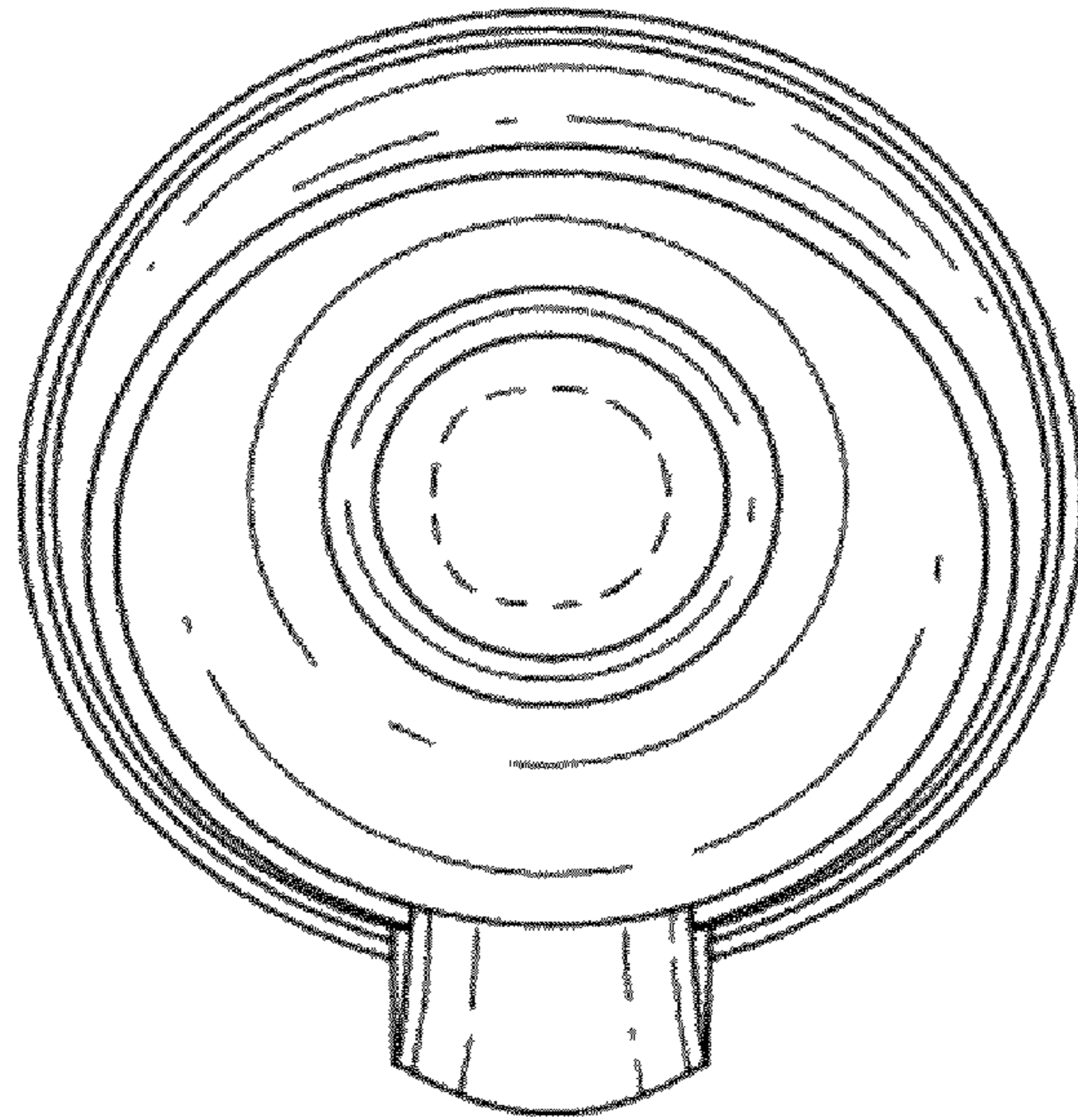


Fig. 5.

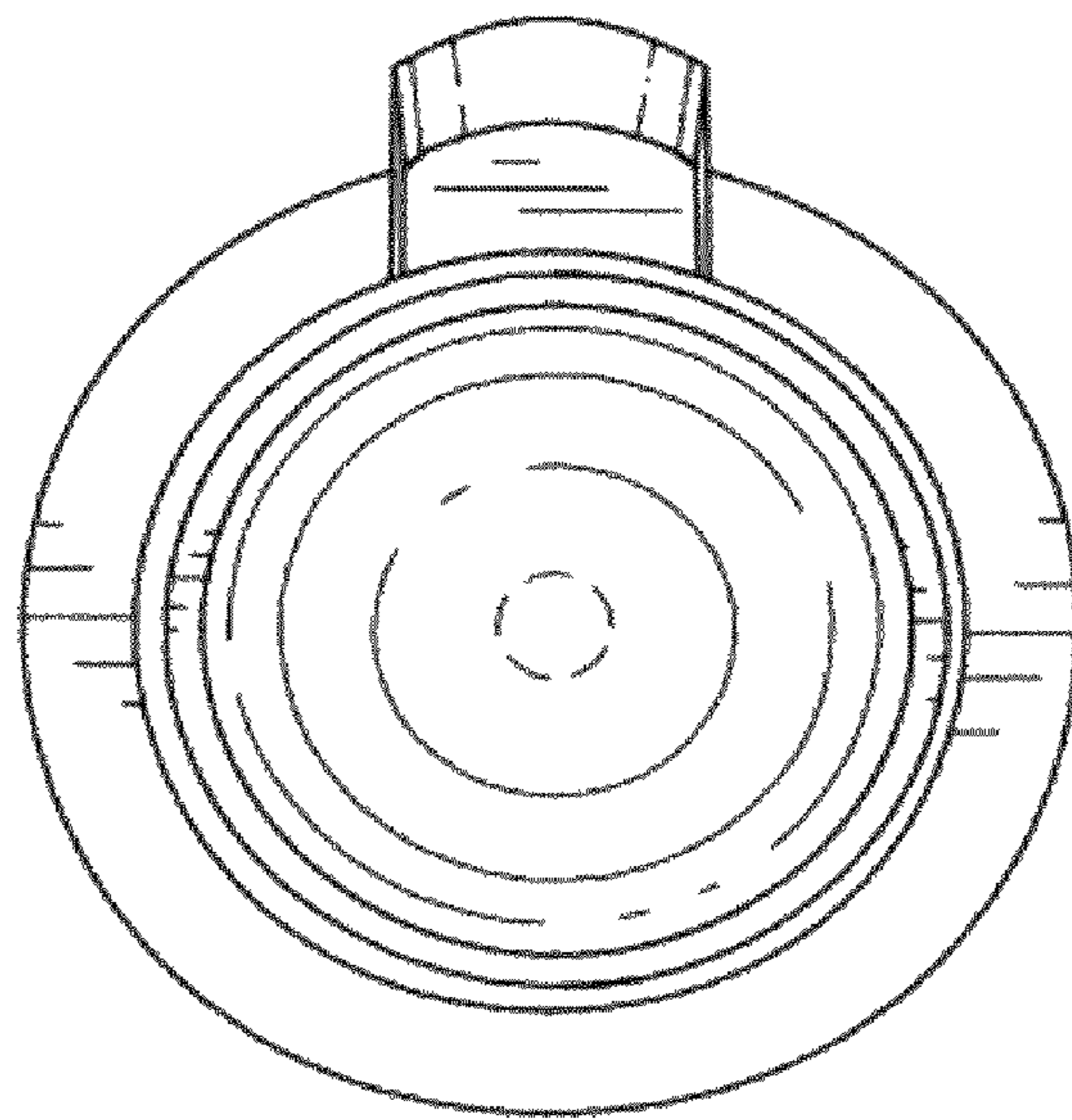


Fig. 6.