

US00D662980S

(12) **United States Design Patent**
Jiang

(10) **Patent No.:** **US D662,980 S**
(45) **Date of Patent:** **** Jul. 3, 2012**

(54) **PEN**
(75) Inventor: **Linghua Jiang**, Ningbo (CN)
(73) Assignee: **Beifa Group Co., Ltd.**, Ningbo (CN)
(**) Term: **14 Years**
(21) Appl. No.: **29/389,625**
(22) Filed: **Apr. 14, 2011**

D391,153 S 2/1998 Poisson
D395,672 S 6/1998 Navarro
D398,642 S 9/1998 Avenatti
D452,527 S 12/2001 Maki
D484,536 S 12/2003 Takashi
D530,745 S * 10/2006 Kent et al. D19/43
D530,748 S * 10/2006 Kent et al. D19/57
D540,383 S 4/2007 Nishida
D546,387 S * 7/2007 Qiu D19/43
D549,775 S * 8/2007 Kent et al. D19/48
D552,175 S * 10/2007 Boerio D19/49
D586,853 S * 2/2009 Tan D19/49

(Continued)

(30) **Foreign Application Priority Data**

Oct. 14, 2010 (CN) 2010 3 0567725

(51) **LOC (9) Cl.** **19-06**
(52) **U.S. Cl.** **D19/43**
(58) **Field of Classification Search** D19/35,
D19/36, 41-51, 54-58; 24/11 R, 11 F, 11 P;
401/52, 99, 100-109, 192, 195, 196; D14/411
See application file for complete search history.

(56) **References Cited**

U.S. PATENT DOCUMENTS

D206,735 S * 1/1967 Levy D19/57
D221,033 S * 6/1971 Wakai D19/43
3,774,389 A * 11/1973 Wilken 368/216
D273,399 S * 4/1984 Zierhut D19/57
D273,400 S * 4/1984 Zierhut D19/57
D273,401 S * 4/1984 Zierhut D19/57
D284,676 S * 7/1986 Malm D19/51
D328,311 S 7/1992 Nitta
5,174,672 A * 12/1992 Townsend 401/6
5,230,578 A * 7/1993 Fuhrmann et al. 401/202
D345,578 S 3/1994 Zier
D363,308 S 10/1995 Sekine
D374,460 S 10/1996 Young
D375,323 S * 11/1996 Young D19/49
D377,194 S 1/1997 Young
5,599,127 A * 2/1997 Fuhrmann et al. 401/202
D379,372 S * 5/1997 Young D19/49
D383,780 S 9/1997 Young

OTHER PUBLICATIONS

Jiang, L., and W. Liang, "Pen," U.S. Appl. No. 291389,690, filed Apr. 14, 2011.

(Continued)

Primary Examiner — Elizabeth Albert
(74) *Attorney, Agent, or Firm* — Christensen O'Connor Johnson Kindness PLLC

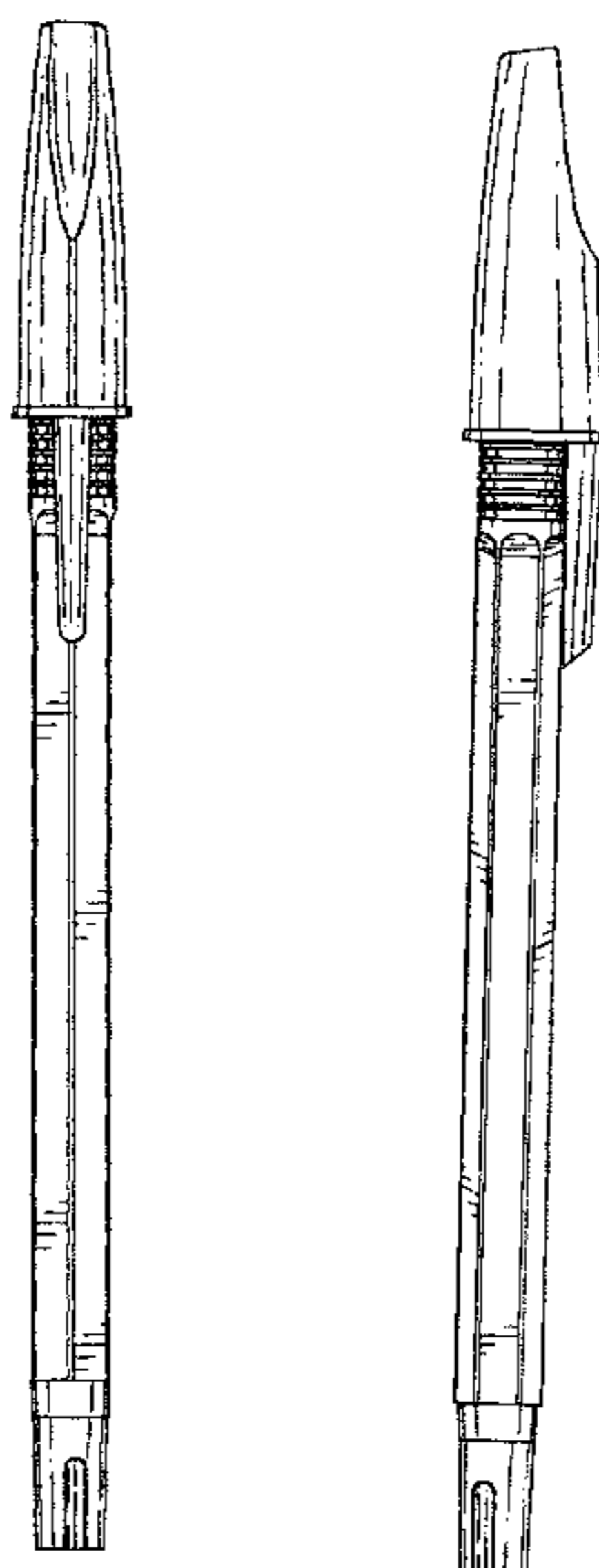
(57) **CLAIM**

The ornamental design for a pen, as shown and described.

DESCRIPTION

FIG. 1 is a front perspective view of a pen showing my new design;
FIG. 2 is a lower front left perspective view thereof;
FIG. 3 is a front elevation view thereof;
FIG. 4 is an enlarged top plan view thereof;
FIG. 5 is a rear elevation view thereof;
FIG. 6 is a left side elevation view thereof;
FIG. 7 is an enlarged bottom plan view thereof; and,
FIG. 8 is a right side elevation view thereof.
The broken lines shown in FIGS. 4 and 5 illustrate environmental subject matter and form no part of the claimed design.

1 Claim, 3 Drawing Sheets



US D662,980 S

Page 2

U.S. PATENT DOCUMENTS

| | | | | | | |
|----------|---|---|---------|--------------|-------|--------|
| D586,854 | S | * | 2/2009 | Tan | | D19/49 |
| D612,426 | S | * | 3/2010 | Suero et al. | | D19/41 |
| D616,935 | S | | 6/2010 | Zhang | | |
| D641,787 | S | * | 7/2011 | Tan | | D19/48 |
| D647,961 | S | * | 11/2011 | Zhang | | D19/43 |
| D648,386 | S | * | 11/2011 | Zhang | | D19/43 |
| D655,337 | S | * | 3/2012 | Zhang | | D19/45 |

OTHER PUBLICATIONS

Liang, W., and L. Jiang, "Pen," U.S. Appl. No. 29/389,688, filed Apr. 14, 2011.

Tan, J., "Pen," U.S. Appl. No. 29/368,691, filed Aug. 27, 2010.

Xie, J., "Pen," U.S. Appl. No. 29/389,687, filed Apr. 14, 2011.

* cited by examiner

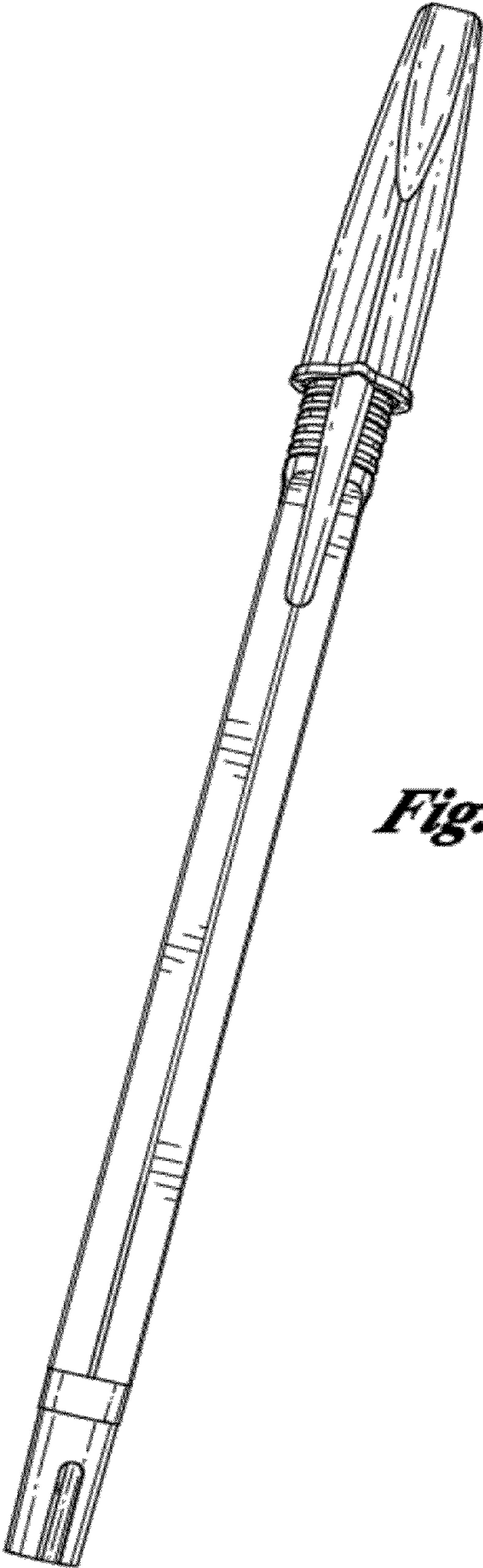


Fig. 1.

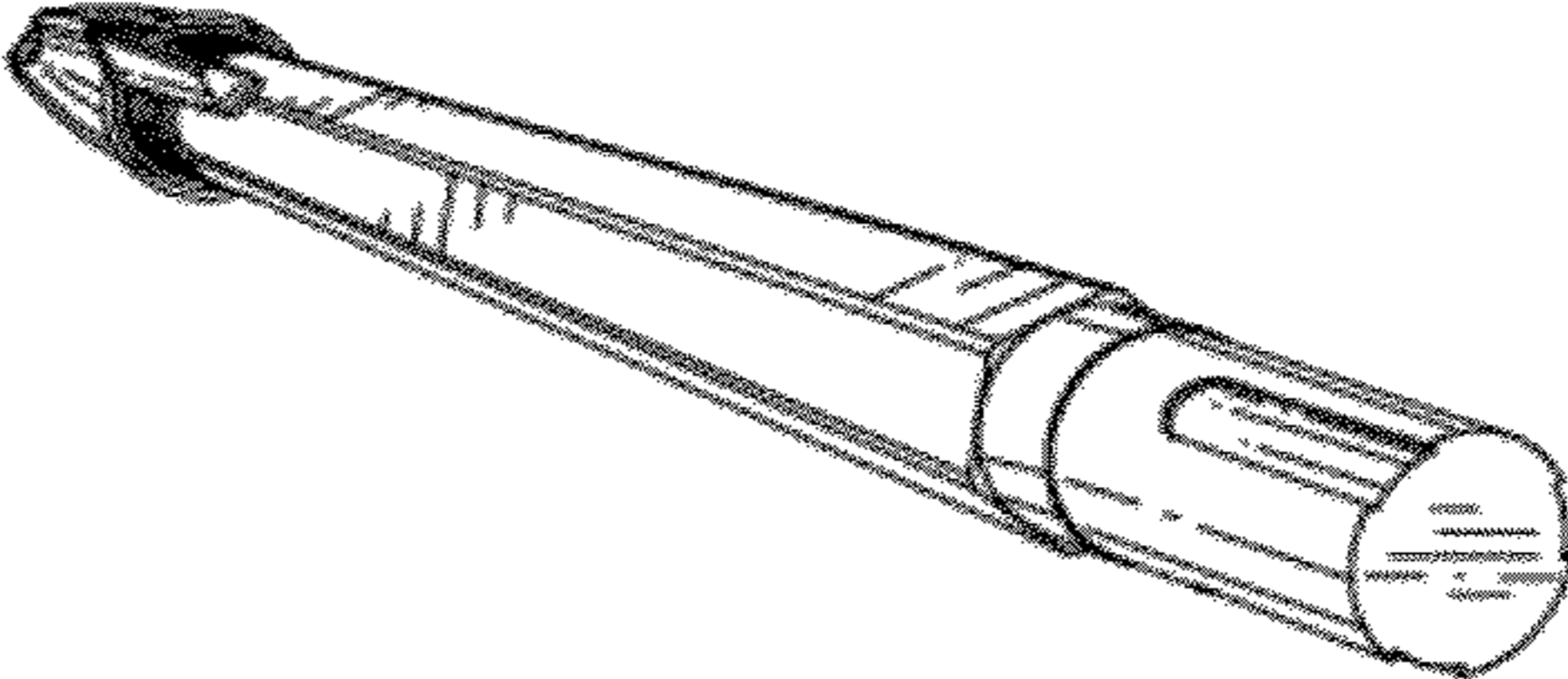


Fig. 2.

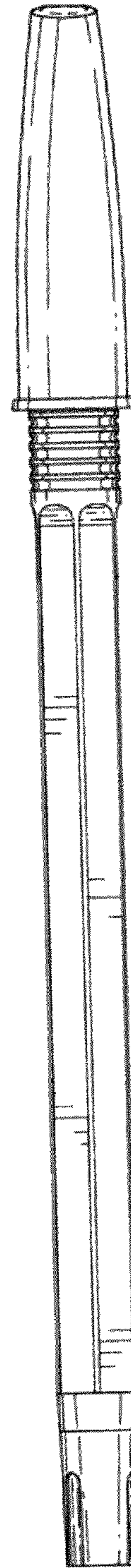
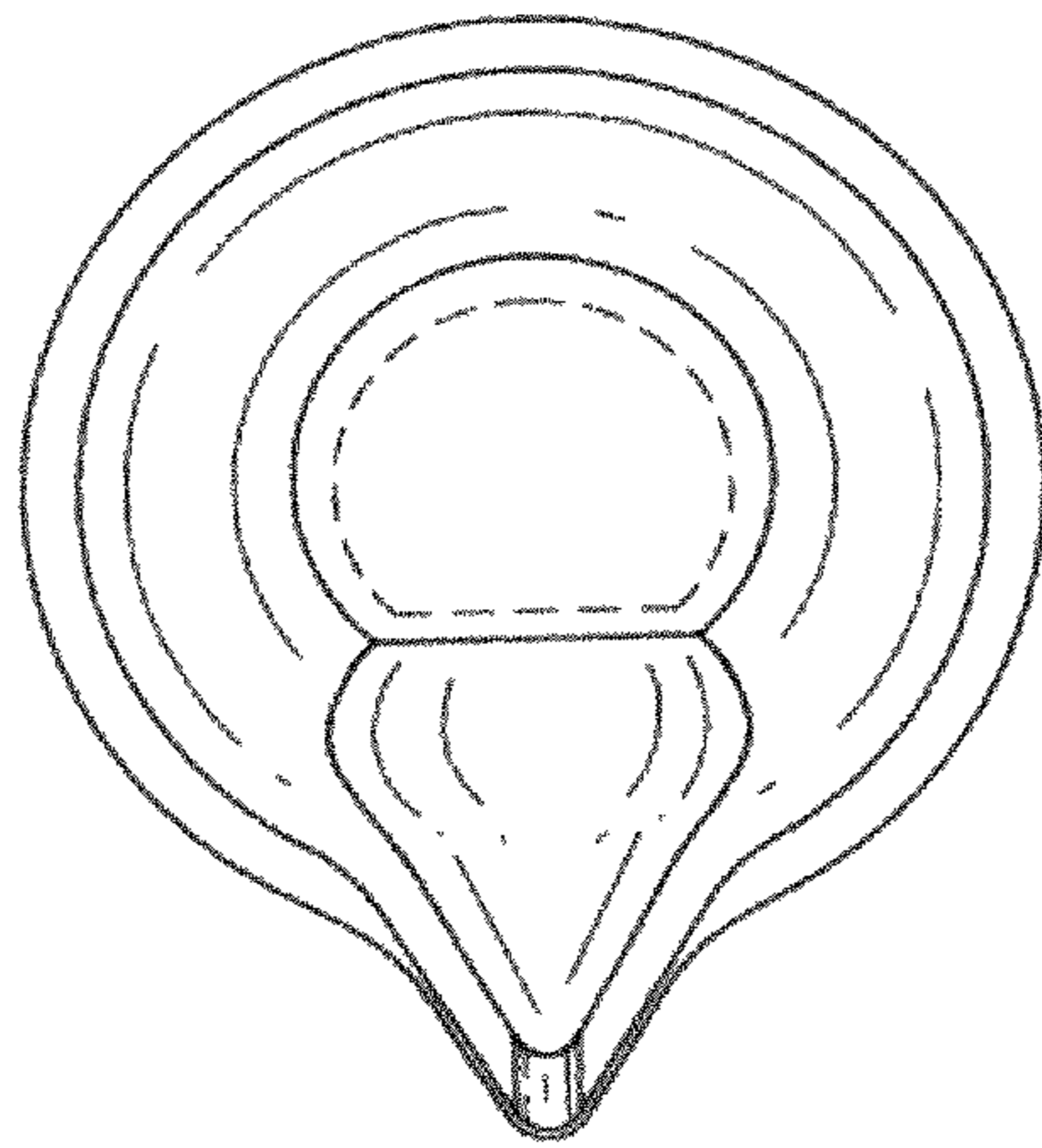
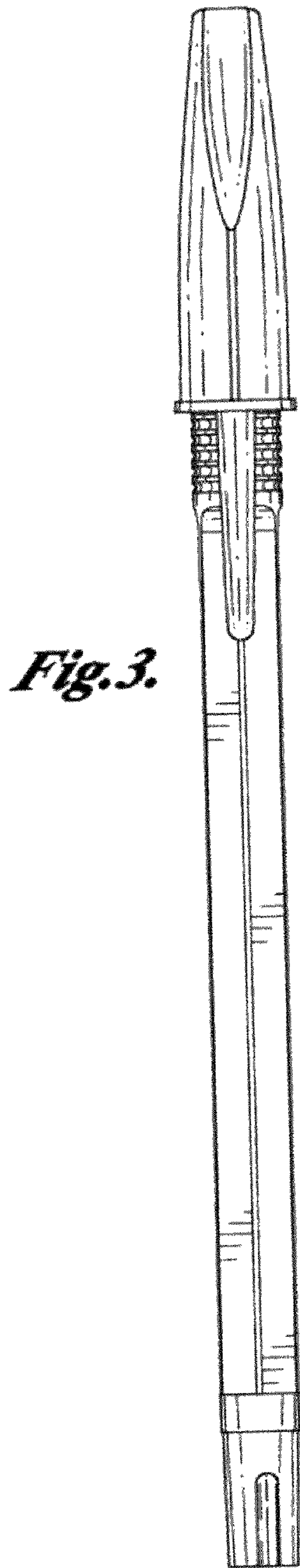


Fig. 6.

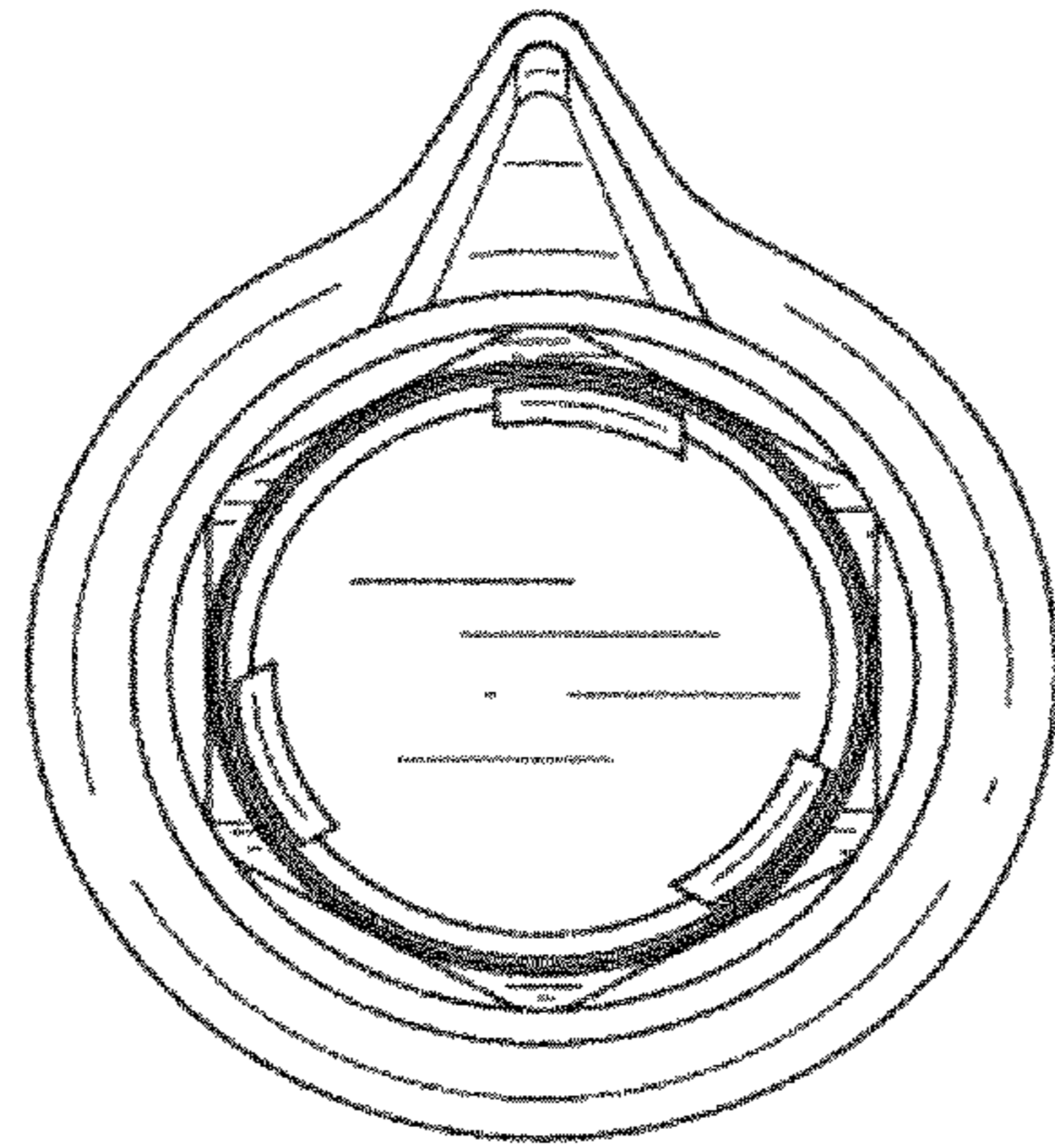
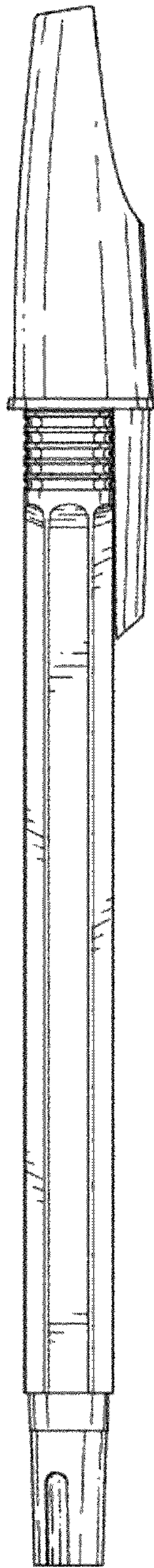


Fig. 7.

Fig. 8.

