



US00D662977S

(12) **United States Design Patent**  
**Liang**

(10) **Patent No.:** **US D662,977 S**  
(45) **Date of Patent:** **\*\* Jul. 3, 2012**

(54) **PEN**  
(75) Inventor: **Wenyan Liang**, Ningbo (CN)  
(73) Assignee: **Beifa Group Co., Ltd.**, Ningbo (CN)  
(\*\*) Term: **14 Years**

D549,775 S \* 8/2007 Kent et al. .... D19/48  
D572,308 S \* 7/2008 Bhavnani  
D586,853 S \* 2/2009 Tan ..... D19/49  
D586,854 S \* 2/2009 Tan ..... D19/49  
D612,426 S \* 3/2010 Suero et al. .... D19/41  
D616,935 S \* 6/2010 Zhang  
D647,961 S \* 11/2011 Zhang ..... D19/43  
D655,337 S \* 3/2012 Zhang ..... D19/45

(21) Appl. No.: **29/389,574**  
(22) Filed: **Apr. 13, 2011**

**OTHER PUBLICATIONS**

Jiang, L., and W. Liang, "Pen," U.S. Appl. No. 29/389,690, filed Apr. 14, 2011.  
Liang, W., and L. Jiang, "Pen," U.S. Appl. No. 29/389,688, filed Apr. 14, 2011.  
Xie, J., "Pen," U.S. Appl. No. 29/389,633, filed Apr. 14, 2011.  
Zhang, B., "Pen," U.S. Appl. No. 29/383,985, filed Jan. 25, 2011.  
Zhang, B., "Pen," U.S. Appl. No. 29/386,543, filed Mar. 2, 2011.

(30) **Foreign Application Priority Data**

Oct. 14, 2010 (CN) ..... 2010 3 0567680

(51) **LOC (9) Cl.** ..... **19-06**  
(52) **U.S. Cl.** ..... **D19/43**  
(58) **Field of Classification Search** ..... D19/35,  
D19/36, 41-51, 54-58; 24/11 R, 11 F, 11 P;  
401/52, 99, 100-109, 192, 195, 196; D14/411  
See application file for complete search history.

\* cited by examiner

*Primary Examiner* — Elizabeth Albert  
(74) *Attorney, Agent, or Firm* — Christensen O'Connor Johnson Kindness PLLC

(56) **References Cited**

**U.S. PATENT DOCUMENTS**

D206,735 S \* 1/1967 Levy ..... D19/57  
D221,033 S \* 6/1971 Wakai ..... D19/43  
D273,400 S \* 4/1984 Zierhut ..... D19/57  
D273,401 S \* 4/1984 Zierhut ..... D19/57  
D328,311 S 7/1992 Nitta  
D363,308 S 10/1995 Sekine  
D374,460 S 10/1996 Young  
D377,194 S 1/1997 Young  
D383,780 S 9/1997 Young  
D409,661 S 5/1999 Izushima  
D430,212 S 8/2000 Keda  
D430,609 S 9/2000 Keda  
D484,536 S 12/2003 Takashi  
D506,501 S 6/2005 Qiu  
D540,383 S 4/2007 Nishida  
D546,387 S \* 7/2007 Qiu ..... D19/43  
D547,802 S \* 7/2007 Jeon ..... D19/43

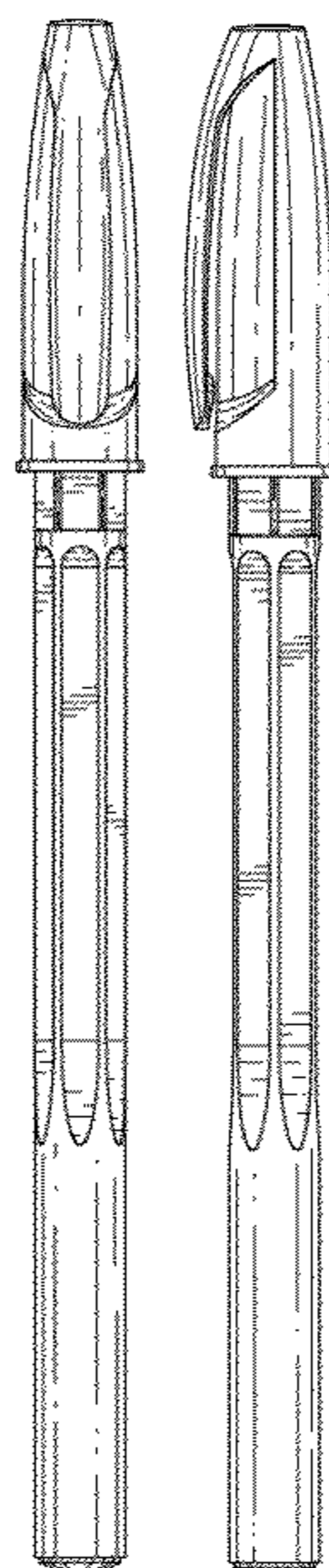
(57) **CLAIM**

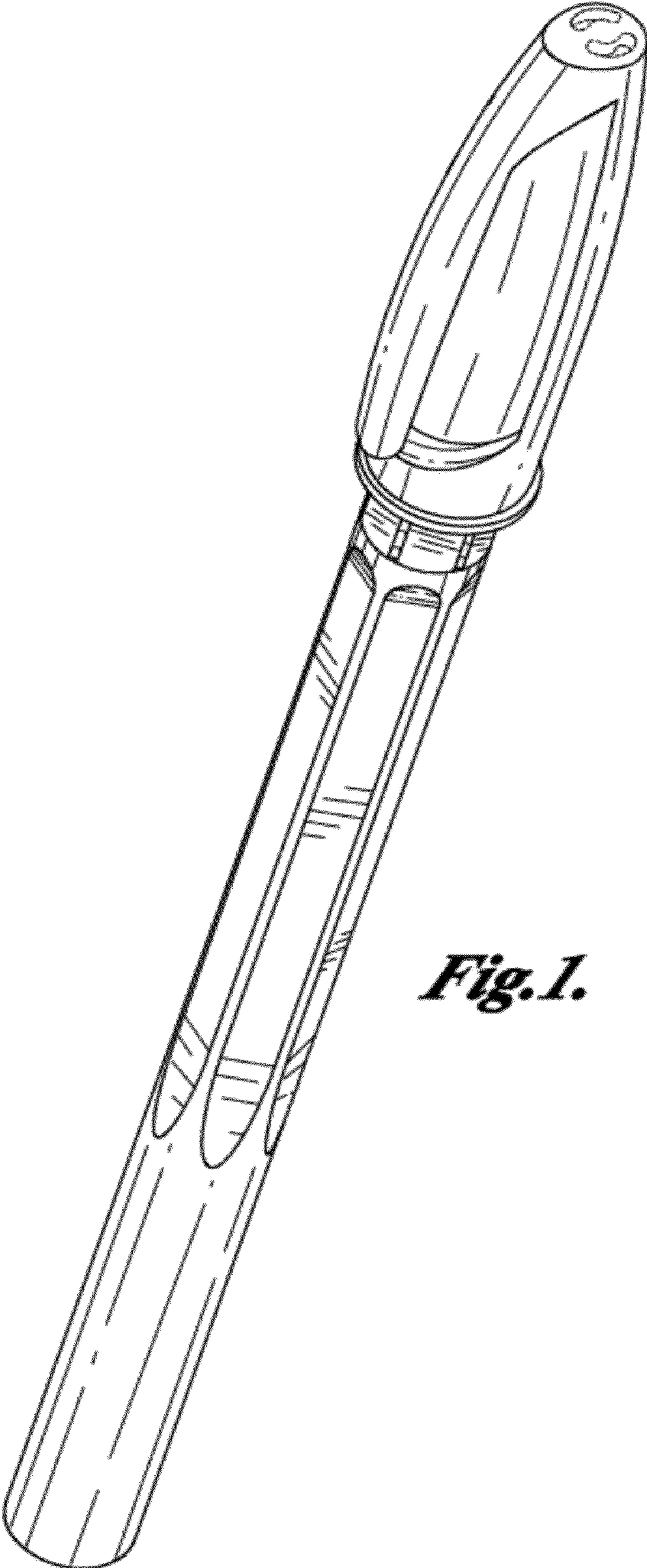
The ornamental design for a pen, as shown and described.

**DESCRIPTION**

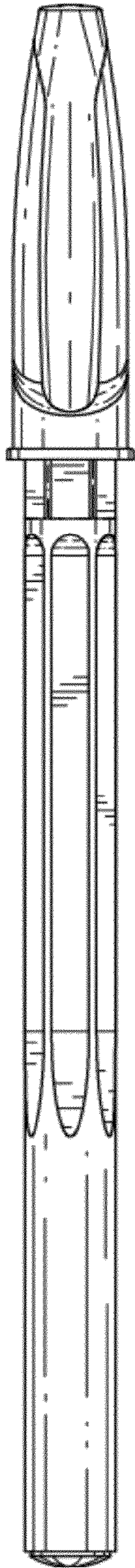
FIG. 1 is an upper front right perspective view of a pen showing my new design;  
FIG. 2 is a front elevation view thereof;  
FIG. 3 is a rear elevation view thereof;  
FIG. 4 is a right side elevation view thereof, with the left side elevation view being a mirror image of the right side elevation view;  
FIG. 5 is an enlarged top plan view thereof; and,  
FIG. 6 is an enlarged bottom plan view thereof.  
The broken lines shown in FIGS. 1 and 5 illustrate environmental subject matter and form no part of the claimed design.

**1 Claim, 3 Drawing Sheets**

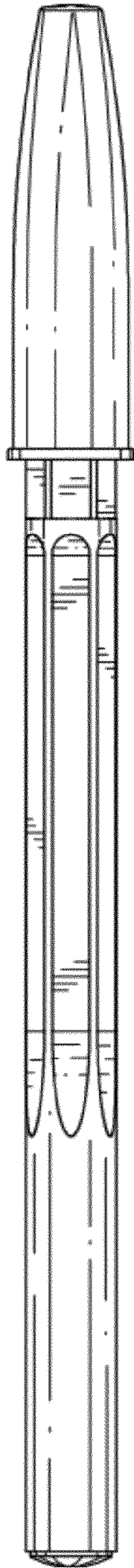




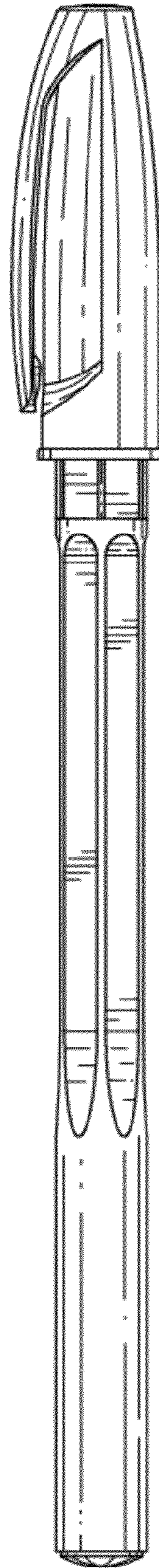
*Fig. 1.*



*Fig. 2.*



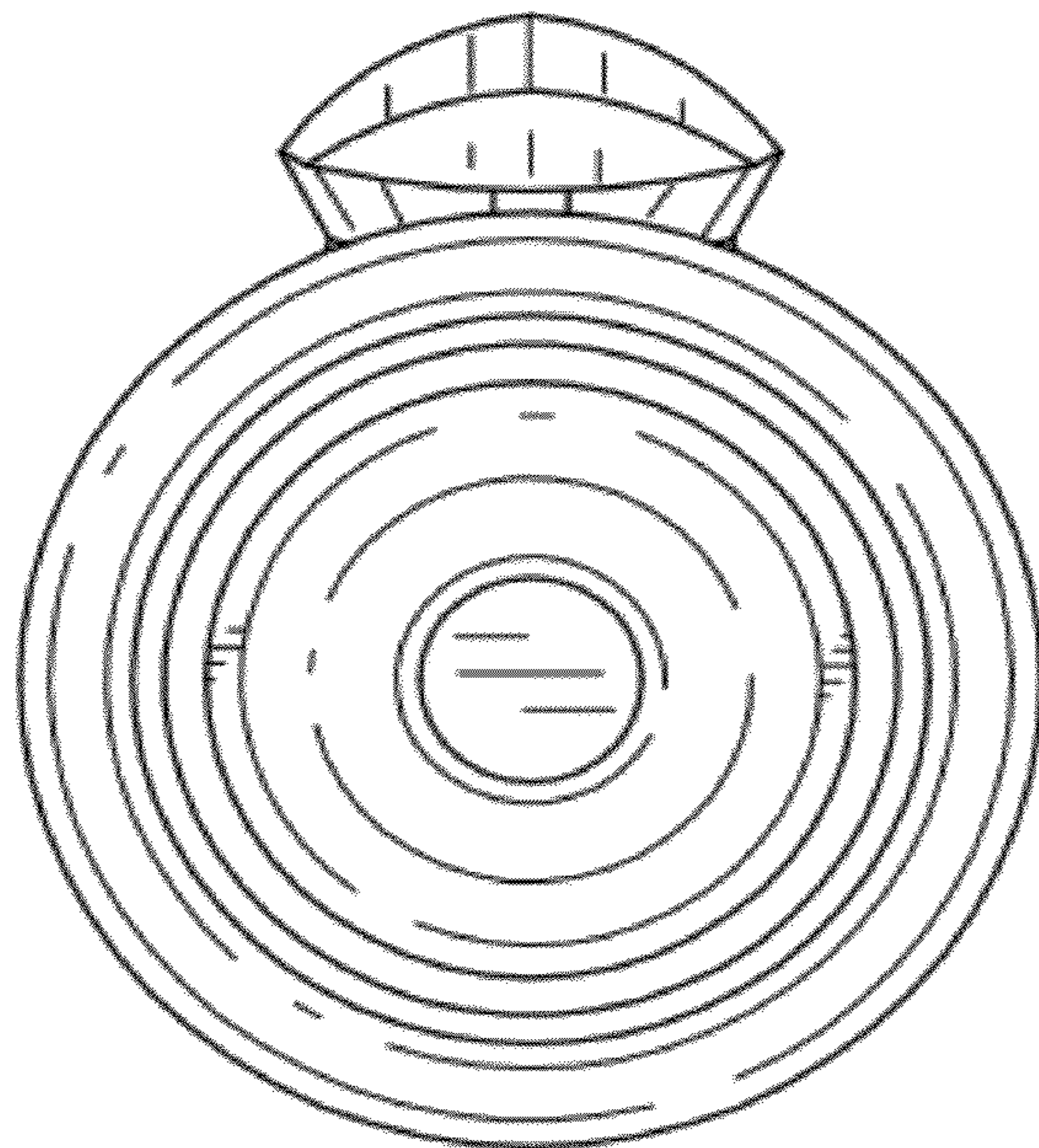
*Fig. 3.*



*Fig. 4.*



*Fig. 5.*



*Fig. 6.*