

US00D662973S

(12) **United States Design Patent**
Muraoka et al.

(10) **Patent No.:** **US D662,973 S**
(45) **Date of Patent:** **** Jul. 3, 2012**

(54) **PRINTER**

(75) Inventors: **Tsuyoshi Muraoka**, Minato-ku (JP);
Atsuo Nakagawa, Minato-ku (JP);
Tomoaki Ueda, Minato-ku (JP); **Atsushi Fukutani**, Minato-ku (JP); **Takeshi Kaminosono**, Minato-ku (JP)

(73) Assignee: **Sinfonia Technology Co., Ltd.**, Tokyo (JP)

(**) Term: **14 Years**

(21) Appl. No.: **29/401,795**

(22) Filed: **Sep. 15, 2011**

(30) **Foreign Application Priority Data**

Mar. 17, 2011 (JP) 2011-006110

(51) **LOC (9) Cl.** **18-02**

(52) **U.S. Cl.** **D18/53**

(58) **Field of Classification Search** D18/53,
D18/50, 55, 36-39, 40, 46-49; D14/301,
D14/303; 270/1.01; 271/8.1; 101/2; 358/1.1;
355/78; 399/361

See application file for complete search history.

(56) **References Cited**

U.S. PATENT DOCUMENTS

D299,926 S * 2/1989 Katada et al. D18/38
D355,925 S * 2/1995 Saunders et al. D18/39
D382,893 S * 8/1997 Takenouchi D18/39
D404,418 S * 1/1999 Takeuchi D18/39
D423,558 S * 4/2000 Takimura D18/39

D445,449 S * 7/2001 Takenouchi et al. D18/53
D486,852 S * 2/2004 Shiozaki D18/53
7,451,697 B2 * 11/2008 Moore 101/181
D622,761 S * 8/2010 Kim et al. D18/53
D631,504 S * 1/2011 Suzuki et al. D18/39
D631,505 S * 1/2011 Suzuki et al. D18/39
2011/0033794 A1 * 2/2011 Watanabe et al. 430/105

* cited by examiner

Primary Examiner — Bridget L Eland

(74) *Attorney, Agent, or Firm* — Oblon, Spivak, McClelland, Maier & Neustadt, L.L.P.

(57) **CLAIM**

The ornamental design for a printer, as shown and described.

DESCRIPTION

FIG. 1 is a front, top, and left side perspective view of a printer showing our new design;

FIG. 2 is a front elevational view thereof;

FIG. 3 is a rear elevational view thereof;

FIG. 4 is a top plan view thereof;

FIG. 5 is a bottom plan view thereof;

FIG. 6 is a right side elevational view thereof;

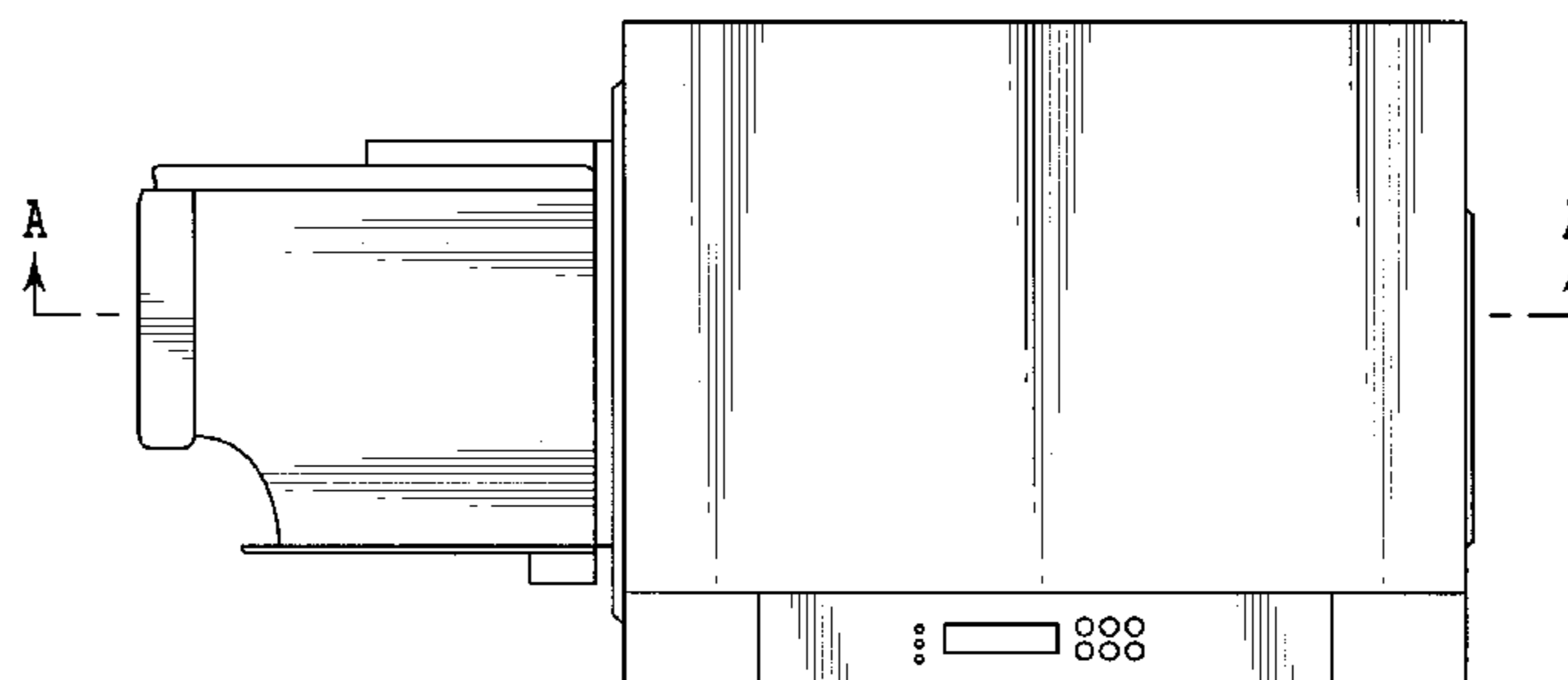
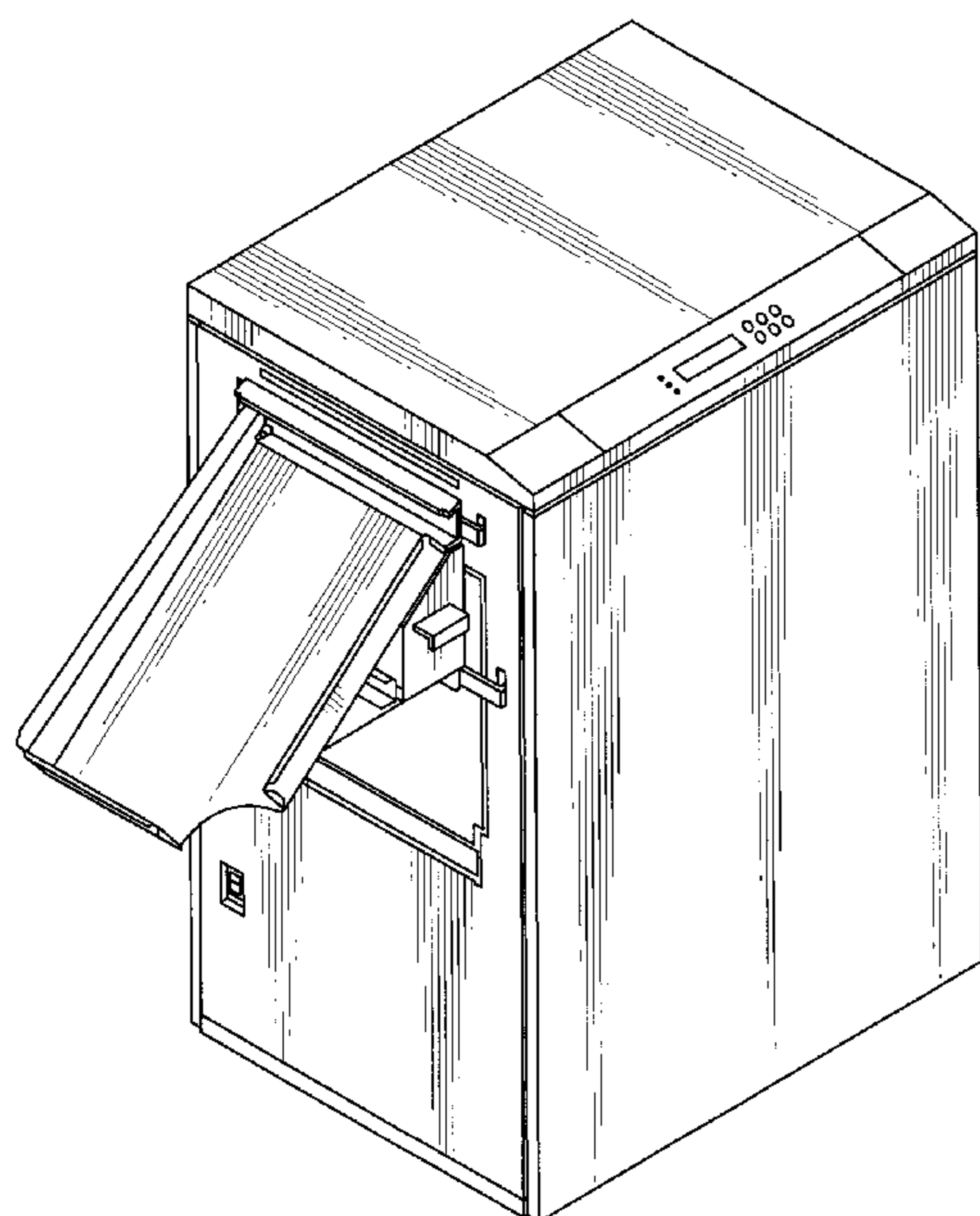
FIG. 7 is a left side elevational view thereof;

FIG. 8 is a section view thereof taken along line A-A of FIG. 4; and,

FIG. 9 is a front, top, and left side perspective view thereof with a bin drawn out.

The broken lines immediately adjacent the shaded areas represent the bounds of the claimed design while all other broken lines are directed to environment and are for illustrative purposes only; the broken lines form no part of the claimed design.

1 Claim, 9 Drawing Sheets



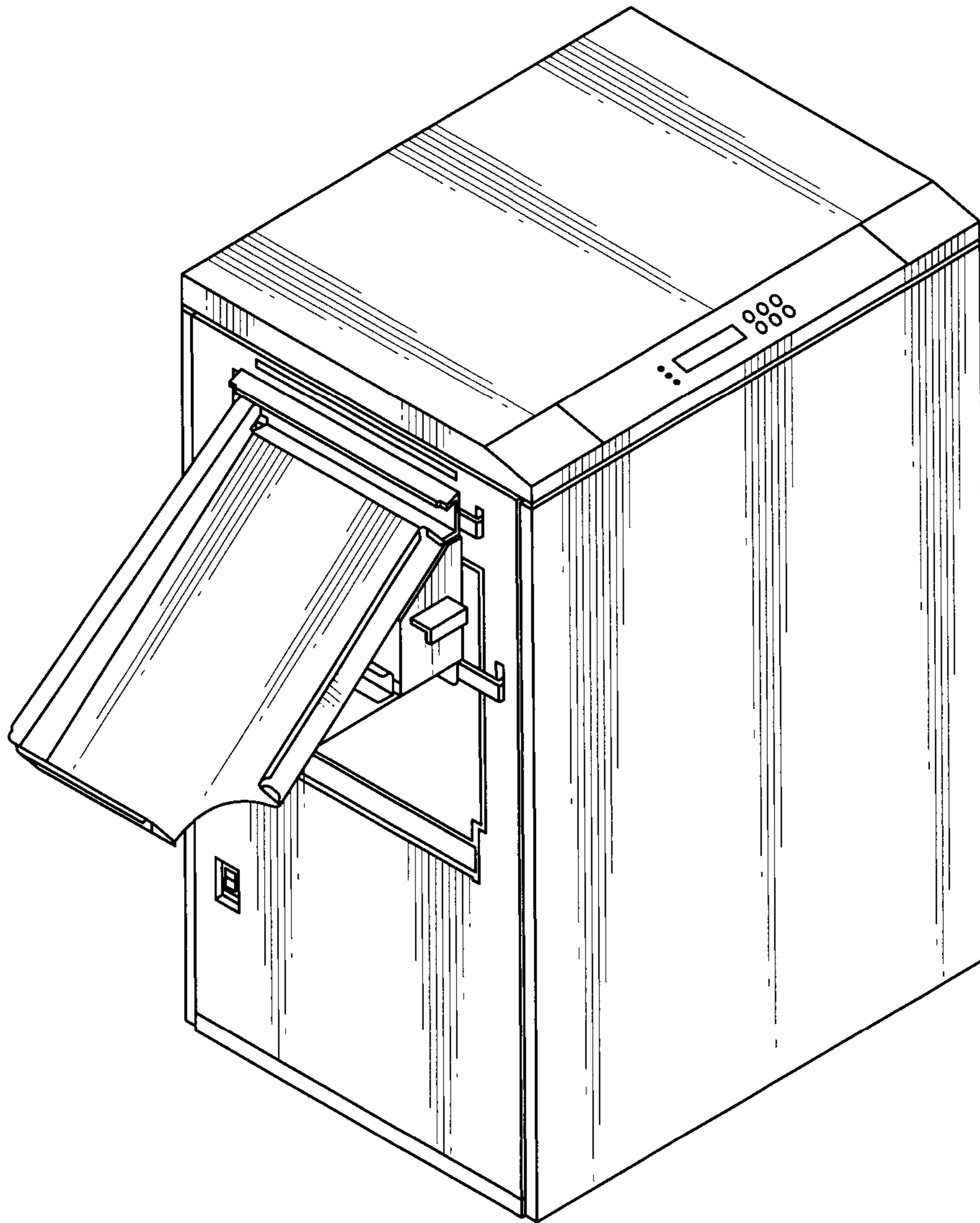


Fig. 1

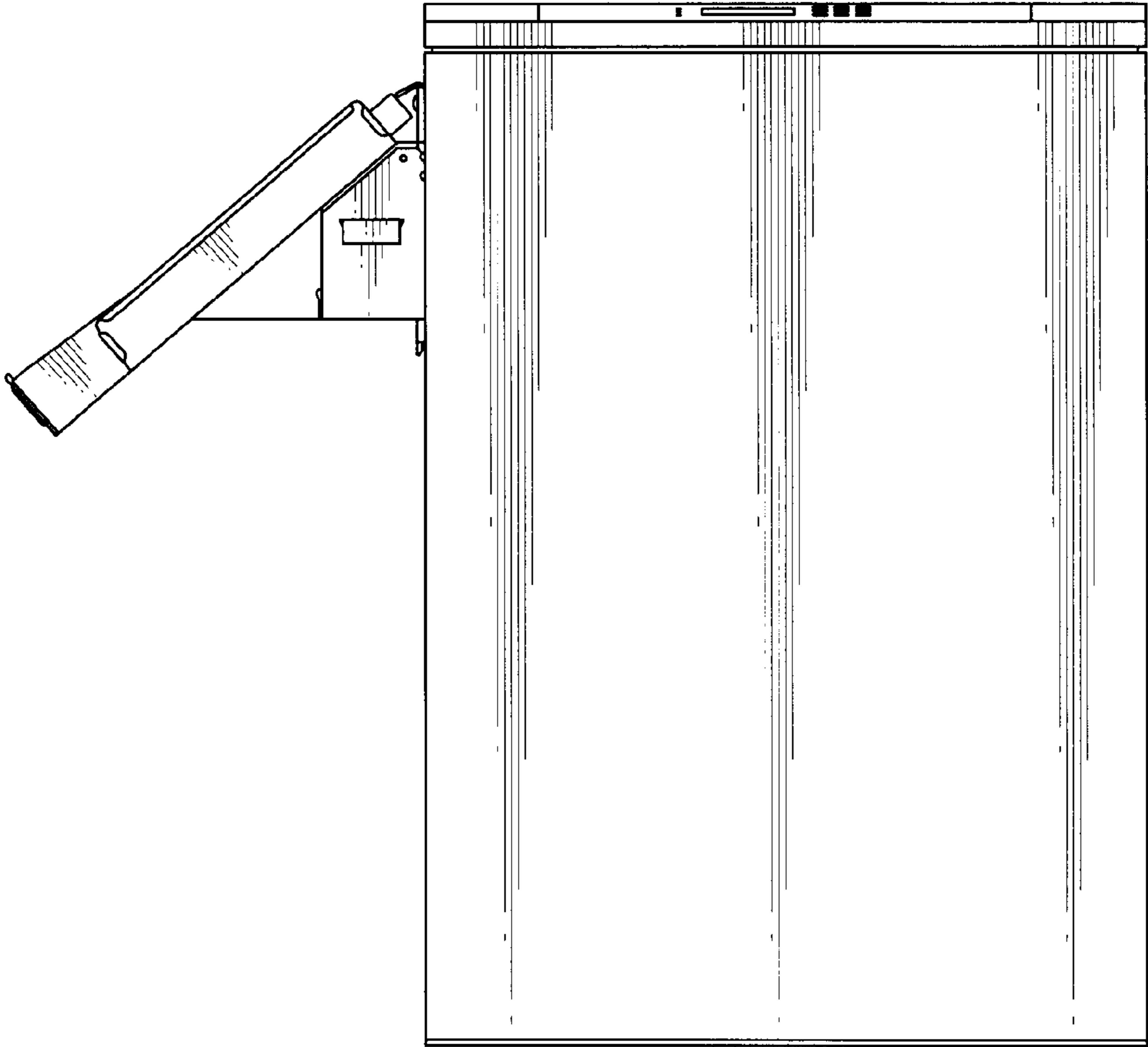


Fig. 2

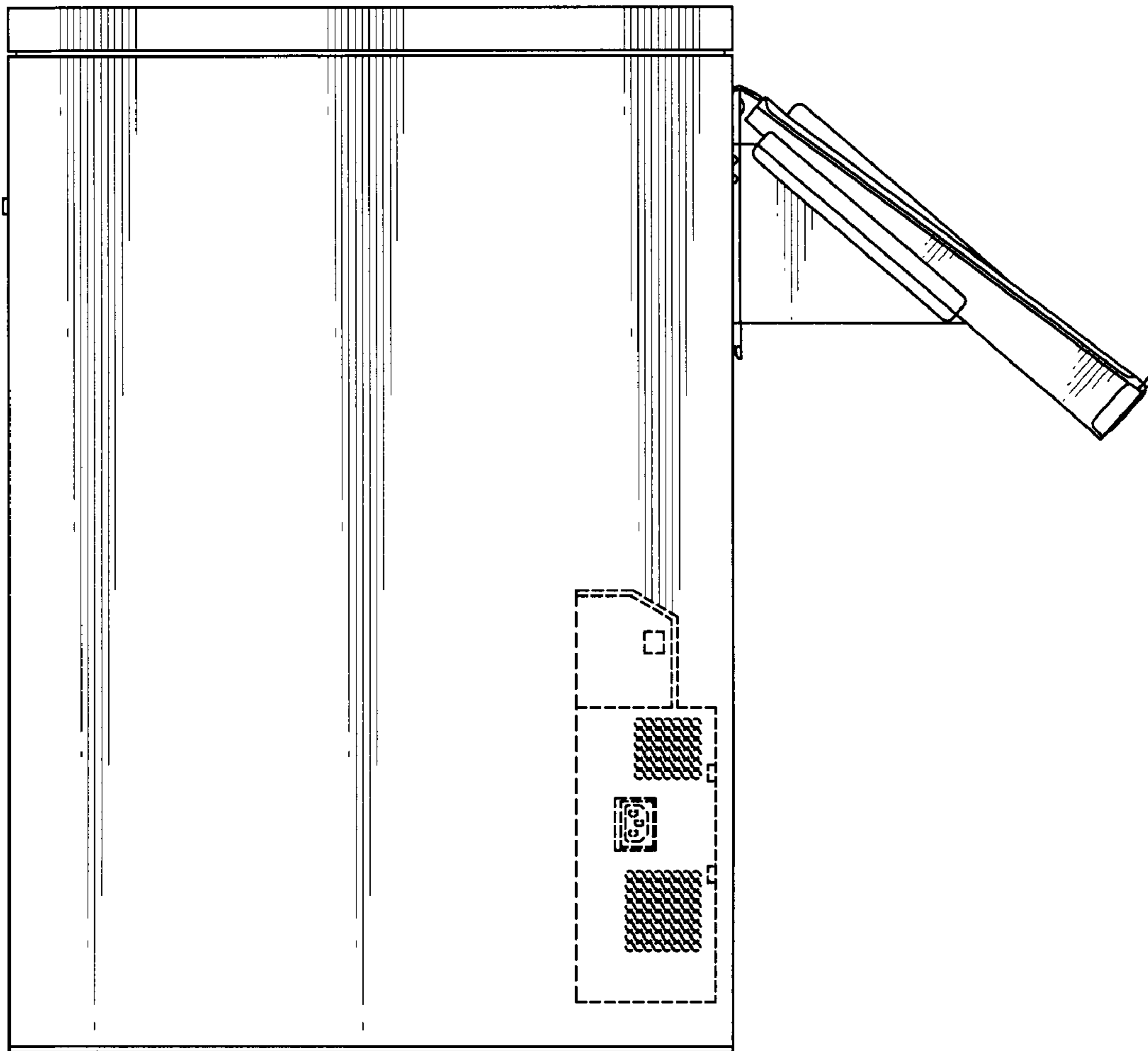


Fig. 3

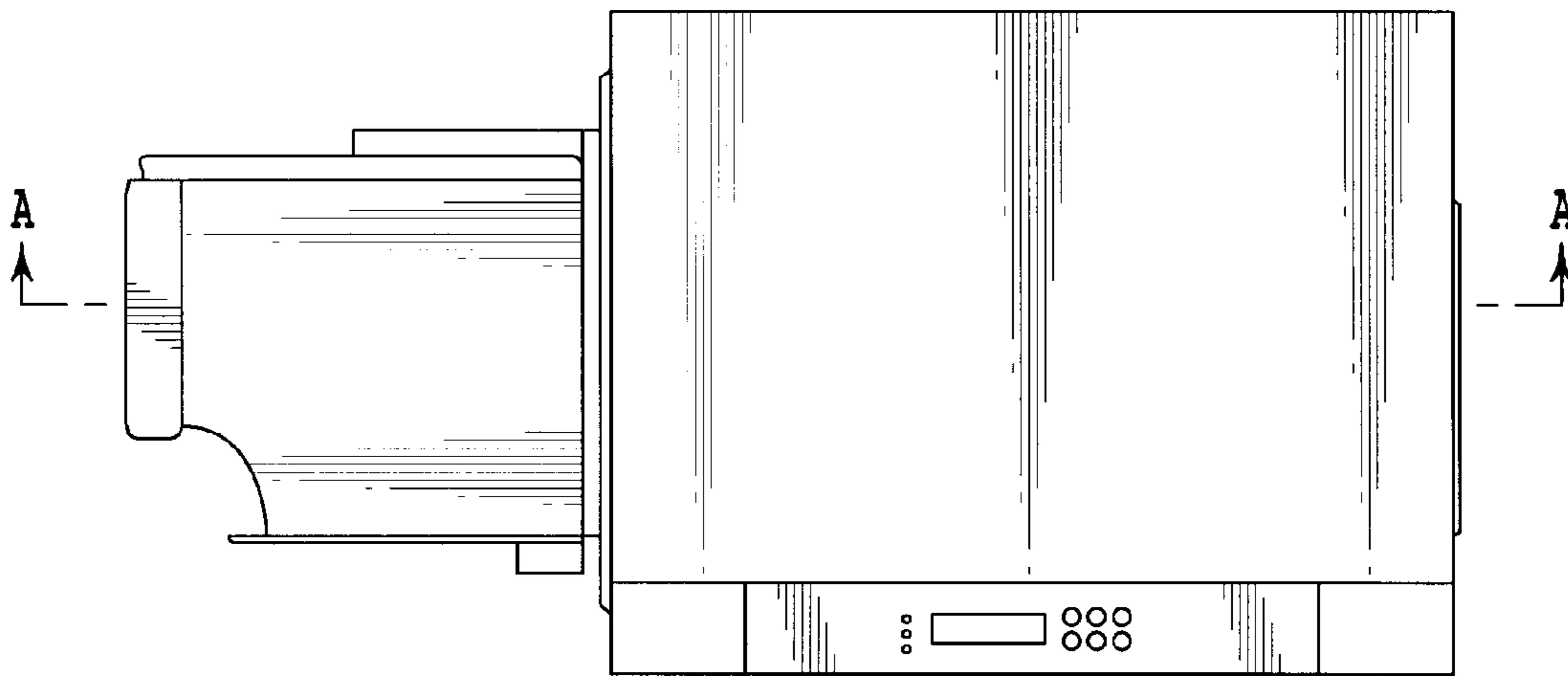


Fig. 4

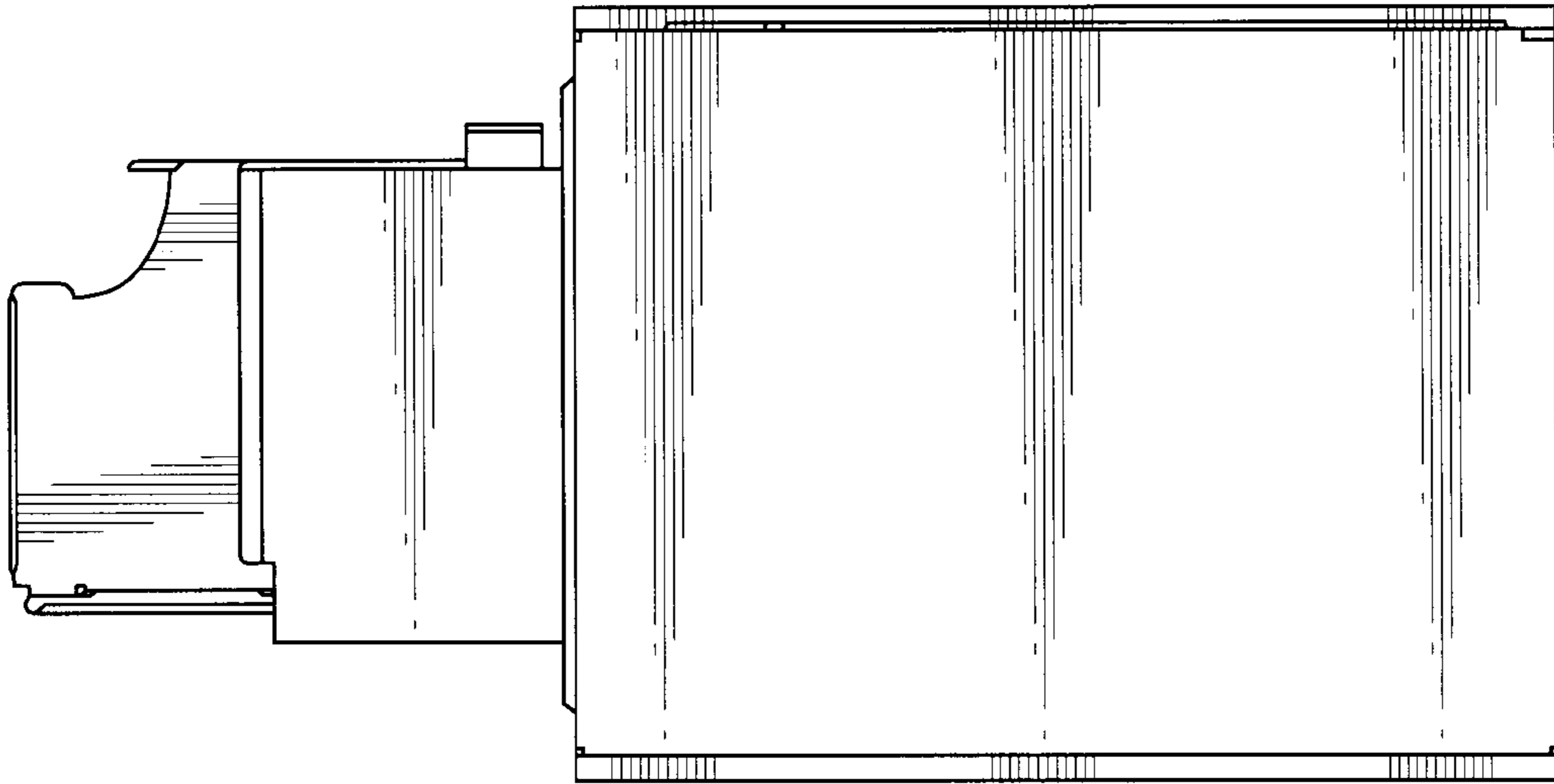


Fig. 5

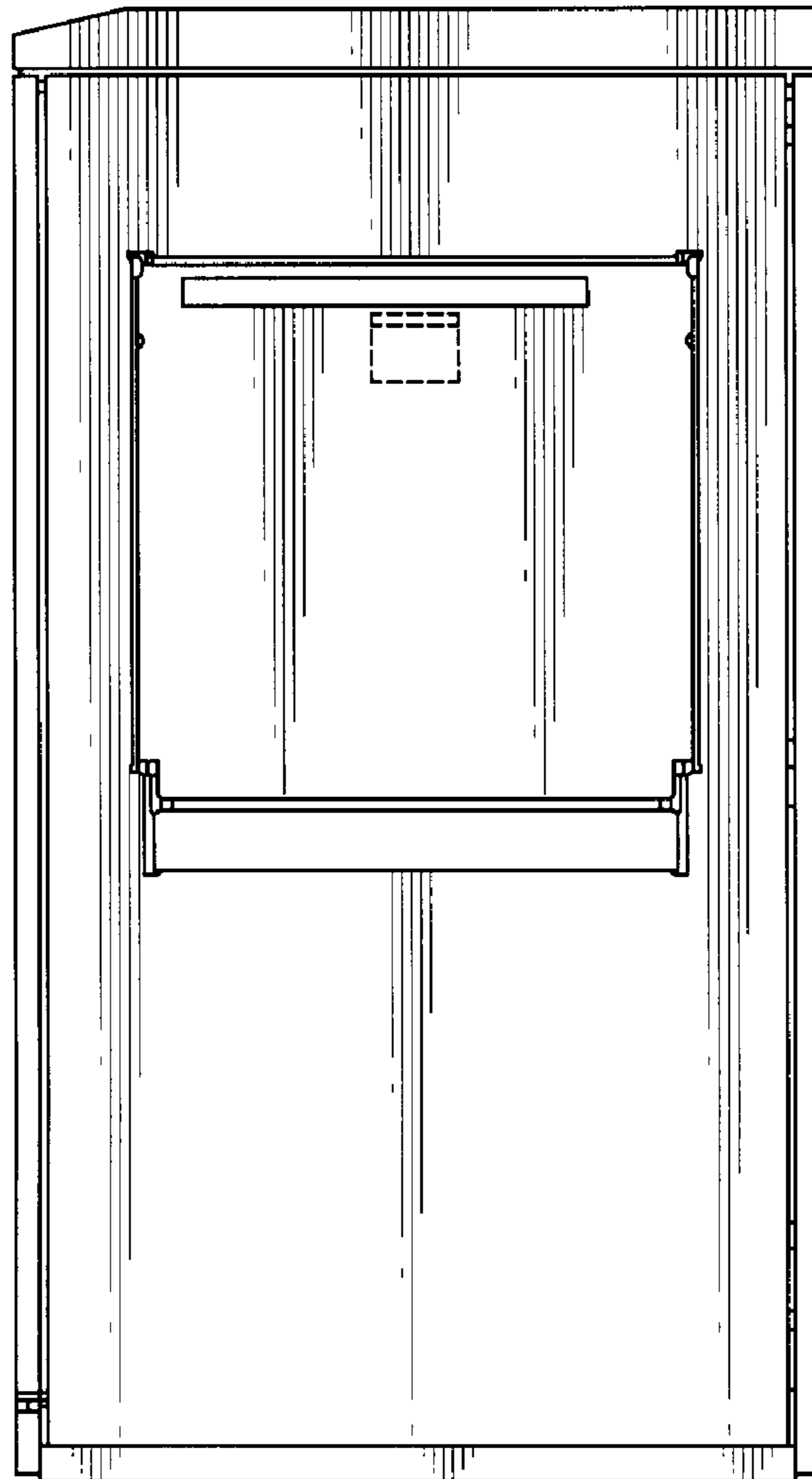


Fig. 6

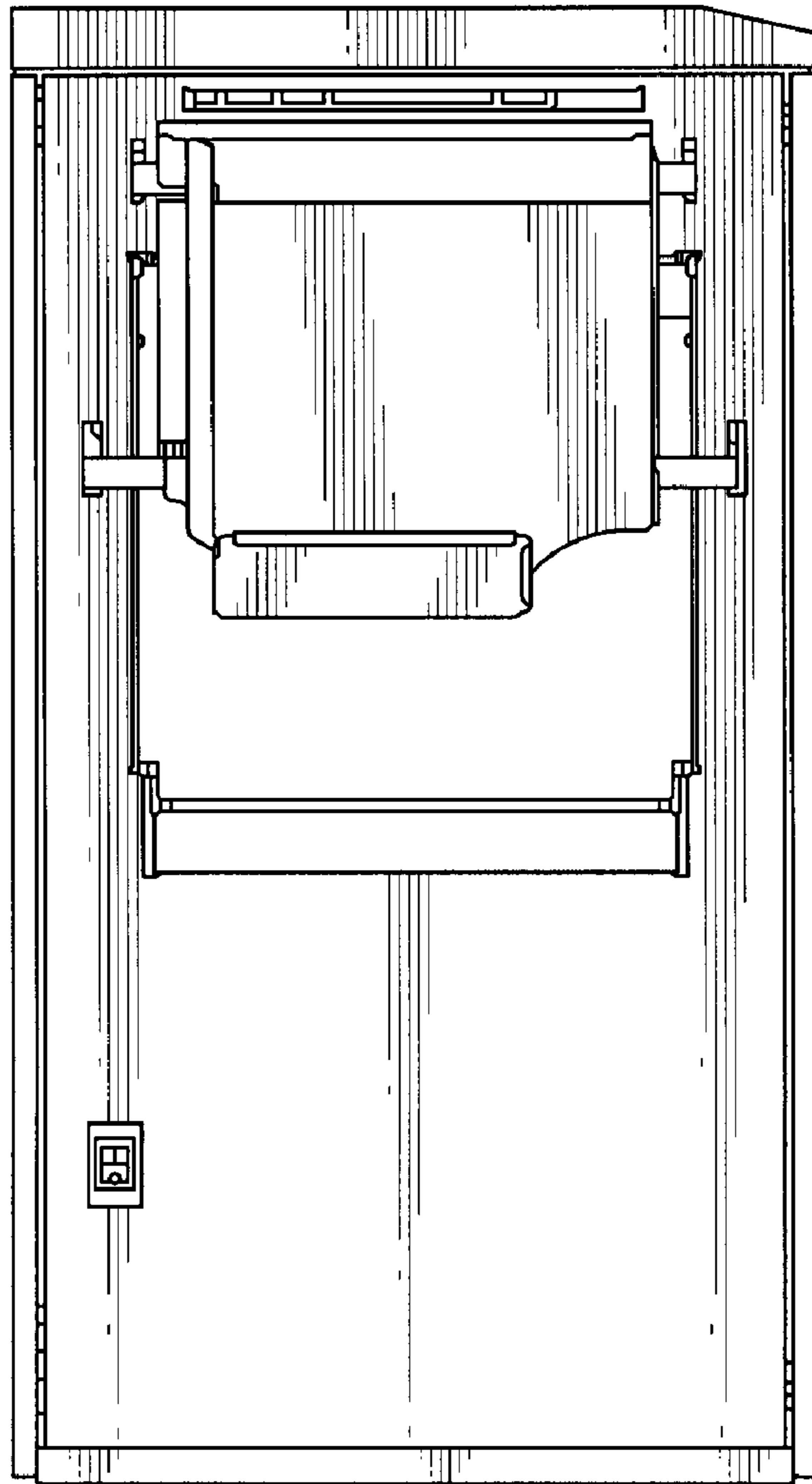


Fig. 7

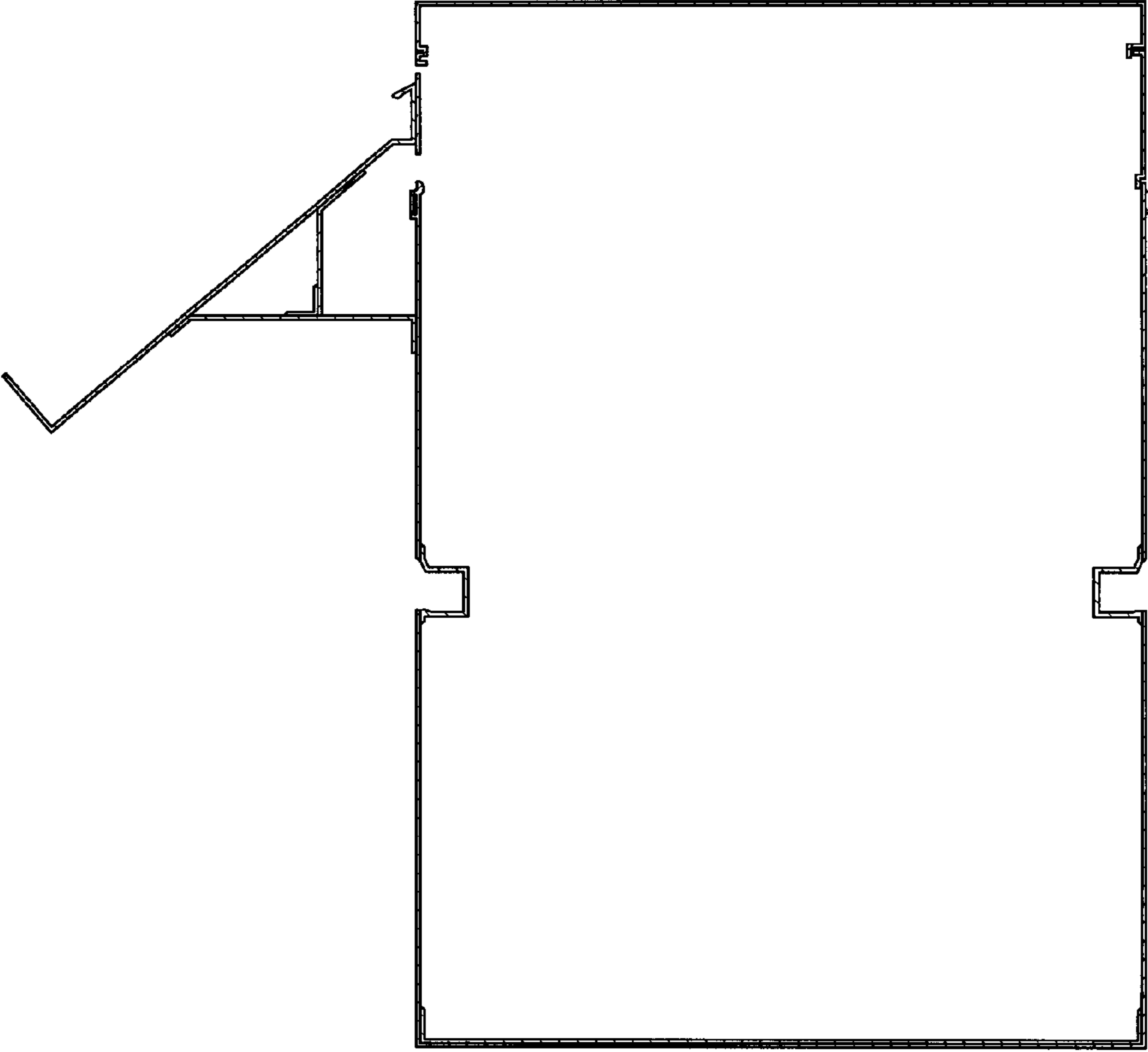


Fig. 8

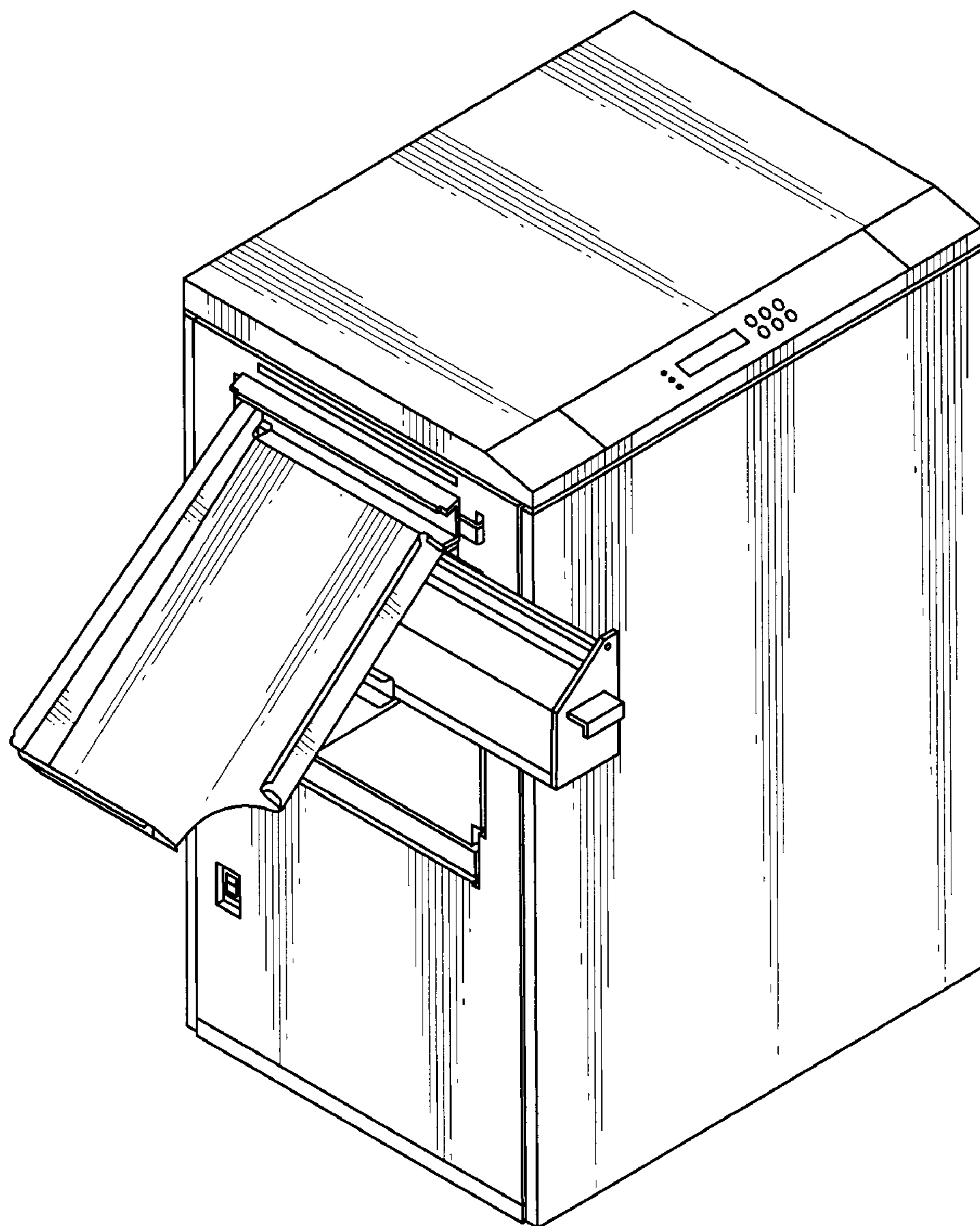


Fig. 9