

US00D662968S

(12) **United States Design Patent**
Bogle

(10) **Patent No.:** **US D662,968 S**
(45) **Date of Patent:** **** Jul. 3, 2012**

(54) **AUXILIARY CLIP-ON FOR EYEGLASSES**

D401,960 S * 12/1998 Pearl D16/330
7,360,889 B2 * 4/2008 Yong 351/47
7,475,981 B2 * 1/2009 Yong 351/47

(76) Inventor: **Kent Bogle**, Forth Worth, TX (US)

(**) Term: **14 Years**

FOREIGN PATENT DOCUMENTS

CN 200720143236.6 4/2007

(21) Appl. No.: **29/402,071**

* cited by examiner

(22) Filed: **Sep. 20, 2011**

Primary Examiner — Raphael Barkai

(51) **LOC (9) Cl.** **16-06**

(74) *Attorney, Agent, or Firm* — Charles D. Gunter, Jr.

(52) **U.S. Cl.** **D16/330; D16/900**

(57) **CLAIM**

(58) **Field of Classification Search** D16/101,
D16/300–342, 900; D29/109–110; D24/110.2;
351/41, 44, 51–52, 62, 158, 92, 103–123,
351/140, 153, 45–46, 58; 2/426–432, 447–449,
2/441, 434–437, 13, 15; D21/483, 659–661;
D14/372

The ornamental design for an auxiliary clip-on for eyeglasses,
as shown and described.

See application file for complete search history.

DESCRIPTION

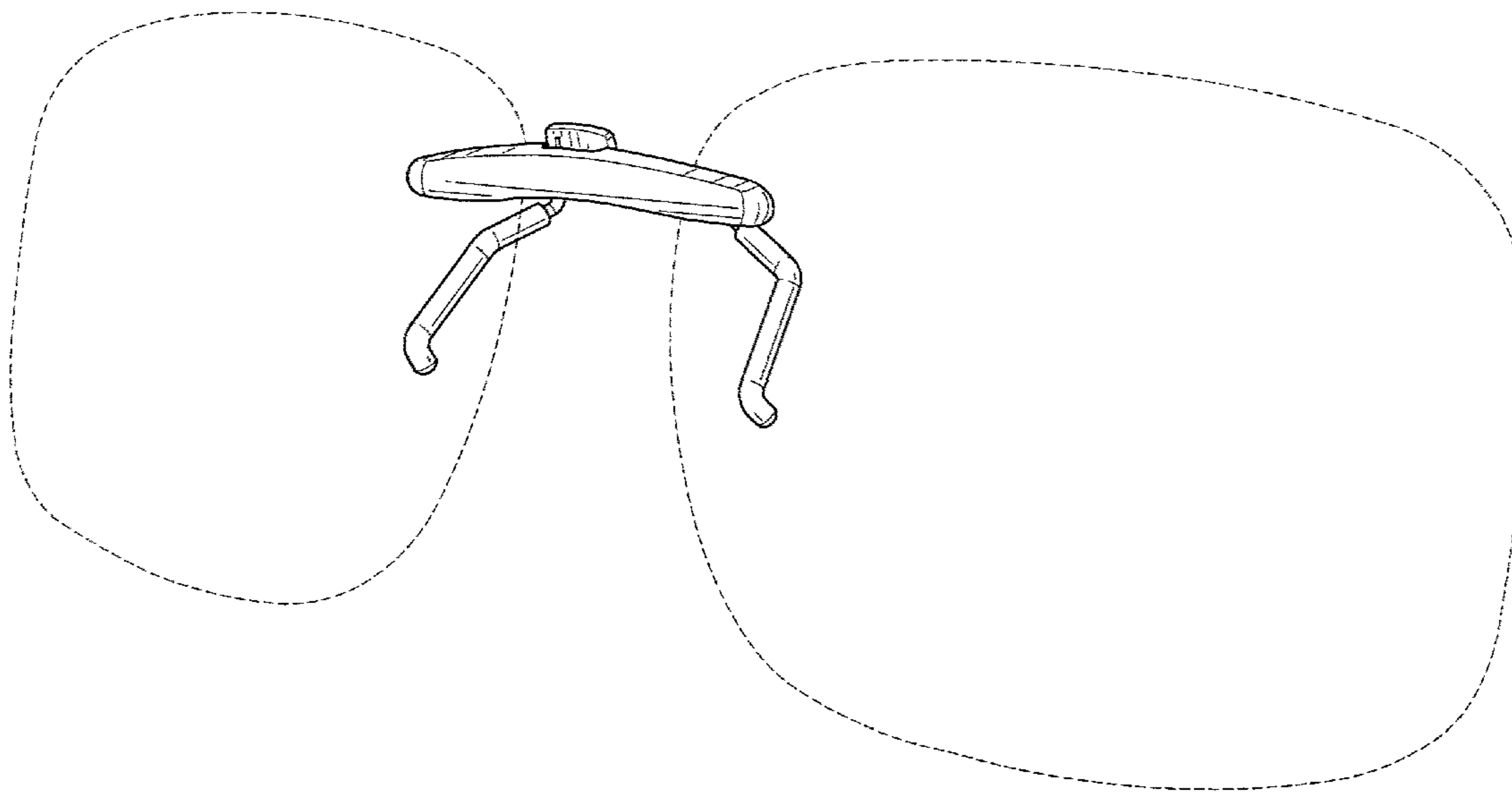
(56) **References Cited**

U.S. PATENT DOCUMENTS

2,953,968 A * 9/1960 Hoffmaster 351/58
D193,872 S * 10/1962 Petitto D16/316
D194,994 S * 4/1963 Ruano D16/315
D208,069 S * 7/1967 Boxer D16/316
3,414,350 A * 12/1968 McNeill 351/58
D301,250 S * 5/1989 Stephens D16/316
D363,078 S * 10/1995 Fukuda et al. D16/208

FIG. 1 is a side, perspective view of the auxiliary clip-on for eyeglasses of the present invention, with the lenses illustrated in phantom lines as not forming a part of the claimed design; FIG. 2 is a side, perspective view thereof without the lenses shown in FIG. 1; FIG. 3 is a front view thereof; FIG. 4 is a rear view thereof; FIG. 5 is a top view thereof; FIG. 6 is a bottom view thereof; and, FIG. 7 is a left side view thereof, the right side being a mirror image thereof.

1 Claim, 3 Drawing Sheets



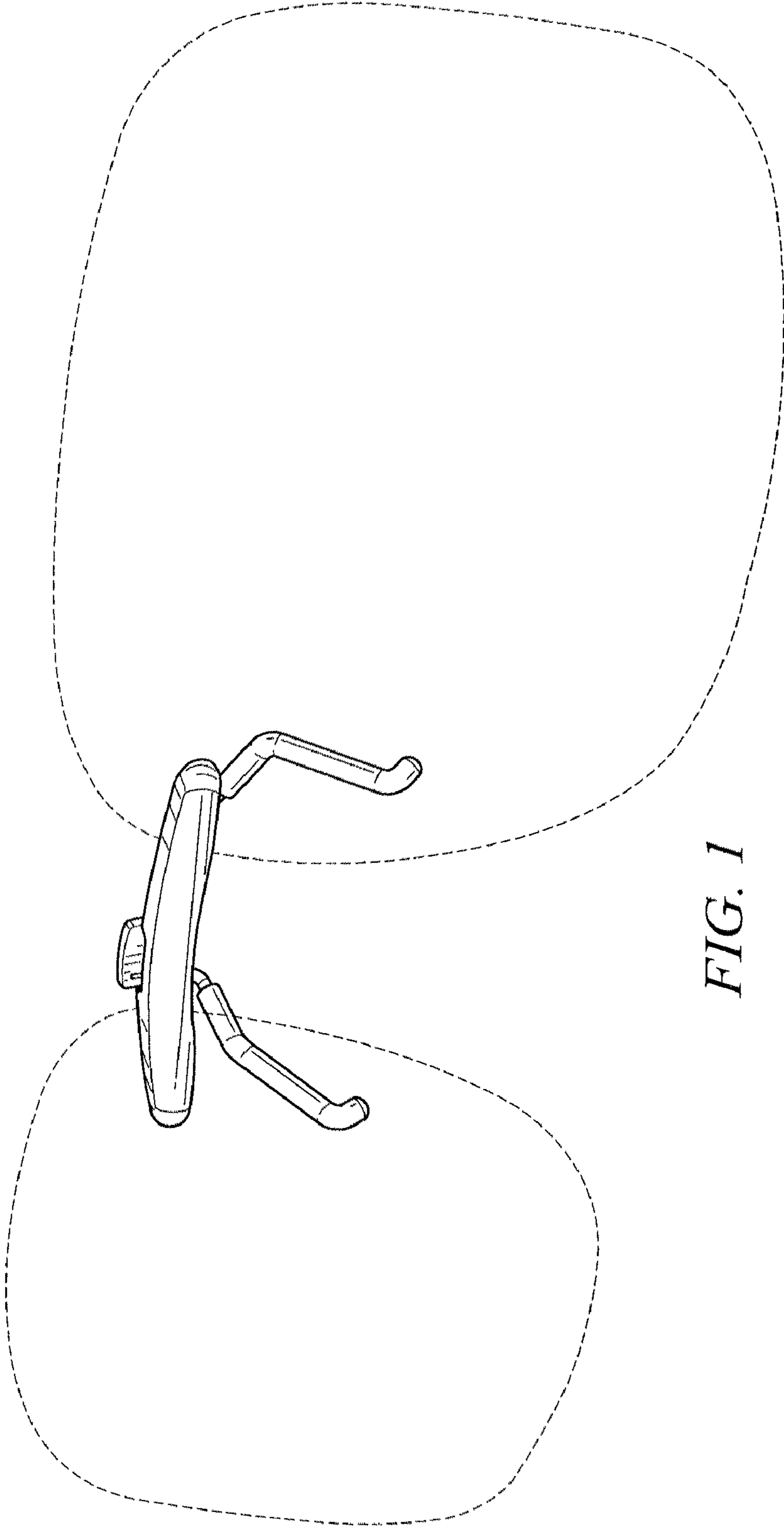


FIG. 1

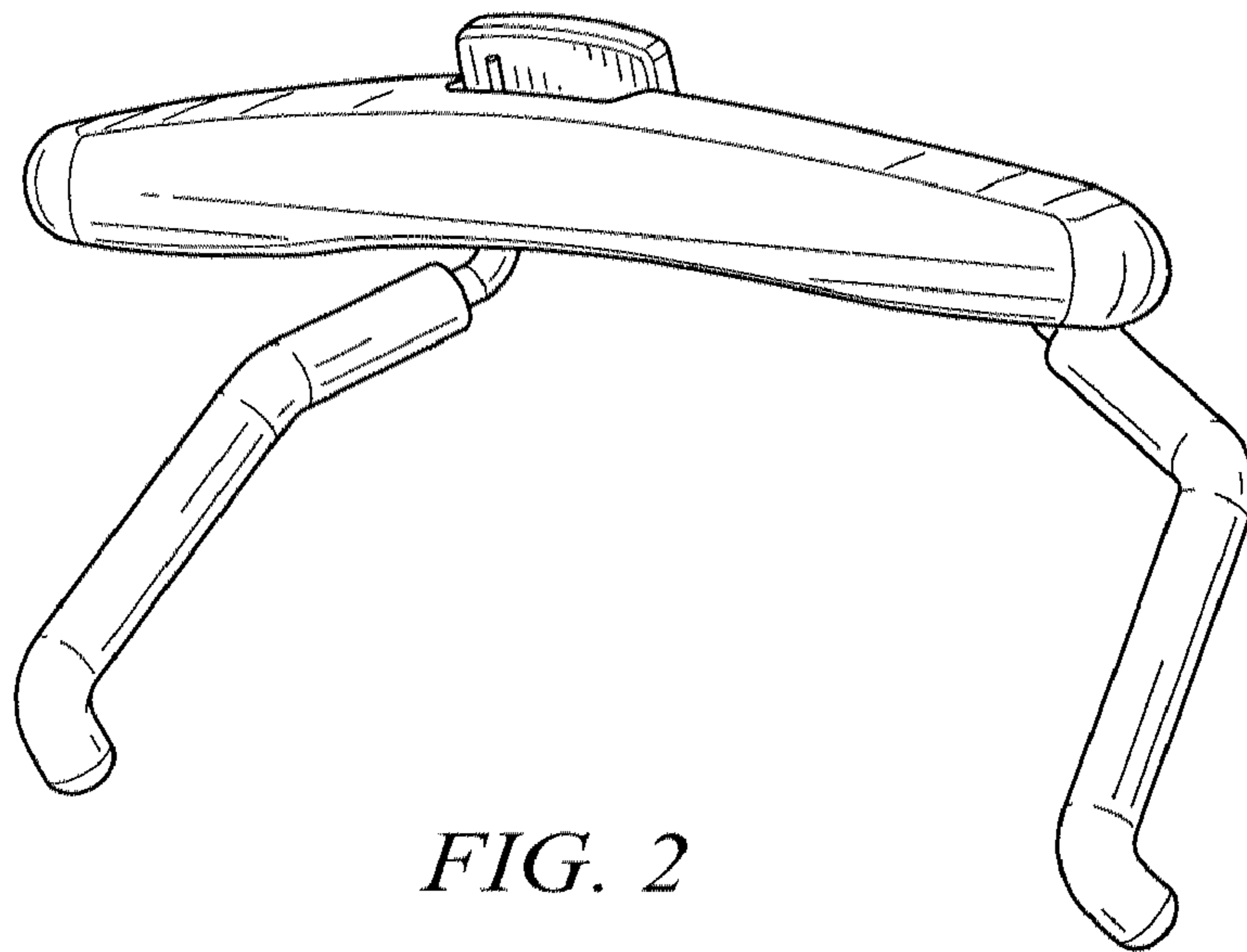


FIG. 2

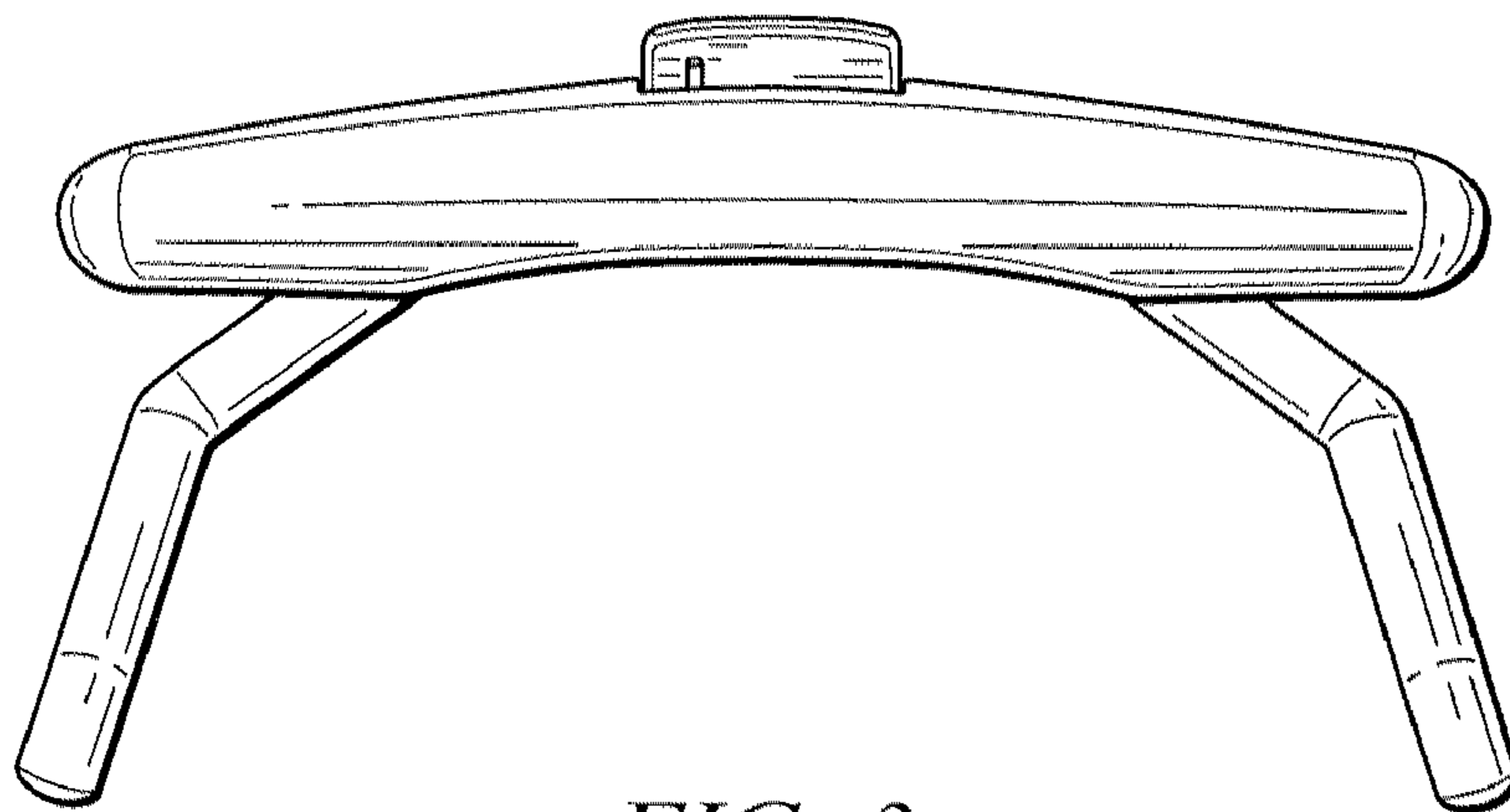


FIG. 3

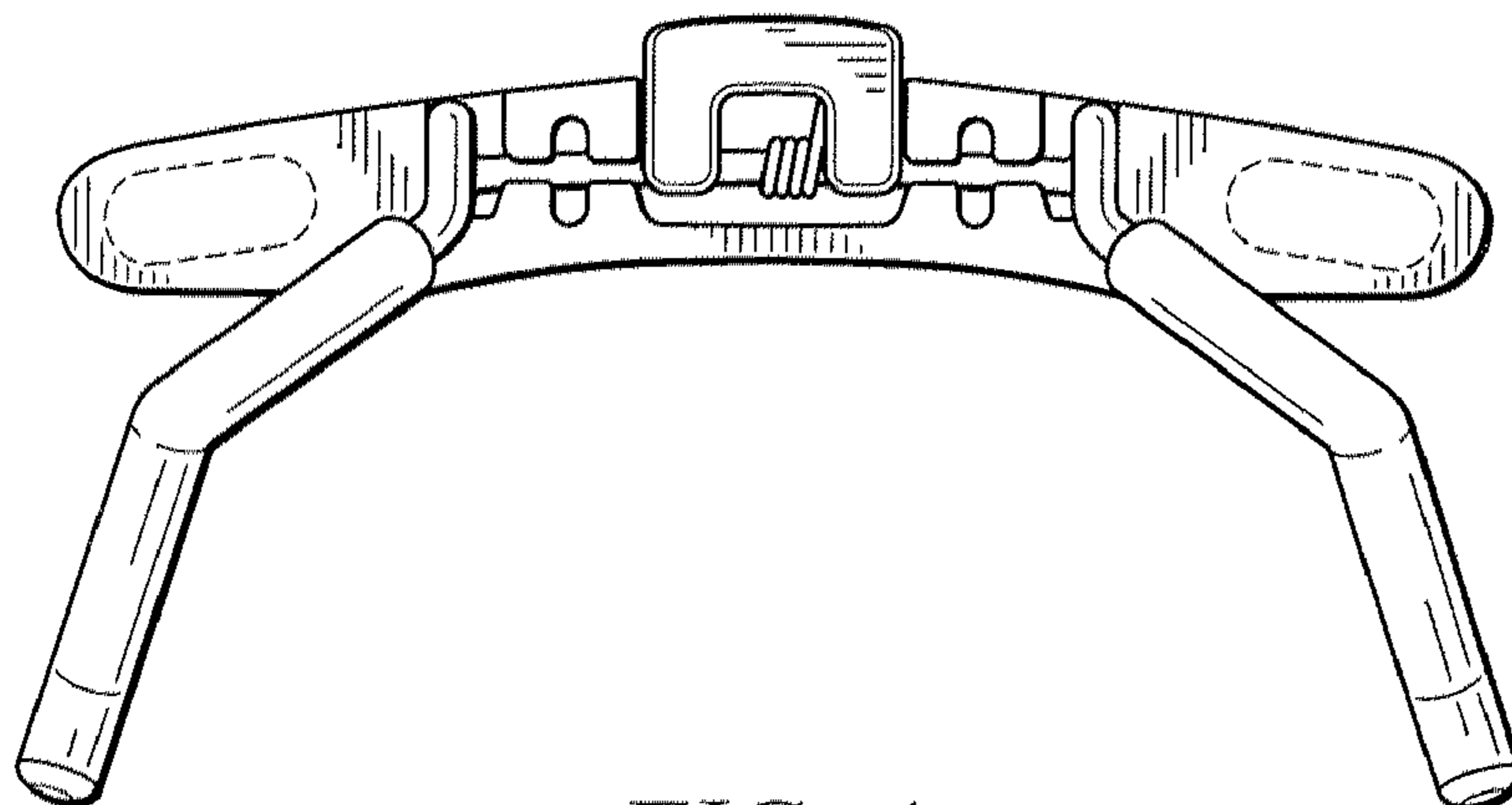


FIG. 4

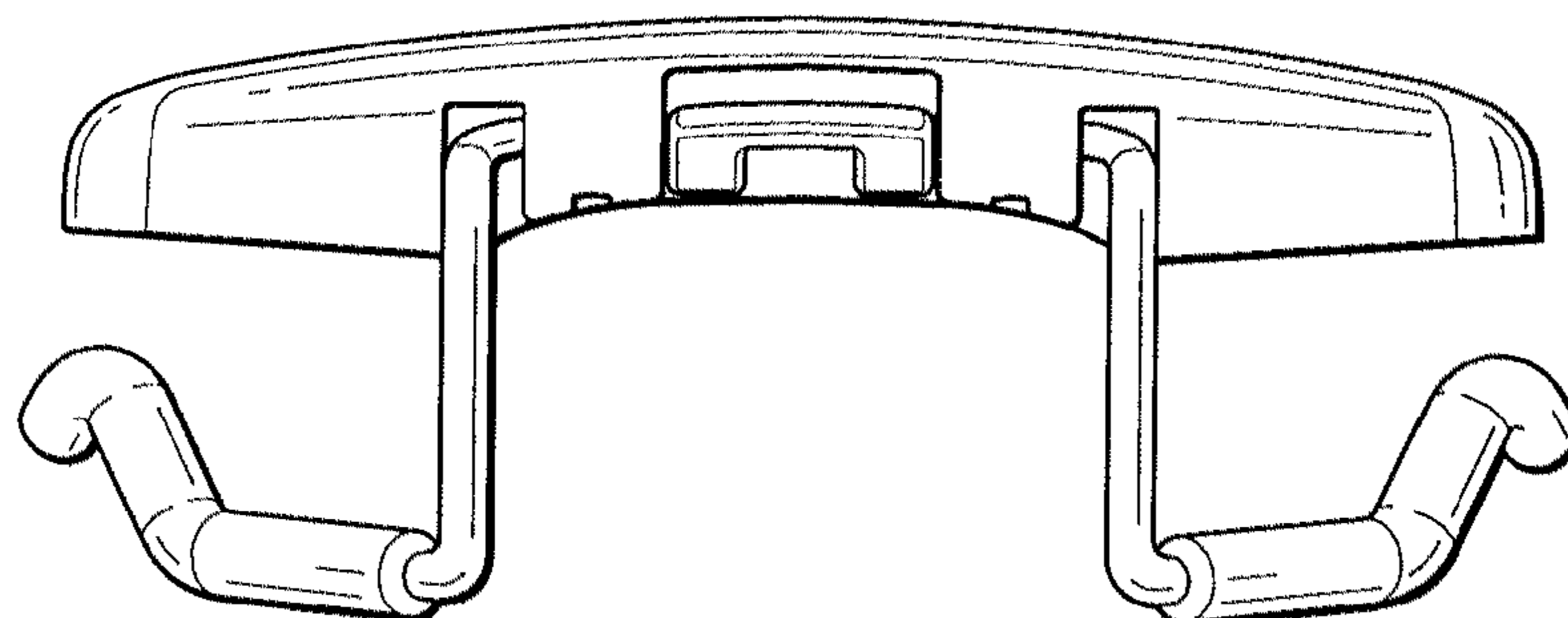


FIG. 5

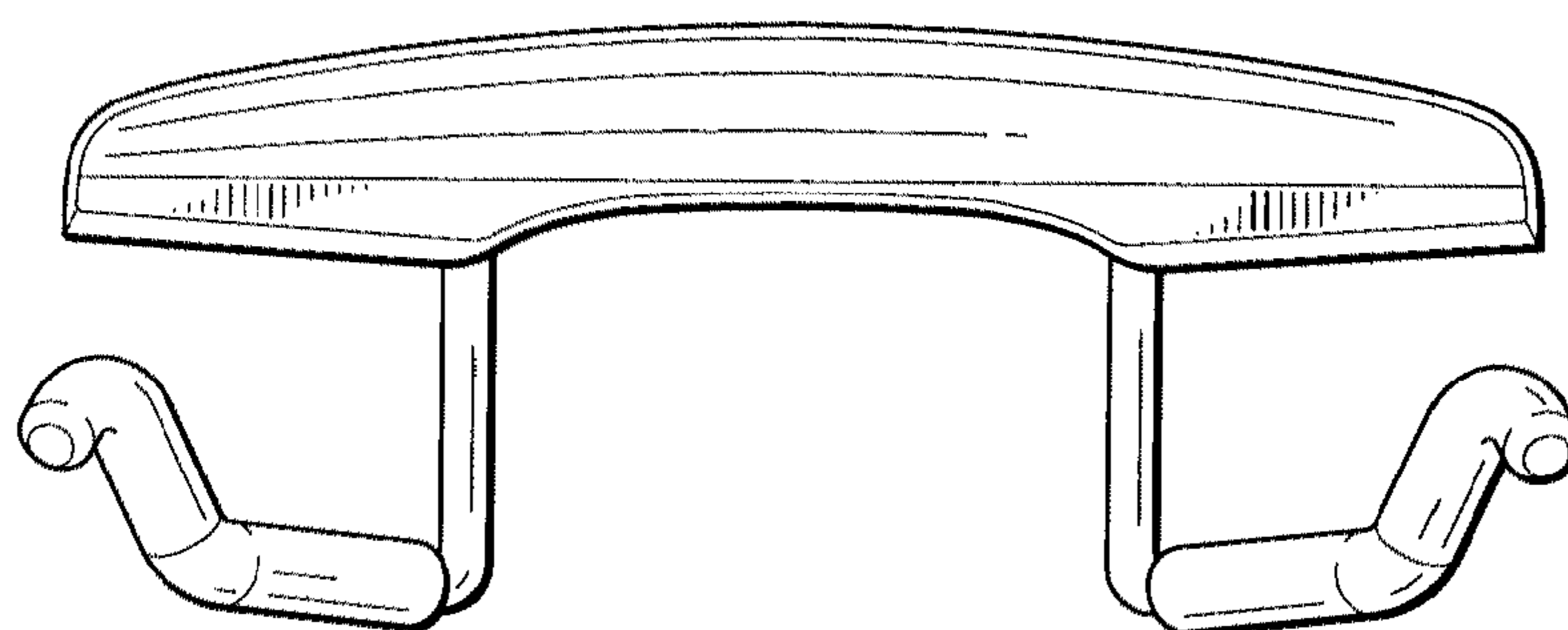


FIG. 6

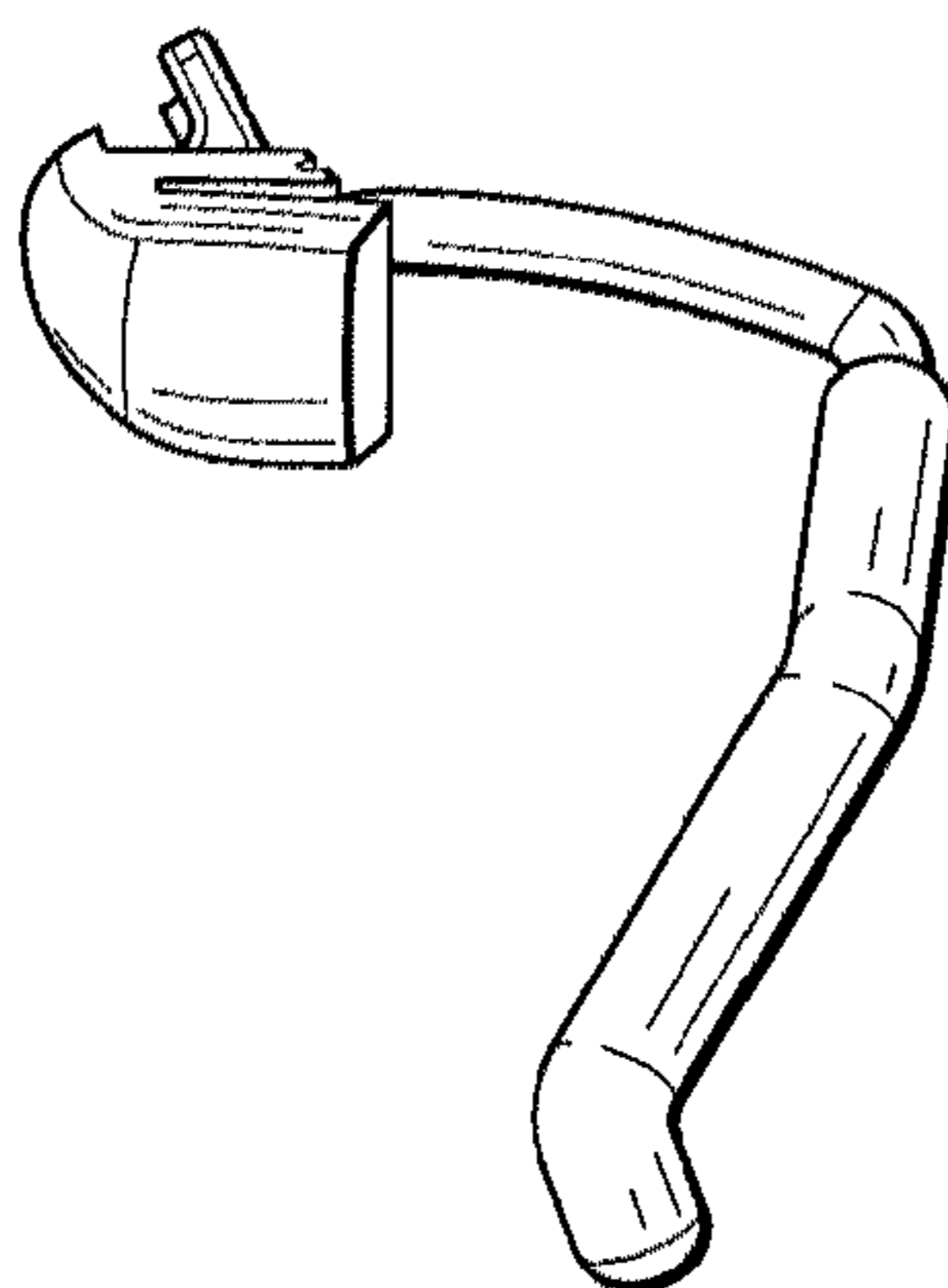


FIG. 7